

US00D878325S

(12) **United States Design Patent**
Paterson et al.

(10) **Patent No.:** **US D878,325 S**
(45) **Date of Patent:** **** Mar. 17, 2020**

(54) **ELECTRONIC INPUT DEVICE**

(71) Applicant: **Amazon Technologies, Inc.**, Seattle, WA (US)

(72) Inventors: **Michael Edward James Paterson**, San Francisco, CA (US); **Giles David Matthew McWilliam**, San Francisco, CA (US); **Marc Rene Walliser**, San Francisco, CA (US)

(73) Assignee: **Amazon Technologies, Inc.**, Seattle, WA (US)

(**) Term: **15 Years**

(21) Appl. No.: **29/644,671**

(22) Filed: **Apr. 19, 2018**

(51) **LOC (12) Cl.** **14-03**

(52) **U.S. Cl.**
USPC **D14/203.1**; D14/496; D14/228; D14/357

(58) **Field of Classification Search**

USPC D14/240, 242, 358, 351, 356, 357, 125, D14/155, 162, 167, 168, 172, 175, 188, D14/195, 203.1, 203.6, 203.8, 204, 209.1, D14/216, 217, 218, 228, 299, 496, 140, D14/142, 388, 238.1; D13/123, 124, 152, D13/158, 162, 162.1, 168, 173, 184, 199
CPC . G06F 3/16; G06F 3/162; G06F 3/165; G06F 3/167; G10L 15/07

See application file for complete search history.

(56) **References Cited**

U.S. PATENT DOCUMENTS

D327,690 S * 7/1992 Ogawa D14/230
D337,588 S * 7/1993 Cruz D14/218
D367,274 S * 2/1996 Gobindram D14/143
D381,013 S * 7/1997 Allana D14/408
D391,943 S * 3/1998 Han D14/356

D391,944 S * 3/1998 Han D14/356
D425,504 S * 5/2000 Woodring D14/154
D433,004 S * 10/2000 Woodring D14/154

(Continued)

OTHER PUBLICATIONS

Echo Input_Bring Alexa to your own speaker. amazon.com. (online) 10 pgs. Earliest Review: Dec. 17, 2018. [Retrieved on Jul. 22, 2019] <https://www.amazon.com/Echo-Input-Bring-Alexa-speaker/dp/B07BFRHZLB>.*

(Continued)

Primary Examiner — Marie D. Fast Horse

(74) *Attorney, Agent, or Firm* — Lee & Hayes, P.C.

(57) **CLAIM**

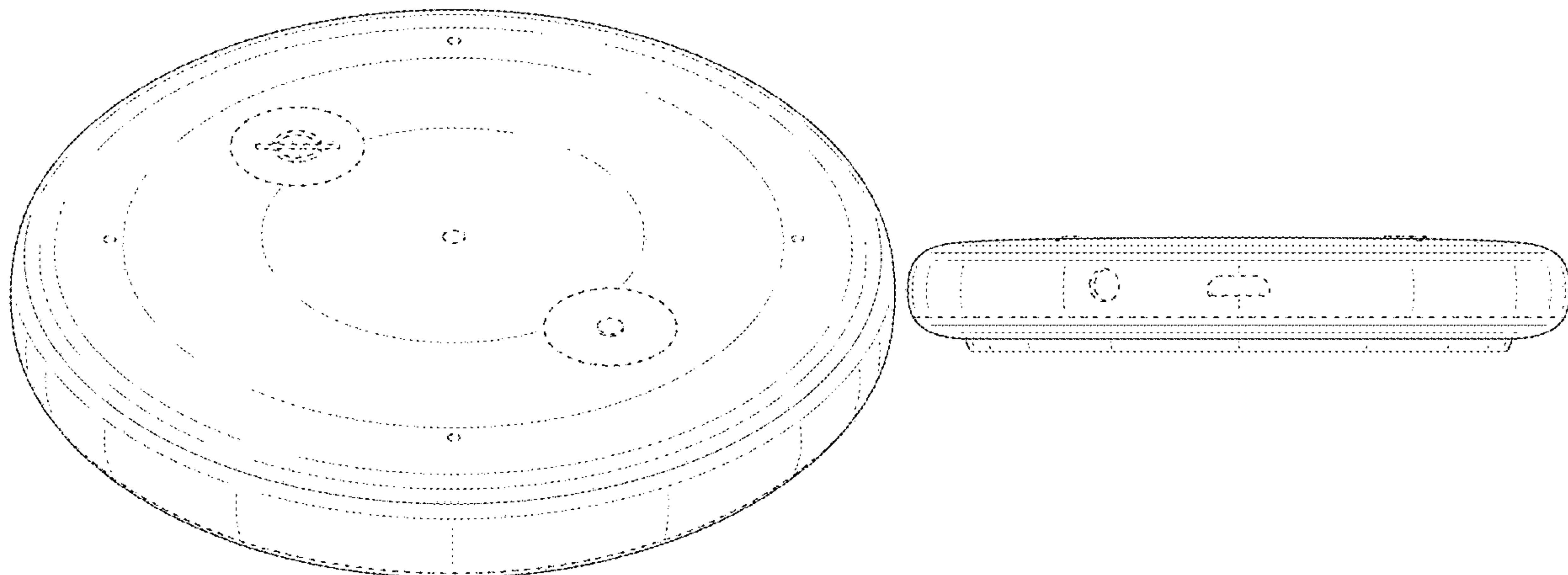
The ornamental design for an electronic input device, as shown and described.

DESCRIPTION

FIG. 1 is a front perspective view of a first embodiment of an electronic input device;
FIG. 2 is a back perspective view thereof;
FIG. 3 is a front view thereof;
FIG. 4 is a back view thereof;
FIG. 5 is a left-side view thereof;
FIG. 6 is a right-side view thereof;
FIG. 7 is a top view thereof;
FIG. 8 is a bottom view thereof;
FIG. 9 is a front perspective view of a second embodiment of an electronic input device;
FIG. 10 is a back perspective view thereof;
FIG. 11 is a front view thereof;
FIG. 12 is a back view thereof;
FIG. 13 is a left-side view thereof;
FIG. 14 is a right-side view thereof;
FIG. 15 is a top view thereof; and,
FIG. 16 is a bottom view thereof.

The broken lines depict portions of the electronic input device that form no part of the claimed design.

1 Claim, 16 Drawing Sheets



(56)

References Cited

U.S. PATENT DOCUMENTS

D433,994 S * 11/2000 Jobs D13/110
 D515,516 S * 2/2006 Mayo D13/171
 D518,030 S * 3/2006 Lin D14/218
 D568,304 S * 5/2008 Park D14/357
 D595,734 S * 7/2009 Son D14/203.2
 D598,003 S * 8/2009 Park D14/149
 D601,564 S * 10/2009 Maeno D14/400
 D602,915 S * 10/2009 Song D14/218
 D607,347 S * 1/2010 Goh D10/46
 D612,361 S * 3/2010 Wright D14/203.1
 D619,117 S * 7/2010 Unruh D14/203.6
 D626,147 S * 10/2010 Goddard D14/496
 D627,306 S * 11/2010 Charleux D13/168
 D636,760 S * 4/2011 Cheng D14/216
 D643,412 S * 8/2011 Brady D14/218
 D645,473 S * 9/2011 Dangerfield D14/203.3
 D645,818 S * 9/2011 Guccione D13/108
 D683,636 S * 6/2013 Levanen D10/70
 D685,790 S * 7/2013 Tang D14/218
 D686,187 S * 7/2013 Dangerfield D14/203.6
 D691,118 S * 10/2013 Ingham D14/218
 D696,298 S * 12/2013 Britt, Jr. D14/496
 D698,338 S * 1/2014 Ingham D14/218
 D731,334 S * 6/2015 Fiedler D10/70
 D737,250 S * 8/2015 Ingham D14/218
 D743,819 S * 11/2015 Golnik D10/70
 D743,954 S * 11/2015 Chuang D13/168
 D746,165 S * 12/2015 Li D13/168
 D746,166 S * 12/2015 Li D13/168
 D747,984 S * 1/2016 Zhao D10/52
 D751,052 S * 3/2016 Jones D14/203.6
 D752,531 S * 3/2016 Xu D14/125
 D752,588 S * 3/2016 Li D14/385
 D755,750 S * 5/2016 Chen D14/172
 D756,955 S * 5/2016 Wagner D14/203.6
 D757,587 S * 5/2016 Li D10/106.6
 D761,139 S * 7/2016 Golnik D10/103
 D761,676 S * 7/2016 Golnik D10/103
 D768,114 S * 10/2016 Hou D13/168
 D768,631 S * 10/2016 Epstein D14/388
 D770,417 S * 11/2016 Chen D14/216
 D770,430 S * 11/2016 Lee D14/240
 D771,142 S * 11/2016 Langhammer D14/203.6
 D771,600 S * 11/2016 Hinokio D14/228
 D773,947 S * 12/2016 Scarcella D10/104.1
 D776,640 S * 1/2017 Simonian D14/218
 D778,875 S * 2/2017 Lukic D14/216
 D778,878 S * 2/2017 de Vaal D14/218
 D781,919 S * 3/2017 Beck D14/496
 D786,724 S * 5/2017 Seagle, Jr. D10/106.1

D788,820 S * 6/2017 Beck D14/203.6
 D792,468 S * 7/2017 Langhammer D14/203.3
 D797,149 S * 9/2017 Beck D14/203.6
 D797,807 S * 9/2017 Mangum D14/496
 D802,589 S * 11/2017 Fisher D14/358
 D804,531 S * 12/2017 Beck D14/496
 D804,533 S * 12/2017 Mangum D14/496
 D805,926 S * 12/2017 Im D10/57
 D806,711 S * 1/2018 Sakaguchi D14/388
 D809,951 S * 2/2018 Yang D10/104.1
 D815,149 S * 4/2018 Langhammer D14/496
 D816,046 S * 4/2018 Kiong D13/162
 D816,052 S * 4/2018 Pallakoff D14/137
 D818,849 S * 5/2018 Copparstad D10/50
 D818,853 S * 5/2018 Golnik D10/70
 D820,238 S * 6/2018 Boshemitzan D14/218
 D820,318 S * 6/2018 Mullins D14/496
 D822,717 S * 7/2018 Lim D14/496
 D826,205 S * 8/2018 Langhammer D14/203.6
 D829,242 S * 9/2018 Laine D14/496
 D830,327 S * 10/2018 Jones D14/155
 D830,968 S * 10/2018 Wang D13/107
 D834,560 S * 11/2018 Hardi D14/218
 D834,567 S * 11/2018 Snyder D14/228
 D843,238 S * 3/2019 Rose D10/50
 D844,593 S * 4/2019 Bould D14/240
 D844,608 S * 4/2019 Chen D14/388
 D848,398 S * 5/2019 Huang D14/216
 D848,406 S * 5/2019 Pera D14/242
 D854,168 S * 7/2019 He D24/187
 D855,040 S * 7/2019 Fu D14/242
 D855,583 S * 8/2019 Capecelatro D14/216
 D855,595 S * 8/2019 Yang D14/242
 D858,499 S * 9/2019 Yang D14/242
 D859,363 S * 9/2019 Chalabi D14/216
 D859,364 S * 9/2019 Chalabi D14/216
 D860,198 S * 9/2019 Engwall D14/356
 D862,417 S * 10/2019 Chalabi D14/216
 D864,163 S * 10/2019 Lindof D14/217

OTHER PUBLICATIONS

Ankers new Alexa smart speaker is a dirt-cheap Echo Dot. cnet.com. (online) 6 pgs. Posted: August 9, 2017. [Retrieved on Jul. 22, 2019] <https://www.cnet.com/reviews/eufy-genie-preview/>.
 Indian Office Action dated Nov. 13, 2018 for Indian design application No. 311184, a counterpart foreign application of design U.S. Appl. No. 29/644,671, 2 pages.
 Canadian Office Action dated on Jul. 3, 2019 for Canadian Patent Application No. 183896, 1 page.

* cited by examiner

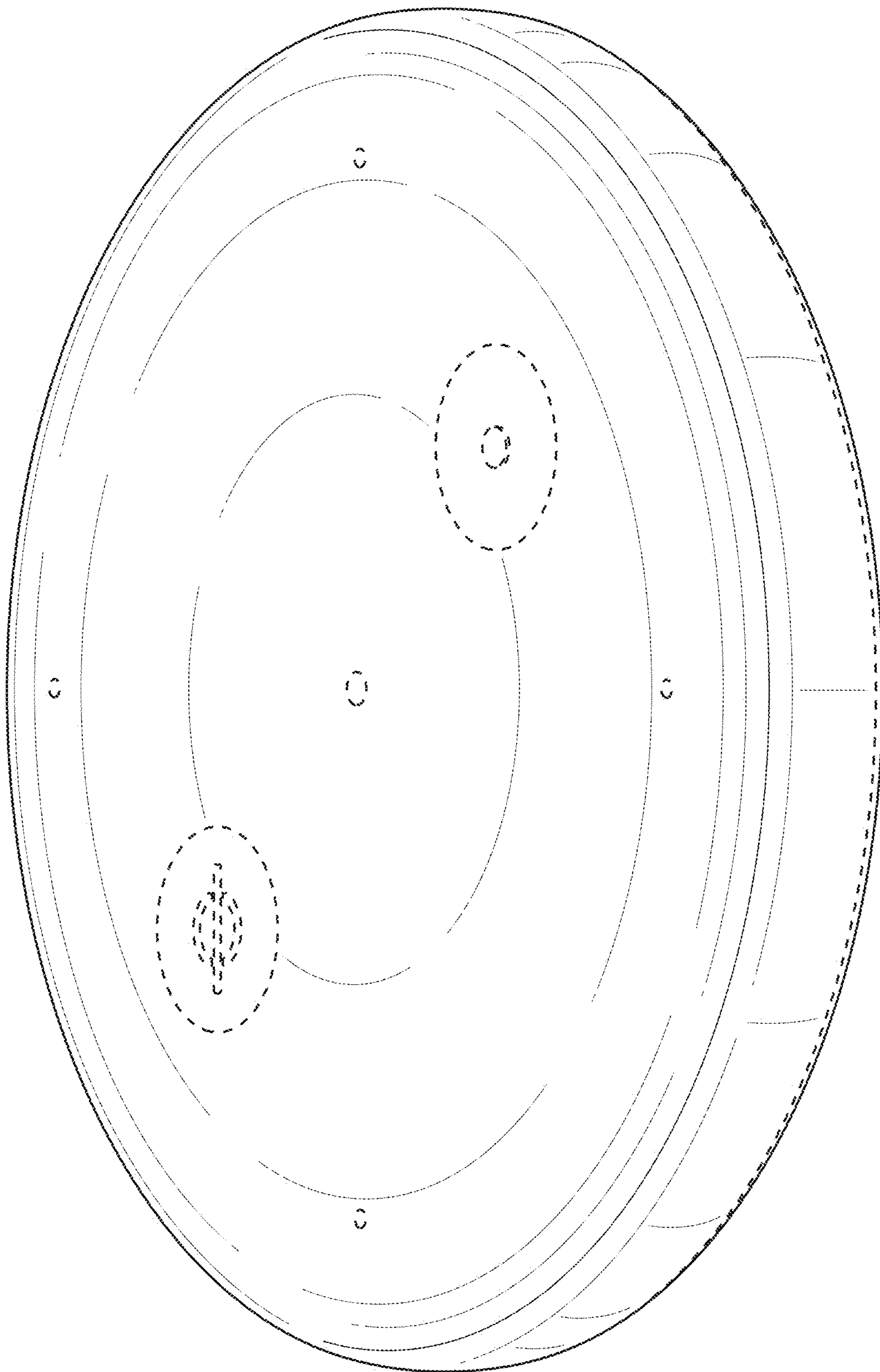


FIG. 1

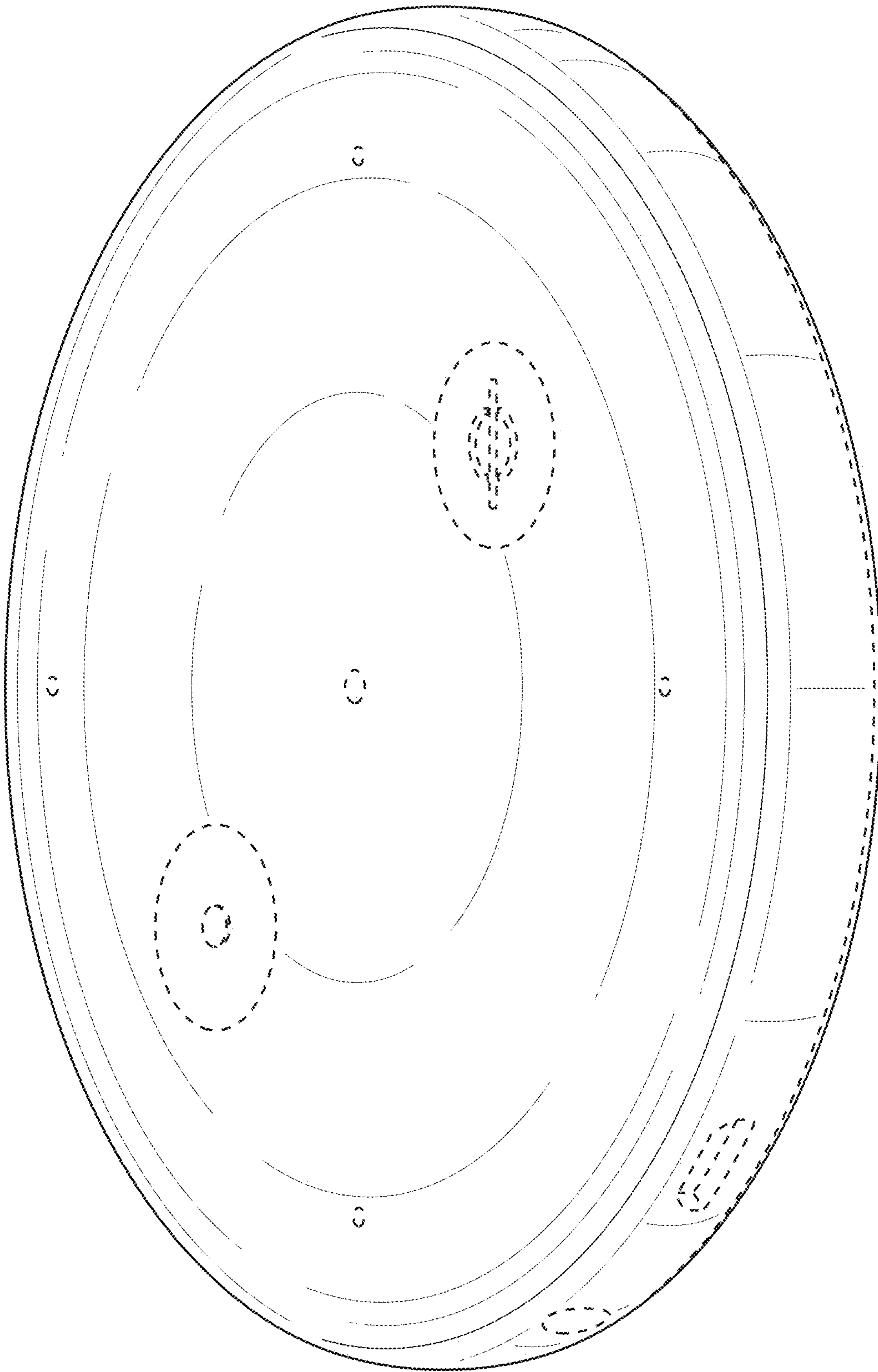


FIG. 2

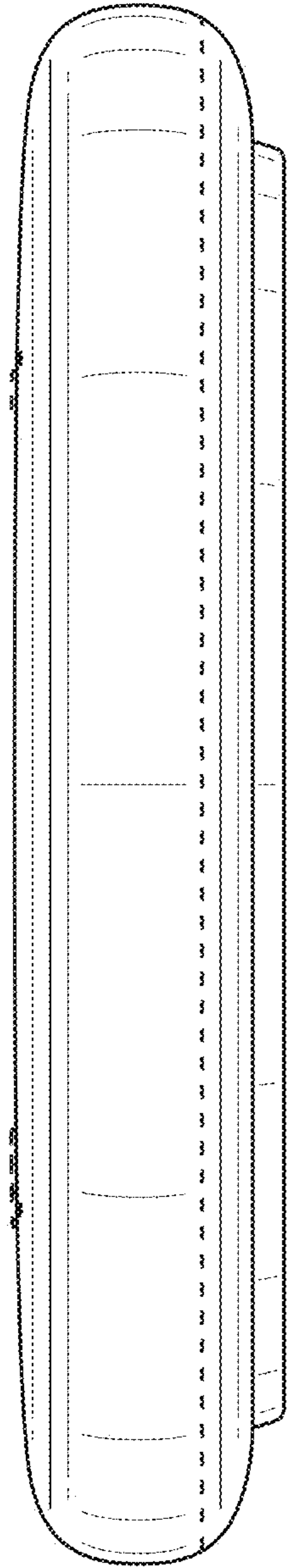


FIG. 3

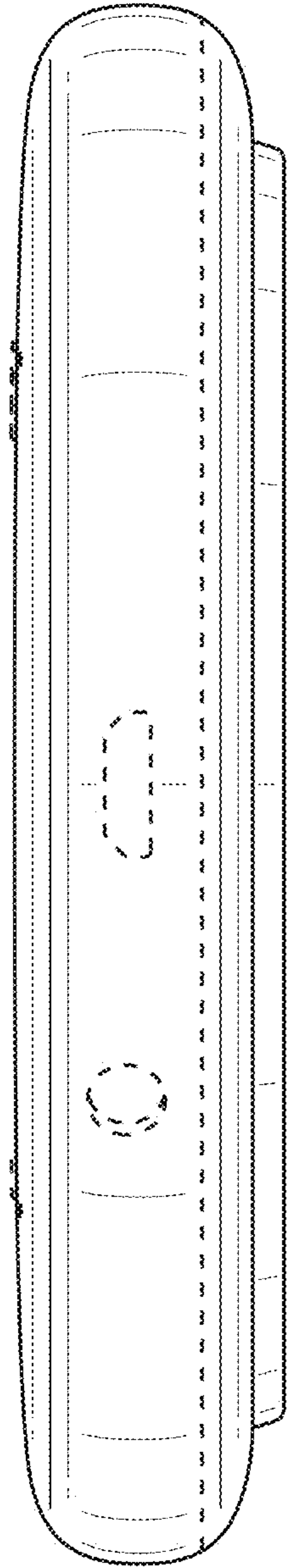


FIG. 4

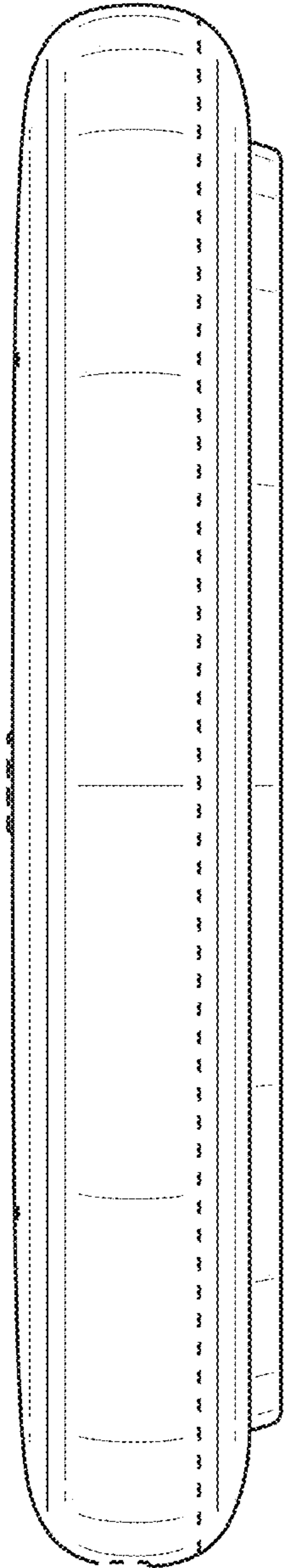


FIG. 5

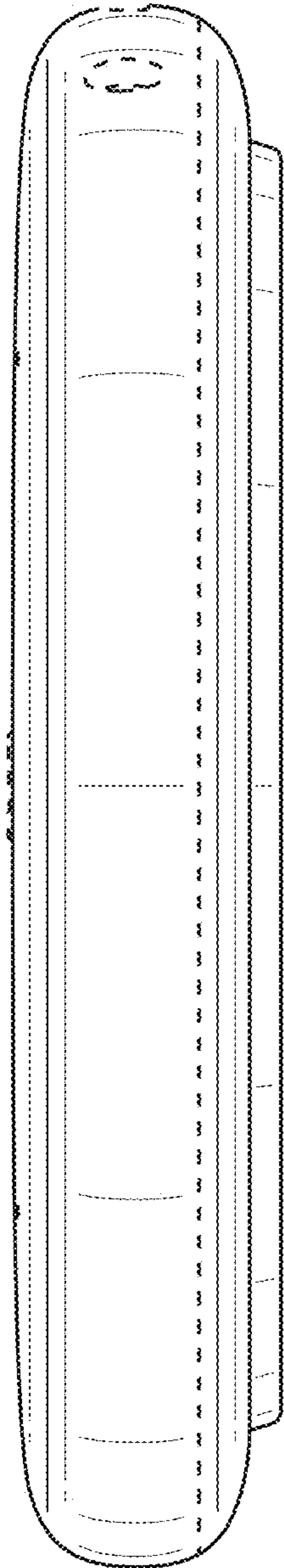


FIG. 6

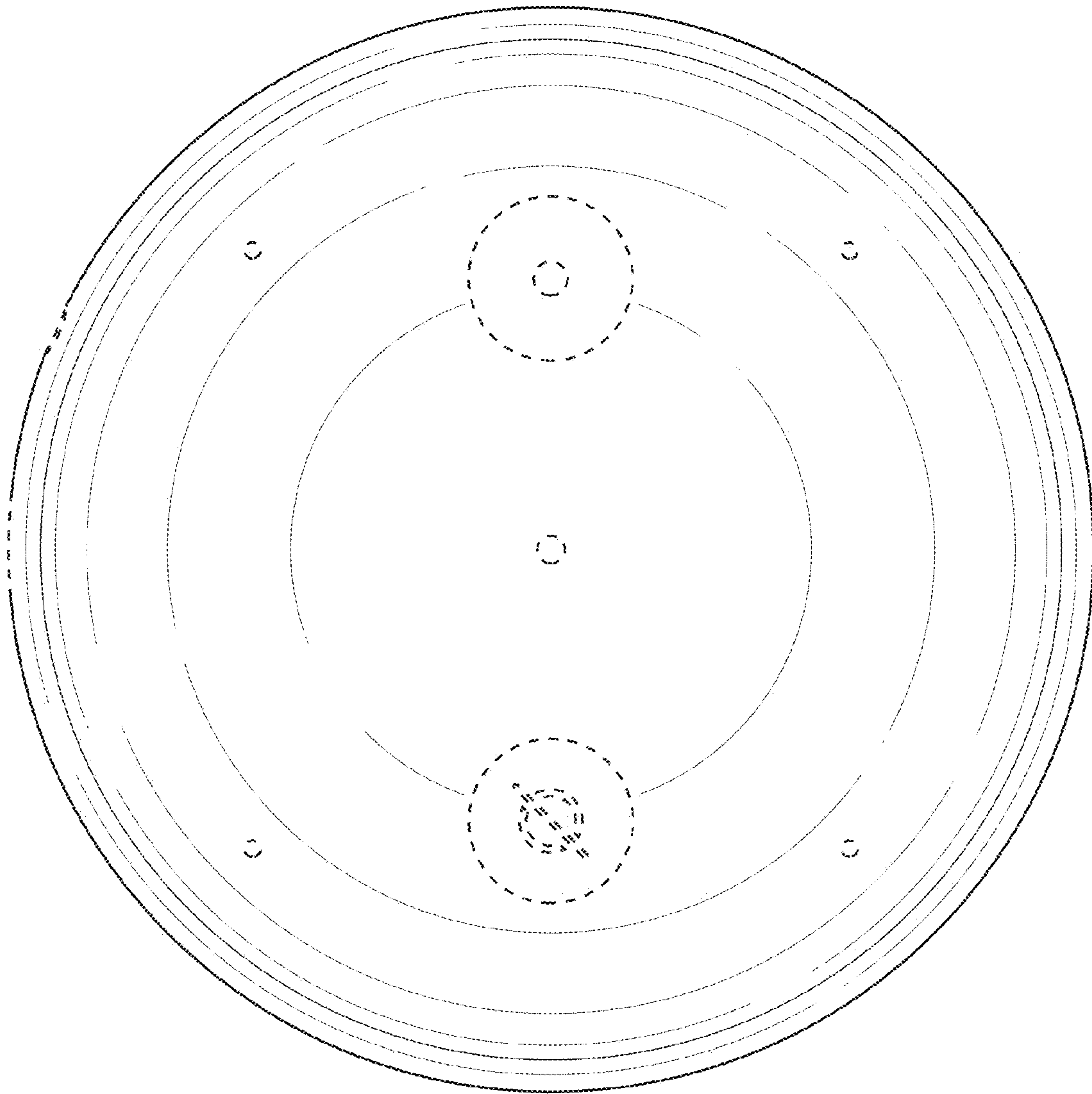


FIG. 7

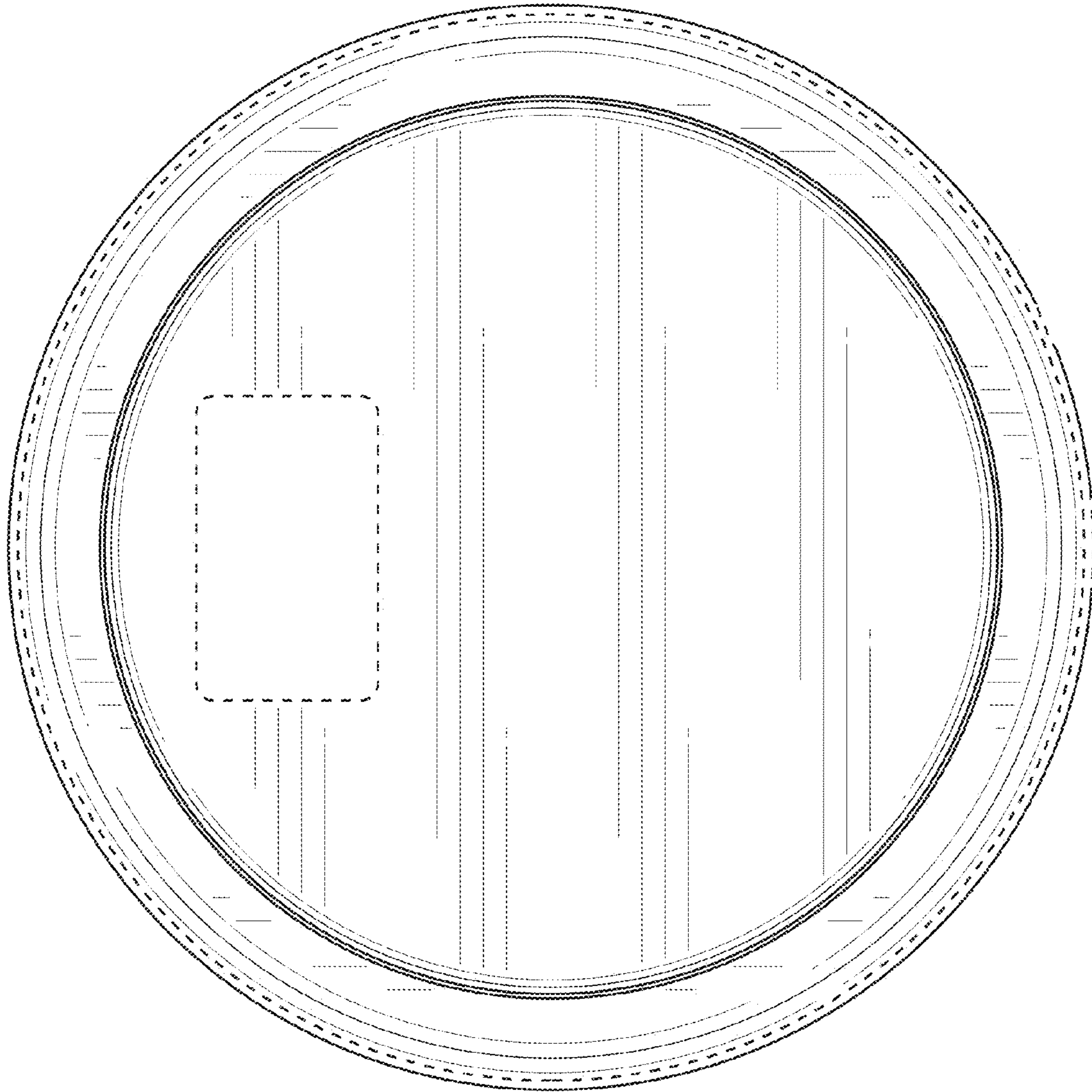


FIG. 8

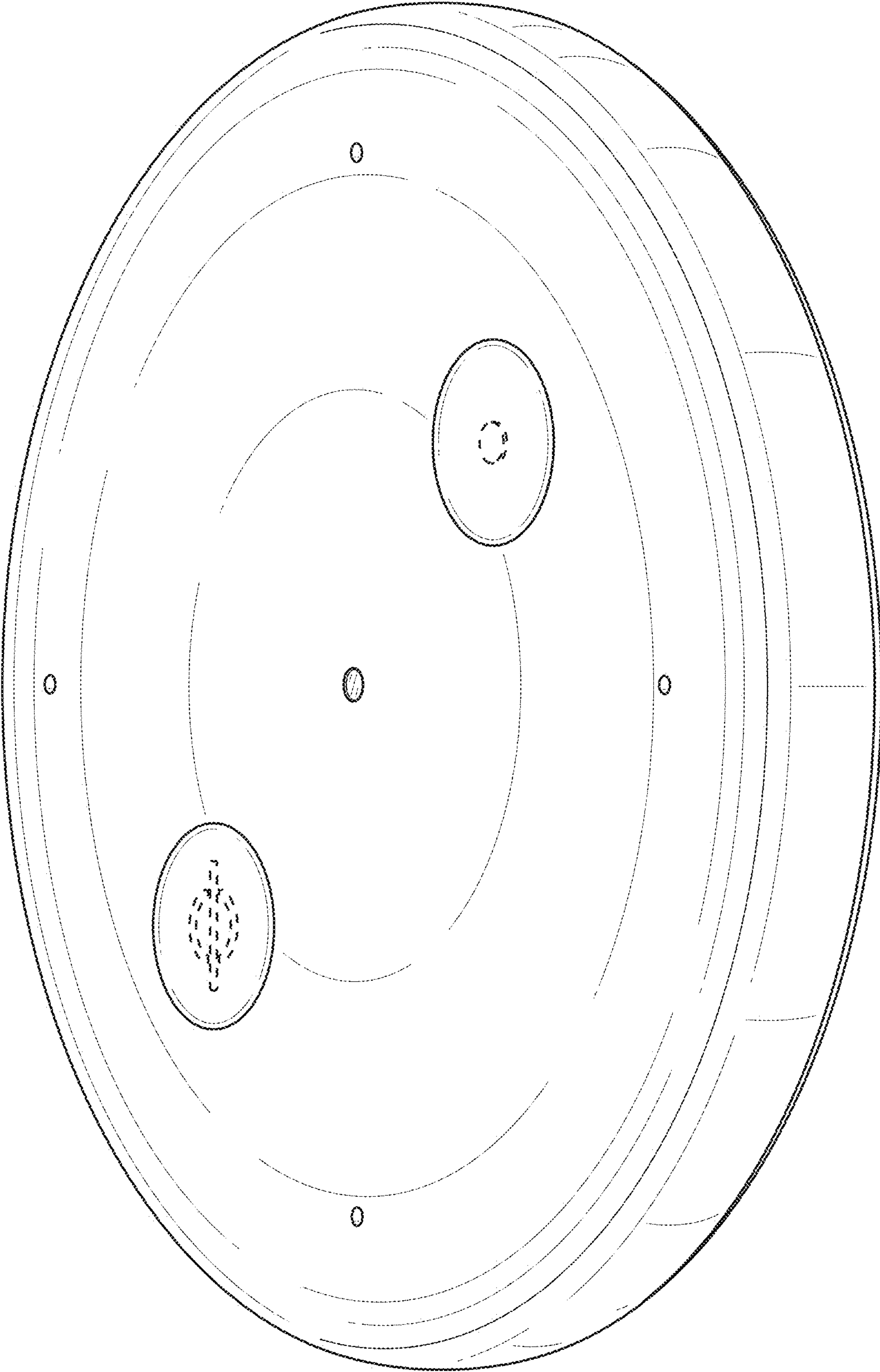


FIG. 9

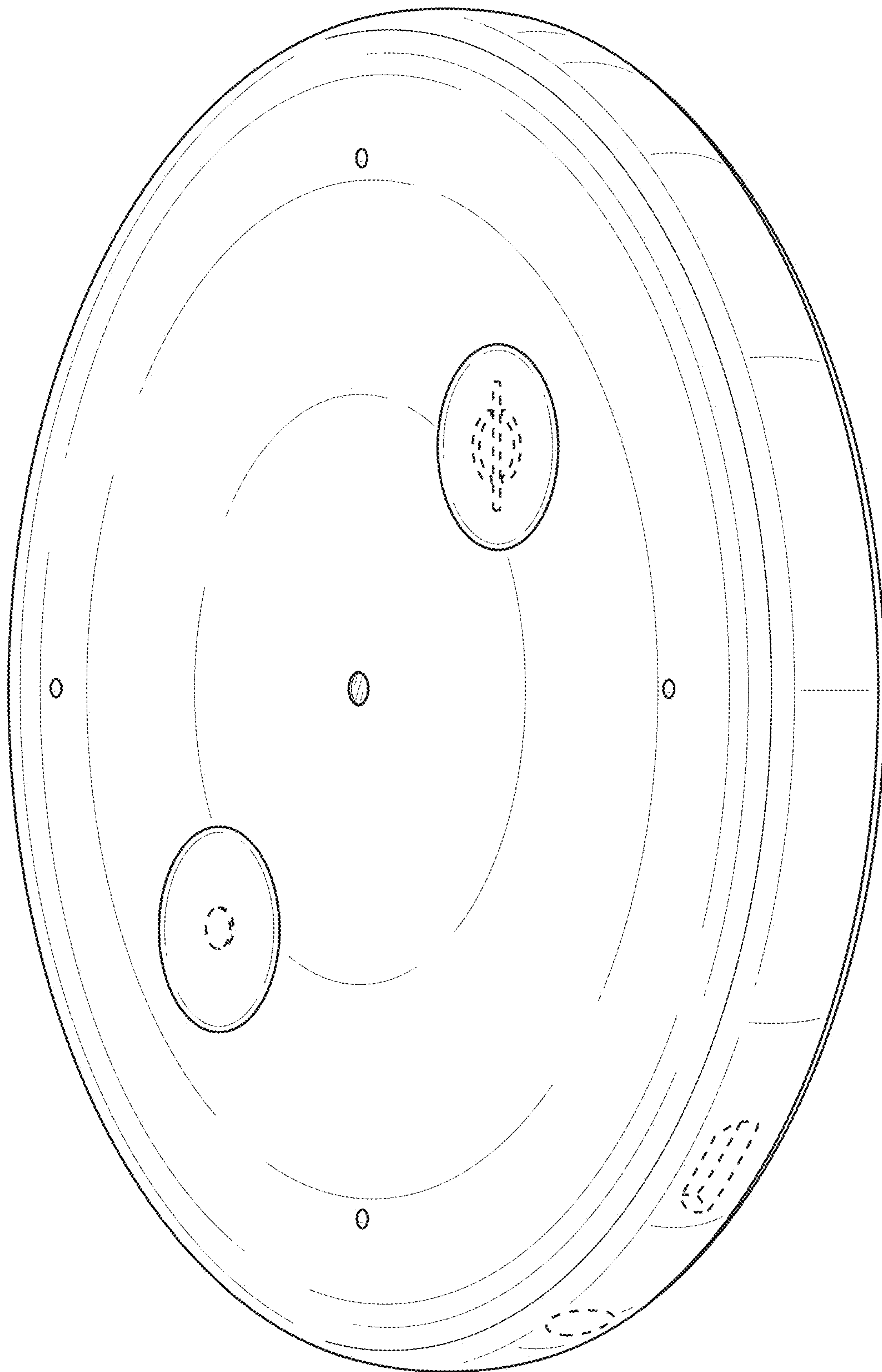


FIG. 10

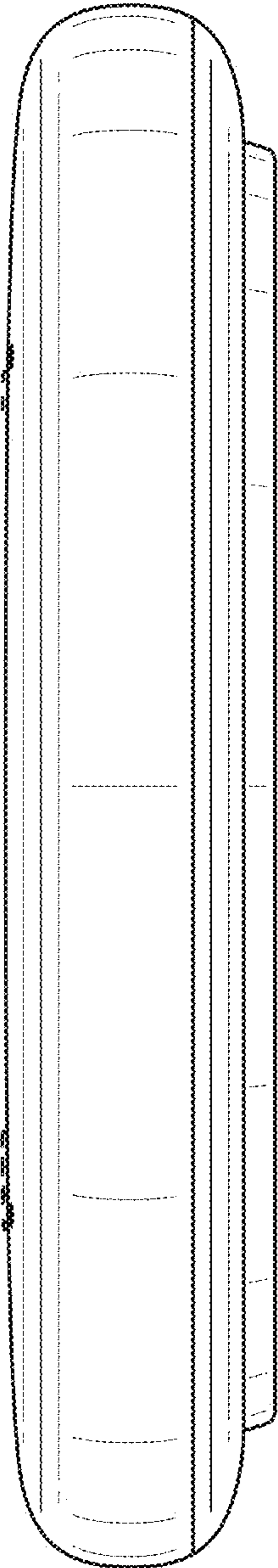


FIG. 11

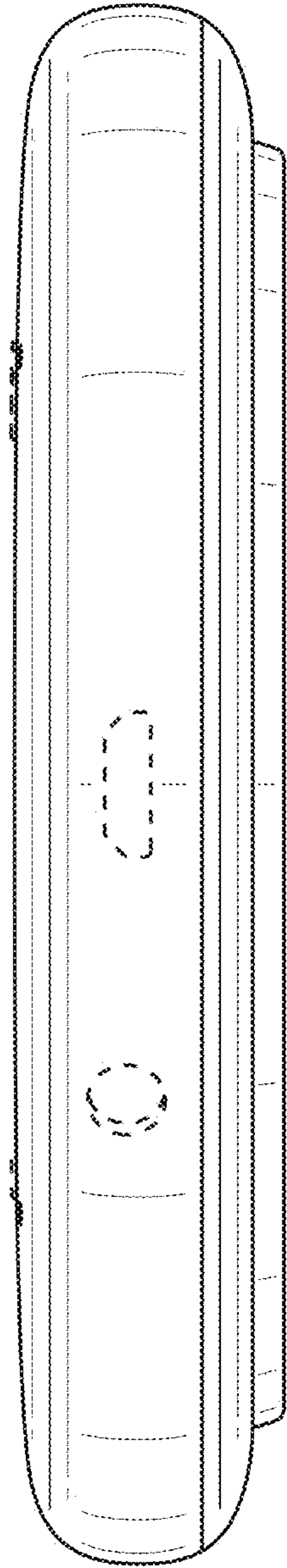


FIG. 12

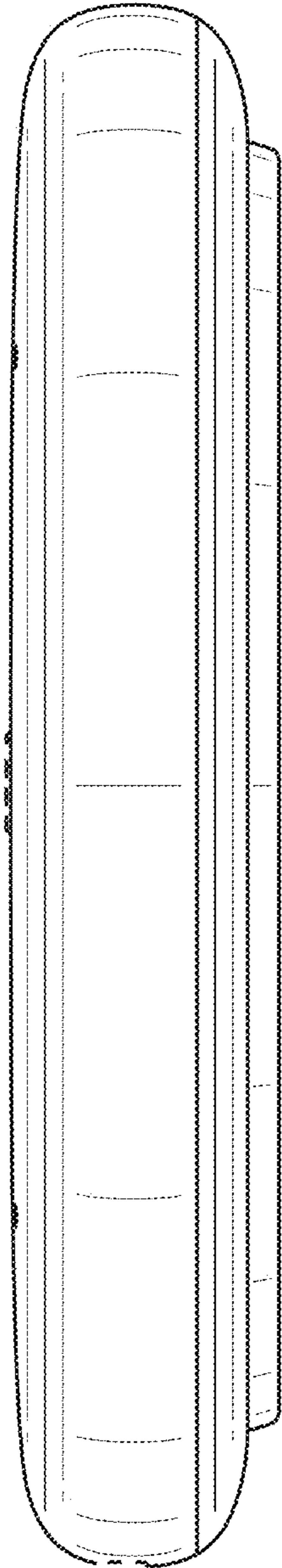


FIG. 13

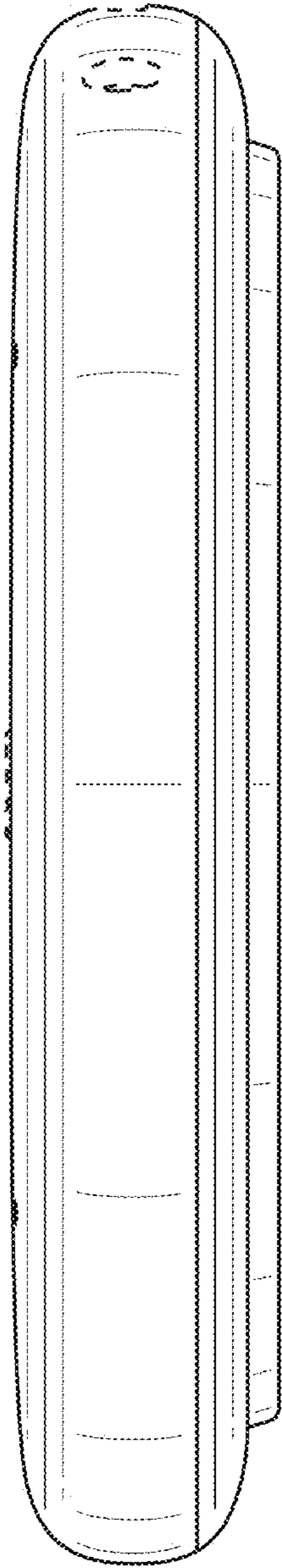


FIG. 14

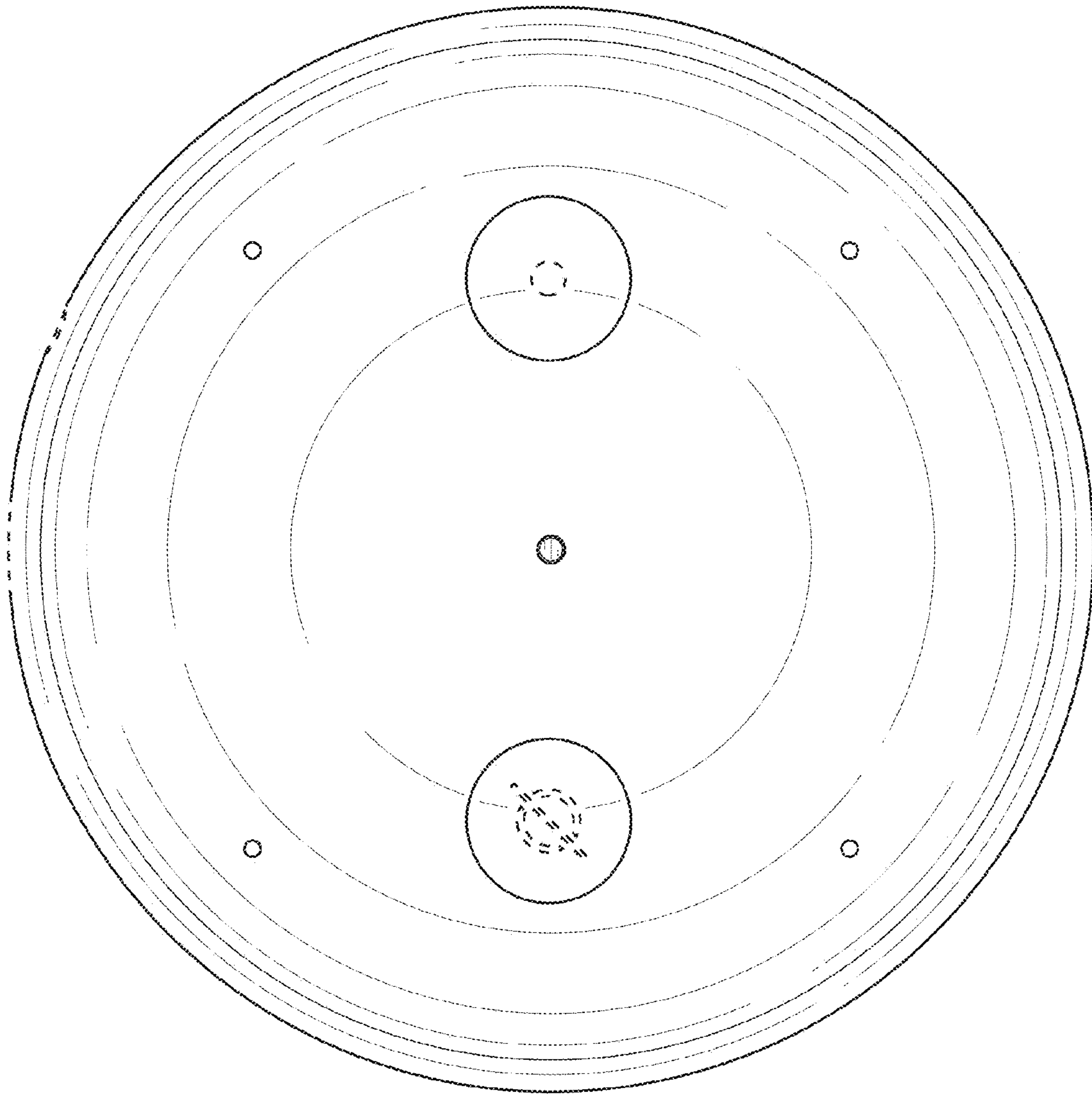


FIG. 15

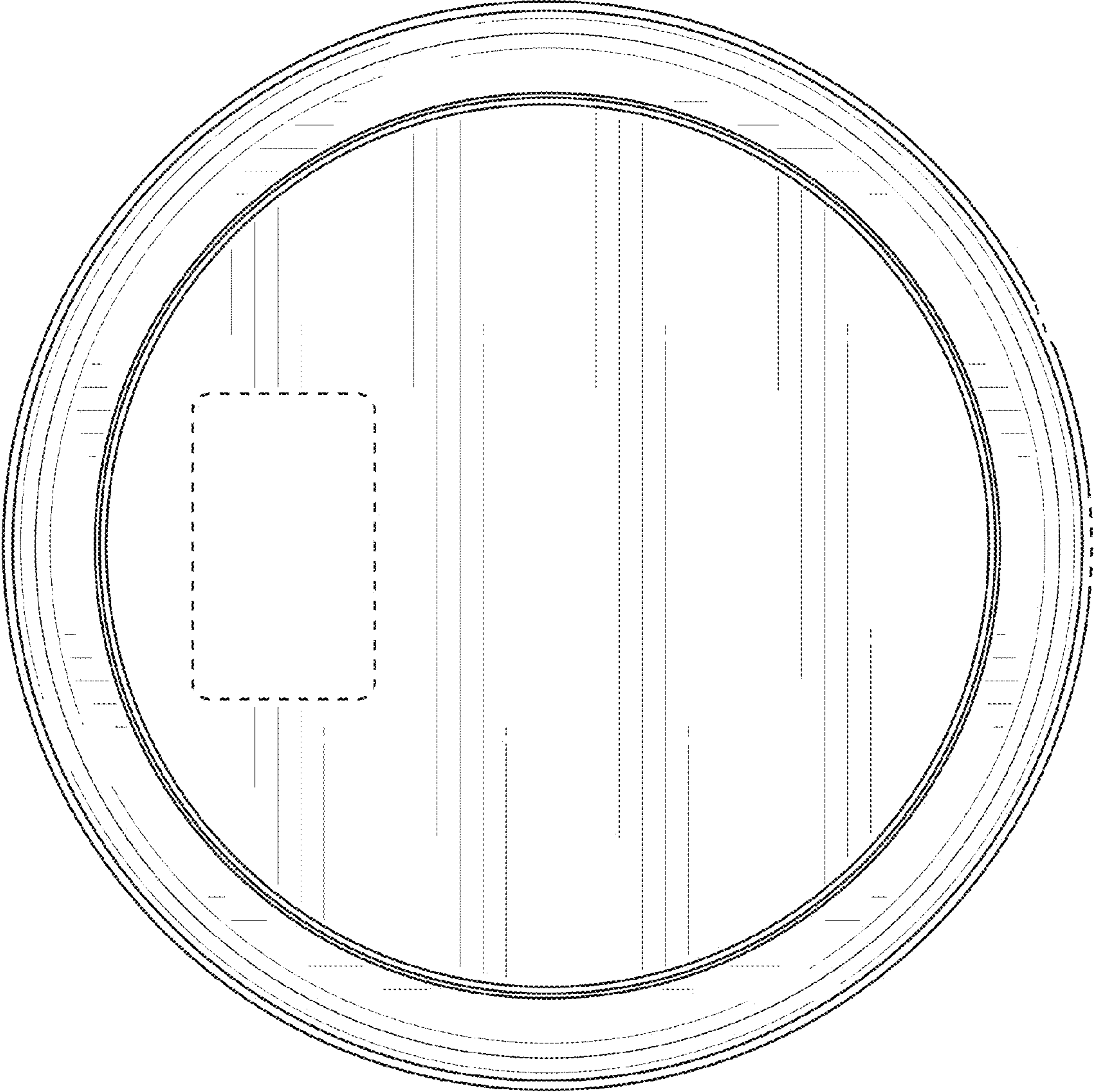


FIG. 16