



US00D878322S

(12) **United States Design Patent**
Sandberg

(10) **Patent No.:** **US D878,322 S**

(45) **Date of Patent:** **** Mar. 17, 2020**

(54) **PARENT UNIT FOR BABY MONITOR**

(71) Applicant: **KONINKLIJKE PHILIPS N.V.**,
Eindhoven (NL)

(72) Inventor: **Emma Stina Katarina Sandberg**,
Eindhoven (NL)

(73) Assignee: **KONINKLIJKE PHILIPS N.V.**,
Eindhoven (NL)

(**) Term: **15 Years**

(21) Appl. No.: **29/675,039**

(22) Filed: **Dec. 28, 2018**

(30) **Foreign Application Priority Data**

Jun. 28, 2018 (EM) 005328077

(51) **LOC (12) Cl.** **14-03**

(52) **U.S. Cl.**
USPC **D14/159**

(58) **Field of Classification Search**
USPC D14/167, 154, 168, 188, 496, 156, 160,
D14/161, 162, 163, 164, 165, 158, 253,
D14/192, 159, 155, 138 AB, 137, 104.1;
455/351, 350, 353; D10/104, 106, 65,
D10/78; 340/573.4, 573.1
CPC . G06F 3/16; G08B 3/00; H04M 11/00; H04N
7/14; H04N 7/26
See application file for complete search history.

(56) **References Cited**

U.S. PATENT DOCUMENTS

D358,364 S * 5/1995 Siddoway D13/108
D402,259 S * 12/1998 Mason D13/108

D417,430 S * 12/1999 Ko D13/107
D448,724 S * 10/2001 Hsiao D13/107
D504,868 S * 5/2005 Lodato D13/107
D520,446 S * 5/2006 Liu D13/108
D524,730 S * 7/2006 Vu D13/108
D555,087 S * 11/2007 Brefka D13/107
D566,041 S * 4/2008 Stratford D13/108
D585,369 S * 1/2009 Castellucci D13/108
D713,816 S * 9/2014 Fleetwood D14/155
D865,702 S * 11/2019 Yamada D14/159

* cited by examiner

Primary Examiner — Austin Murphy

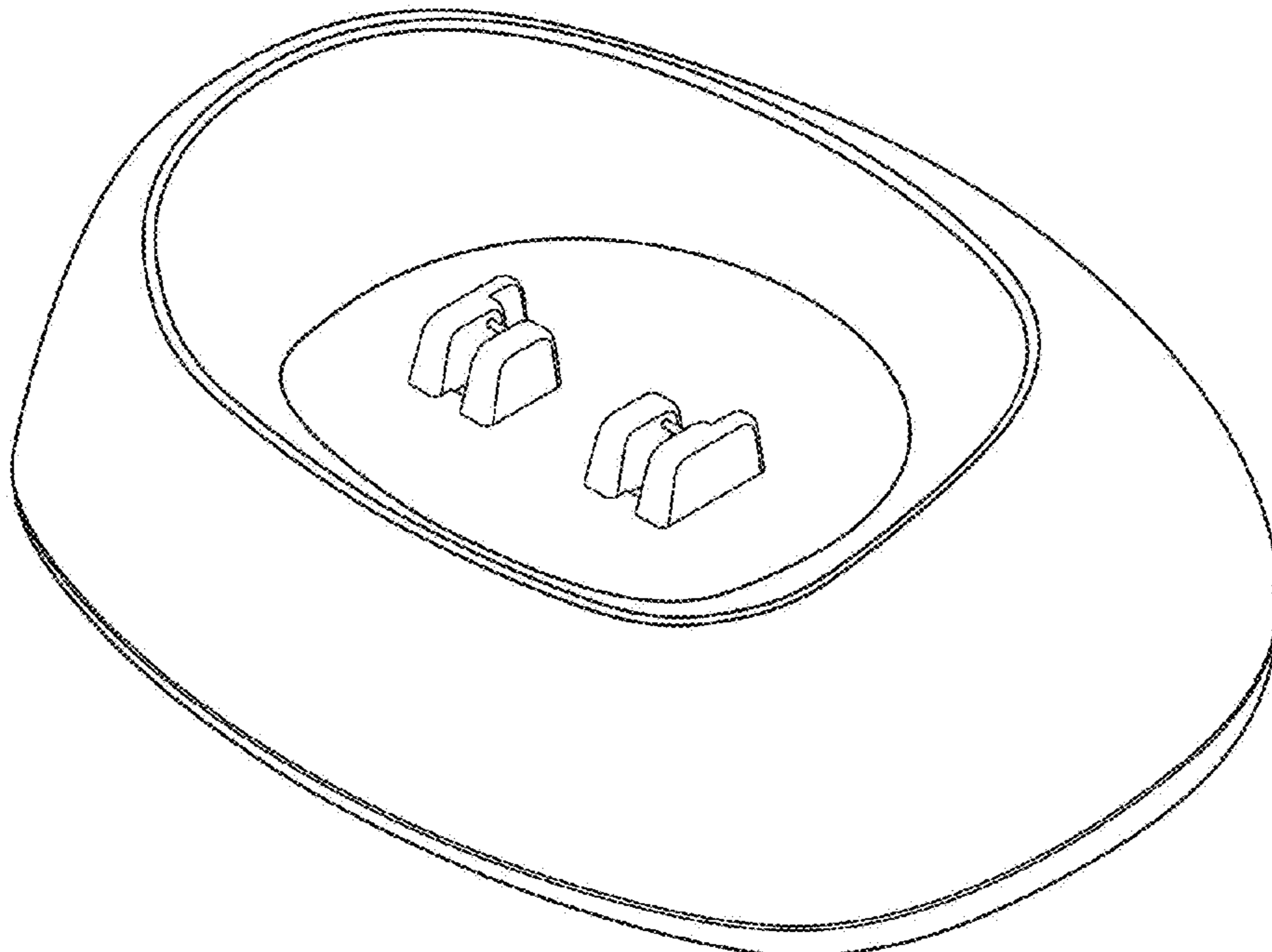
(57) **CLAIM**

The ornamental design for a parent unit for baby monitor, as shown.

DESCRIPTION

The patent or application file contains at least one drawing executed in color. Copies of this patent or patent application publication with color drawing(s) will be provided by the Office upon request and payment of the necessary fee.
FIG. 1 is a perspective view showing my design;
FIG. 2 is a front elevational view thereof;
FIG. 3 is a rear elevational view thereof;
FIG. 4 is a right side elevational view thereof;
FIG. 5 is a left side elevational view thereof;
FIG. 6 is a top plan view thereof; and,
FIG. 7 is a bottom plan view thereof.

1 Claim, 4 Drawing Sheets
(2 of 4 Drawing Sheet(s) Filed in Color)



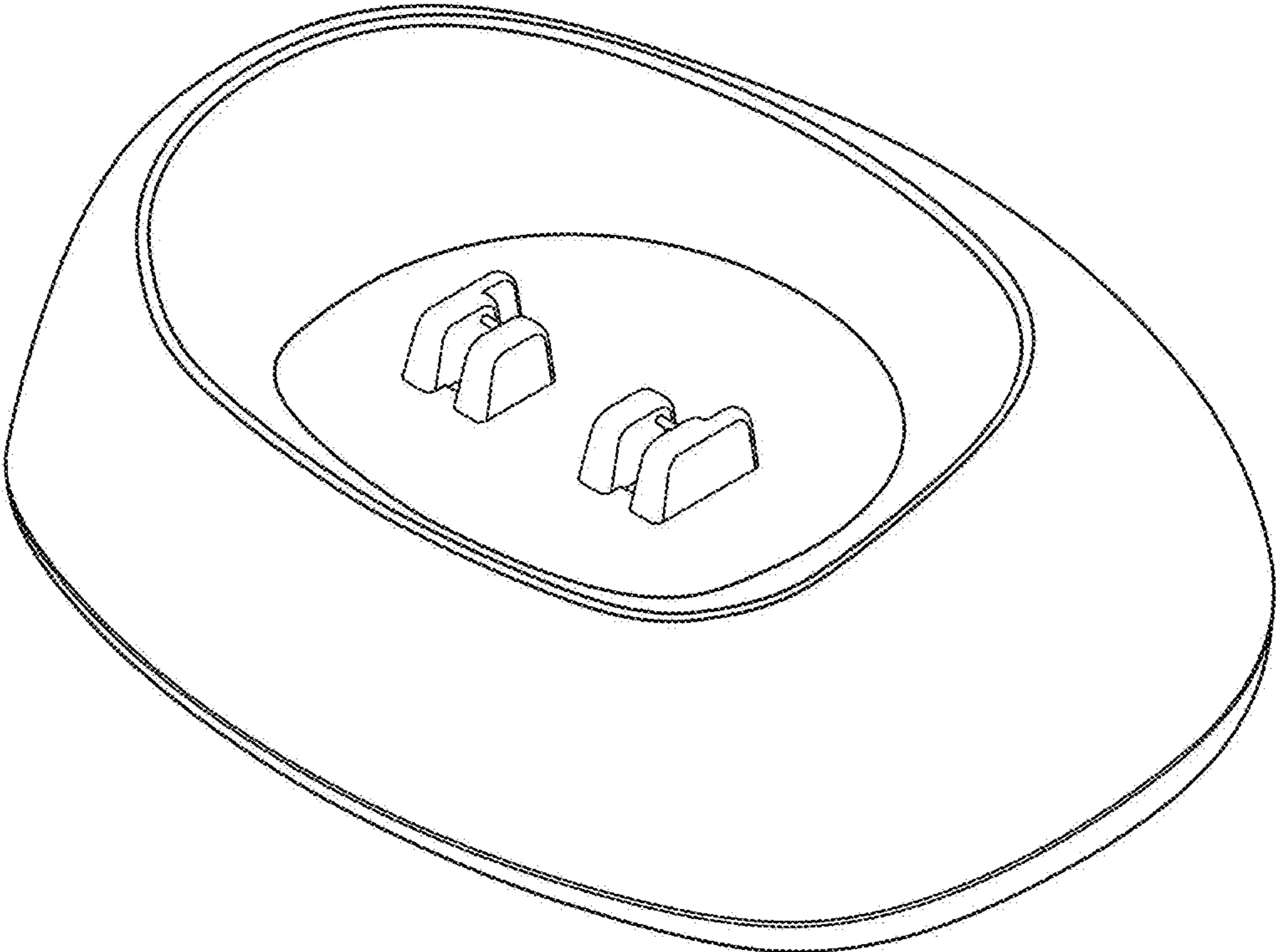


FIG. 1

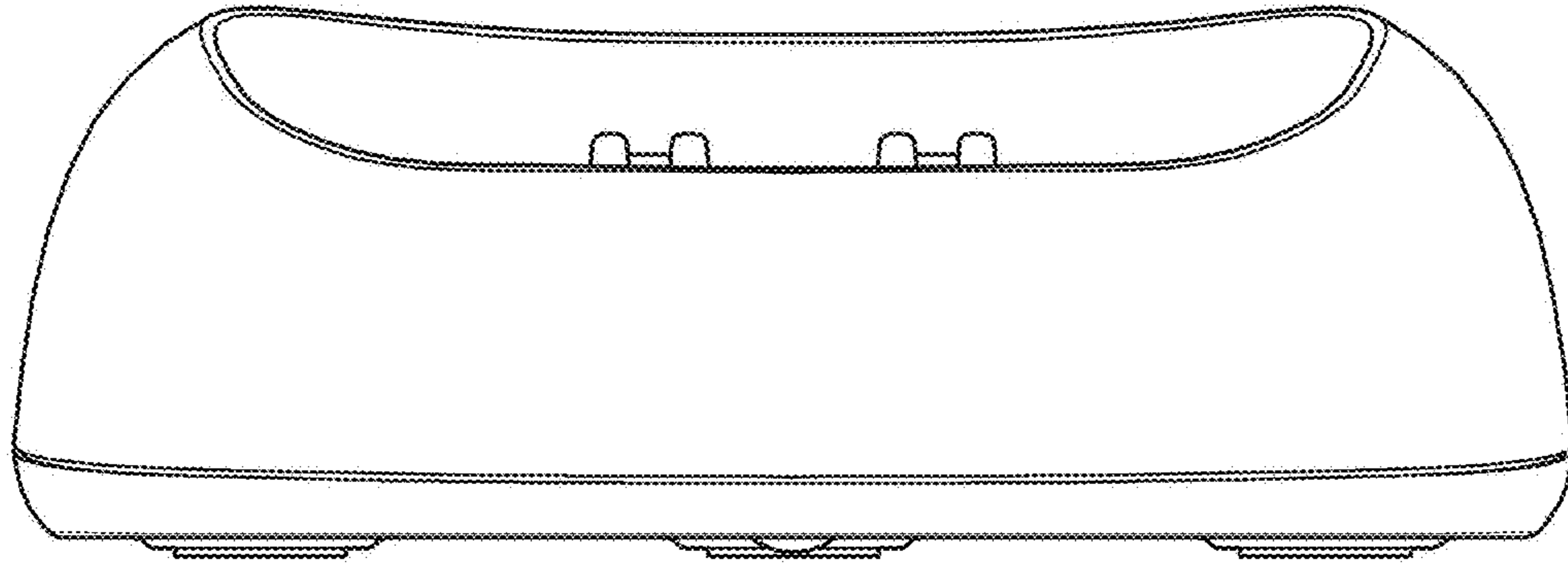


FIG. 2

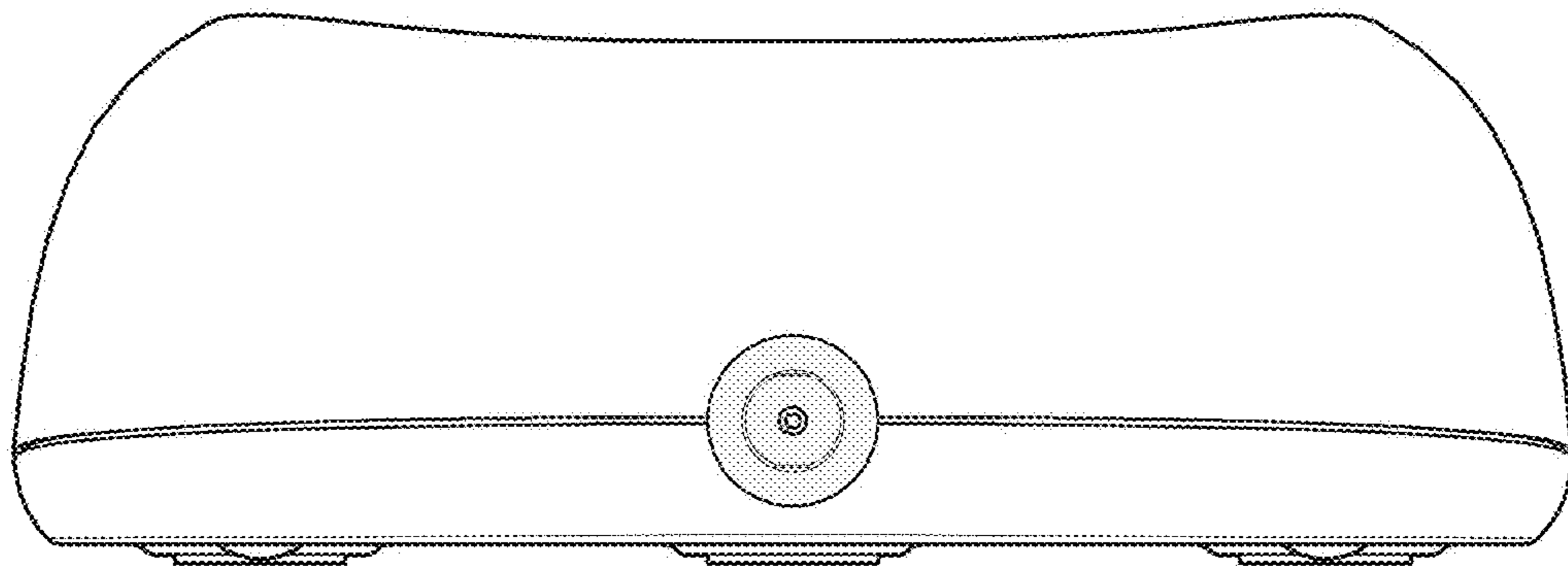


FIG. 3

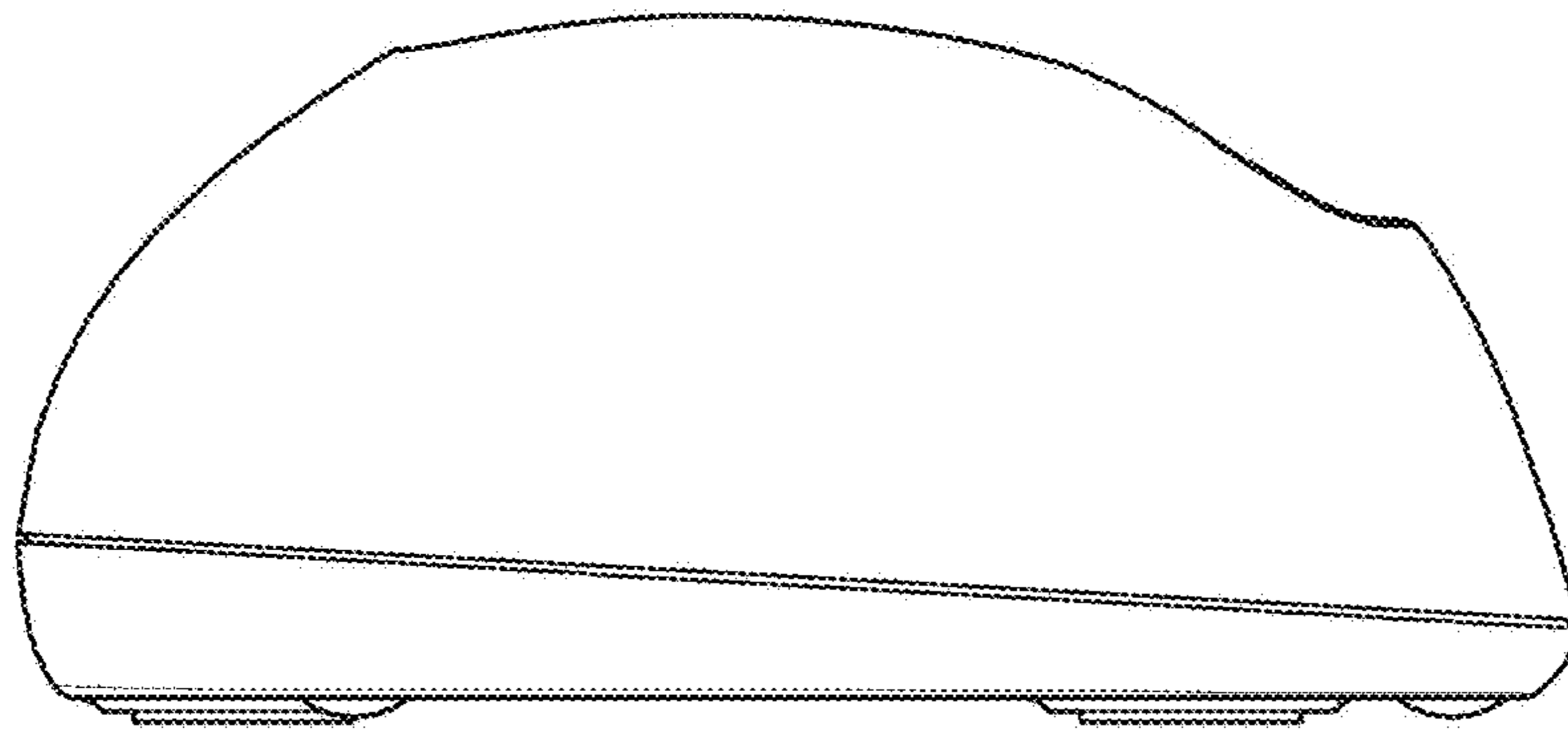


FIG. 4

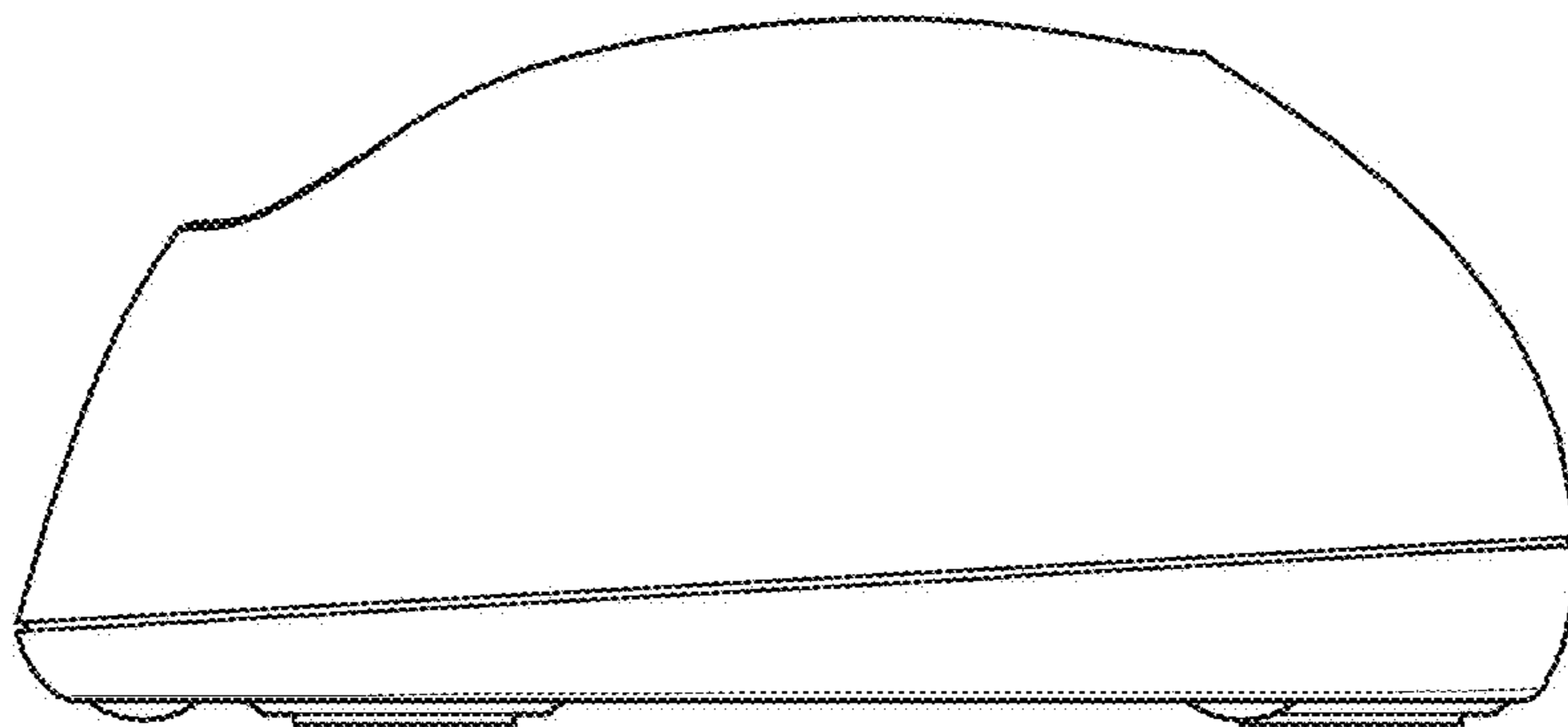


FIG. 5

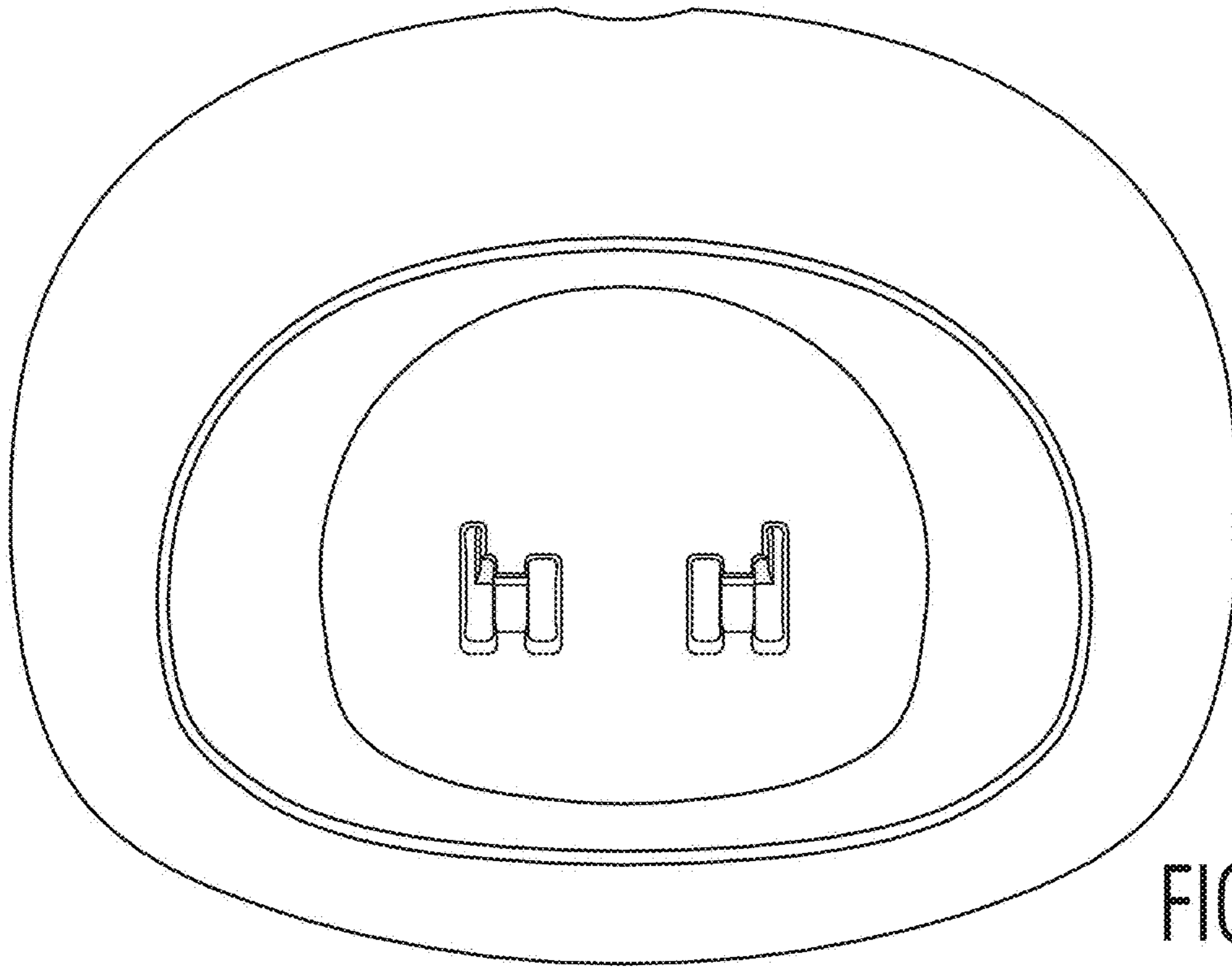


FIG. 6

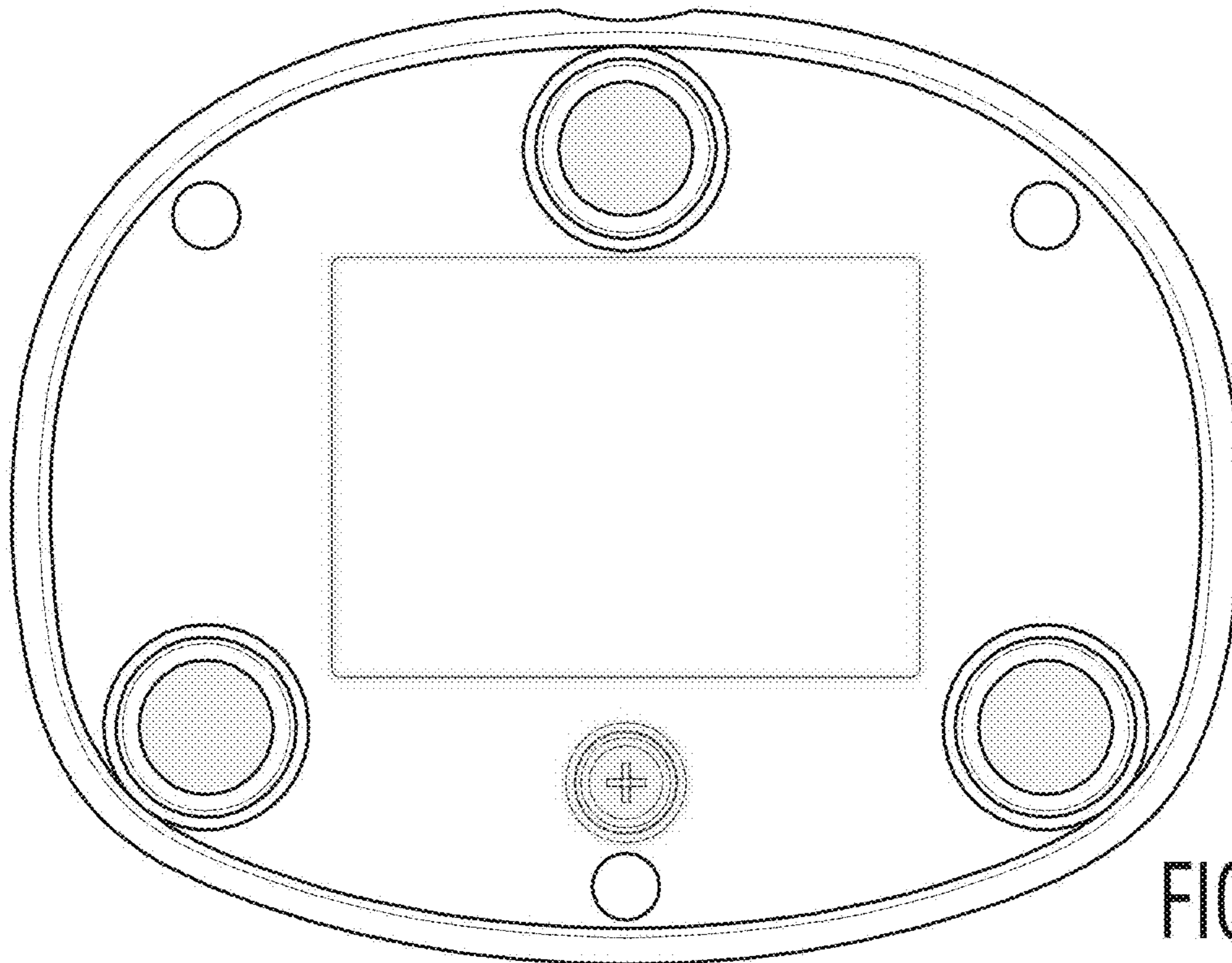


FIG. 7