



US00D878317S

(12) **United States Design Patent**  
**Liu et al.**

(10) **Patent No.:** **US D878,317 S**  
(45) **Date of Patent:** **\*\* Mar. 17, 2020**

(54) **CALL STATION**

(71) Applicant: **Honeywell International Inc.**,  
Morristown, NJ (US)

(72) Inventors: **Xingxin Liu**, Shanghai (CN); **Yilong Huang**, Guangzhou (CN); **Chuan Cheng Han**, Guangzhou (CN); **JunTao Zhang**, Guangzhou (CN)

(73) Assignee: **Honeywell International Inc.**, Morris Plains, NJ (US)

(\*\*) Term: **15 Years**

(21) Appl. No.: **29/599,179**

(22) Filed: **Mar. 31, 2017**

(51) **LOC (12) Cl.** ..... **14-03**

(52) **U.S. Cl.**

USPC ..... **D14/159**; D14/140.8; D14/185

(58) **Field of Classification Search**

USPC ... D14/140, 140.1, 140.7, 140.8, 141.2, 142, D14/144, 147, 148, 149, 150, 151, 158, D14/159, 188, 217, 240, 243, 247, 248, D14/251, 299, 329, 462, 467, 471, 130, D14/496, 185, 225-227; D21/517, 513  
CPC ..... H04M 1/00; H04M 1/003; H04M 1/006; H04M 1/02; H04M 1/0297; H04M 1/03; H04M 1/0214; H04M 1/6041; H04M 1/6066; H04M 1/23; H04M 1/253; H04M 1/2535; H04M 7/006

See application file for complete search history.

(56) **References Cited**

**U.S. PATENT DOCUMENTS**

D250,891 S \* 1/1979 Renard ..... D14/245  
D267,179 S \* 12/1982 Yamaguchi ..... D14/140.8  
D277,001 S \* 1/1985 McGarvey ..... D14/392  
D277,476 S \* 2/1985 Foggia ..... D14/140.8

D278,533 S \* 4/1985 Ando ..... D14/151  
D289,638 S \* 5/1987 Kasprzycki ..... D14/245  
D314,962 S \* 2/1991 Hilton ..... D14/185

(Continued)

**OTHER PUBLICATIONS**

CMX Audio, Public Address & Voice Alarm & IP Network Audio, 12 Zone Voice Alarm System with Paging & BGM & Digital PA System, Advantages of EVAC-500 Voice Alarm Controller, Copyright 2013-2016, <http://www.cmxaudio.com/News/detail/id/133>.

(Continued)

*Primary Examiner* — Marie D. Fast Horse

(74) *Attorney, Agent, or Firm* — Brooks, Cameron & Huebsch, PLLC

(57) **CLAIM**

The ornamental design for a call station, as shown and described.

**DESCRIPTION**

FIG. 1 is a perspective view of a call station showing our new design;

FIG. 2 is a front elevation view thereof;

FIG. 3 is a rear elevation view thereof;

FIG. 4 is a right side elevation view thereof;

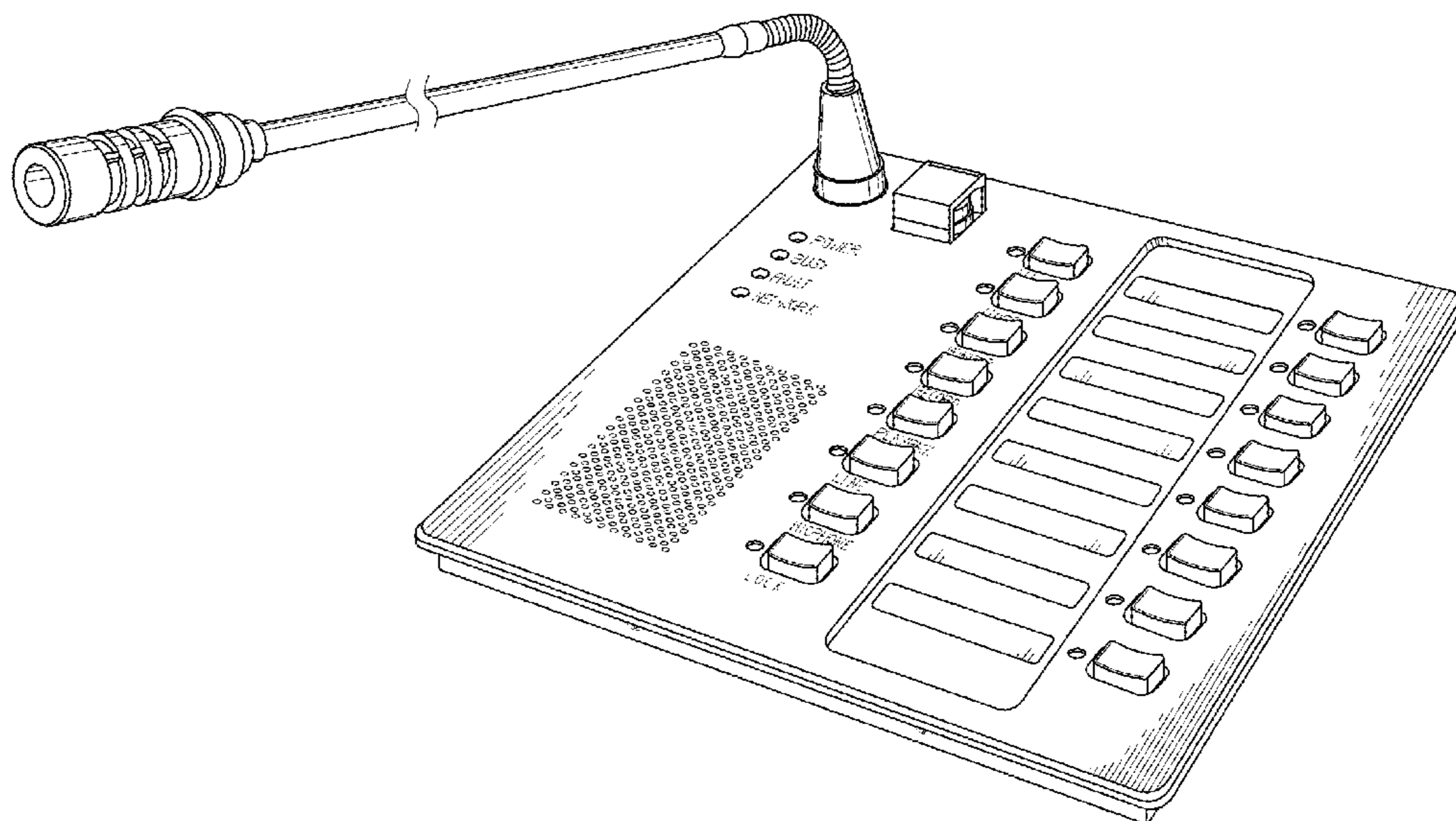
FIG. 5 is a left side elevation view thereof; and,

FIG. 6 is a top plan view thereof.

The broken line characters on the top surface depict surface indicia that form no part of the claim; the broken lines showing the feet depict environmental subject matter only and form no part of the claim; while all other broken lines depict portions of the call station that form no part of the claimed design. The bottom of the call station is not shown and thus forms no part of the claimed design.

The microphone portion of the call station includes a symbolic break in its length. The appearance of any portion of the microphone shown in between the symbolic break, including the symbolic break lines themselves, forms no part of the claimed design.

**1 Claim, 4 Drawing Sheets**



(56)

References Cited

U.S. PATENT DOCUMENTS

D317,920 S \* 7/1991 Fuqua ..... D14/140.8  
 D326,649 S \* 6/1992 Joffe ..... D14/142  
 D349,285 S \* 8/1994 Robertus ..... D14/159  
 D349,286 S \* 8/1994 Robertus ..... D14/159  
 D371,784 S \* 7/1996 Gertz ..... D14/159  
 D411,987 S \* 7/1999 Mizusugi ..... D14/130  
 D417,222 S \* 11/1999 Johnson ..... D14/140.9  
 D429,231 S \* 8/2000 Johnsson ..... D14/159  
 D450,308 S \* 11/2001 Benders ..... D14/159  
 D484,867 S 1/2004 Little, Jr.  
 D493,441 S \* 7/2004 Sabick ..... D14/159  
 D494,152 S \* 8/2004 Sabick ..... D14/159  
 D534,151 S \* 12/2006 Marquez ..... D14/159  
 D573,974 S \* 7/2008 Liu ..... D14/140.8  
 D574,799 S 8/2008 Cronmiller et al.  
 D583,353 S \* 12/2008 Brown ..... D14/140.8  
 D651,192 S \* 12/2011 Timmer ..... D14/159  
 D714,253 S 9/2014 Aglassinger et al.  
 D715,778 S \* 10/2014 Yilin ..... D14/227  
 D718,748 S 12/2014 Pan

D724,558 S 3/2015 Bast  
 D729,779 S \* 5/2015 Cavero ..... D14/227  
 D761,234 S \* 7/2016 Aglassinger ..... D14/226  
 D767,635 S 9/2016 Aglassinger et al.  
 D797,707 S \* 9/2017 Abehassera ..... D14/226  
 D818,452 S \* 5/2018 Liu ..... D14/188  
 D831,621 S \* 10/2018 Ito ..... D14/227  
 D851,055 S \* 6/2019 Woensdregt ..... D14/159  
 2003/0134666 A1\* 7/2003 Fletcher ..... H04M 1/725  
 455/575.2

OTHER PUBLICATIONS

TOA Electronics, Inc., Remote Microphone Station: N-8610RM, <http://www.toaelectronics.com/products/intercom-systems/ip-stations/n-8610rm>, Apr. 3, 2015.  
 Protec Fire Detection plc, MPS10-MPS50 Modular Paging and Emergency Microphone, <https://www.protec.co.uk/product-page/voice-evacuation-public-address/control-and-amplification/product/mps10-mps50-modular-paging-and-emergency-microphone/>, Copyright 2017.

\* cited by examiner

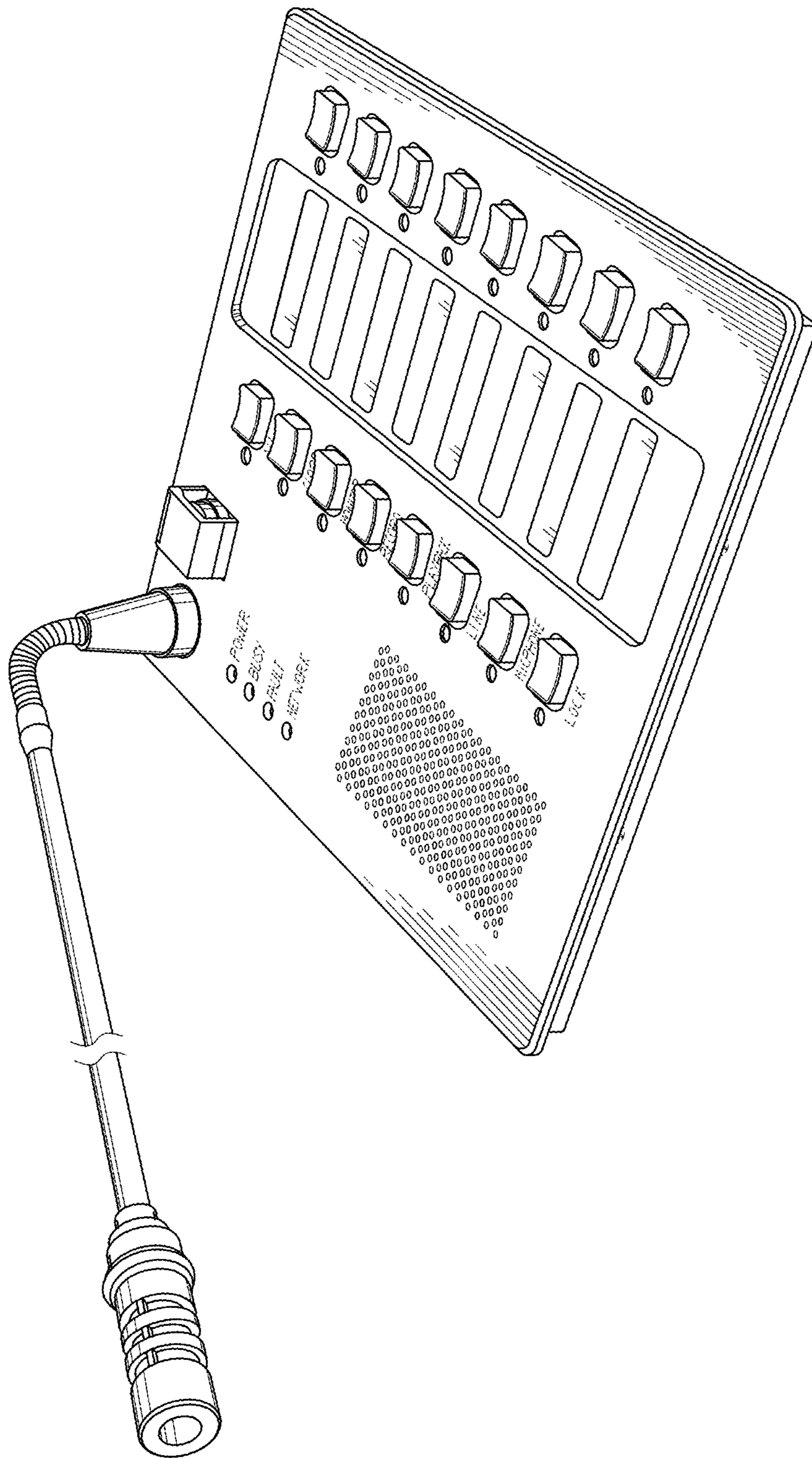
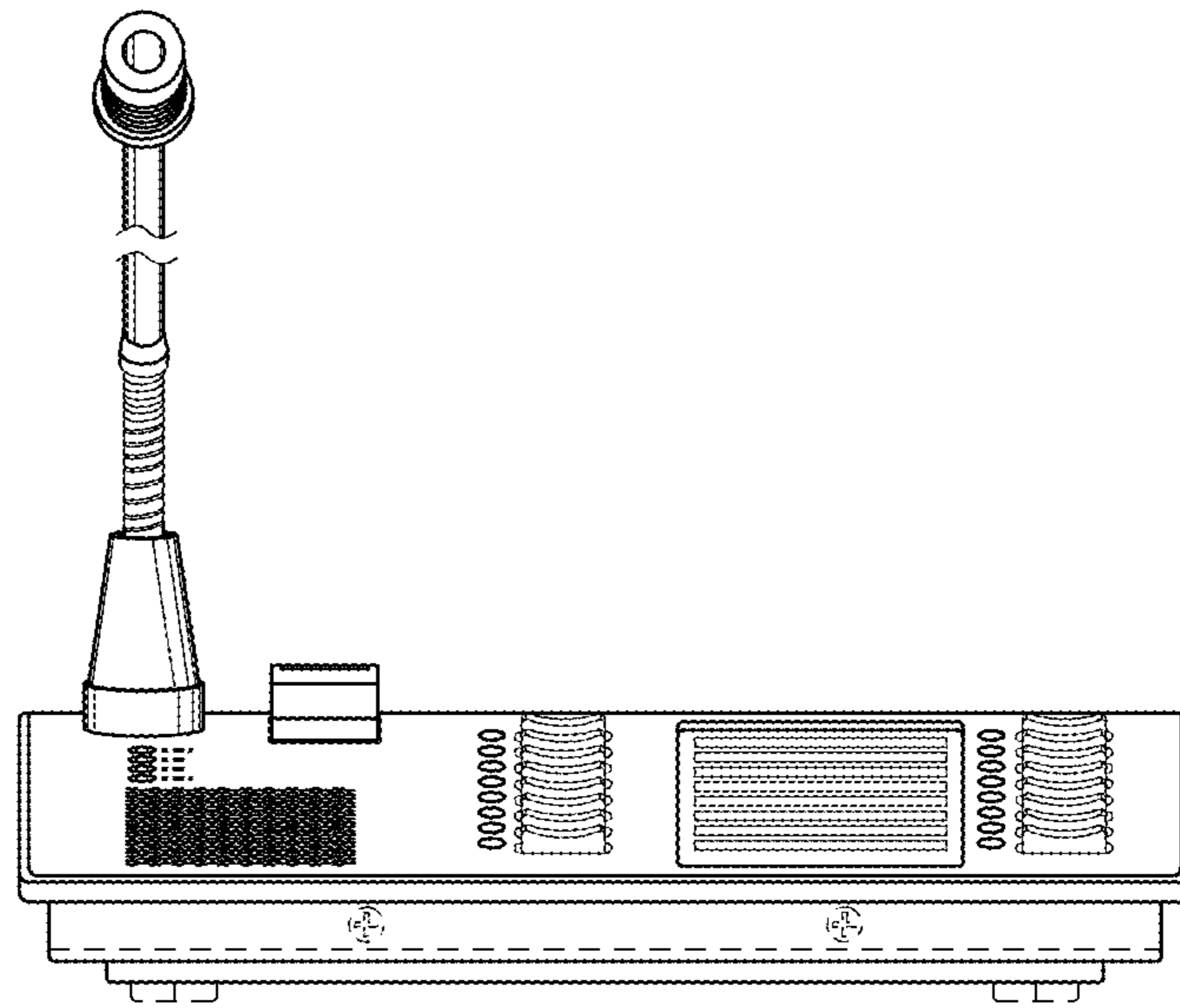
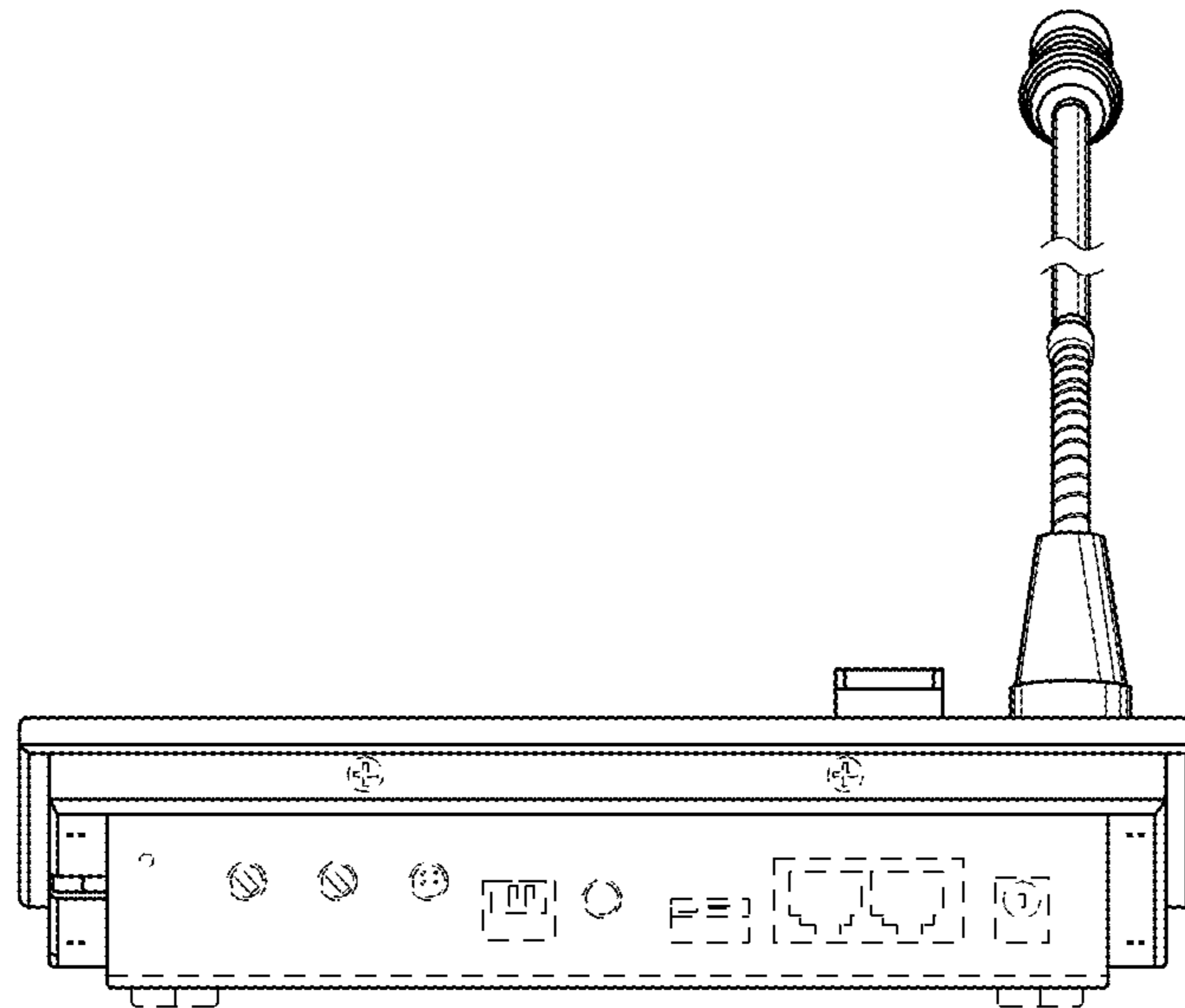


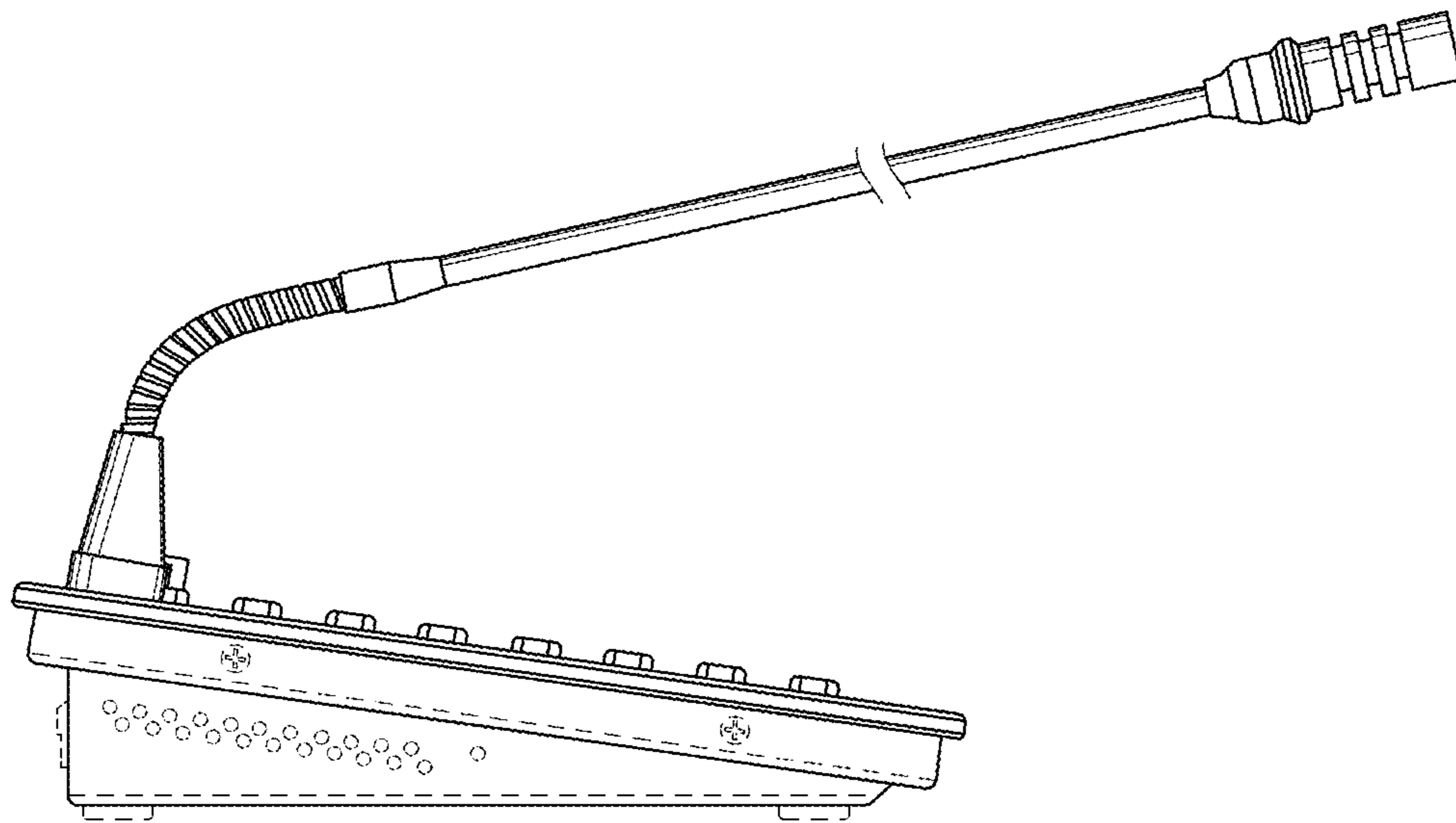
FIG. 1



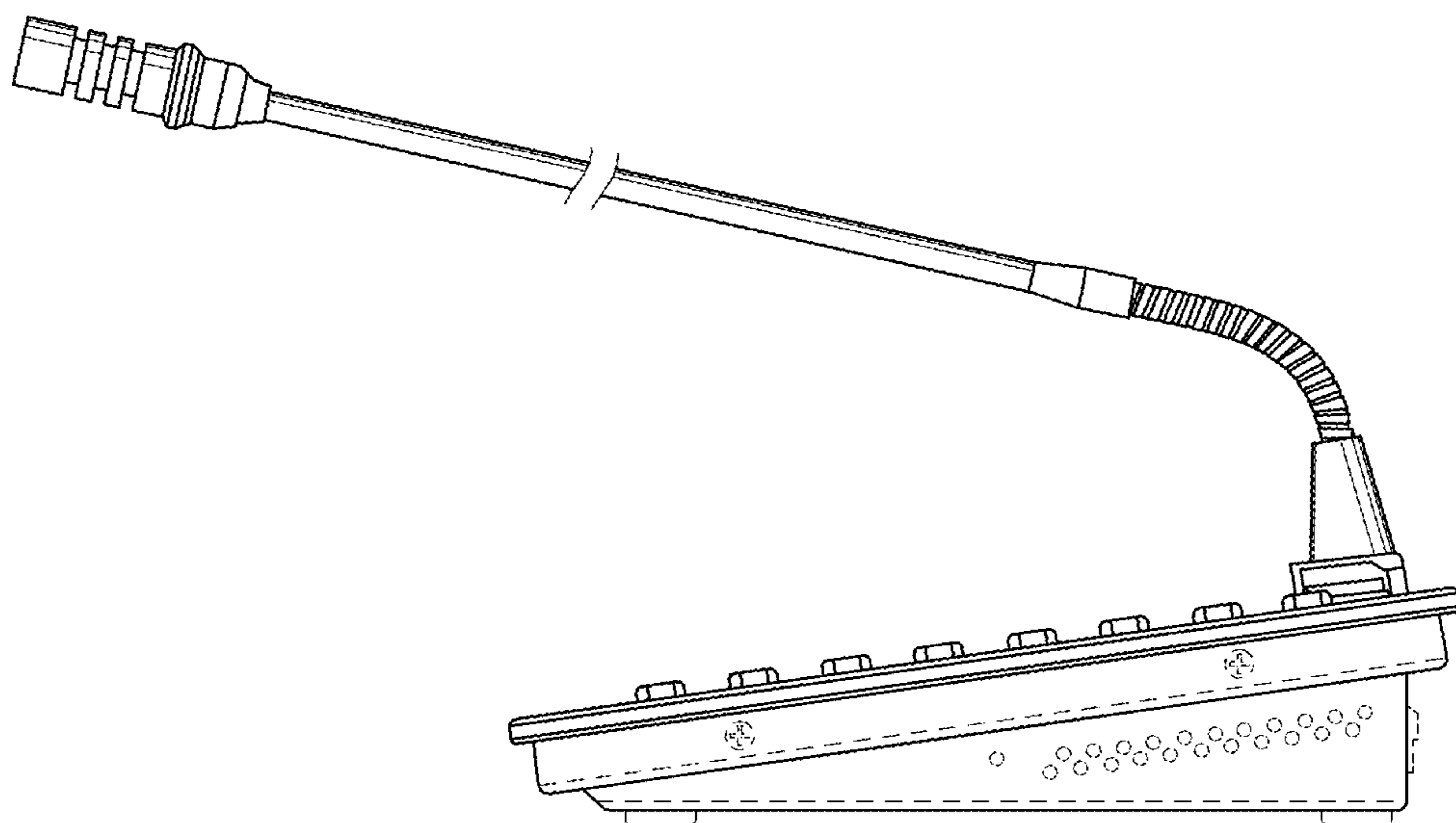
*FIG. 2*



*FIG. 3*



*FIG. 4*



*FIG. 5*

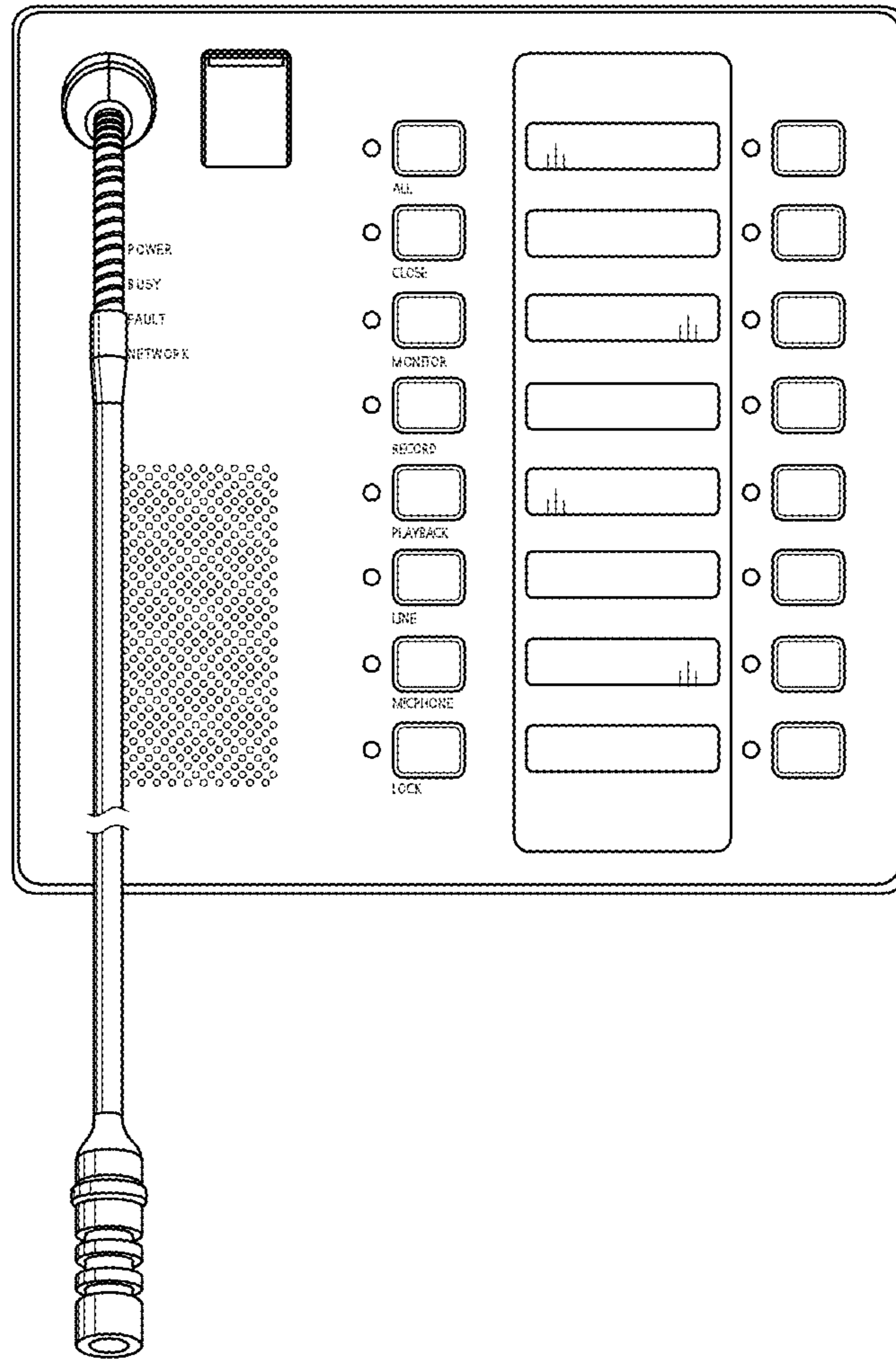


FIG. 6