



US00D878316S

(12) **United States Design Patent**
Duman et al.

(10) **Patent No.:** **US D878,316 S**
(45) **Date of Patent:** **** Mar. 17, 2020**

(54) **HANDHELD COMMUNICATION DEVICE**

- (71) Applicant: **MOTOROLA SOLUTIONS, INC.**,
Chicago, IL (US)
- (72) Inventors: **Goktug Duman**, Oakland Park, FL
(US); **Ryan M. Nilsen**, Plantation, FL
(US)
- (73) Assignee: **MOTOROLA SOLUTIONS, INC.**,
Chicago, IL (US)

(**) Term: **15 Years**

(21) Appl. No.: **29/640,949**

(22) Filed: **Mar. 19, 2018**

(51) **LOC (12) Cl.** **14-03**

(52) **U.S. Cl.**
USPC **D14/137**

(58) **Field of Classification Search**
USPC D14/137, 138 AA, 138 R, 138 G, 203.7,
D14/147, 148, 218, 250, 191, 159, 203.1,
D14/203.3, 158, 185, 155, 168, 171, 172,
D14/188, 214, 154, 141.1, 140, 142, 144,
D14/149, 150, 139; D10/65, 106.1,
D10/104.1; D13/168
CPC H04B 1/38; H04B 1/3827; H04B 1/3833;
H04B 2001/3861
See application file for complete search history.

(56) **References Cited**

U.S. PATENT DOCUMENTS

D600,225 S *	9/2009	Woon	D14/137
D616,845 S *	6/2010	Xia	D14/137
D717,258 S *	11/2014	Garra	D14/137
D721,050 S *	1/2015	Kaner	D14/137
D730,866 S *	6/2015	Aihsan	D14/188
D752,536 S *	3/2016	Ooi	D14/137
D752,537 S *	3/2016	Oikawa	D14/137
D754,088 S *	4/2016	Ooi	D14/137
D817,910 S *	5/2018	Yamamoto	D14/137

OTHER PUBLICATIONS

SL300 Portable Two-way Radio, as archived by the wayback machine on Apr. 25, 2015, [online], [site visited Jun. 17, 2019]. Retrieved from url:https://web.archive.org/web/20150425075933/http://www.motorolasolutions.com:80/en_us/products/two-way-radios/motrbo/portable-radios/sl300.html (Year: 2015).*

Motorola TLK 100 4G LTE Nationwide Push To Talk Two Way Radio, Sep. 14, 2018, [online], [site visited Jun. 17, 2019]. Retrieved from url:https://www.youtube.com/watch?v=Akieb-JBxTw (Year: 2018).*

* cited by examiner

Primary Examiner — Jeffrey D Asch

Assistant Examiner — Tracey J Bell

(74) *Attorney, Agent, or Firm* — Raguraman Kumaresan

(57) **CLAIM**

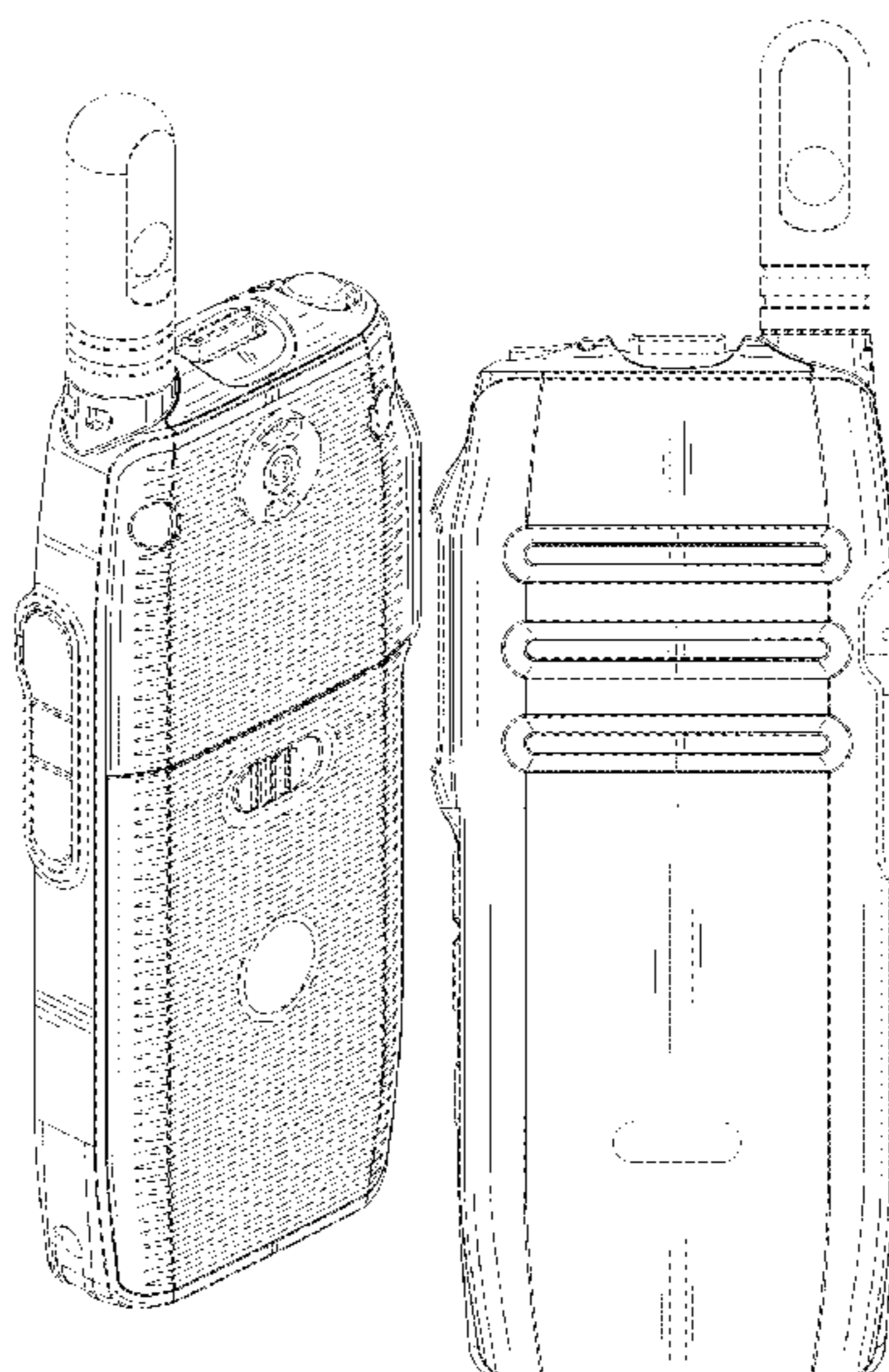
The ornamental design for a handheld communication device, as shown and described.

DESCRIPTION

FIG. 1 is a front perspective view of an ornamental design for a handheld communication device;
FIG. 2 is a rear perspective view thereof;
FIG. 3 is a front view thereof;
FIG. 4 is a rear view thereof;
FIG. 5 is a first side view thereof;
FIG. 6 is a second side view thereof;
FIG. 7 is a bottom view thereof; and,
FIG. 8 is a top view thereof.

All broken lines in the figures illustrate portions of the handheld communication device that form no part of the claimed design. The broken lines that define unshaded regions and that are adjacent to surfaces included in the claim, depict boundaries of the claimed design.

1 Claim, 6 Drawing Sheets



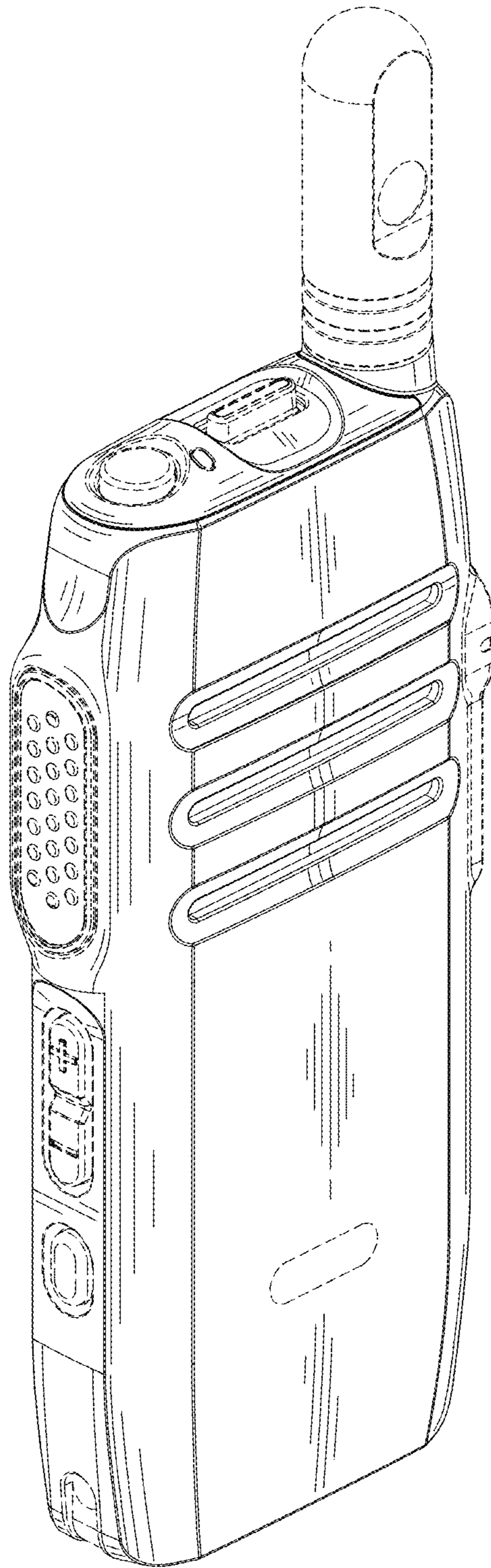


FIG. 1

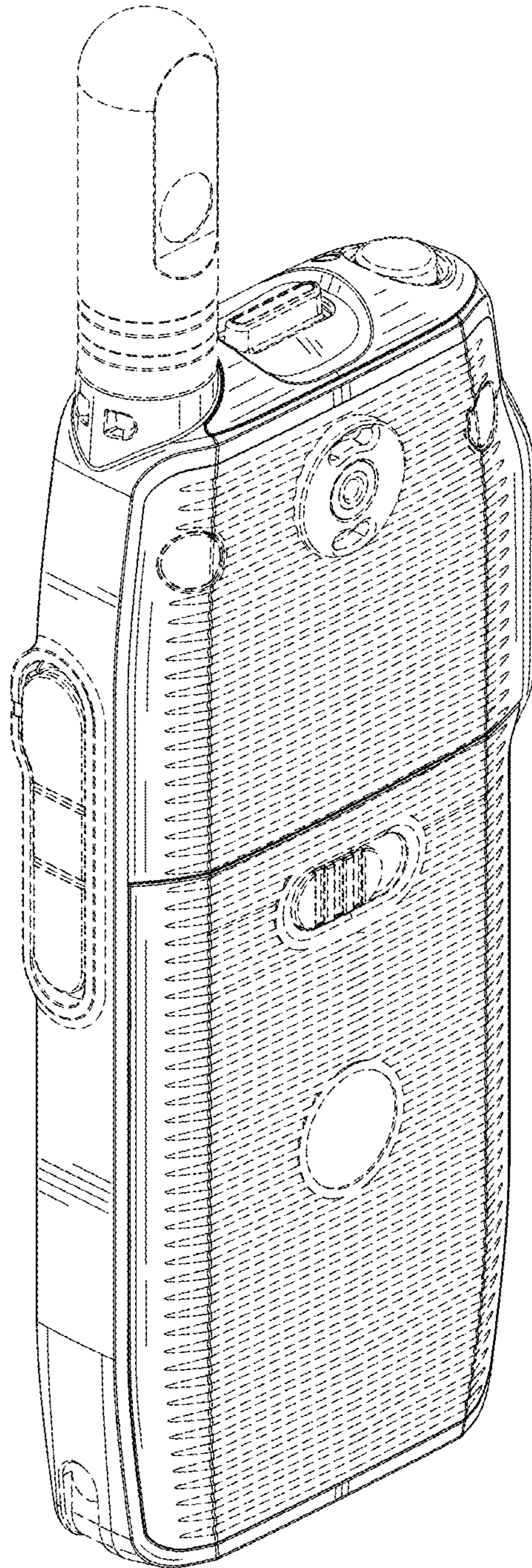


FIG. 2

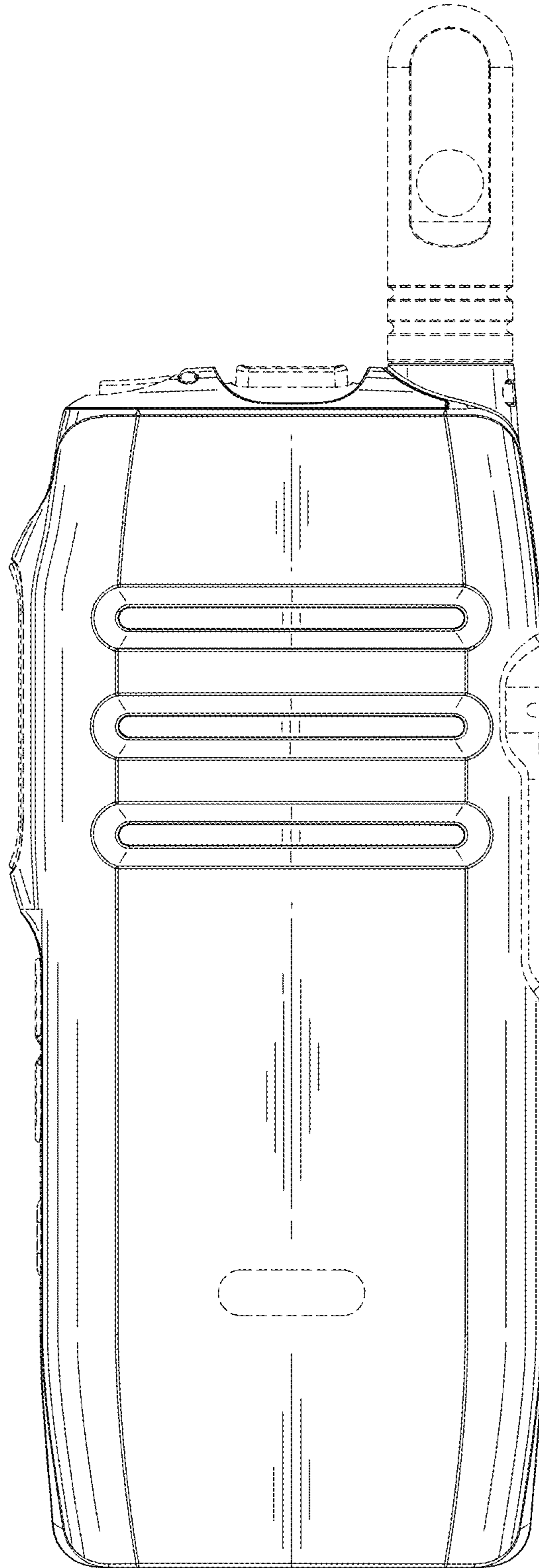


FIG. 3

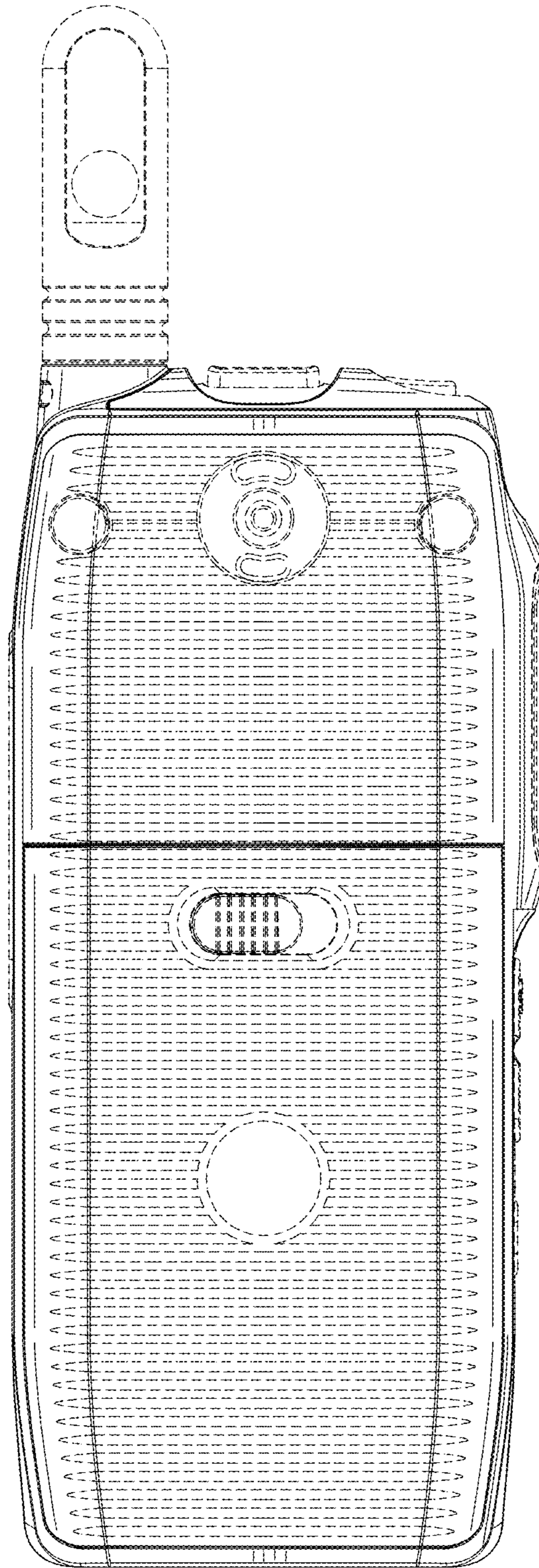


FIG. 4

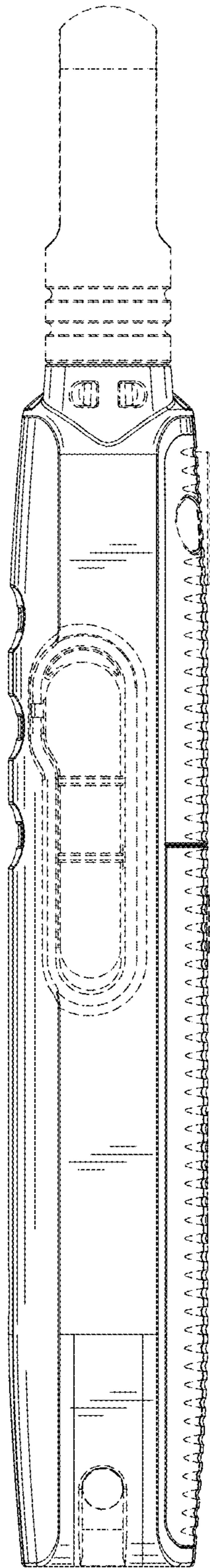


FIG. 5

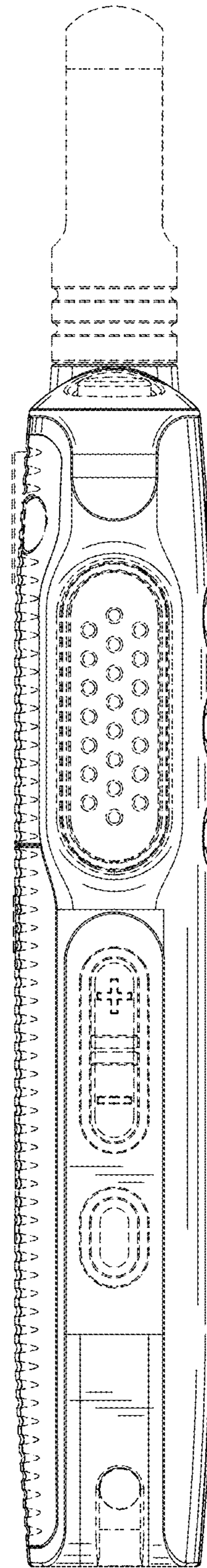


FIG. 6

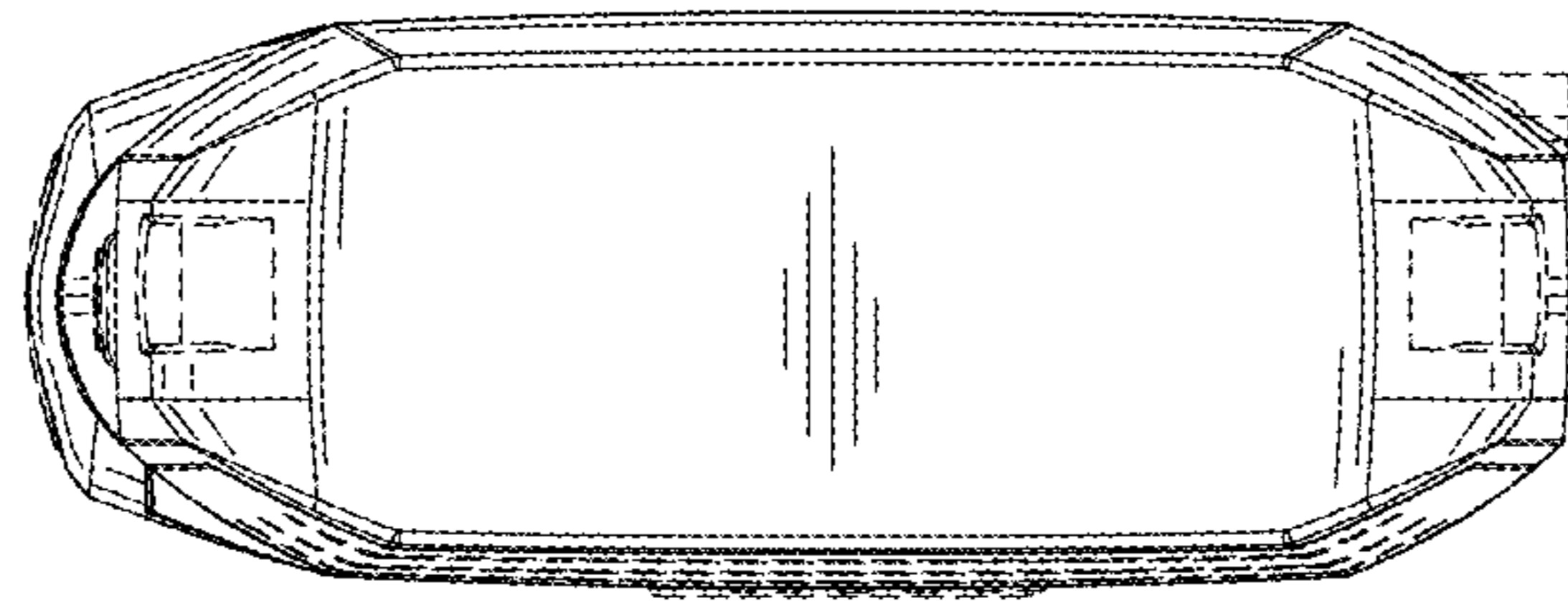


FIG. 7

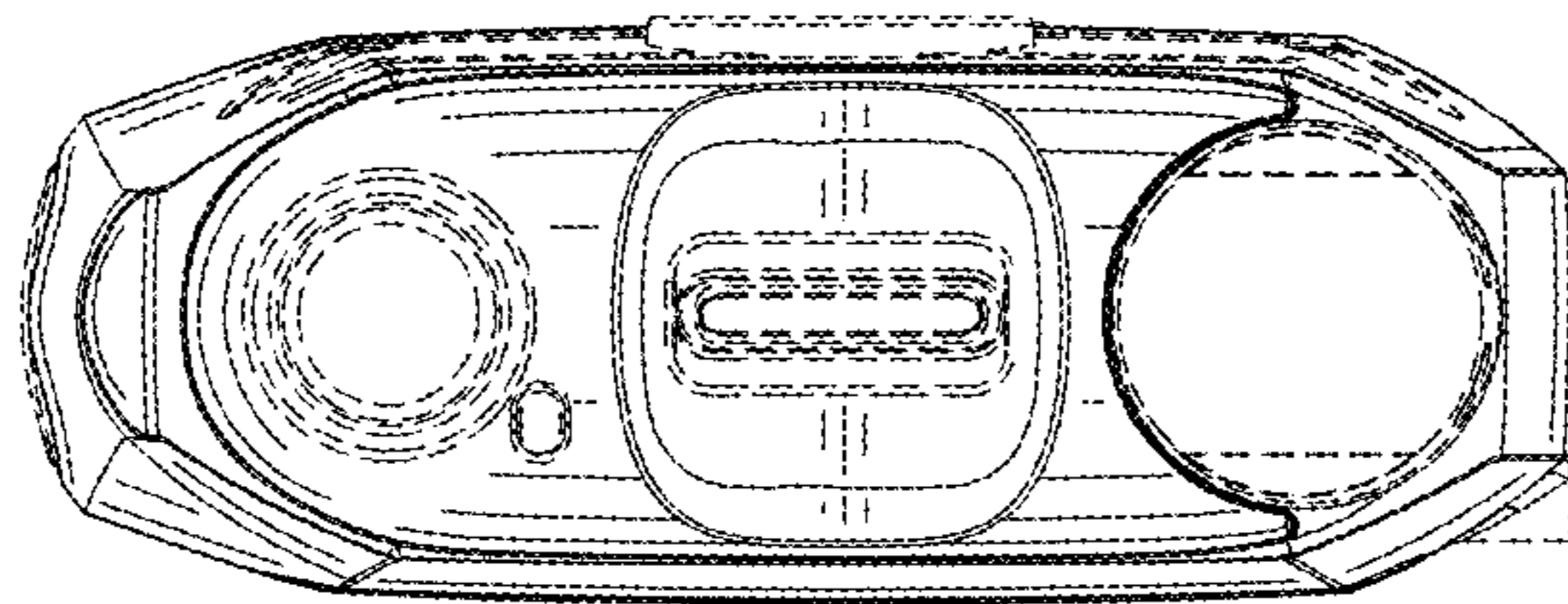


FIG. 8