



US00D878312S

(12) **United States Design Patent**
Ice et al.

(10) **Patent No.:** **US D878,312 S**
(45) **Date of Patent:** **** Mar. 17, 2020**

- (54) **LIGHTWEIGHT HEAT SINK**
- (71) Applicants: **Chad Ice**, Nashville, TN (US); **Vernon Price**, Hendersonville, TN (US)
- (72) Inventors: **Chad Ice**, Nashville, TN (US); **Vernon Price**, Hendersonville, TN (US)
- (73) Assignee: **OSRAM SYLVANIA Inc.**, Wilmington, MA (US)
- (**) Term: **15 Years**
- (21) Appl. No.: **29/605,144**
- (22) Filed: **May 24, 2017**
- (51) **LOC (12) Cl.** **13-03**
- (52) **U.S. Cl.**
USPC **D13/179**
- (58) **Field of Classification Search**
USPC D13/179, 182; D15/199; D26/138, 141, D26/152, 142
CPC ... H01L 23/473; H01L 23/4735; H01L 23/46; H01L 23/467; H01L 23/4006; H01L 23/427; H01L 23/3672; F28D 15/00; F28D 15/02; F28D 15/0275; F28F 31/02; G06F 1/20; G06F 2200/201
See application file for complete search history.

- D484,856 S * 1/2004 Ajiki D13/182
- D513,171 S * 12/2005 Richardson D25/133
- D516,528 S * 3/2006 Nakamura D13/182
- D531,965 S * 11/2006 Stathakis H01L 23/427
D13/179
- D774,874 S * 12/2016 Wentzel D8/349
- D805,044 S * 12/2017 Sakai D13/182
- D833,670 S * 11/2018 Zhao D26/142

OTHER PUBLICATIONS

Newark, "CLP-212G—Heat Sink Clip, TO-220 Packages, 18.9 mm×10 mm", accessed Jan. 28, 2019. (<https://www.newark.com/aavid-thermalloy/clp-212g/heat-sink/dp/06M5904>) (Year: 2019).*

(Continued)

Primary Examiner — April Rivas

(57) **CLAIM**

The ornamental design for a lightweight heat sink, as shown and described.

DESCRIPTION

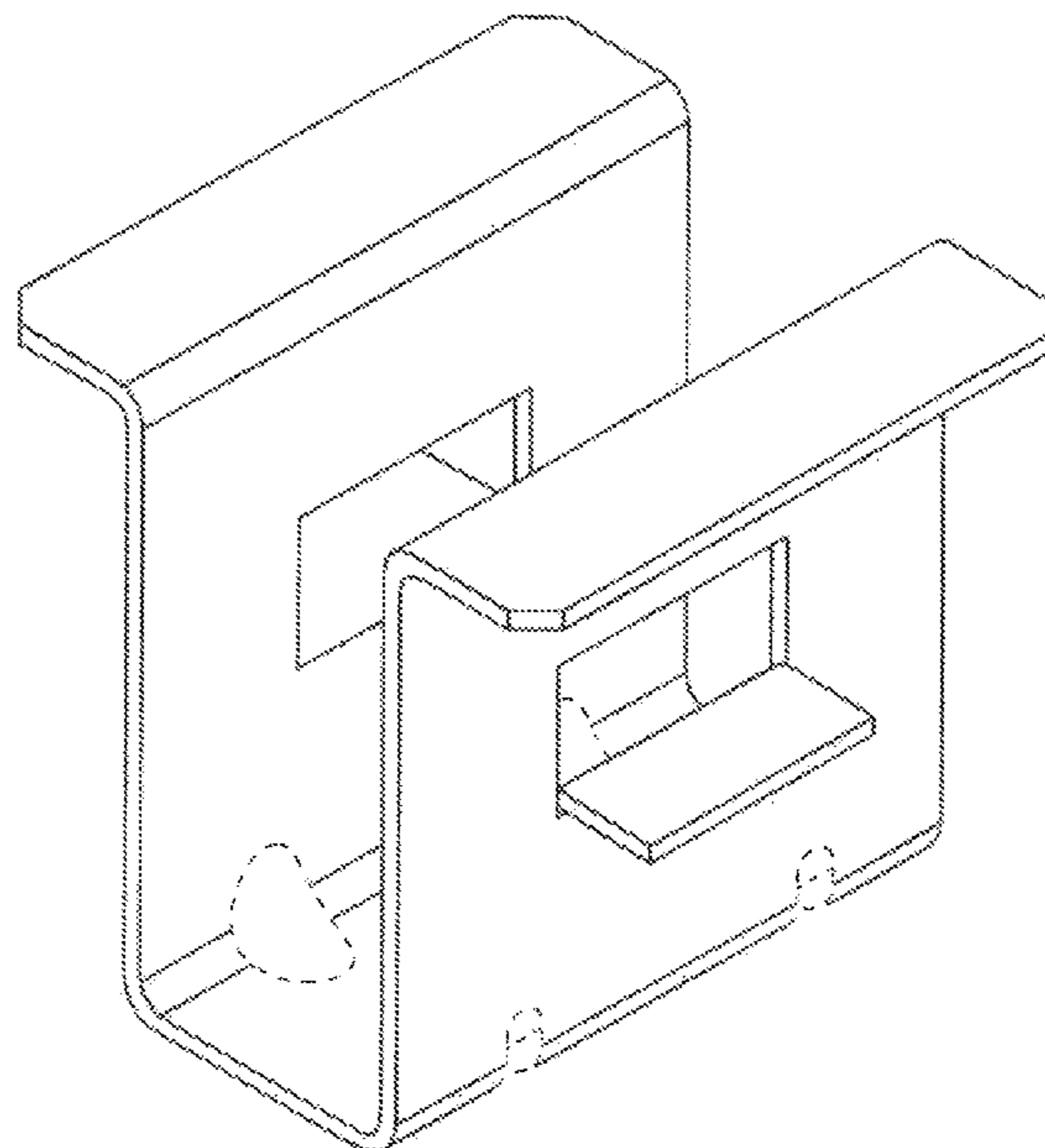
FIG. 1 is a top perspective view of the ornamental design of the lightweight heat sink.
 FIG. 2 is a top view of the ornamental design of the lightweight heat sink.
 FIG. 3 is a bottom view of the ornamental design of the lightweight heat sink.
 FIG. 4 is a front view of the ornamental design of the lightweight heat sink.
 FIG. 5 is a back view of the ornamental design of the lightweight heat sink.
 FIG. 6 is a right side view of the ornamental design for the lightweight heat sink, the opposite side view being a mirror image thereof; and,
 FIG. 7 is a bottom perspective view of the ornamental design of the lightweight heat sink.

1 Claim, 7 Drawing Sheets

(56) **References Cited**

U.S. PATENT DOCUMENTS

- D300,738 S * 4/1989 Jordan D13/179
- D361,986 S * 9/1995 Harmon D13/179
- D376,349 S * 12/1996 Campanella D13/179
- D390,539 S * 2/1998 Campanella D13/179
- D394,043 S * 5/1998 Campanella D13/179
- D407,381 S * 3/1999 Campanella D13/179
- D409,157 S * 5/1999 Holland D13/179
- D422,970 S * 4/2000 Guerrero D13/179
- D469,337 S * 1/2003 Chen D13/179



(56)

References Cited

OTHER PUBLICATIONS

Environmental Lighting, "Mounting Clip for E-Lite LED Under Cabinet Light Bars", Accessed Jan. 28, 2019. (<https://www.environmentallights.com/17872-el-led-mc.html>) (Year: 2019).*

Baknor, "Stamped Heat Sink", Wayback machine cache Jun. 10, 2015. (<http://www.baknorthermal.com/heat-sinks/stamped-heat-sinks>) (Year: 2015).*

* cited by examiner

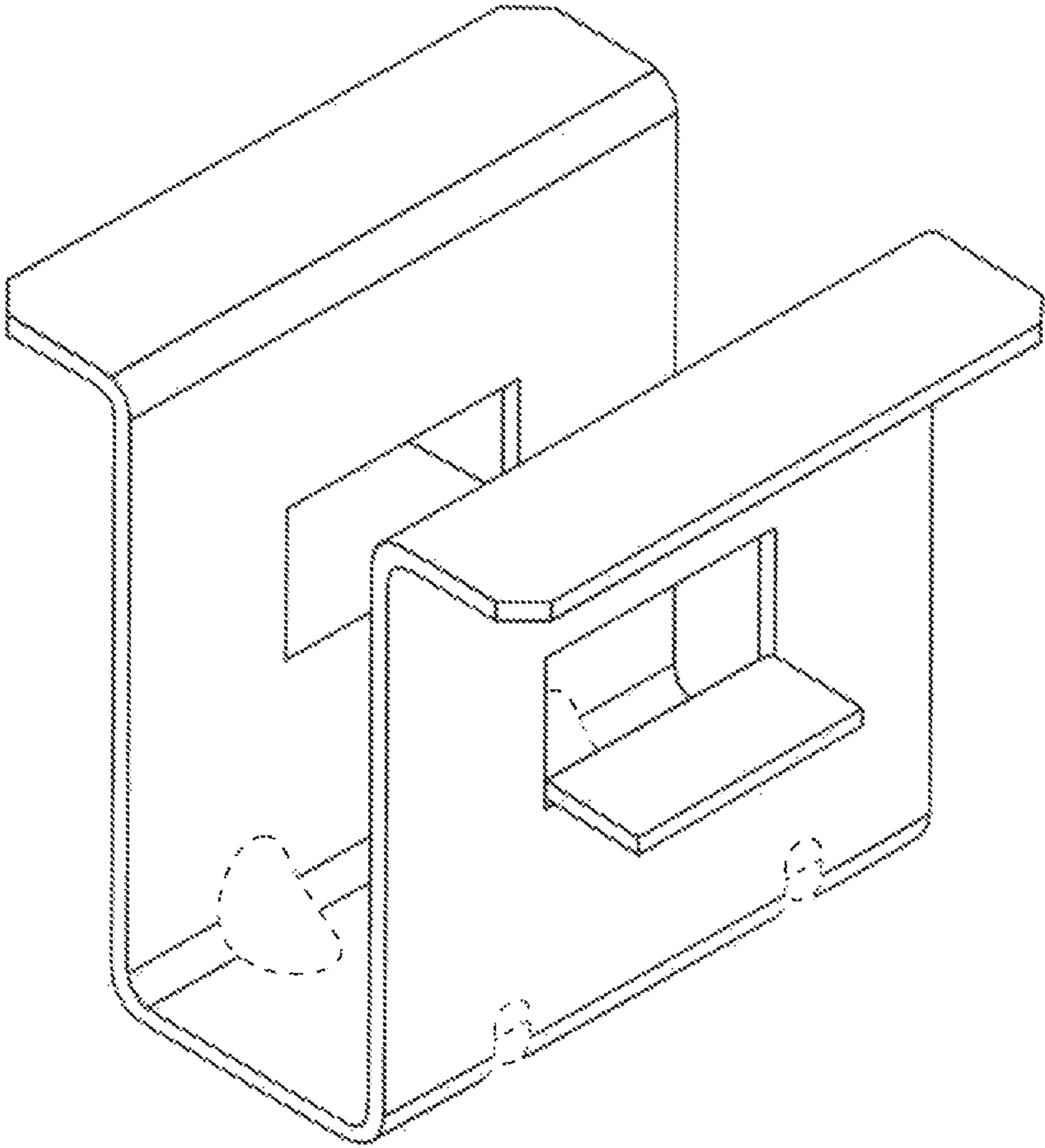


FIG. 1

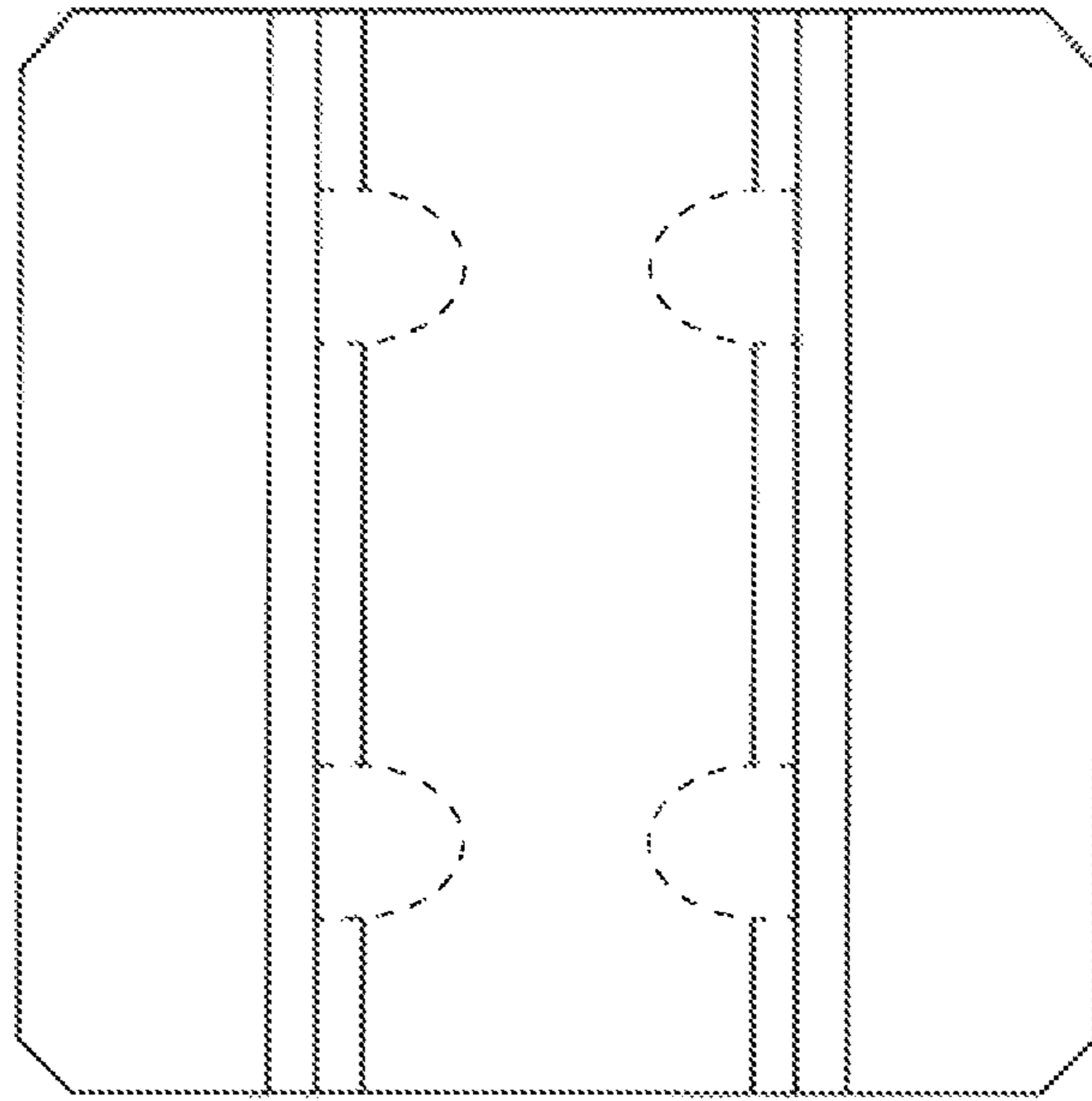


FIG. 2

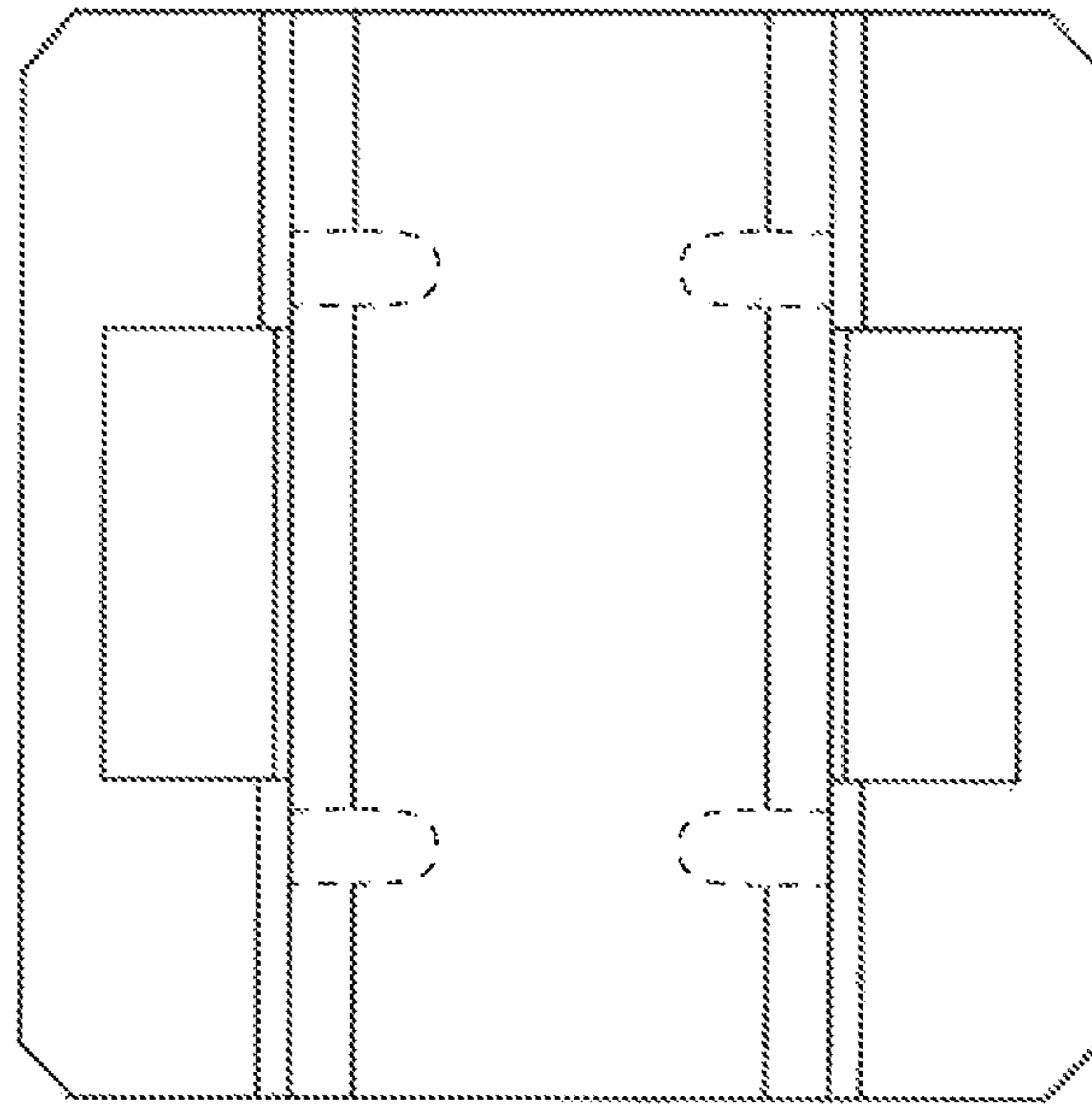


FIG. 3

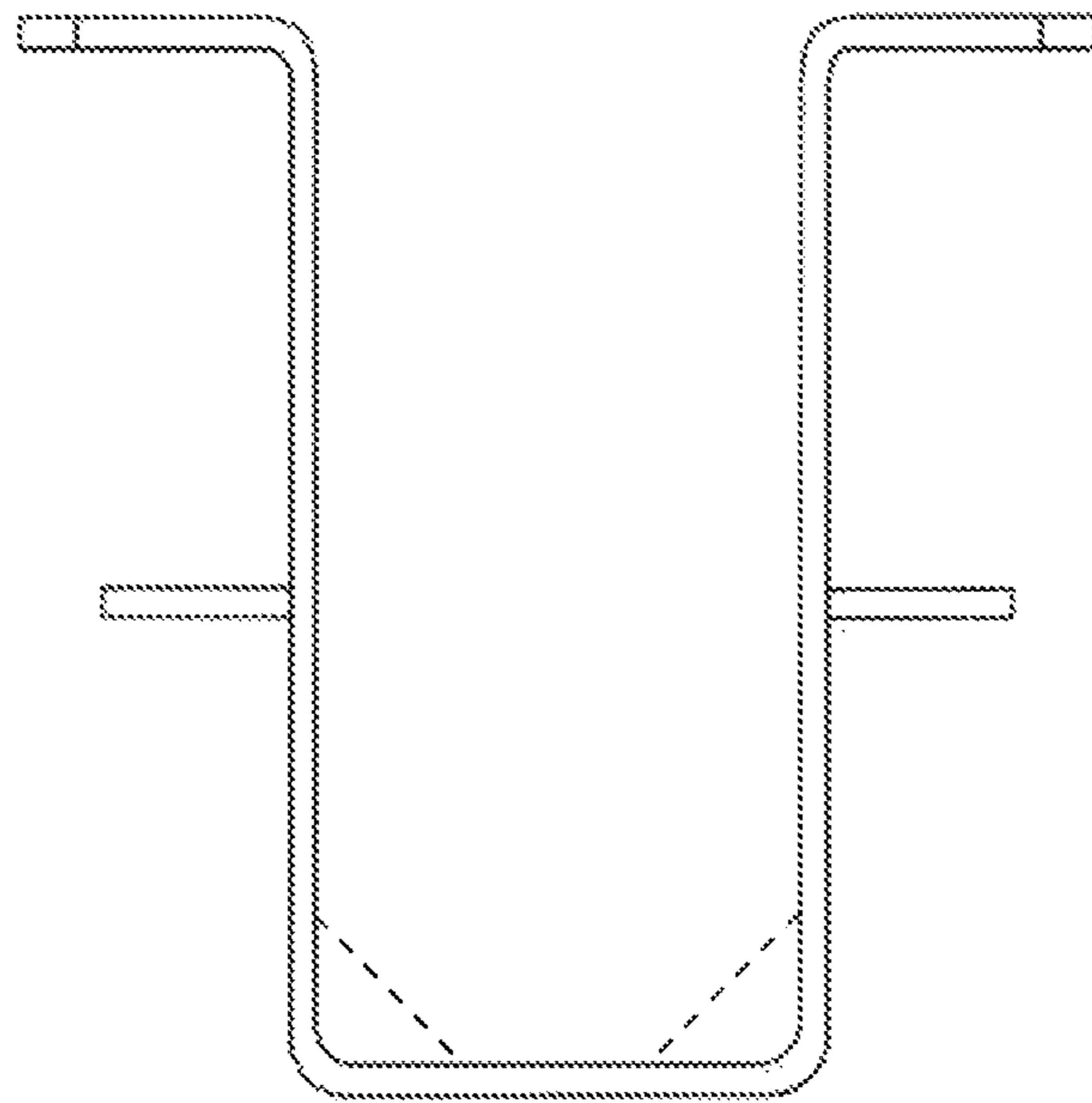


FIG. 4

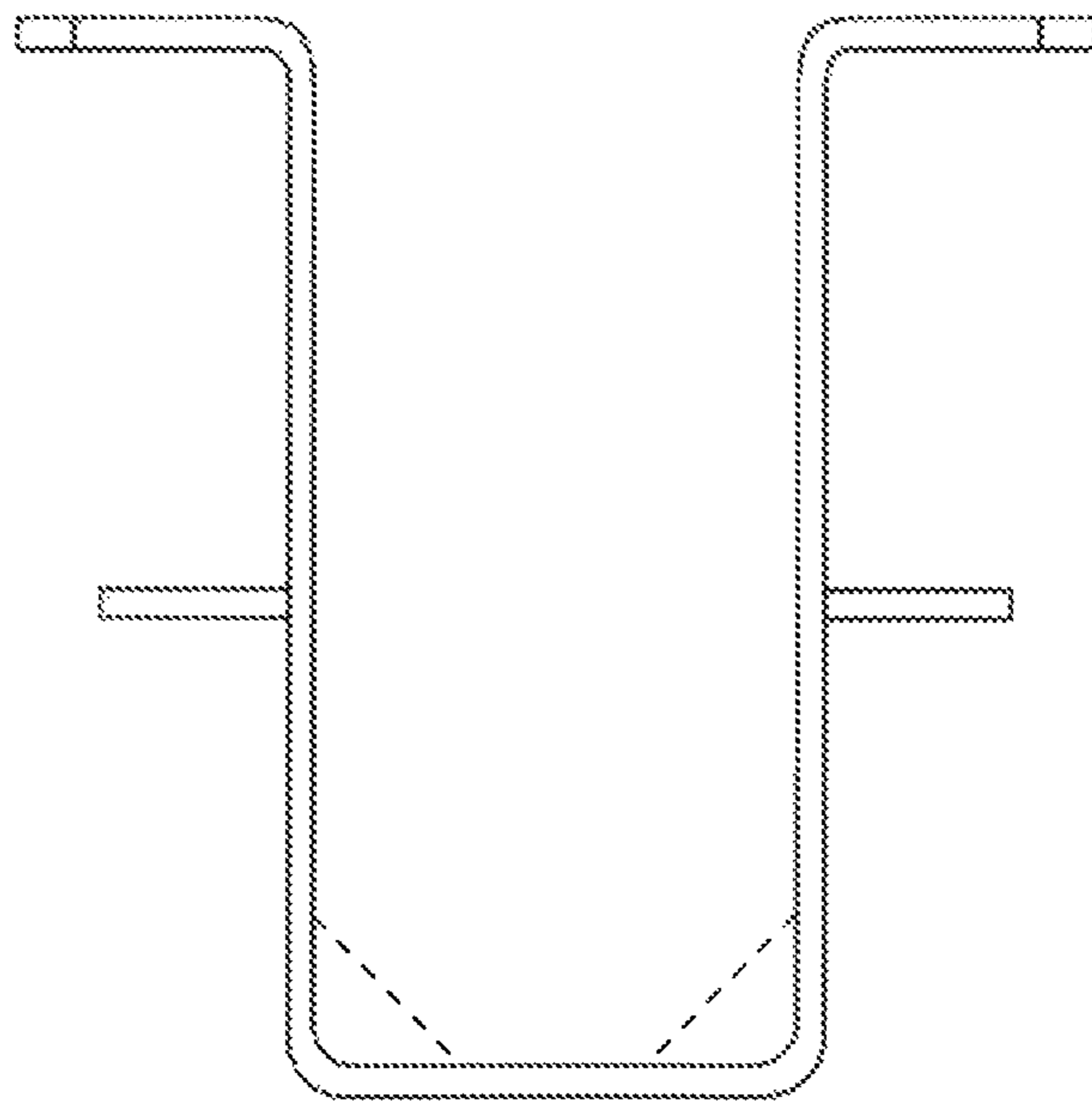


FIG. 5

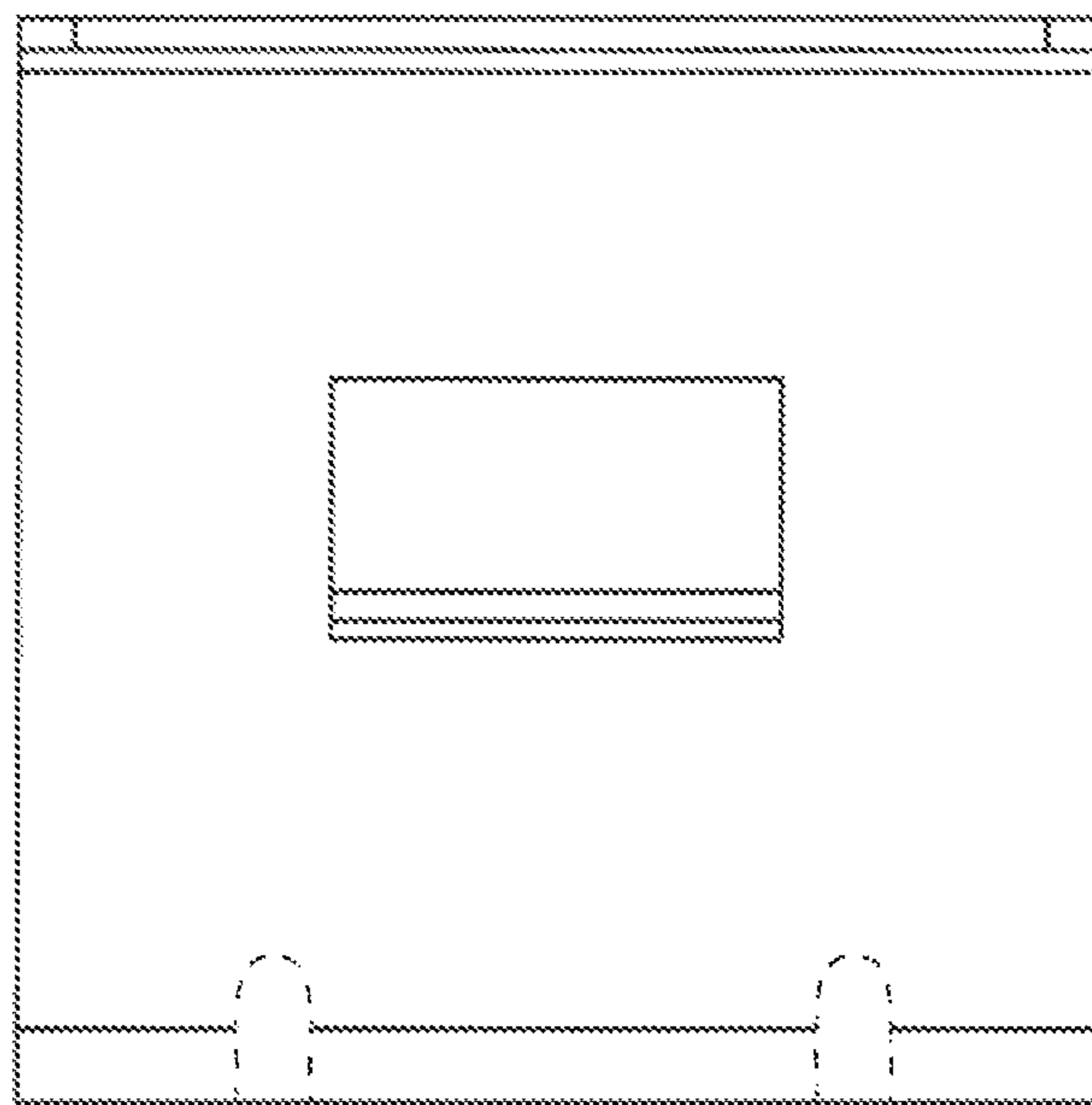


FIG. 6

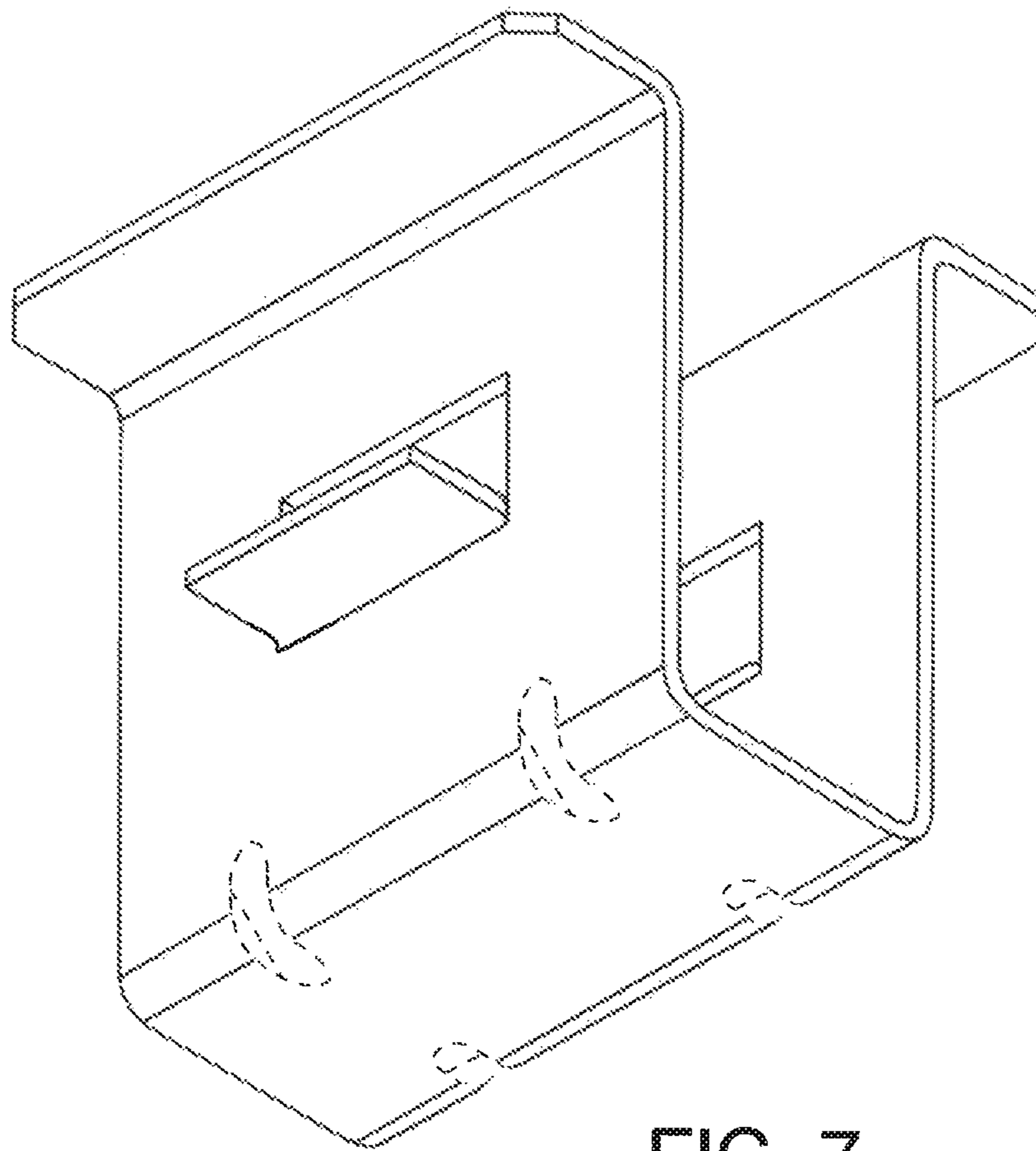


FIG. 7