



US00D878310S

(12) **United States Design Patent**
Dimberg et al.

(10) **Patent No.:** **US D878,310 S**
(45) **Date of Patent:** **** Mar. 17, 2020**

(54) **CONTROL DEVICE**

- (71) Applicant: **Lutron Technology Company LLC**,
Coopersburg, PA (US)
- (72) Inventors: **Chris Dimberg**, Easton, PA (US);
Susan Hakkarainen, Doylestown, PA
(US); **Jason C. Killo**, Emmaus, PA
(US); **Brad Michael Kreschollek**,
Bethlehem, PA (US); **Noel Mayo**,
Philadelphia, PA (US); **Matthew Philip
McDonald**, Phoenixville, PA (US)
- (73) Assignee: **Lutron Technology Company LLC**,
Coopersburg, PA (US)

- (**) Term: **15 Years**
- (21) Appl. No.: **29/669,956**
- (22) Filed: **Nov. 13, 2018**

Related U.S. Application Data

- (63) Continuation of application No. 29/629,790, filed on
Dec. 15, 2017, now Pat. No. Des. 839,847, which is
a continuation of application No. 29/566,966, filed on
Jun. 3, 2016, now Pat. No. Des. 808,912.
- (51) **LOC (12) Cl.** **13-03**
- (52) **U.S. Cl.**
USPC **D13/171; D13/168**
- (58) **Field of Classification Search**
USPC D13/162, 168, 171, 173, 174; D14/487,
D14/489; D10/104.1; D7/393; D8/310,
D8/312
CPC H01H 3/12; H01H 3/122; H01H 9/02;
H01H 9/16; H01H 9/18; H01H 9/181;
H01H 9/182; H01H 13/023; H01H 13/04;
H01H 13/06; H01H 13/14; H01H
2009/187; H05B 33/0803; H05B 33/0863;
H05B 37/02; H05B 37/0254; H05B
37/0272; H05B 39/02; H05B 39/04;
H05B 39/085; H05B 39/086; H05B
39/088; G08C 17/02; H03K 17/962

See application file for complete search history.

(56) **References Cited**

U.S. PATENT DOCUMENTS

D199,922 S	12/1964	Schlage
D362,841 S	10/1995	Roza
6,107,583 A	8/2000	Berfield
D441,346 S	5/2001	Bonn
D464,630 S	10/2002	Woodworth
D469,411 S	1/2003	Decosse
D515,516 S	2/2006	Mayo et al.

(Continued)

OTHER PUBLICATIONS

Legrand® / Pass & Seymour®, P&S Dimmers—DR Series Bro-
chure, 2010, 2 pages.

(Continued)

Primary Examiner — Selina Sikder

(74) *Attorney, Agent, or Firm* — Saidman DesignLaw
Group, LLC

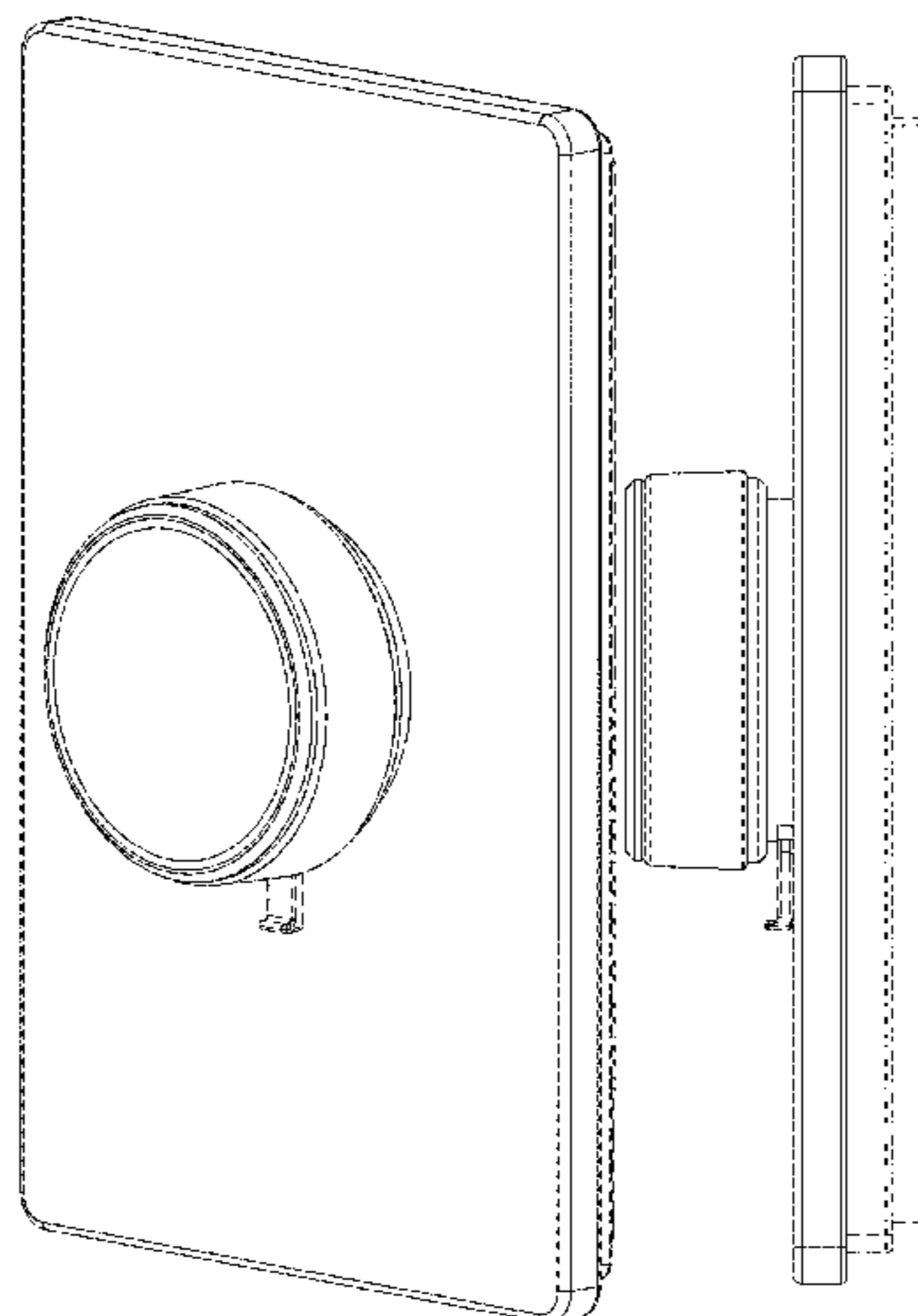
(57) **CLAIM**

The ornamental design for a control device, as shown and
described.

DESCRIPTION

FIG. 1 is a front perspective view of control device showing
our new design;
FIG. 2 is a front view thereof;
FIG. 3 is a left side view thereof;
FIG. 4 is a right side view thereof;
FIG. 5 is a top view thereof; and,
FIG. 6 is a bottom view thereof.
The dashed broken lines illustrate structure or features
which form no part of the claimed design; the broken lines
themselves form no part of the claimed design.

1 Claim, 4 Drawing Sheets



(56)

References Cited

U.S. PATENT DOCUMENTS

D558,692 S 1/2008 Neveu
 D589,463 S 3/2009 Sykes
 7,884,299 B2 2/2011 Glew
 D645,005 S 9/2011 Menheere
 D654,880 S 2/2012 Lam
 D687,328 S 8/2013 Clymer et al.
 8,786,196 B2 7/2014 Biery et al.
 D713,236 S 9/2014 Park
 D725,612 S 3/2015 Schlegel et al.
 D748,648 S 2/2016 Kim et al.
 D755,037 S 5/2016 Czerwinski, Jr. et al.
 9,337,943 B2 5/2016 Mosebrook et al.
 D761,277 S 7/2016 Harvell
 D762,716 S 8/2016 Yang et al.
 D763,308 S 8/2016 Wang et al.
 D766,844 S 9/2016 Turksu et al.
 D786,932 S 5/2017 Kim et al.
 D808,912 S 1/2018 Dimberg et al.
 D814,428 S 4/2018 Dimberg et al.
 D839,847 S * 2/2019 Dimberg D13/171
 D846,508 S * 4/2019 Dimberg D13/171
 2007/0057922 A1 3/2007 Schultz et al.
 2007/0102275 A1 5/2007 Genz et al.
 2007/0193867 A1 8/2007 Lorenzo Riera et al.
 2010/0175971 A1 7/2010 Kim et al.
 2013/0328500 A1 12/2013 Toda
 2014/0042002 A1 2/2014 Chu

2014/0117871 A1 5/2014 Swatsky et al.
 2015/0371534 A1 12/2015 Dimberg et al.
 2017/0354022 A1 12/2017 Dimberg et al.

OTHER PUBLICATIONS

Legrand®, Dimmers Brochure, 2015, 18 pages.
 Lumenpulse™, Lumentone™ Specification Sheet, 2013, 4 pages.
 Lumenpulse™, Lumentone™ Installation Instructions, 2013, 1 page.
 Lumenpulse™, Lumentone™ Quick Reference Guide, 2015, 3 pages.
 Electronic Theatre Controls, Inc., Echo Inspire® Station Programming Guide, Software Version 2.0.1, Feb. 2015, 44 pages.
 Electronic Theatre Controls, Inc., Echo Inspire® Control Stations, <URL:https://www.etccconnect.com/Products/Architectural-Systems/Echo/Control-Stations/Inspire-Control-Stations/Features.aspx>, available from Internet at least as early as Jul. 15, 2014 [site visited May 9, 2018].
 Electronic Theatre Controls, Inc., Echo Inspire® Control Station: 4-Button with Fader Knob, photograph taken on May 8, 2018.
 U.S. Appl. No. 62/345,449, filed Jun. 3, 2016 (unpublished).
 U.S. Appl. No. 62/345,222, filed Jun. 3, 2016 (unpublished).
 U.S. Appl. No. 29/566,959, filed Jun. 3, 2016 (unpublished).
 U.S. Appl. No. 29/569,786, filed Jun. 30, 2016 (unpublished).
 U.S. Appl. No. 29/594,200, filed Feb. 16, 2017 (unpublished).
 U.S. Appl. No. 29/594,202, filed Feb. 16, 2017 (unpublished).
 U.S. Appl. No. 29/597,335, filed Mar. 16, 2017 (unpublished).

* cited by examiner

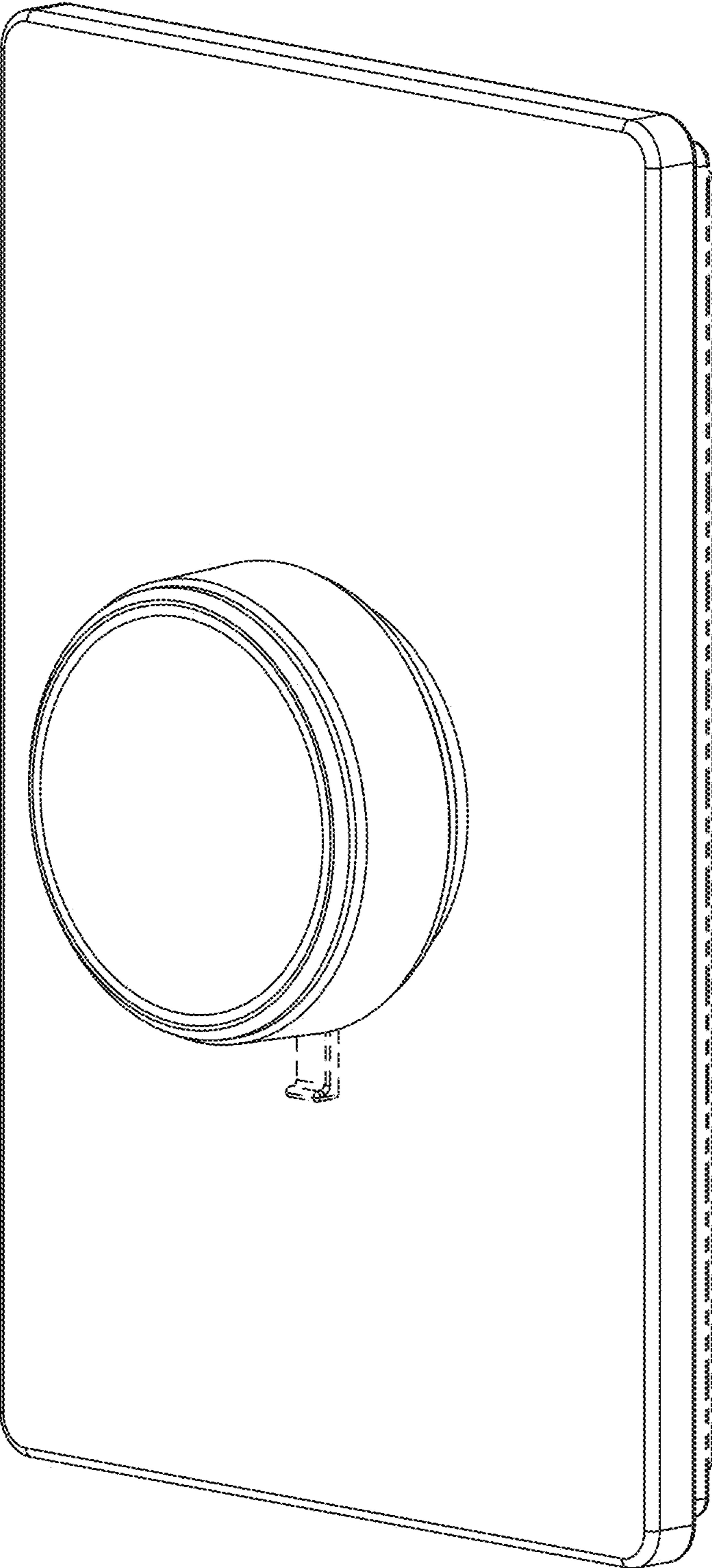


FIG. 1

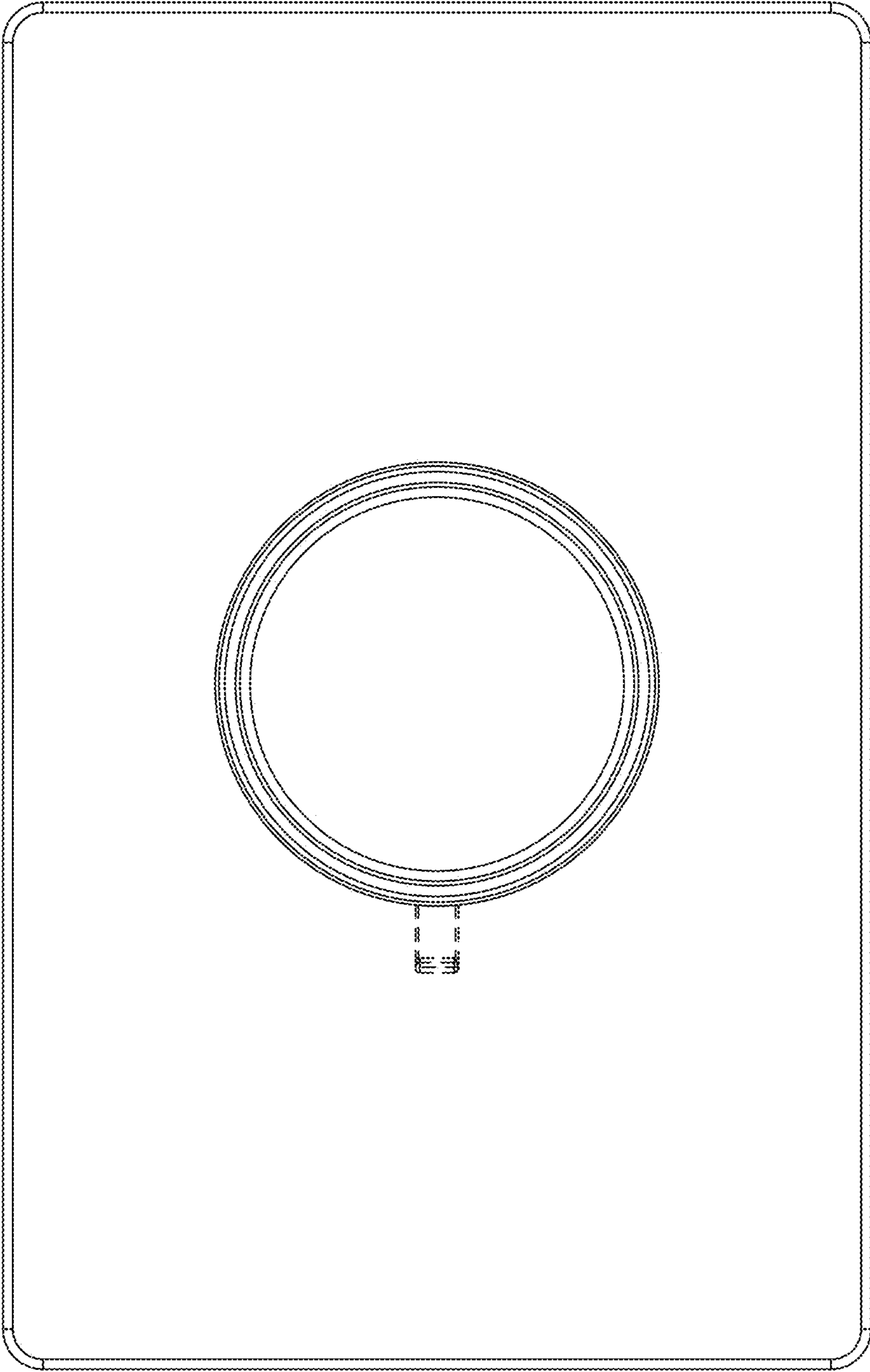


FIG. 2

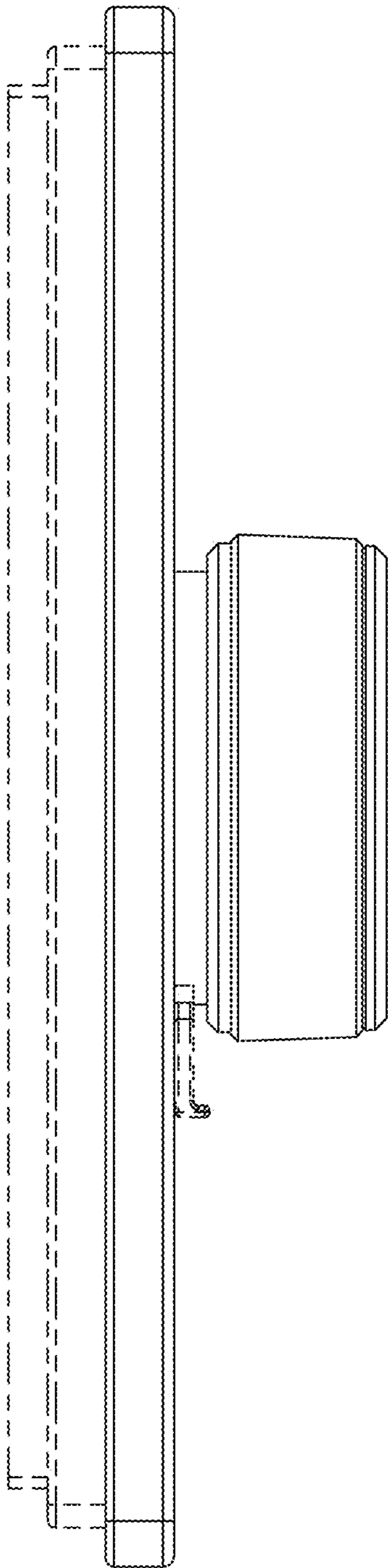


FIG. 3

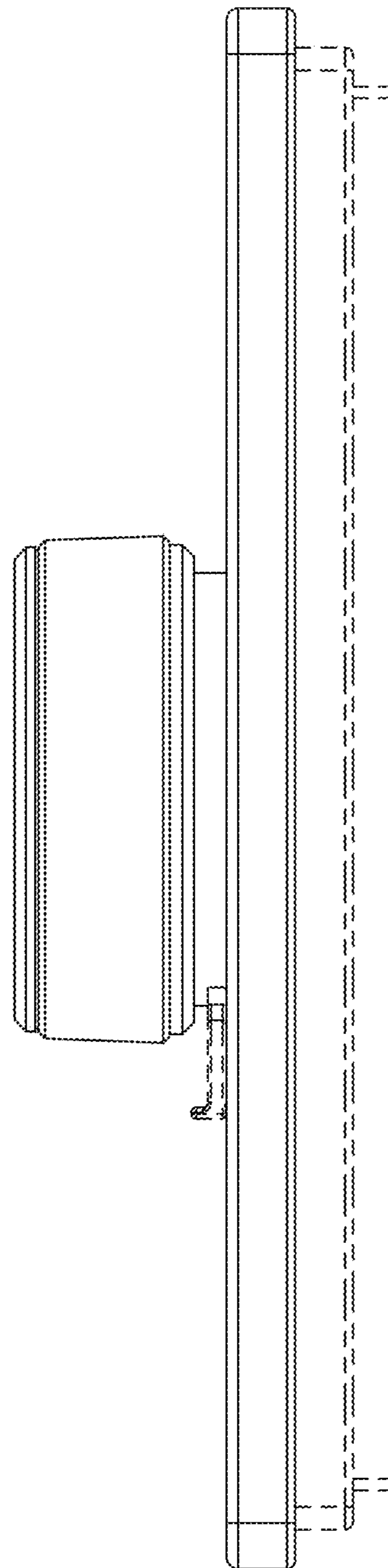


FIG. 4

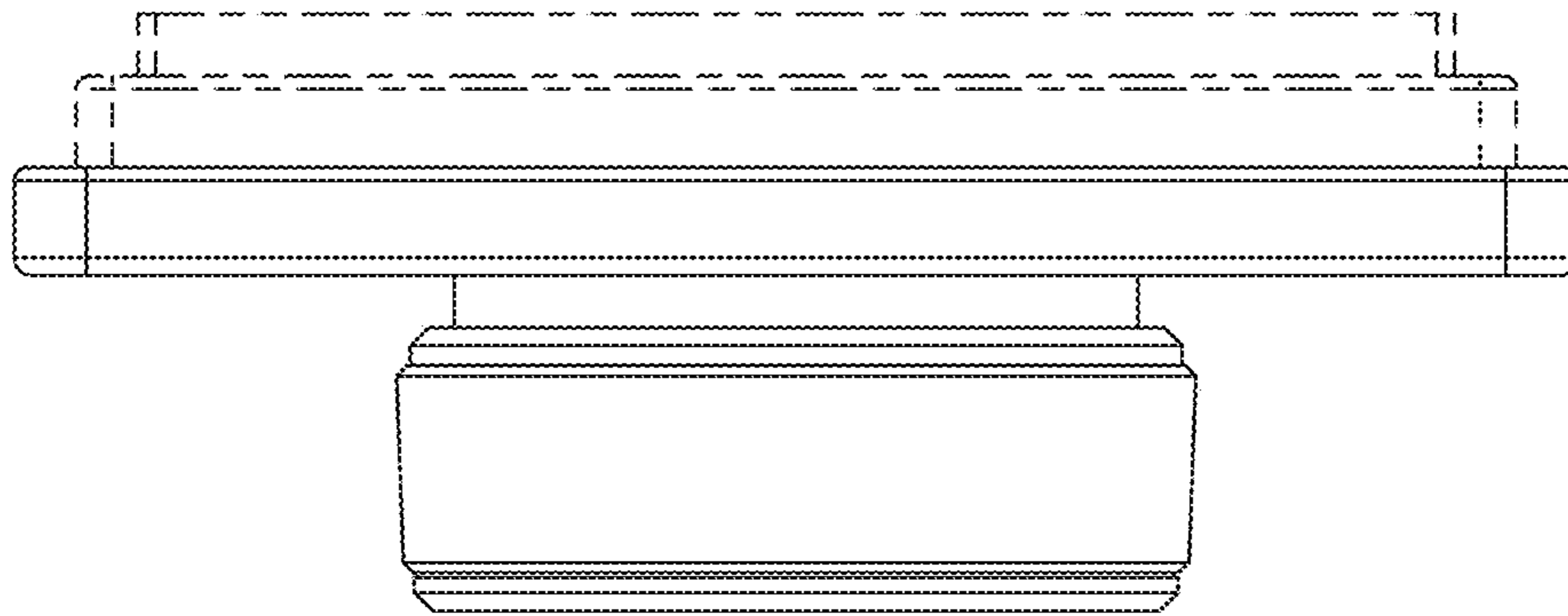


FIG. 5

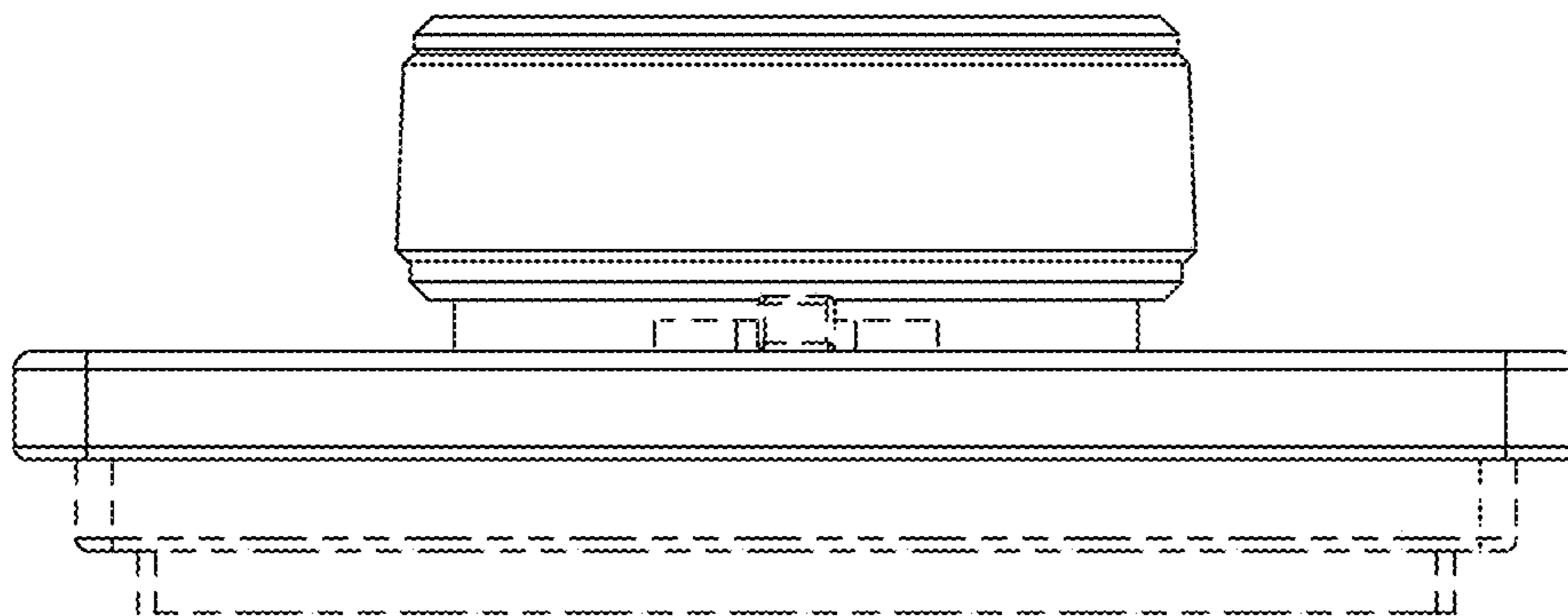


FIG. 6