



US00D878308S

(12) **United States Design Patent**
Engler et al.

(10) **Patent No.:** **US D878,308 S**
(45) **Date of Patent:** **** Mar. 17, 2020**

(54) **PEDAL SWITCH FOR A SURGICAL NAVIGATION SYSTEM**

(71) Applicant: **AESCULAP AG**, Tuttlingen (DE)

(72) Inventors: **Bertold Engler**, München (DE); **Stefan Gassner**, Immendingen-Hattingen (DE)

(73) Assignee: **Aesculap AG** (DE)

(**) Term: **15 Years**

(21) Appl. No.: **29/608,566**

(22) Filed: **Jun. 22, 2017**

(30) **Foreign Application Priority Data**

Dec. 23, 2016 (EM) 003536408

(51) **LOC (12) Cl.** **13-03**

(52) **U.S. Cl.**
USPC **D13/167**

(58) **Field of Classification Search**
USPC D24/144, 107, 127, 167, 169-170, 172,
D24/179, 185; D13/167, 169, 174;
D17/1, 9, 20, 99; 84/721, 746; 606/1,
606/13, 32, 41; 200/86.5; 307/119;
433/101

CPC G05G 1/503; H01H 3/02; H01H 3/04;
H01H 3/14; H01H 9/02; H01H 13/16;
H01H 19/001; H01H 19/14; H01H 21/26

See application file for complete search history.

(56) **References Cited**

U.S. PATENT DOCUMENTS

D292,022 S * 9/1987 Bullock D24/216
5,423,231 A * 6/1995 Helfrich A61C 1/0023
200/86.5

6,452,123 B1 * 9/2002 Chen G05G 1/30
200/86.5
D478,323 S * 8/2003 Peterson D13/167
D478,874 S * 8/2003 Moll D13/167
D558,690 S * 1/2008 Anderson, Jr. D13/169
D740,766 S * 10/2015 Falkenberg D13/169
D766,841 S * 9/2016 Alvarez D13/167
2005/0103607 A1 * 5/2005 Mezhinsky H01H 3/14
200/86.5
2006/0145540 A1 * 7/2006 Mezhinsky A61F 9/00745
307/119
2007/0152508 A1 * 7/2007 Mezhinsky A61F 9/00736
307/119
2008/0114387 A1 * 5/2008 Hertweck A61F 9/00745
606/170
2008/0243105 A1 * 10/2008 Horvath A61B 17/32002
606/1

* cited by examiner

Primary Examiner — Nathan M Johnston

(74) *Attorney, Agent, or Firm* — RatnerPrestia

(57) **CLAIM**

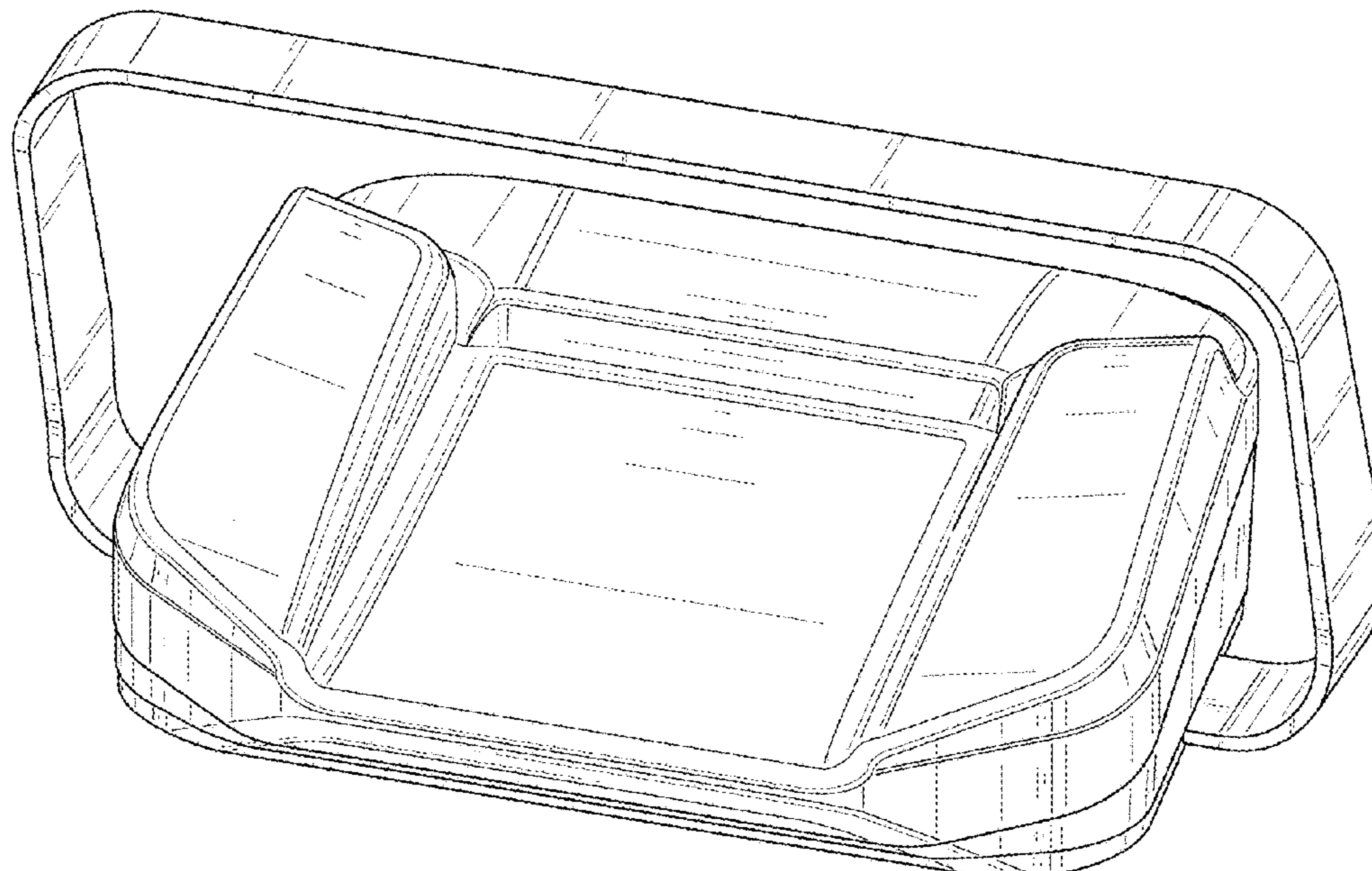
The ornamental design for a pedal switch for surgical navigation device, as shown and described.

DESCRIPTION

FIG. 1 is a perspective view of a pedal switch for a surgical navigation device showing our new design; FIG. 2 is a front elevation view thereof; FIG. 3 is a rear elevation view thereof; FIG. 4 is a first side elevation view thereof; FIG. 5 is a second side elevation view thereof; FIG. 6 is a top plan view thereof; and, FIG. 7 is a bottom plan view thereof.

The broken lines show portions of the design that form no part of the claimed design.

1 Claim, 7 Drawing Sheets



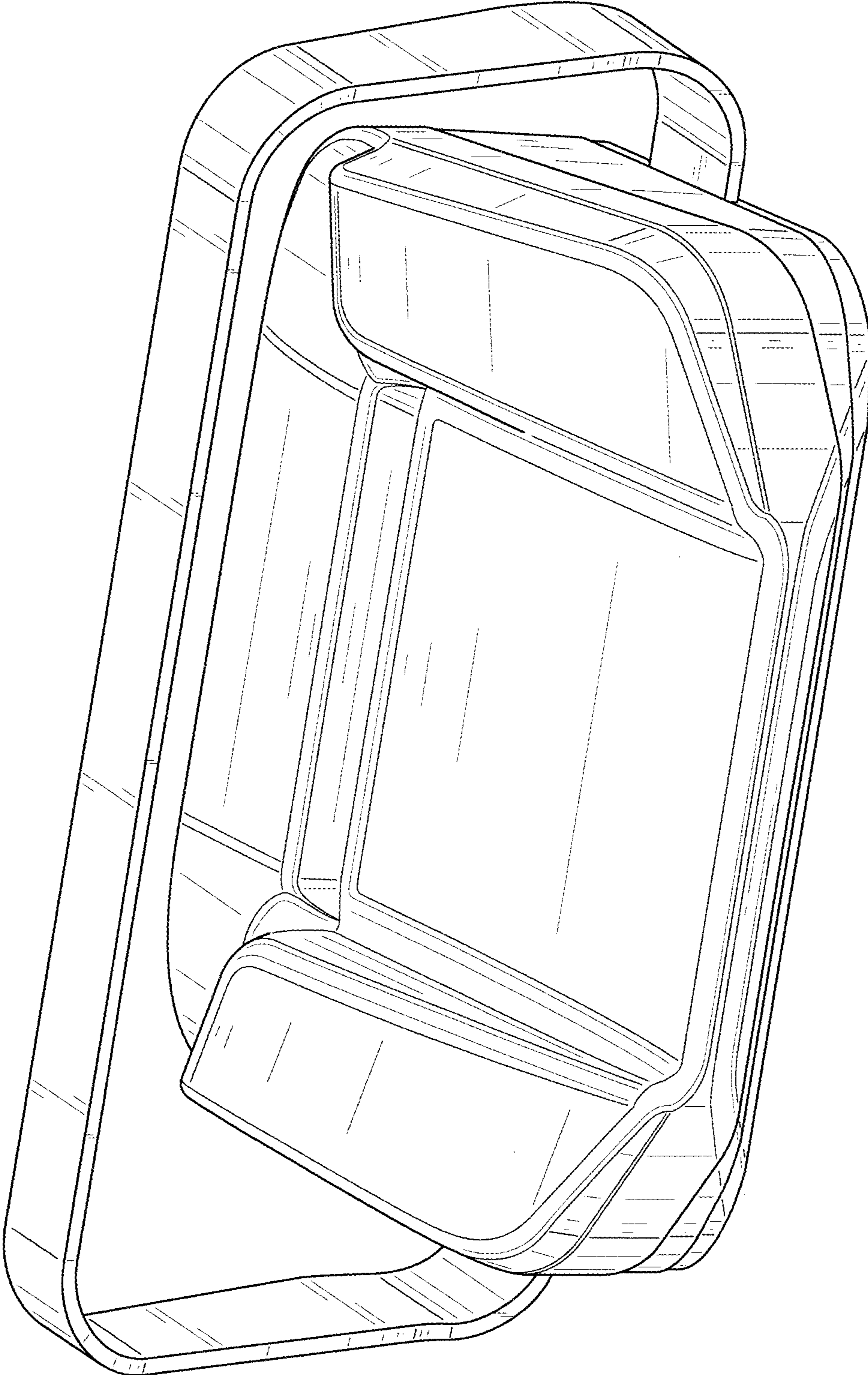


FIG. 1

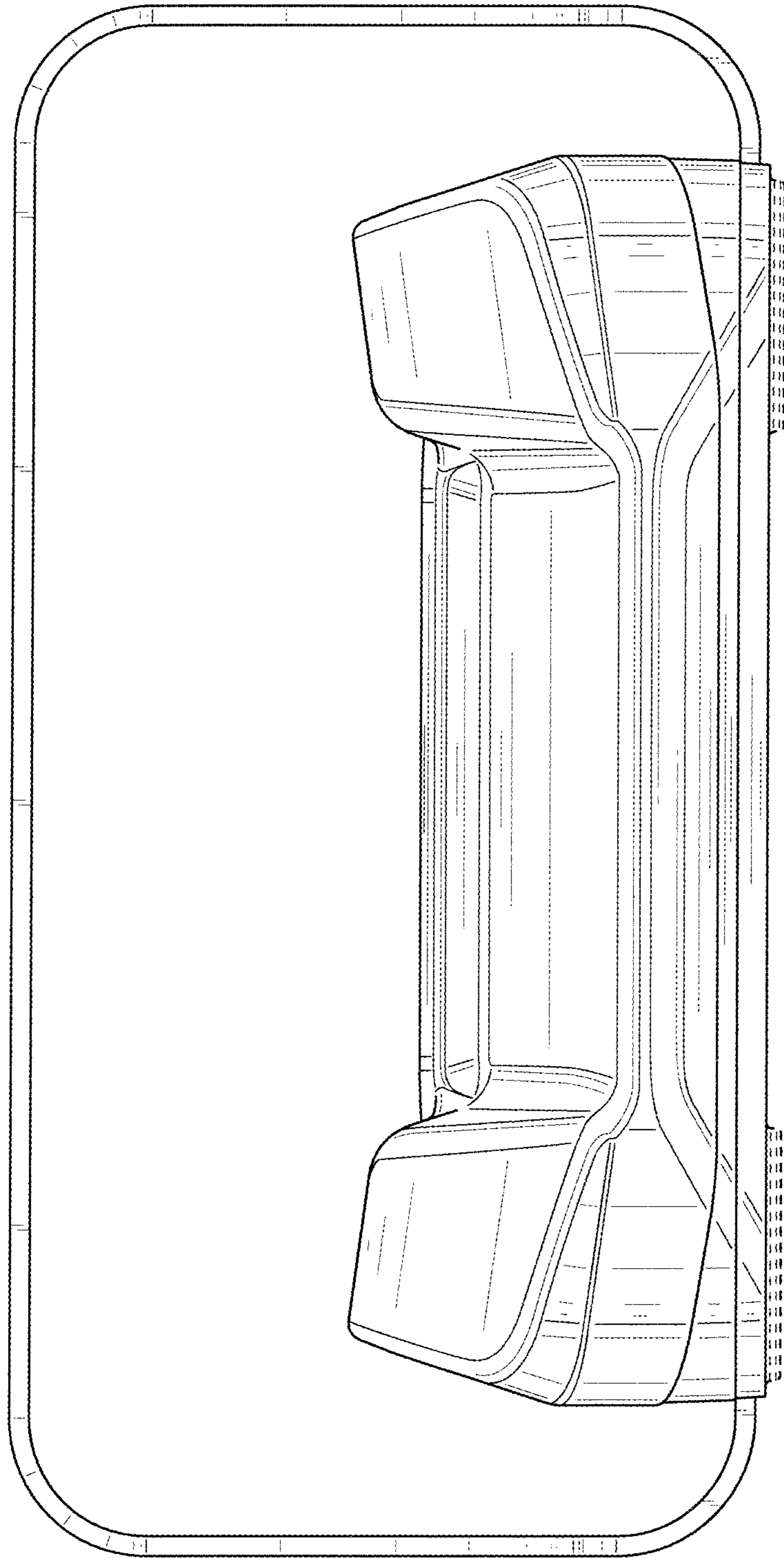


FIG. 2



FIG. 3

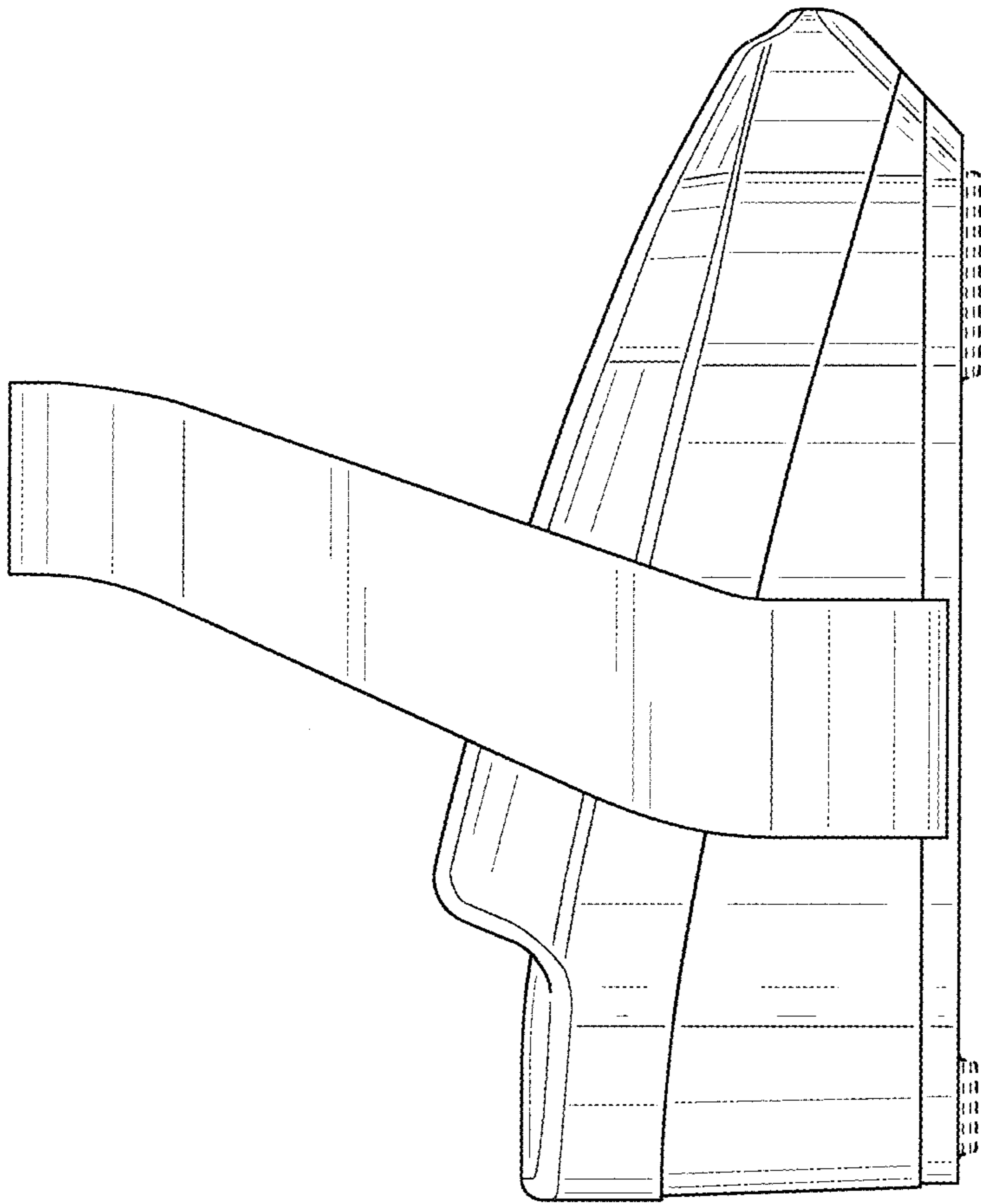


FIG. 4

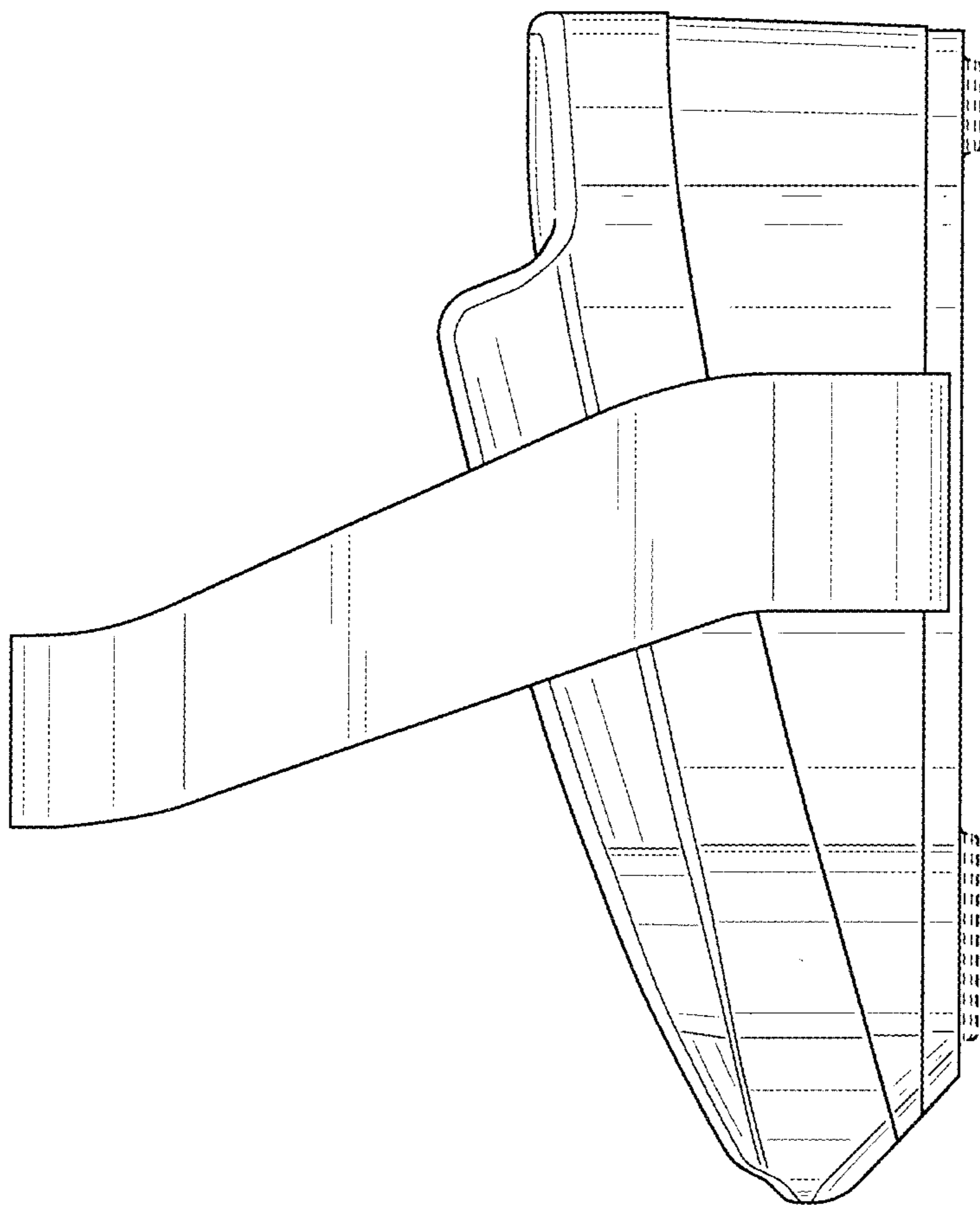


FIG. 5

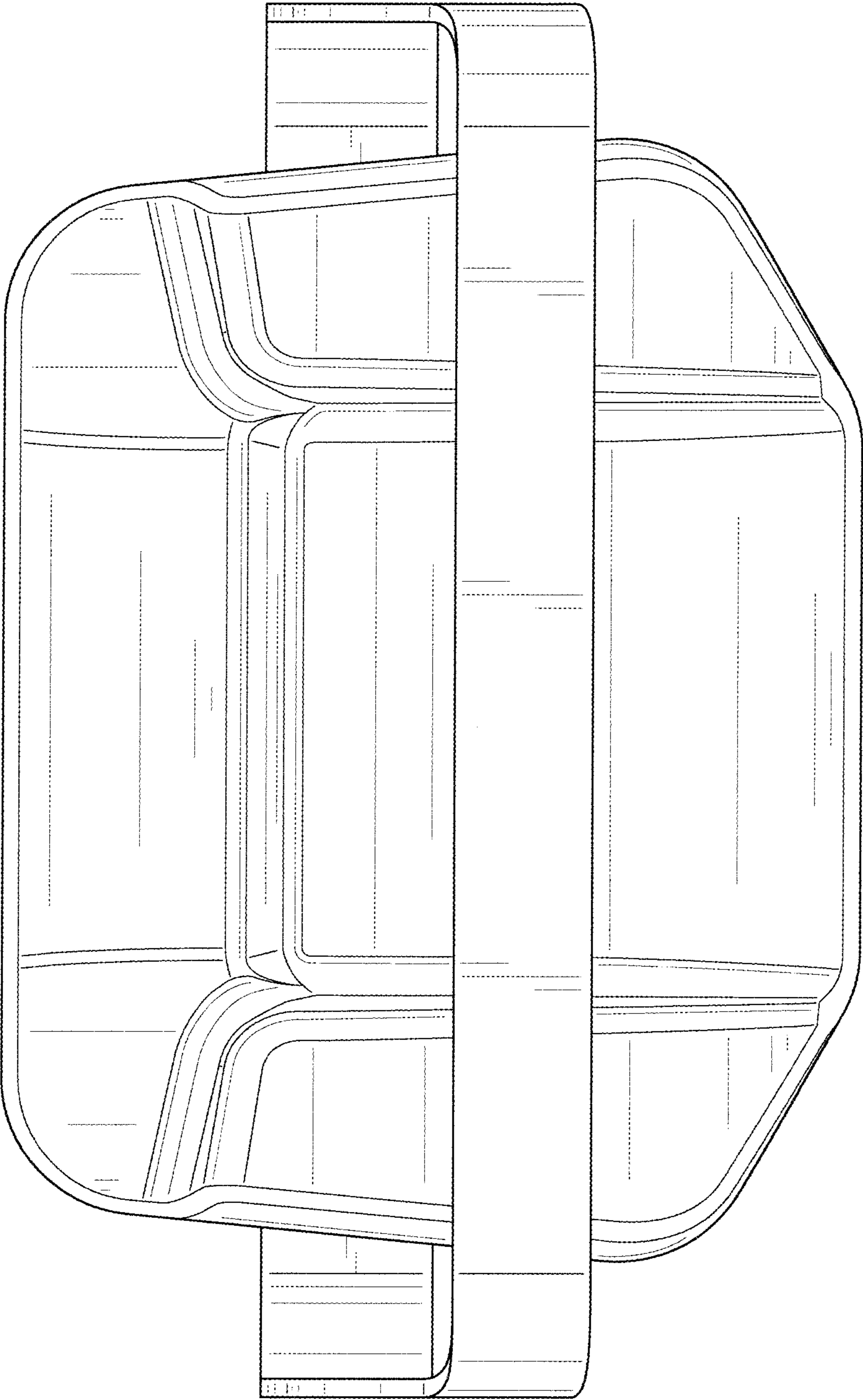


FIG. 6

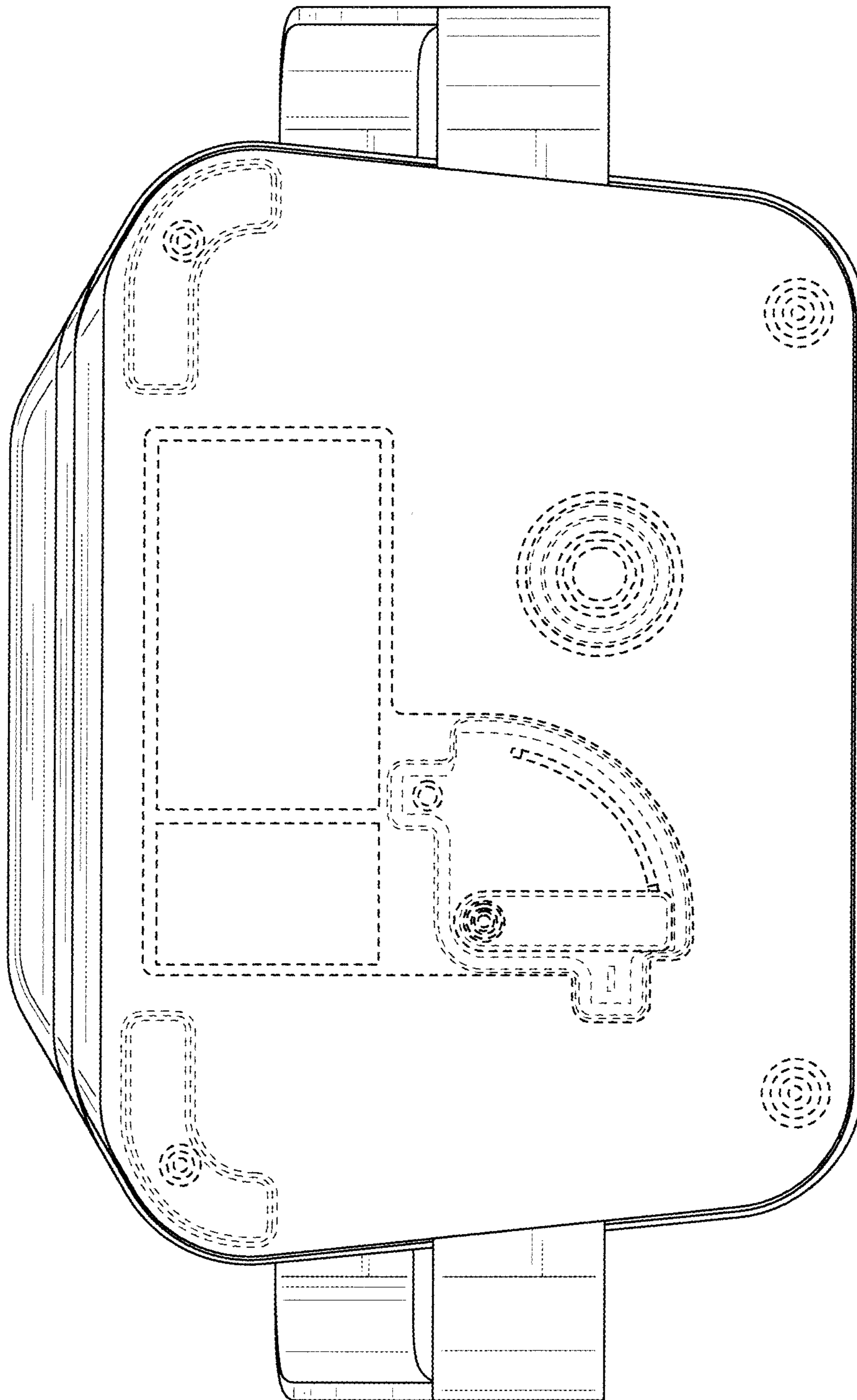


FIG. 7