



US00D878307S

(12) **United States Design Patent**
Van Acker et al.

(10) **Patent No.:** **US D878,307 S**
(45) **Date of Patent:** **** Mar. 17, 2020**

(54) **ELECTRONIC PRESSURE SWITCH**

(71) Applicant: **Abac Aria Compressa S.p.A.**,
Robassomero TO (IT)

(72) Inventors: **Maarten Van Acker**, Wilrijk (BE);
Daniele Berardelli, Wilrijk (BE);
Neslihan Topçu, Wilrijk (BE)

(73) Assignee: **ABAC ARIA COMPRESSA S.P.A.**,
Robassomero TO (IT)

(**) Term: **15 Years**

(21) Appl. No.: **29/666,387**

(22) Filed: **Oct. 12, 2018**

(30) **Foreign Application Priority Data**

May 4, 2018 (EM) 005258332-0002

(51) **LOC (12) Cl.** **13-03**

(52) **U.S. Cl.**
USPC **D13/158**

(58) **Field of Classification Search**
USPC D13/110, 112, 118, 123, 133, 152, 154,
D13/158-162.1, 169-171, 173, 175, 178,
D13/184, 199
CPC A01G 25/16; G01L 9/00; G01L 19/003;
G08B 12/00; H01H 35/24; H01H 35/26;
H01H 35/36

See application file for complete search history.

(56) **References Cited**

U.S. PATENT DOCUMENTS

D299,516 S * 1/1989 Wang D23/200
D389,124 S * 1/1998 Givati D13/184

D428,856 S * 8/2000 Fujimaki D13/168
D477,287 S * 7/2003 Roman D13/162
D559,195 S * 1/2008 Tamaoki D13/158
D635,936 S * 4/2011 Reiser D13/158
D682,715 S * 5/2013 Wang D10/122
D691,965 S * 10/2013 Bedolla D13/162
D744,961 S * 12/2015 Franchini D10/40
D772,171 S * 11/2016 Ohmori D13/158
D847,764 S * 5/2019 Saitoh D13/158
2008/0291035 A1 * 11/2008 Kawakami G01L 19/003
340/626
2013/0211603 A1 * 8/2013 Brundisini A01G 25/16
700/284

* cited by examiner

Primary Examiner — Angela J Lee

Assistant Examiner — Shawn T Gingrich

(74) *Attorney, Agent, or Firm* — Bacon & Thomas, PLLC

(57) **CLAIM**

The ornamental design for an electronic pressure switch, as shown and described.

DESCRIPTION

FIG. 1 is a top perspective view of the electronic pressure switch.

FIG. 2 is a front view of the electronic pressure switch.

FIG. 3 is a rear view of the electronic pressure switch.

FIG. 4 is a right side view of the electronic pressure switch.

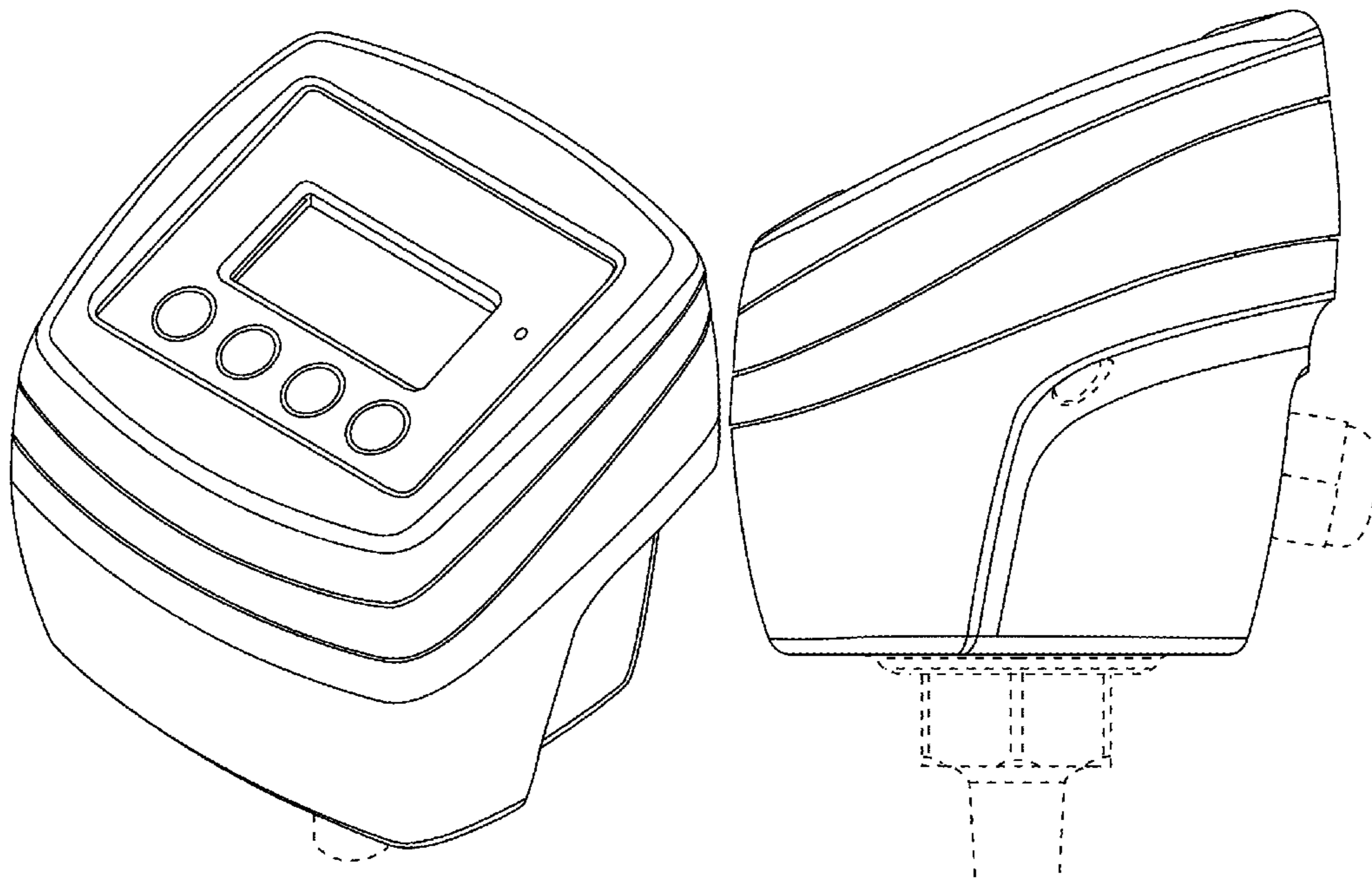
FIG. 5 is a left side view of the electronic pressure switch.

FIG. 6 is a top view of the electronic pressure switch; and,

FIG. 7 is a bottom view of the electronic pressure switch.

The broken lines in the drawings illustrate portions of the article that form no part of the claimed design.

1 Claim, 7 Drawing Sheets



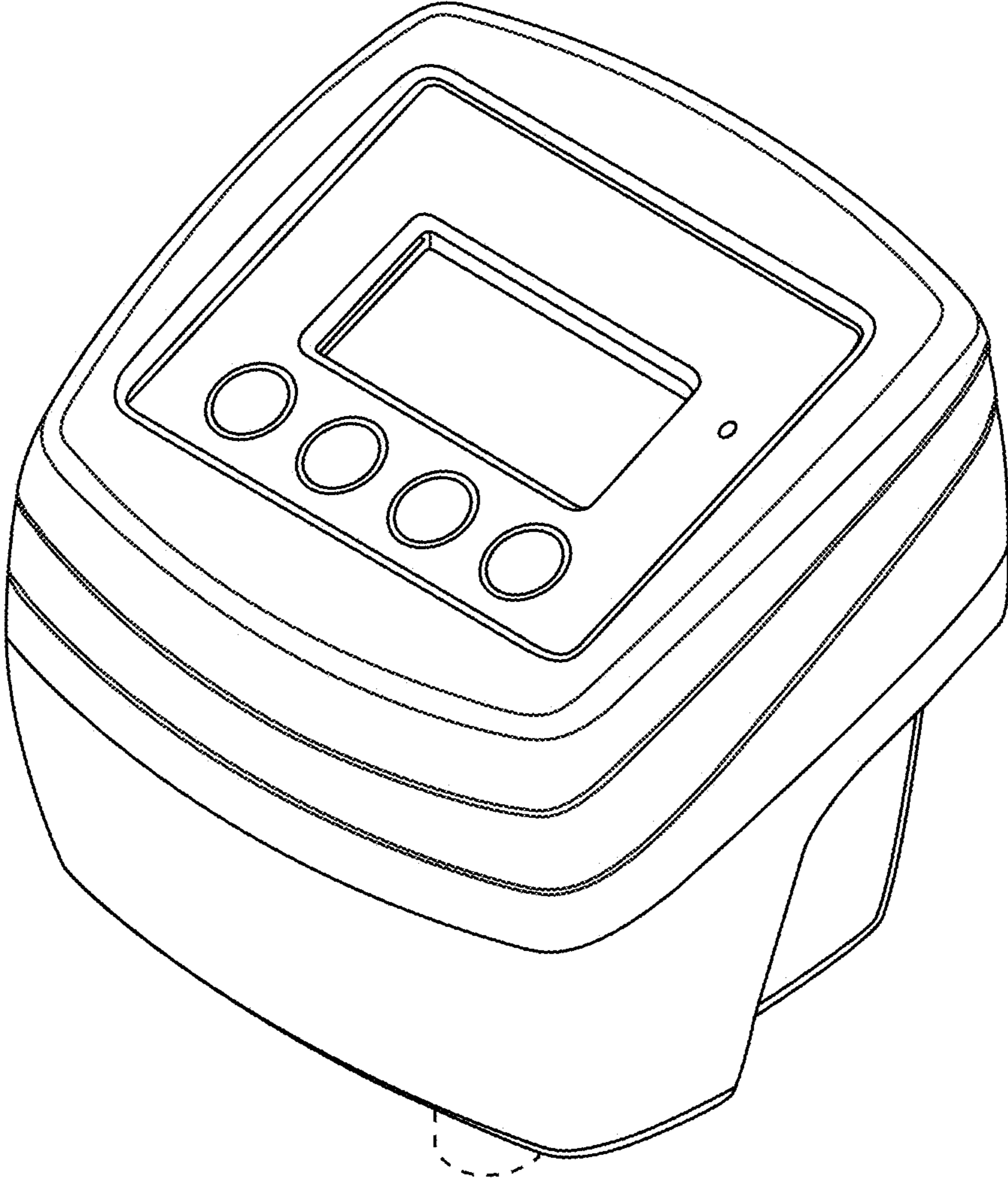


FIG. 1

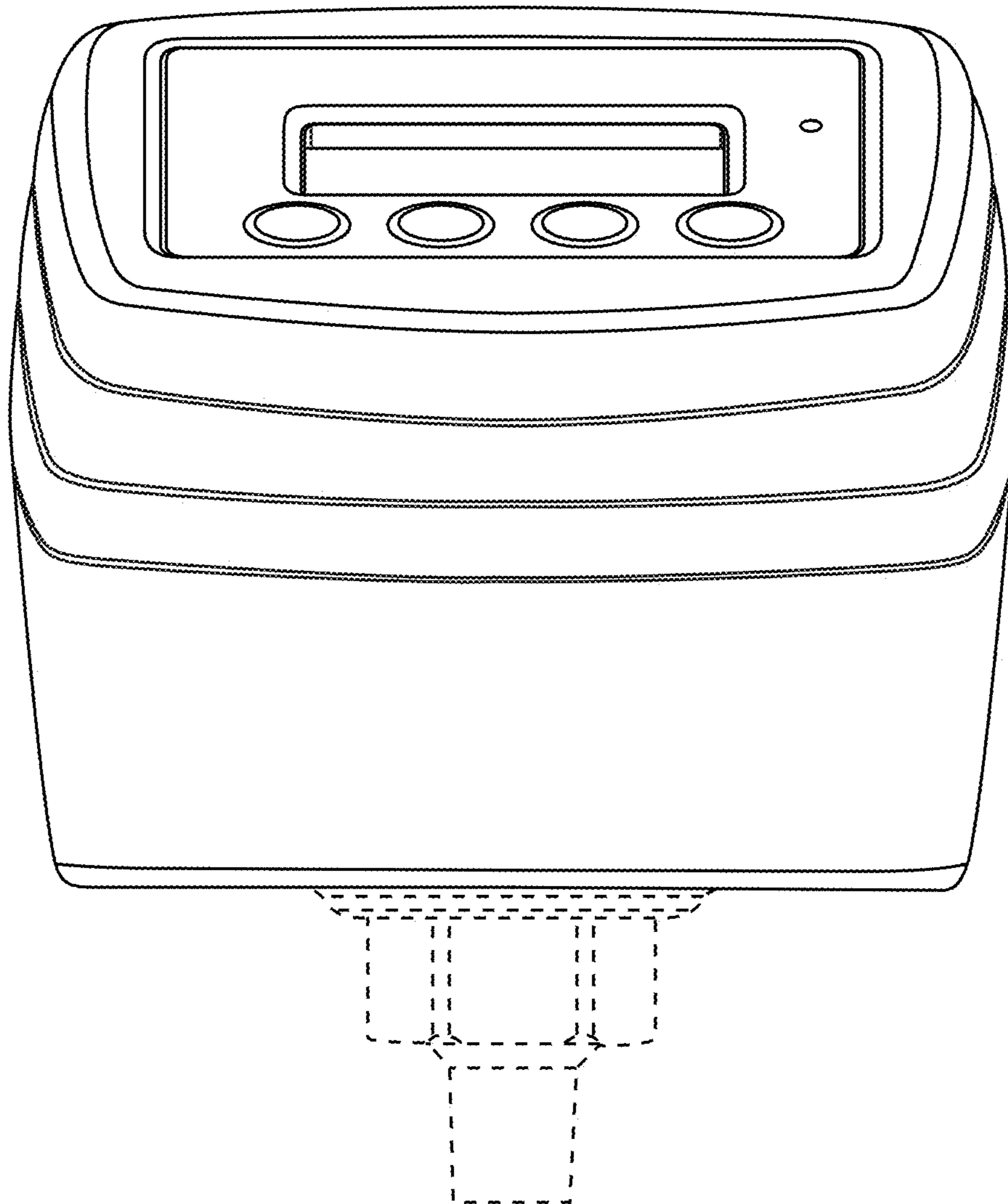


FIG. 2

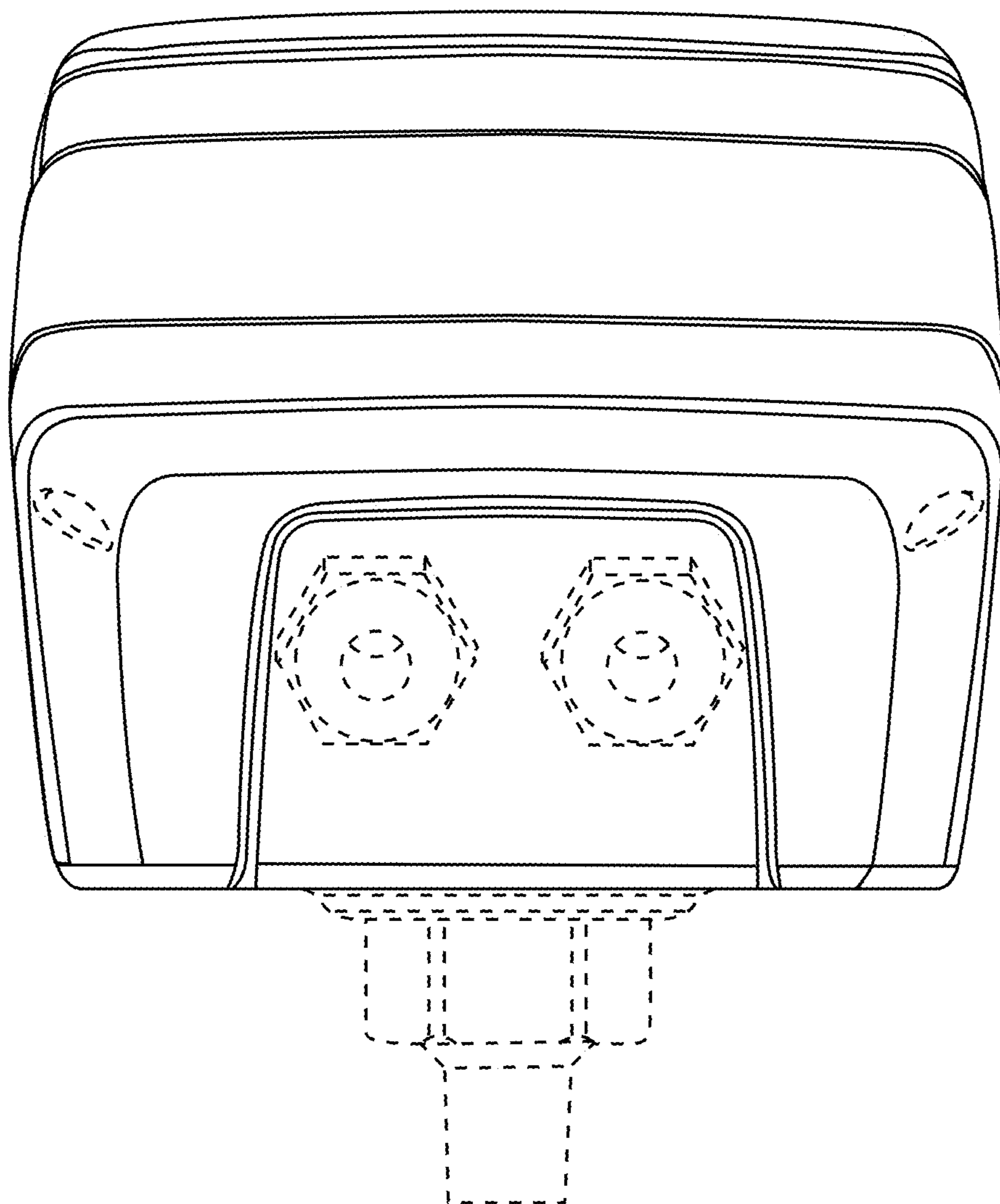


FIG. 3

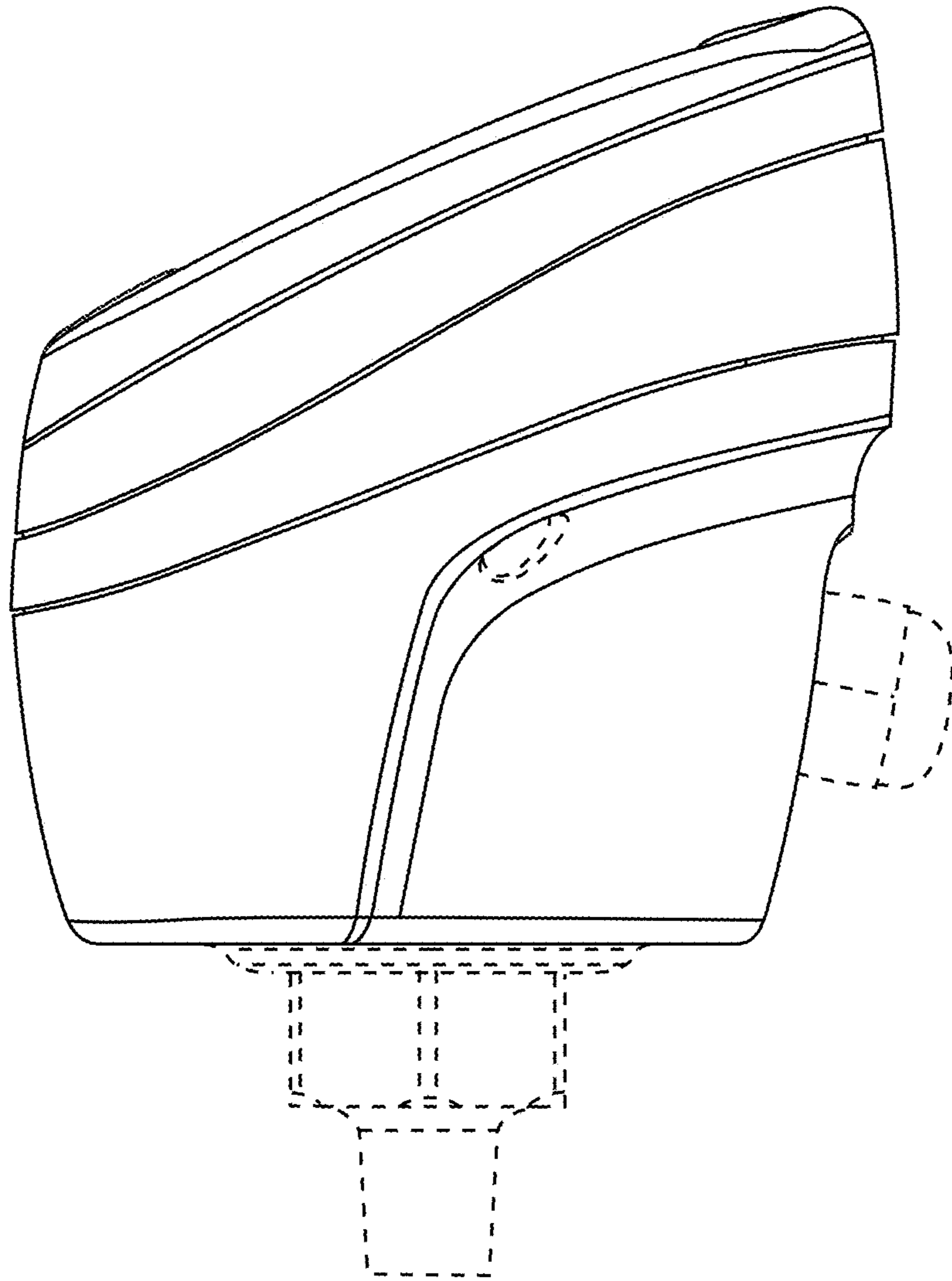


FIG. 4

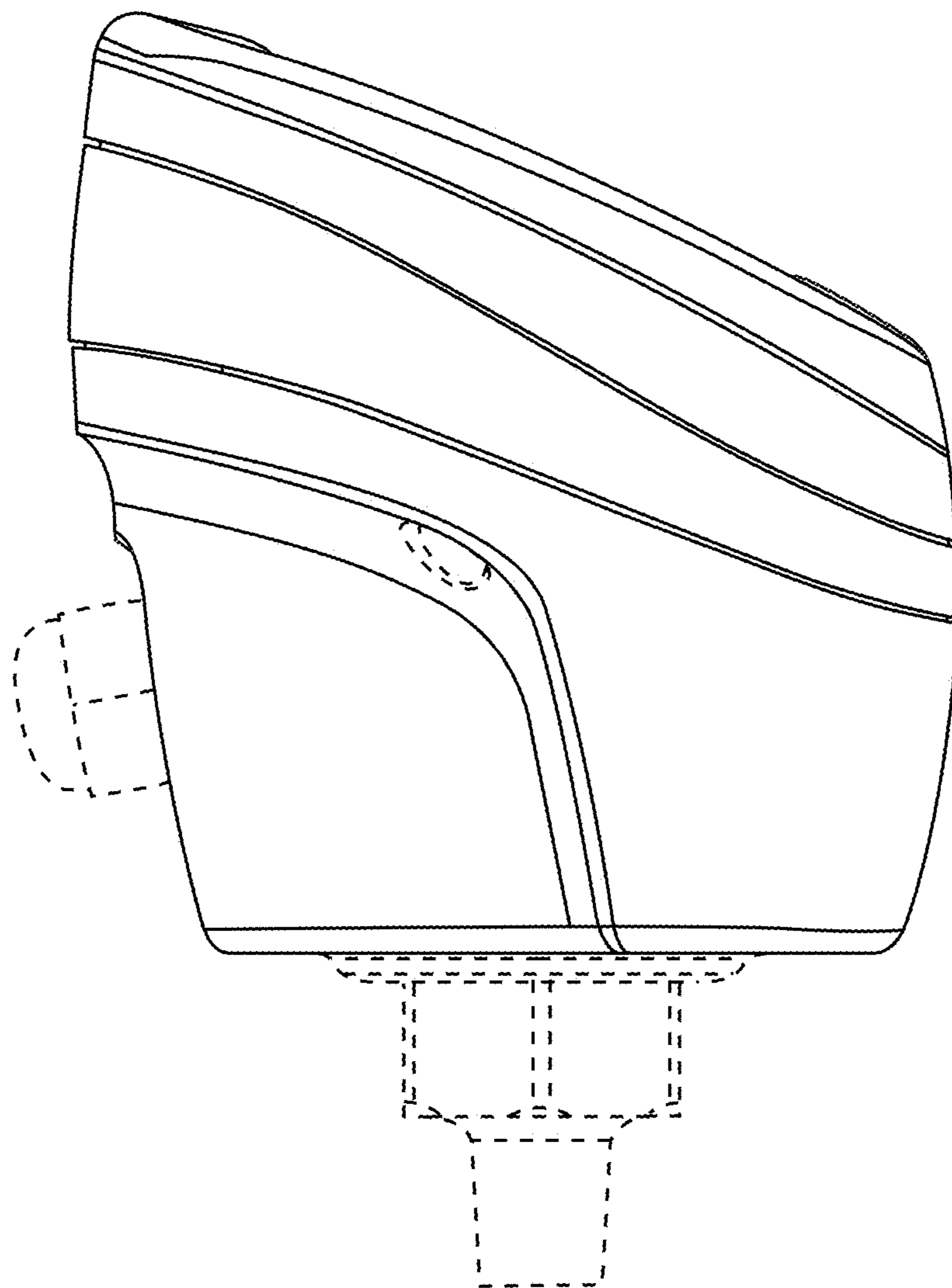


FIG. 5

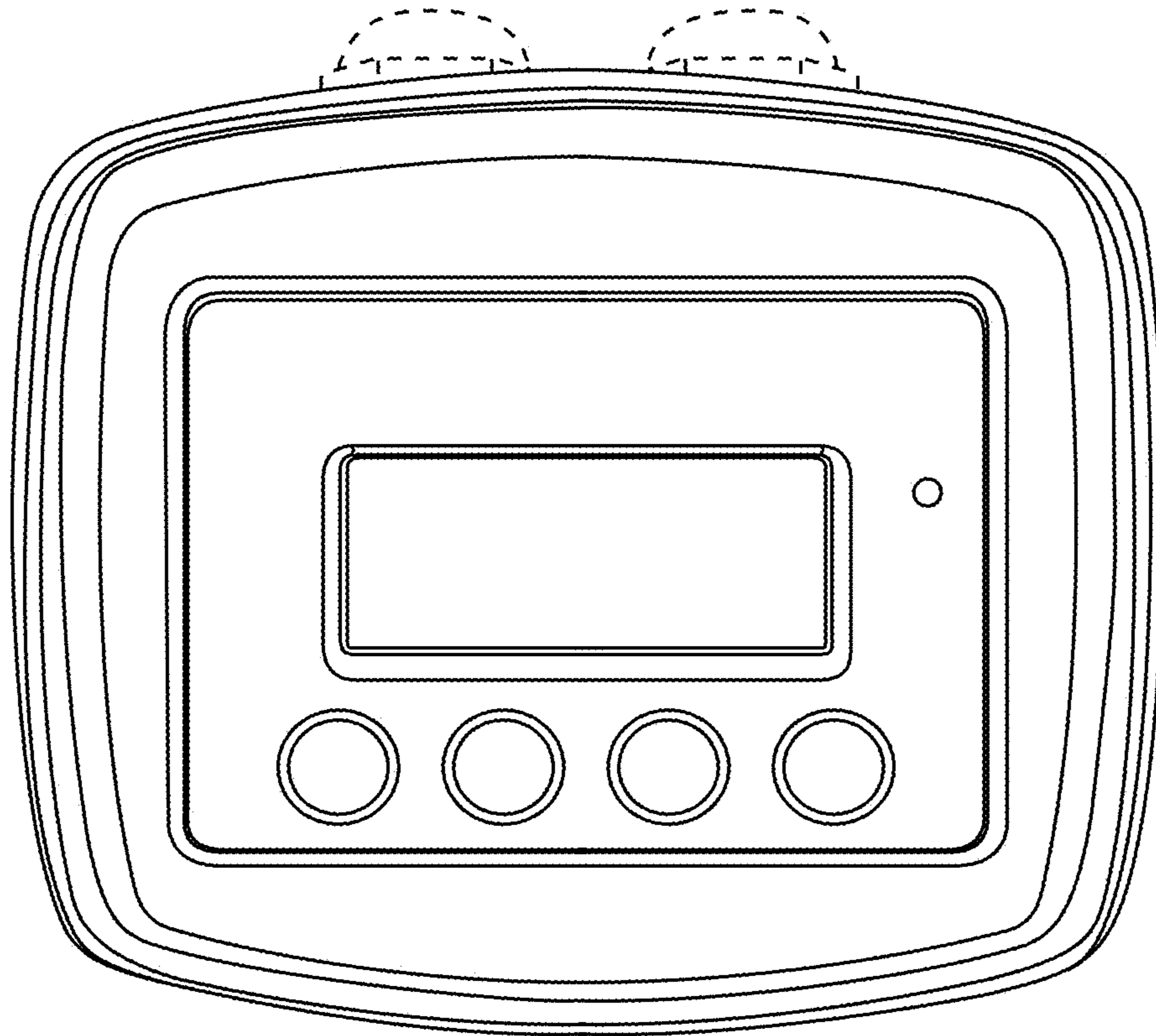


FIG. 6

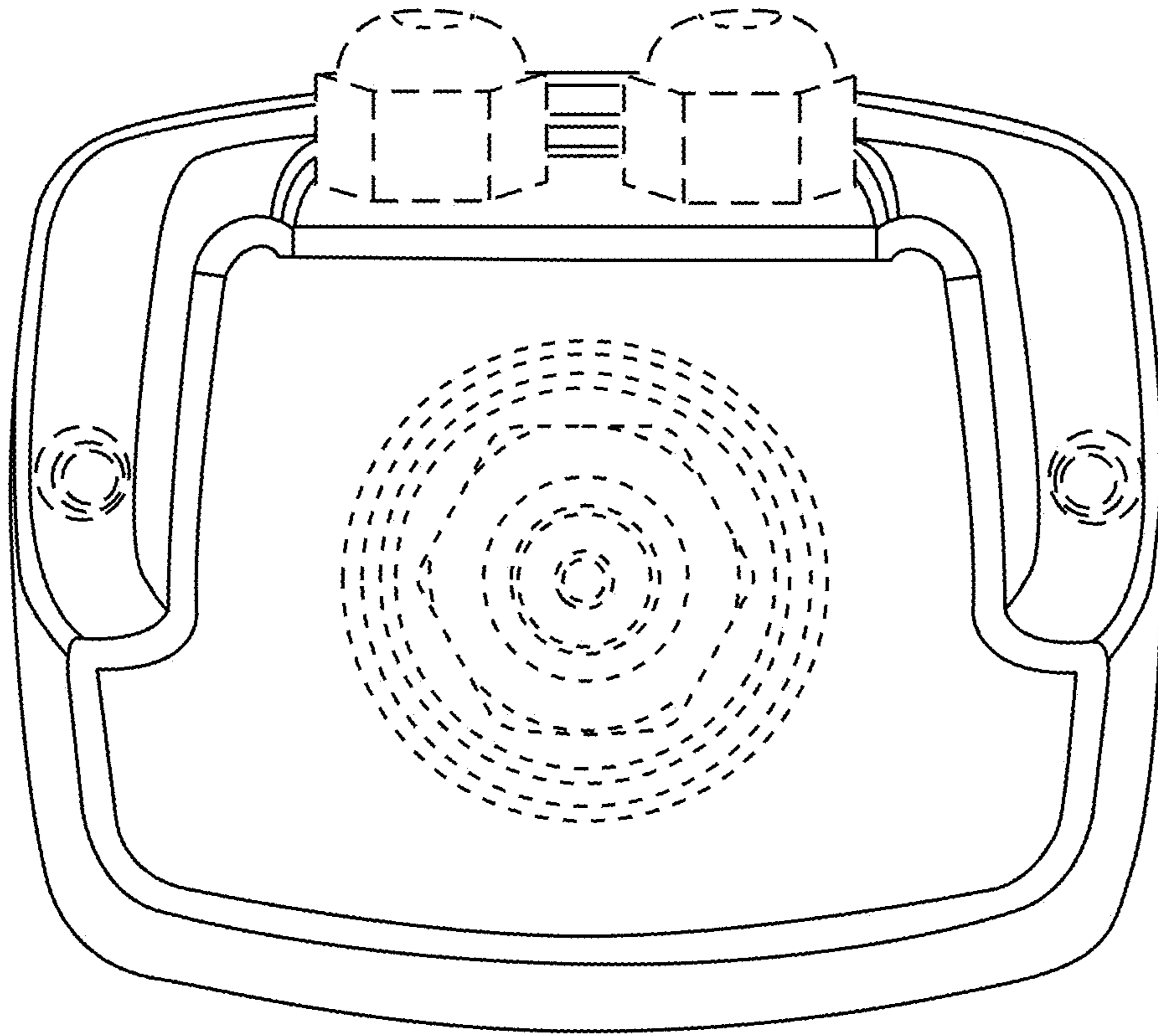


FIG. 7