



US00D878305S

(12) **United States Design Patent**
Nguyen et al.

(10) **Patent No.:** **US D878,305 S**
(45) **Date of Patent:** **** Mar. 17, 2020**

(54) **SEALING SHROUD**

(71) Applicant: **Molex, LLC**, Lisle, IL (US)

(72) Inventors: **Duy Nguyen**, Chicago, IL (US);
Anthony Gerard Quebbemann,
Lisbon, WI (US)

(73) Assignee: **Molex, LLC**, Lisle, IL (US)

(**) Term: **15 Years**

(21) Appl. No.: **29/618,982**

(22) Filed: **Sep. 26, 2017**

(51) **LOC (12) Cl.** **13-03**

(52) **U.S. Cl.**
USPC **D13/156**

(58) **Field of Classification Search**

USPC D13/133, 146, 147, 151, 153, 154, 155,
D13/156; D3/208; D8/349, 382, 394,
D8/396

CPC B65H 75/36; H01R 13/5845; H01R 13/72;
H01R 31/06; H01R 11/00; H04M 1/15;
F16G 11/14; D06F 55/00; H02M
2001/0009; F02C 7/28

See application file for complete search history.

(56) **References Cited**

U.S. PATENT DOCUMENTS

D189,794 S 2/1961 Weaver
D190,582 S 6/1961 Schiuske
3,167,374 A 1/1965 Healy
4,648,808 A * 3/1987 Hauenstein F04D 13/027
415/106

D308,724 S 6/1990 Ennis, III et al.
RE33,611 E 6/1991 Michaels et al.
D332,568 S 1/1993 Ozawa

(Continued)

OTHER PUBLICATIONS

AEM Performance Electronics; "Installation Instructions for PN:
30-8444 Universal Gauge Boot for 52MM (2 1/16") Gauges"; Pub-

lication date unknown but prior to filing date of present application,
pp. 1-3, Advanced Engine Management Inc., Hawthorne, CA.

(Continued)

Primary Examiner — Garth Rademaker

Assistant Examiner — Alison M Ofstun

(74) *Attorney, Agent, or Firm* — Banner & Witcoff, Ltd.

(57) **CLAIM**

The ornamental design for a sealing shroud, as shown and
described.

DESCRIPTION

FIG. 1 is a front perspective view of a sealing shroud
showing our new design;

FIG. 2 is a front view thereof;

FIG. 3 is a rear view thereof;

FIG. 4 is a right side view thereof;

FIG. 5 is a left side view thereof;

FIG. 6 is a top view thereof;

FIG. 7 is a front perspective view of the sealing shroud of
FIGS. 1-6 shown in a second state;

FIG. 8 is a front view thereof;

FIG. 9 is a rear view thereof;

FIG. 10 is a right side view thereof;

FIG. 11 is a left side view thereof;

FIG. 12 is a top view thereof;

FIG. 13 is a front perspective view of the sealing shroud of
FIGS. 1-6 shown in a third state;

FIG. 14 is a front view thereof;

FIG. 15 is a rear view thereof;

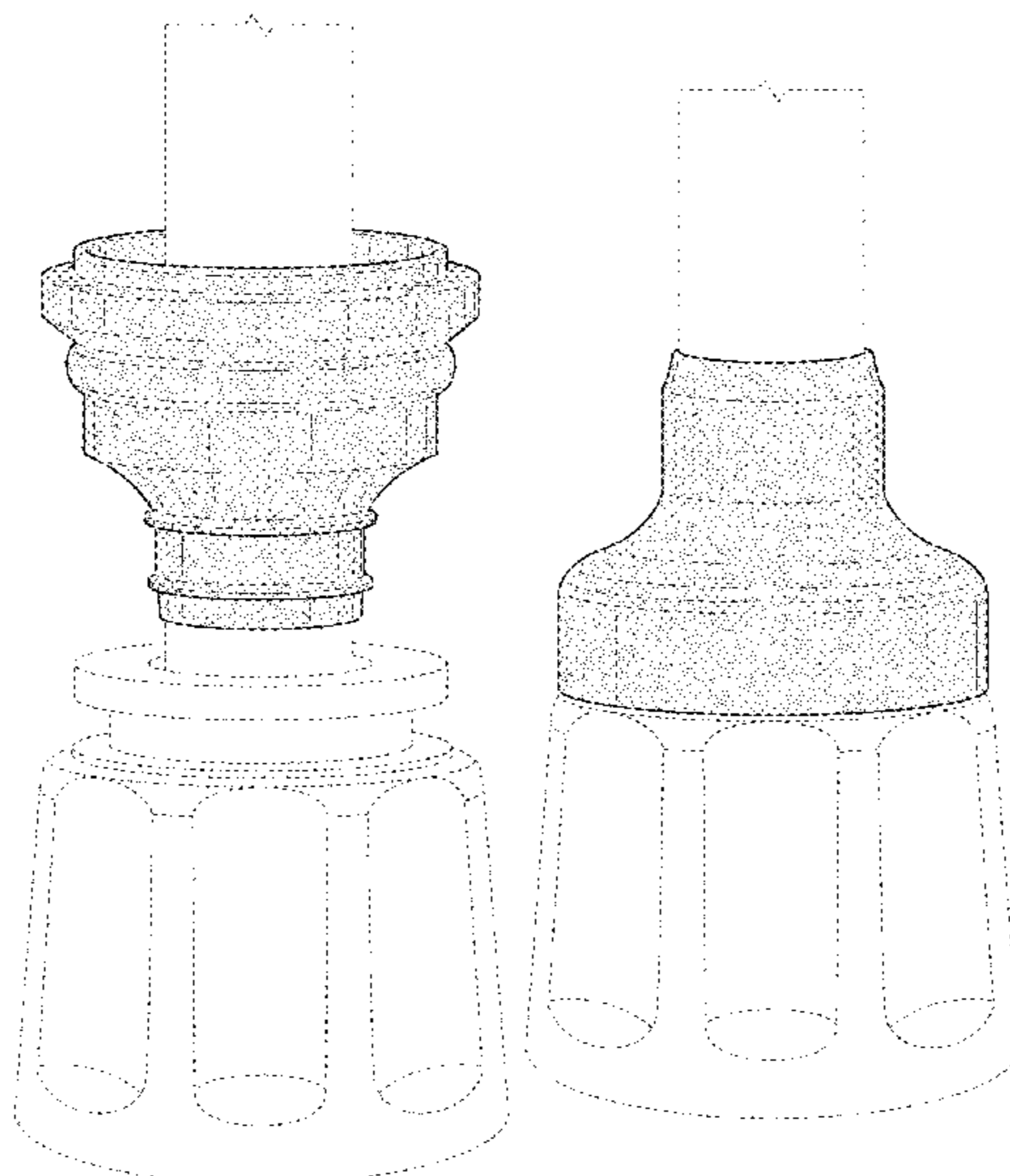
FIG. 16 is a right side view thereof;

FIG. 17 is a left side thereof; and,

FIG. 18 is a top view thereof.

The broken line showing of the remainder of a connector
assembly represents unclaimed environmental subject mat-
ter and forms no part of the claimed design.

1 Claim, 18 Drawing Sheets



(56)

References Cited

U.S. PATENT DOCUMENTS

D347,467 S 5/1994 Medvick
 D367,467 S 2/1996 Nakamura
 D383,378 S 9/1997 Schrader et al.
 5,743,759 A 4/1998 Pudims et al.
 D412,435 S 8/1999 Cultice, Jr.
 6,017,243 A 1/2000 Castaldo
 D457,604 S 5/2002 Chen
 D472,306 S 3/2003 Slothower
 D476,957 S * 7/2003 Chudoba D13/151
 D480,950 S 10/2003 Ellis et al.
 D482,761 S 11/2003 Gotoh et al.
 D484,031 S 12/2003 Ellis et al.
 D484,036 S 12/2003 Koch
 D496,101 S 9/2004 Davison
 D502,644 S 3/2005 Ellis et al.
 D517,904 S 3/2006 Alkalay
 D519,452 S 4/2006 Rodrigues et al.
 D520,351 S 5/2006 Alkalay et al.
 D521,941 S 5/2006 Phung et al.
 D538,727 S 3/2007 Wright et al.
 D555,597 S 11/2007 Phung et al.
 D568,969 S 5/2008 Bucchi
 D569,955 S 5/2008 Chen
 D577,795 S 9/2008 Smith et al.
 D578,482 S 10/2008 Amidon
 D588,991 S 3/2009 Holliday
 D590,701 S 4/2009 Hockman et al.
 D600,210 S 9/2009 Snyder et al.
 D606,439 S * 12/2009 Yan D10/101
 D608,424 S 1/2010 Katsuta et al.
 D623,049 S 9/2010 Zeyfang
 D625,170 S 10/2010 McGrath
 7,857,647 B2 12/2010 Bracci et al.
 D637,697 S 5/2011 Steiner
 D639,915 S 6/2011 Barton
 D648,834 S 11/2011 Gilbert
 D659,100 S * 5/2012 Deiss D13/151
 D659,103 S 5/2012 Natoli
 D662,059 S 6/2012 Amidon et al.
 D665,497 S 8/2012 Marshall et al.
 D669,980 S 10/2012 Lev et al.
 D674,088 S 1/2013 Lev et al.
 D681,434 S 5/2013 Wang
 8,479,383 B2 7/2013 Van Swearingen et al.
 D688,796 S 8/2013 Niunoya et al.
 D688,937 S 9/2013 Brewer
 D691,879 S 10/2013 Bernard
 D709,834 S 7/2014 Liu
 D711,328 S 8/2014 Purdy et al.
 D713,705 S 9/2014 Mina et al.
 D719,244 S 12/2014 Yang
 D736,357 S 8/2015 Melo et al.
 D736,358 S 8/2015 Melo et al.
 9,231,397 B2 * 1/2016 Chiu F16J 15/022
 D751,192 S 3/2016 She et al.
 D754,607 S 4/2016 Hofmann
 D756,929 S * 5/2016 Harck D13/146
 D760,363 S 6/2016 Yang
 D760,384 S 6/2016 Niunoya et al.
 D777,317 S 1/2017 Soual et al.
 D779,640 S 2/2017 Vaz et al.
 D781,787 S 3/2017 Spiel
 D787,054 S 5/2017 Rini et al.
 D790,044 S 6/2017 Li

D799,938 S 10/2017 Lowitz
 D800,538 S * 10/2017 Lowitz D8/354
 D804,426 S * 12/2017 Watkins D13/151
 D806,241 S 12/2017 Swinney et al.
 D807,794 S 1/2018 Guse et al.
 9,876,341 B2 * 1/2018 Chiu H02G 15/007
 D810,029 S 2/2018 Robert et al.
 D815,256 S 4/2018 Norman et al.
 D836,562 S * 12/2018 Karlsson D13/155
 2002/0133124 A1 9/2002 Leinsing et al.
 2003/0032321 A1 * 2/2003 Wertz H01R 13/5219
 439/282
 2010/0055978 A1 3/2010 Montena
 2011/0226896 A1 9/2011 Bessho et al.
 2012/0129389 A1 5/2012 Van Swearingen
 2012/0323221 A1 12/2012 Gallo et al.
 2013/0034404 A1 2/2013 Pecho
 2013/0078856 A1 3/2013 Blew
 2013/0143438 A1 6/2013 Wilson et al.
 2014/0012204 A1 1/2014 Bosshardt et al.
 2014/0196434 A1 * 7/2014 Pisacreta F02C 7/28
 60/39.091
 2015/0147919 A1 5/2015 Seelig et al.
 2016/0245102 A1 * 8/2016 Freeman F01D 11/005

OTHER PUBLICATIONS

Ericson Manufacturing; “Plug, Nema 5-15 Straight Blade 125V 15A Perma-Kleen Watertight 4X/6P SM 14W47, 1510-PW6P-AM”; Publication date unknown but prior to filing date of present application; Date Accessed: Feb. 13, 2018; URL: < <https://eselect.ericson.com/ecatalog/wiring-devices/en/1510-PW6P-AM>>.
 Ericson Manufacturing; “Connector, Perma-Tite Nema 5-15R 2P/3W Straight Blade 15A 125V 1ph, Safety Yellow, 1610-CW6P”; Publication date unknown but prior to filing date of present application; Date Accessed: Feb. 13, 2018; URL: < <https://eselect.ericson.com/ecatalog/wiring-devices/en/1610-CW6P>>.
 AMP Incorporated; “Instruction Sheet IS 7643”; AMP Circular Rubber Sealed Connectors (CRSC); pp. 1-2; AMP Incorporated, Harrisburg, PA.
 Hubbell; “Watertight Devices, 15A, 125V, 2 Pole, 3 Wire, Straight Blade Plug”; Publication date unknown but prior to filing date of present application; Hubbell Wiring Device-Kellems; Shelton, CT.
 Hubbell; “Watertight Devices, 15A, 125V, 2 Pole, 3 Wire, Straight Blade Connector”; Publication date unknown but prior to filing date of present application; Hubbell Wiring Device-Kellems; Shelton, CT.
 Leviton; “15W47, 15 Amp, 125 Volt, Nema 5-15R, 2P, 3W, Connector, Straight Blade, Industrial Grade, Grounding, Wetguard—Yellow”; Publication date unknown but prior to filing date of present application; pp. 1-2; Date Access: Feb. 16, 2018; URL: < <http://www.leviton.com/en/products/15w47>>.
 Leviton; “14W47, 15 Amp, 125 Volt, Nema 5-15R, 2P, 3W, Plug, Straight Blade, Industrial Grade, Grounding, Wetguard—Yellow”; Publication date unknown but prior to filing date of present application; pp. 1-3; Date Access: Feb. 16, 2018; URL: < <http://www.leviton.com/en/products/14w47>>.
 U.S. Appl. No. 29/618,987, filed Sep. 26, 2017.
 U.S. Appl. No. 29/618,993, filed Sep. 26, 2017.
 U.S. Appl. No. 29/618,996, filed Sep. 26, 2017.
 U.S. Appl. No. 29/619,000, filed Sep. 26, 2017.

* cited by examiner

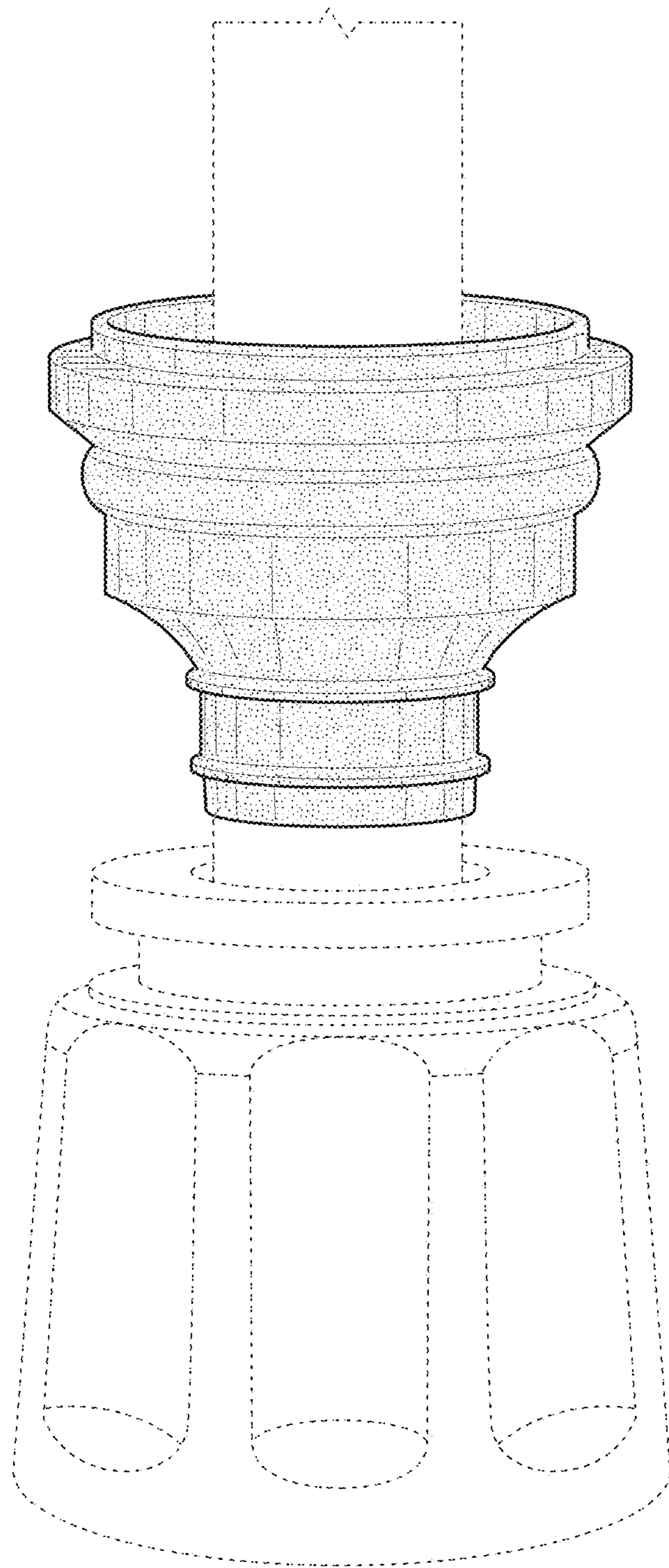


FIG. 1

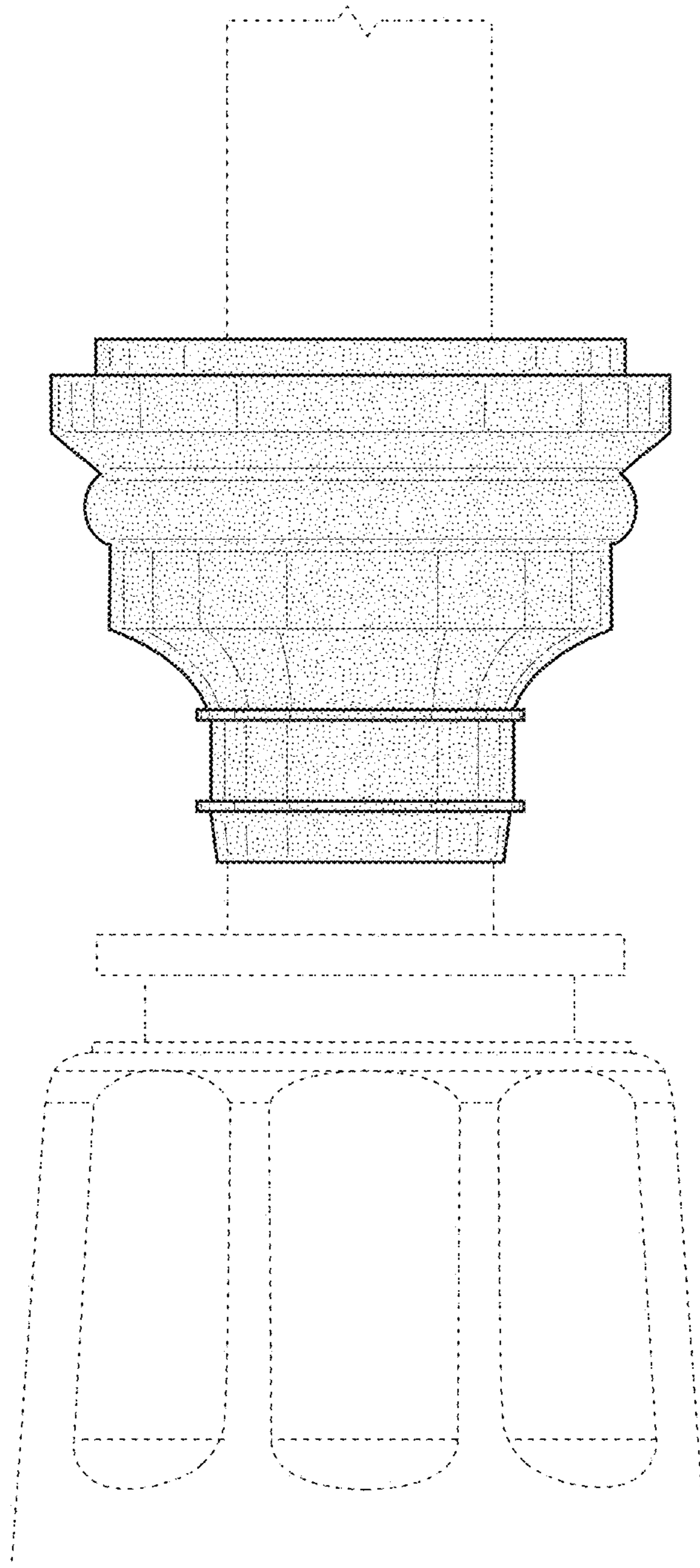


FIG. 2

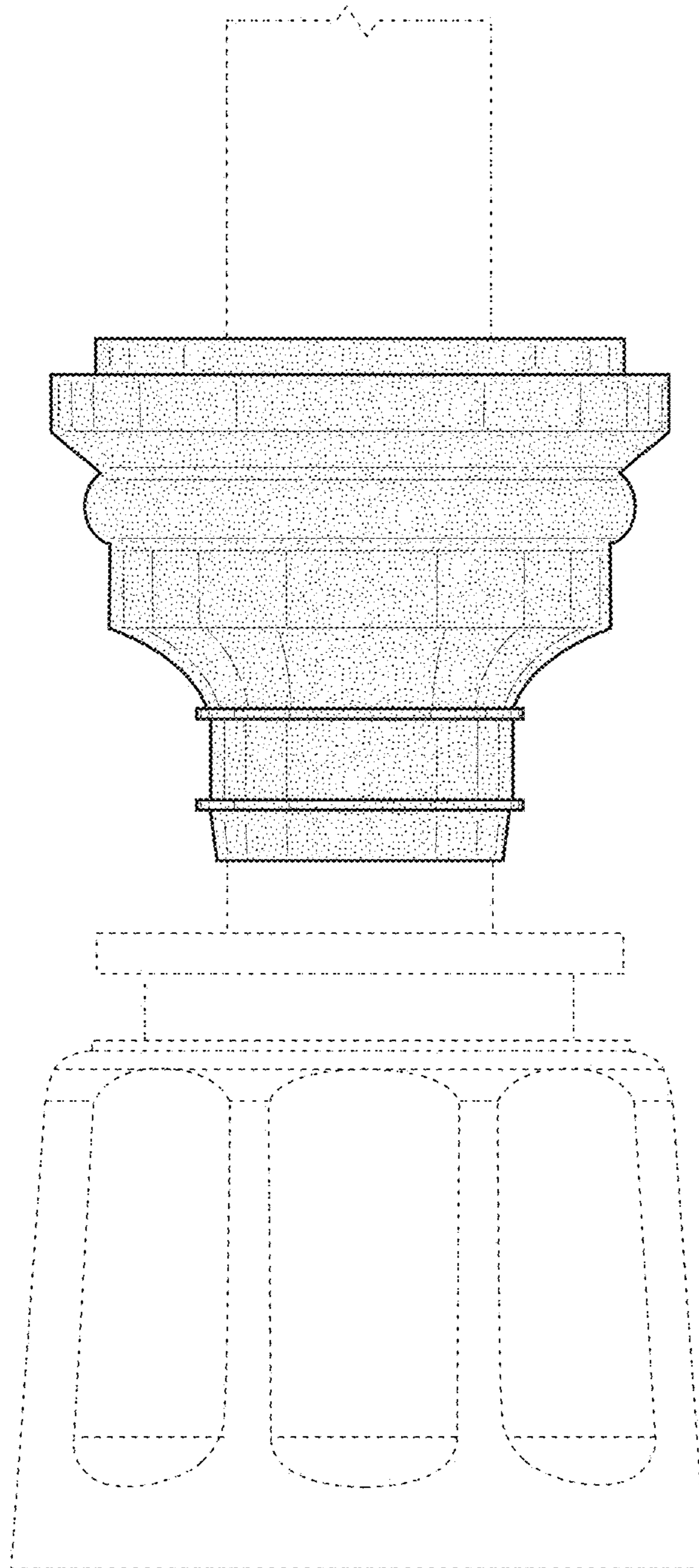


FIG. 3

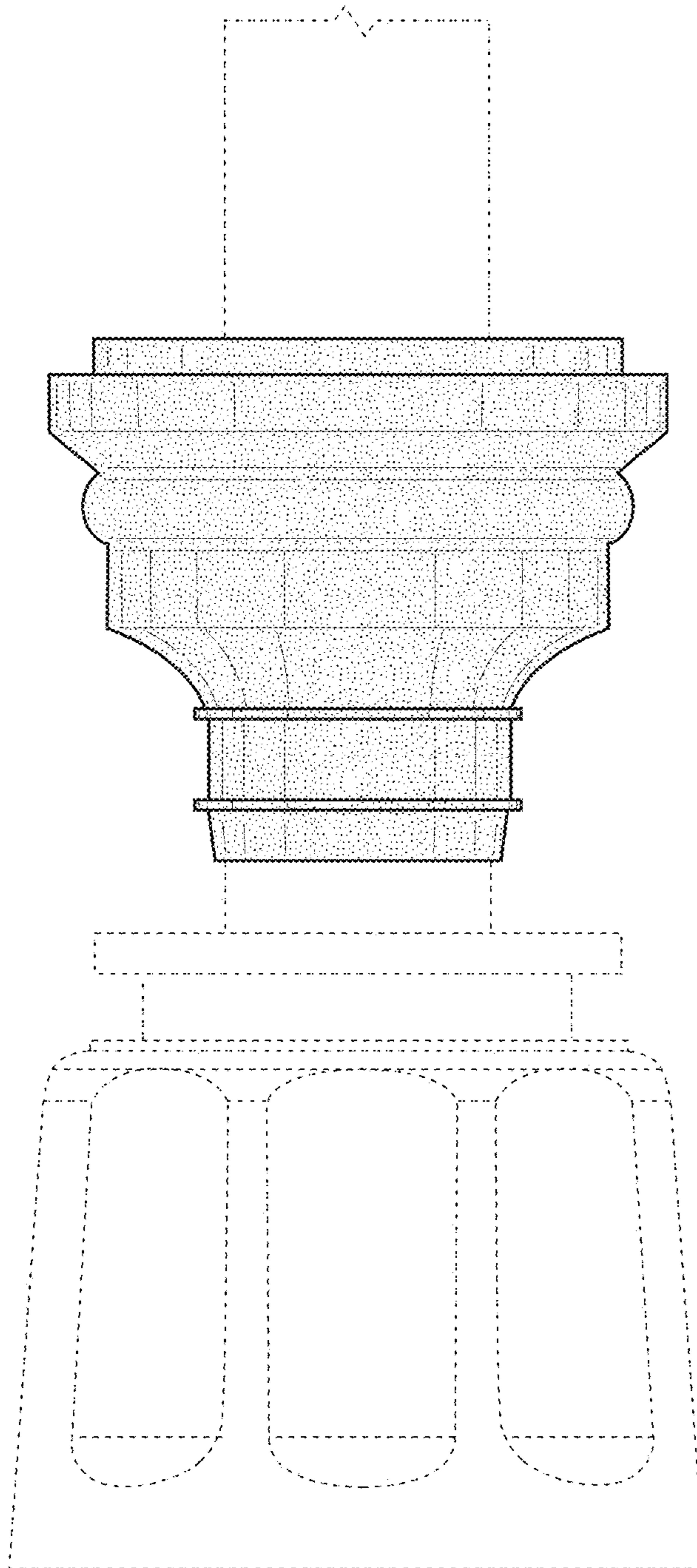


FIG. 4

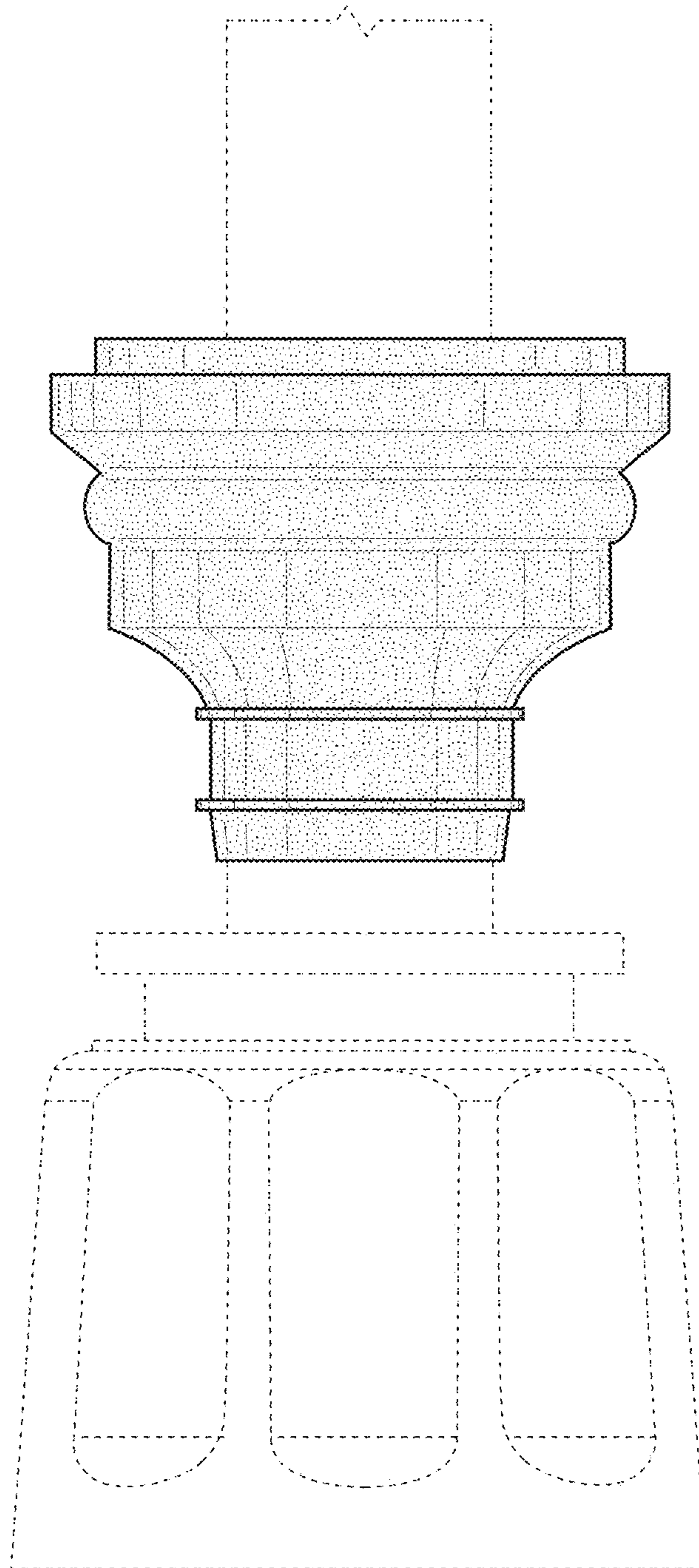


FIG. 5

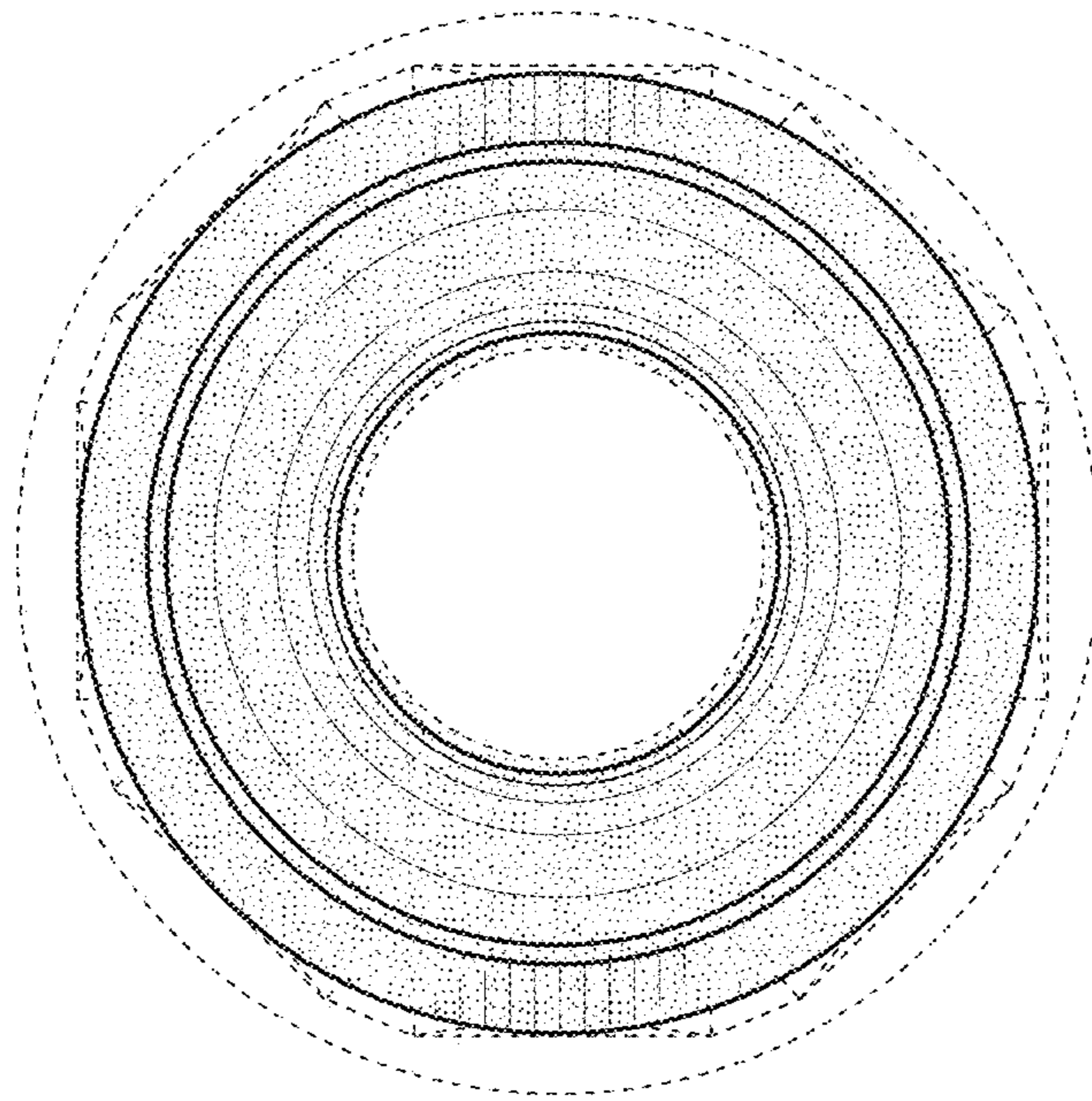


FIG. 6

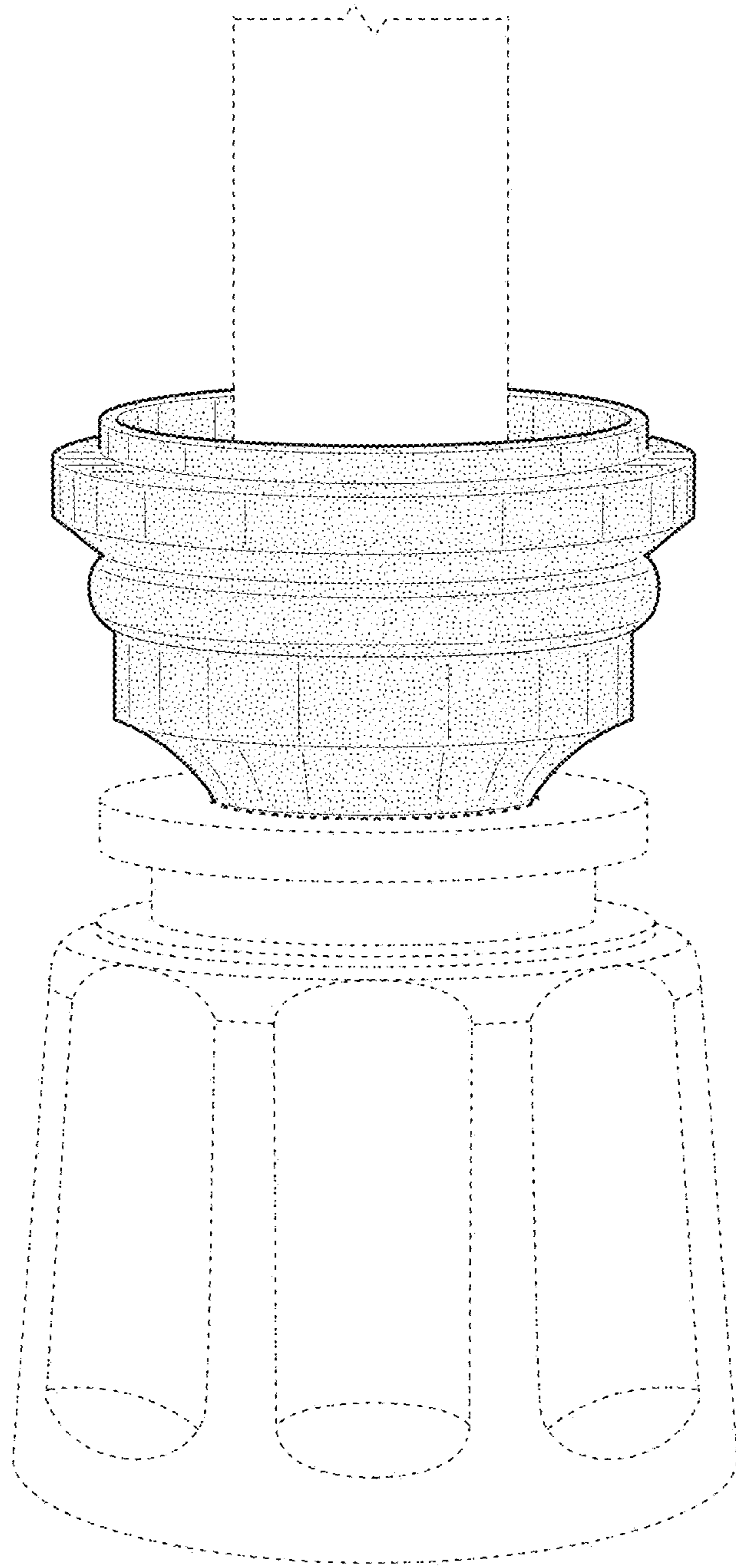


FIG. 7

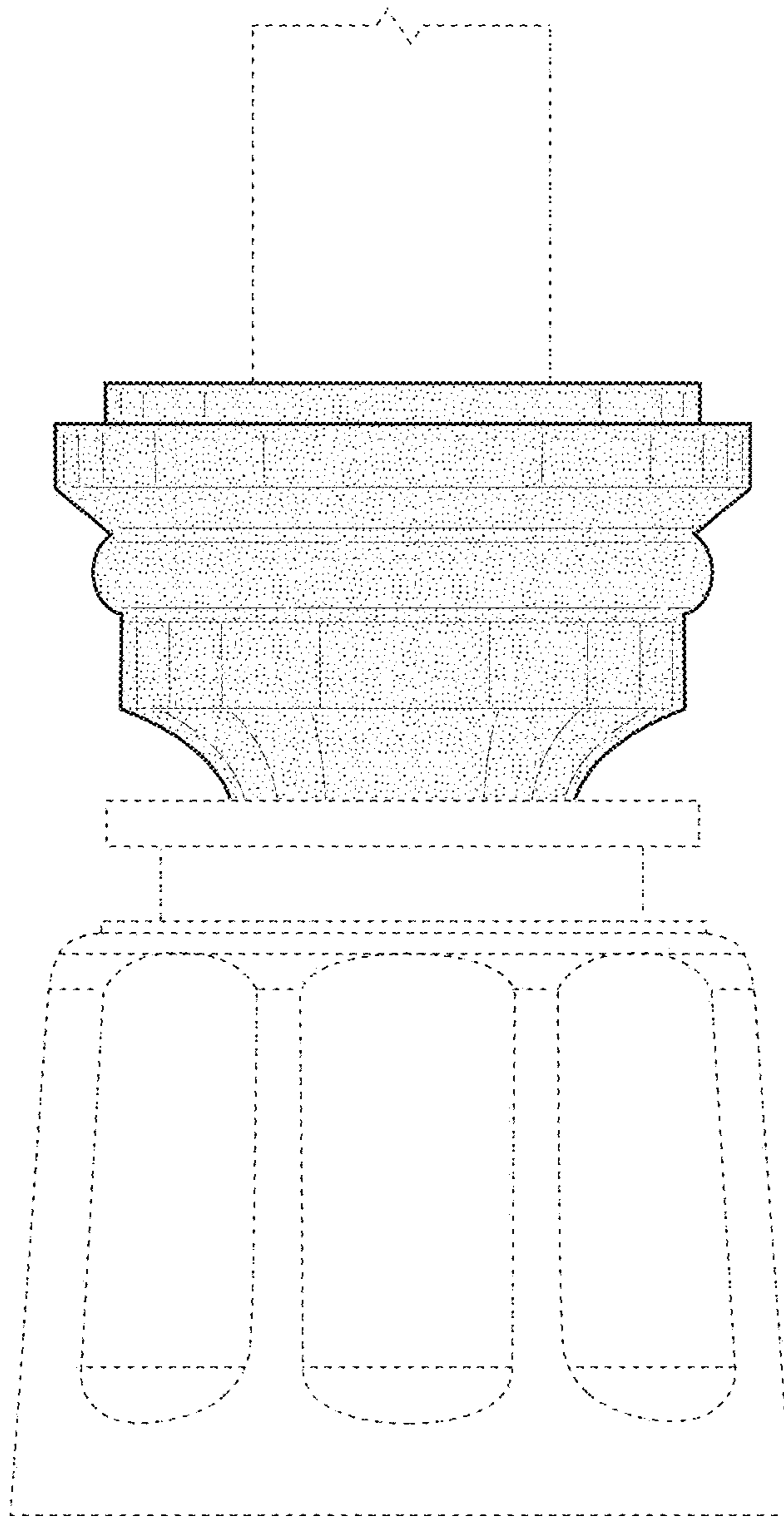


FIG. 8

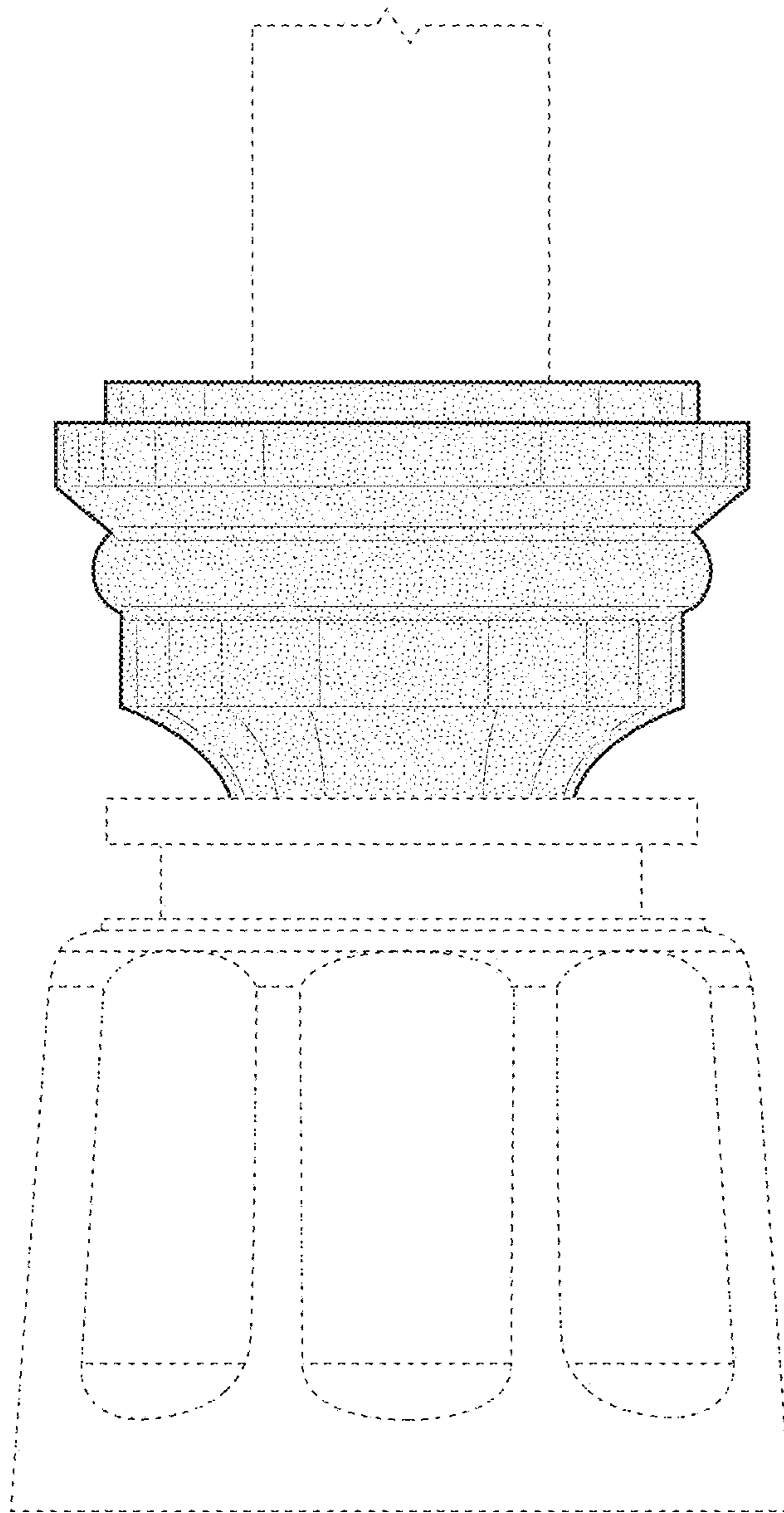


FIG. 9

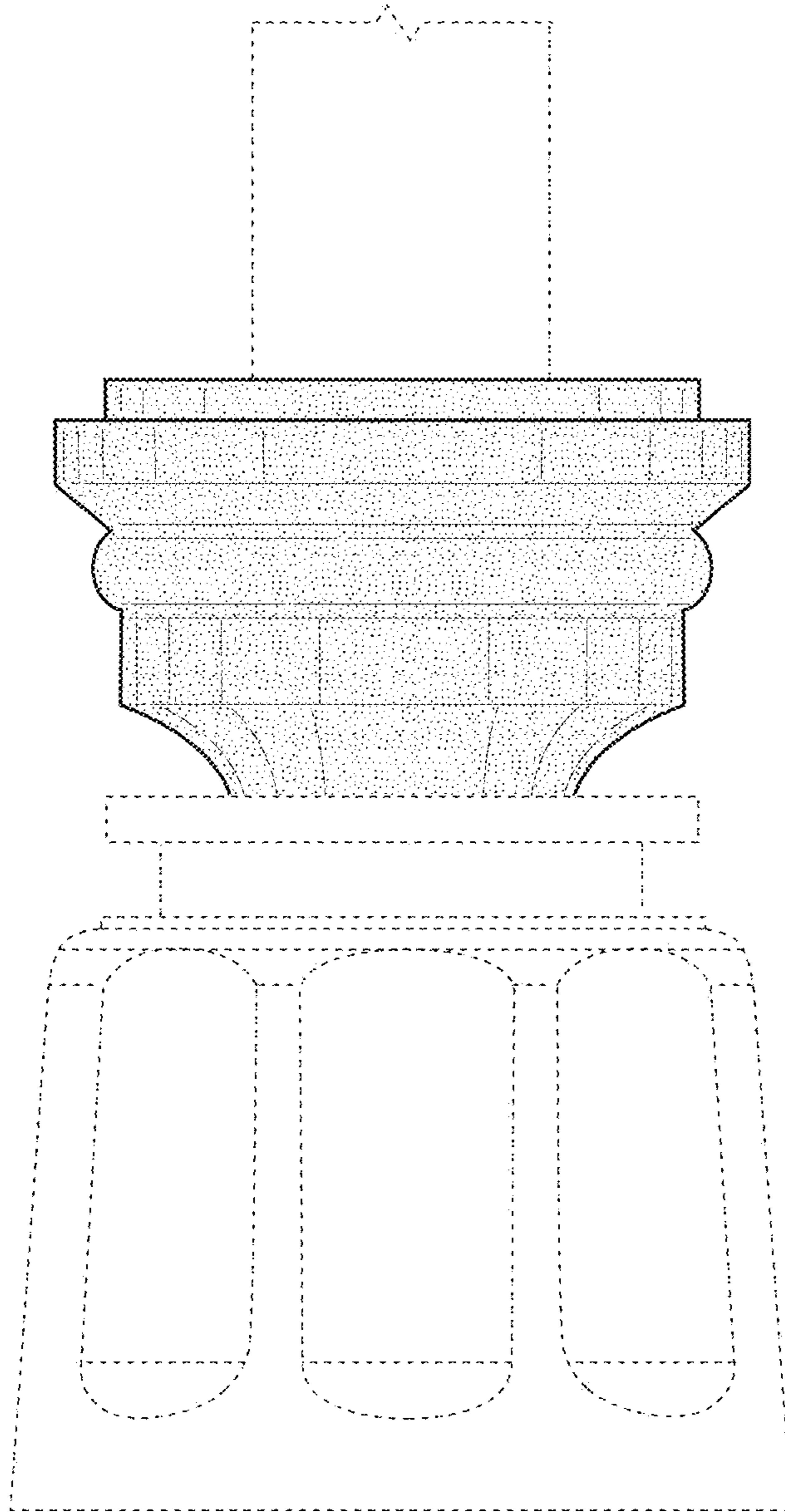


FIG. 10

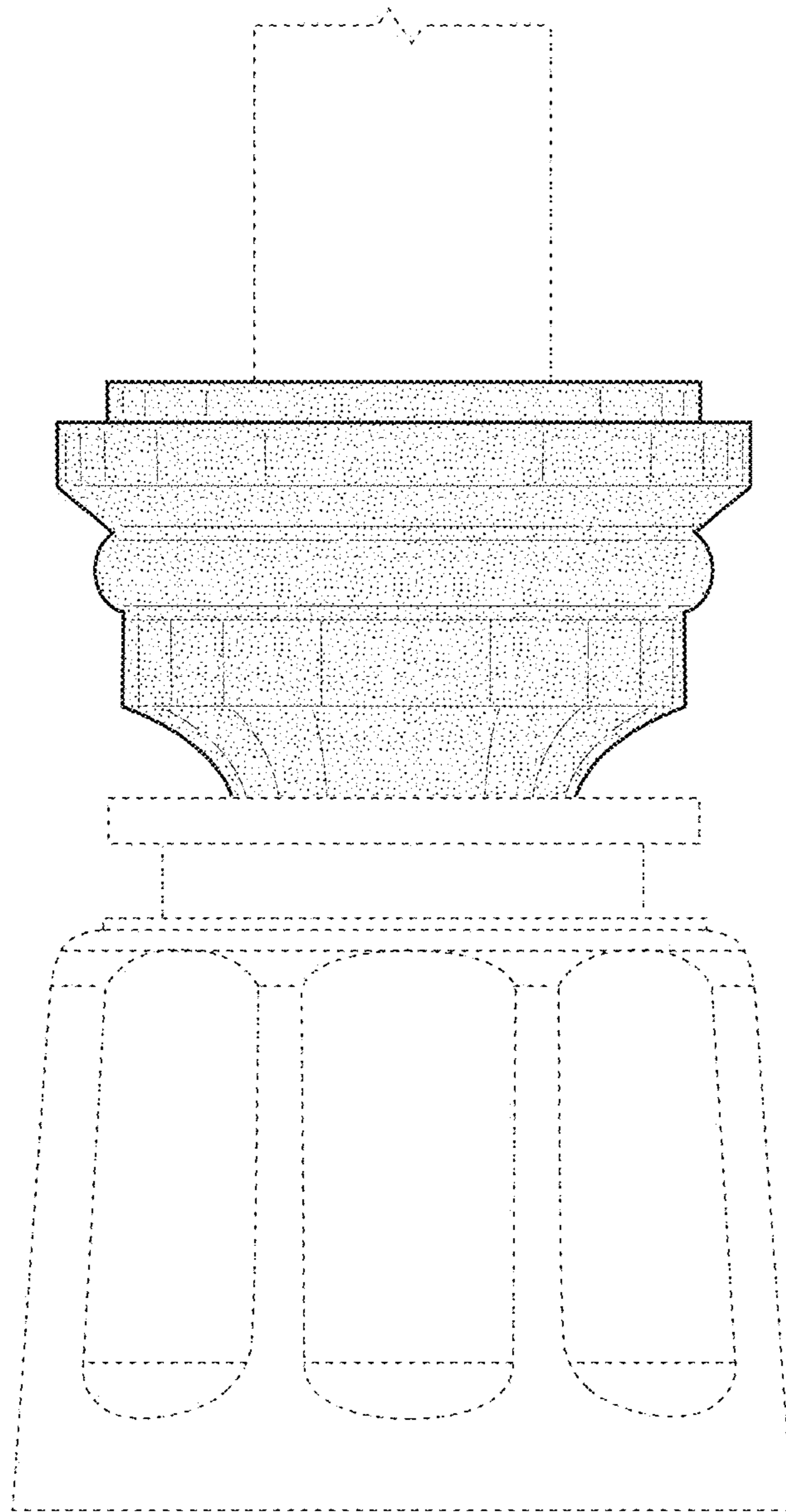


FIG. 11

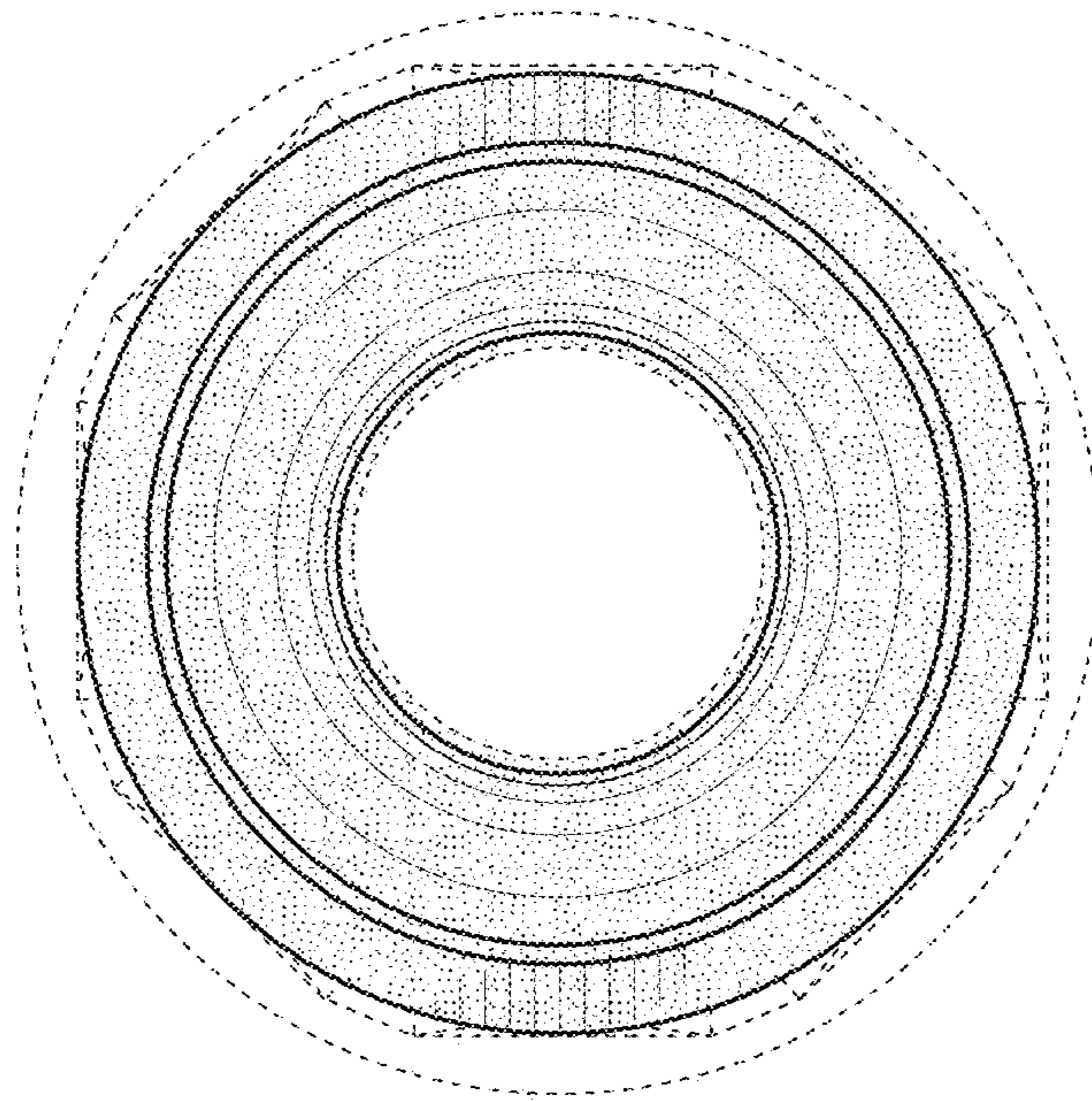


FIG. 12

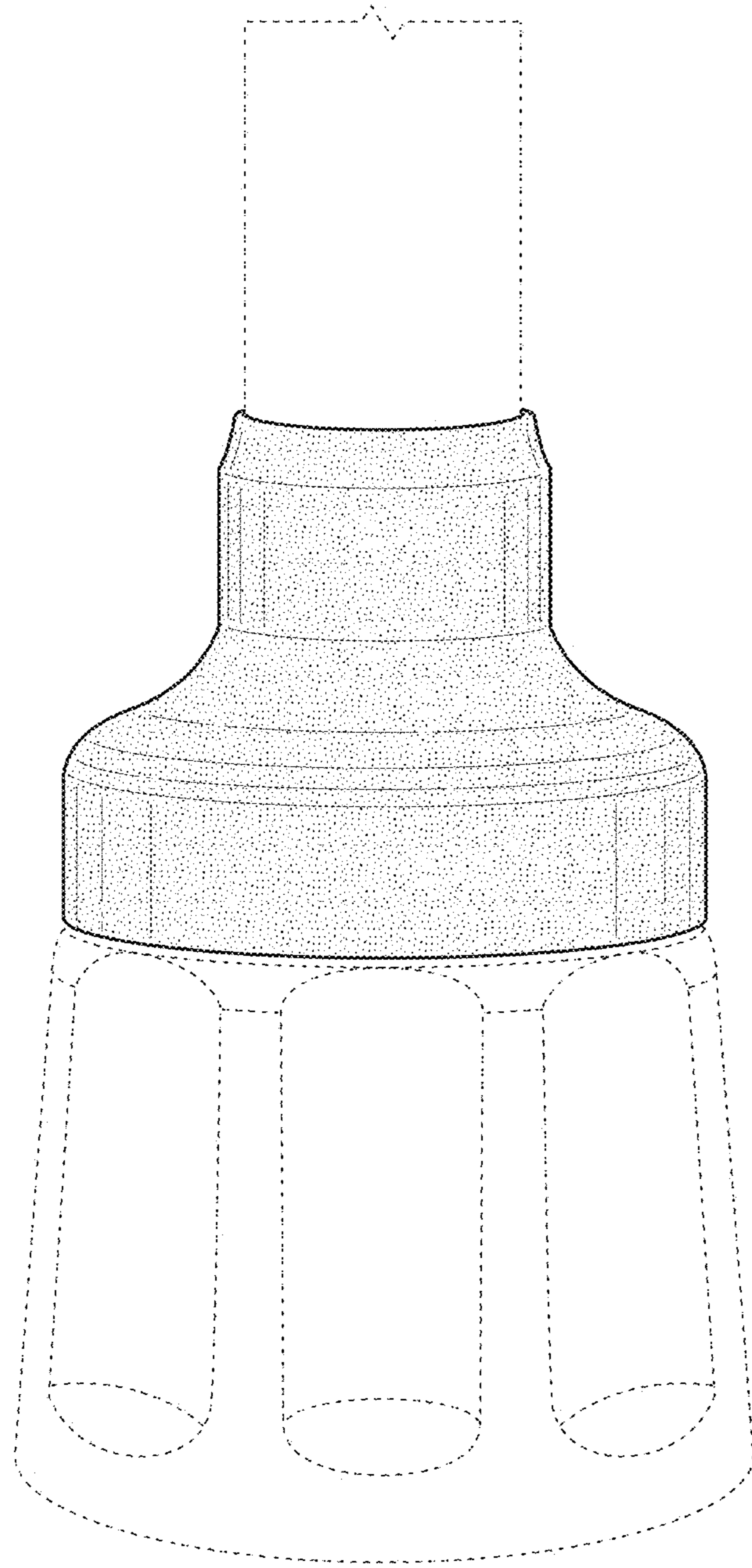


FIG. 13

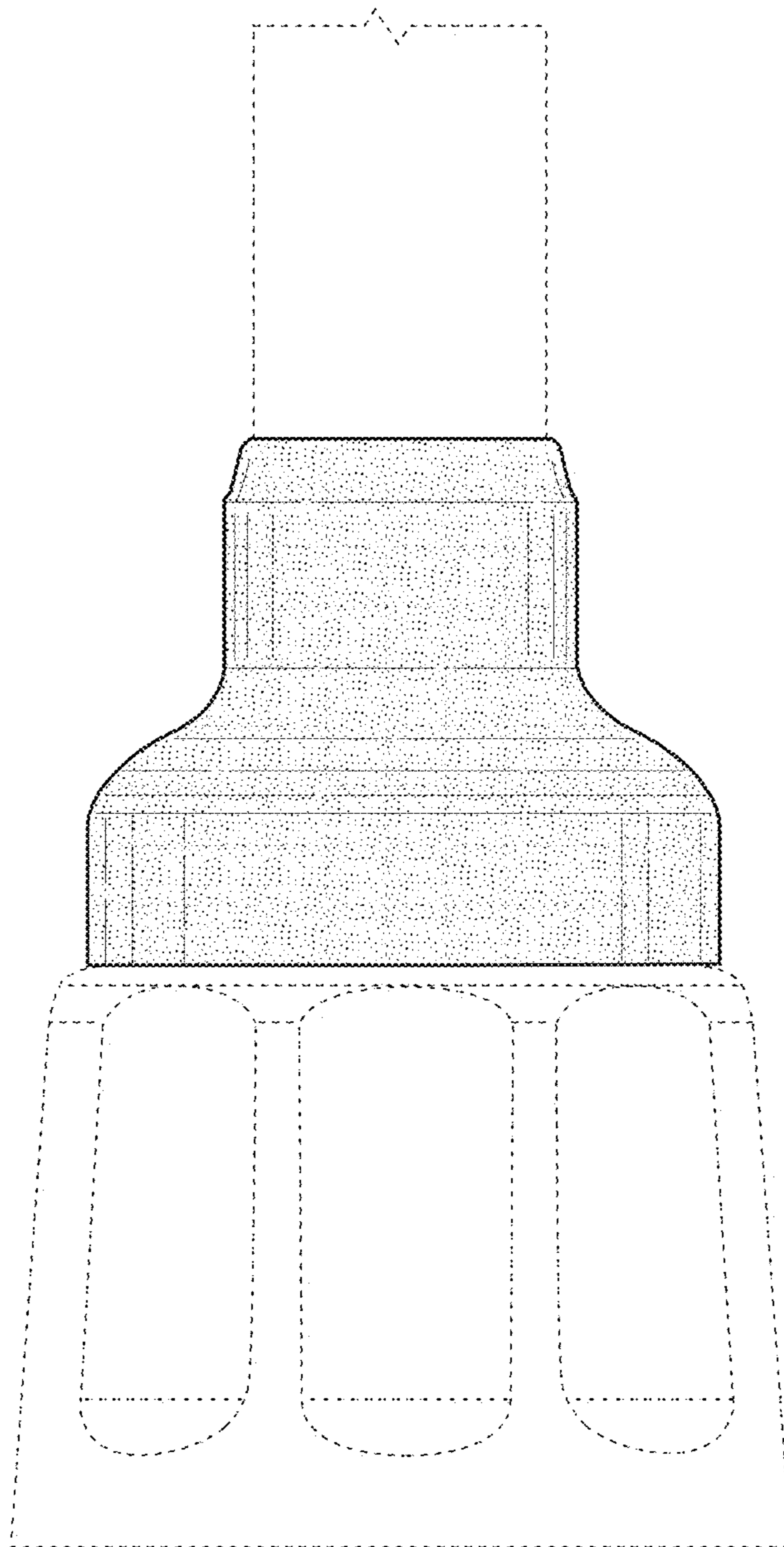


FIG. 14

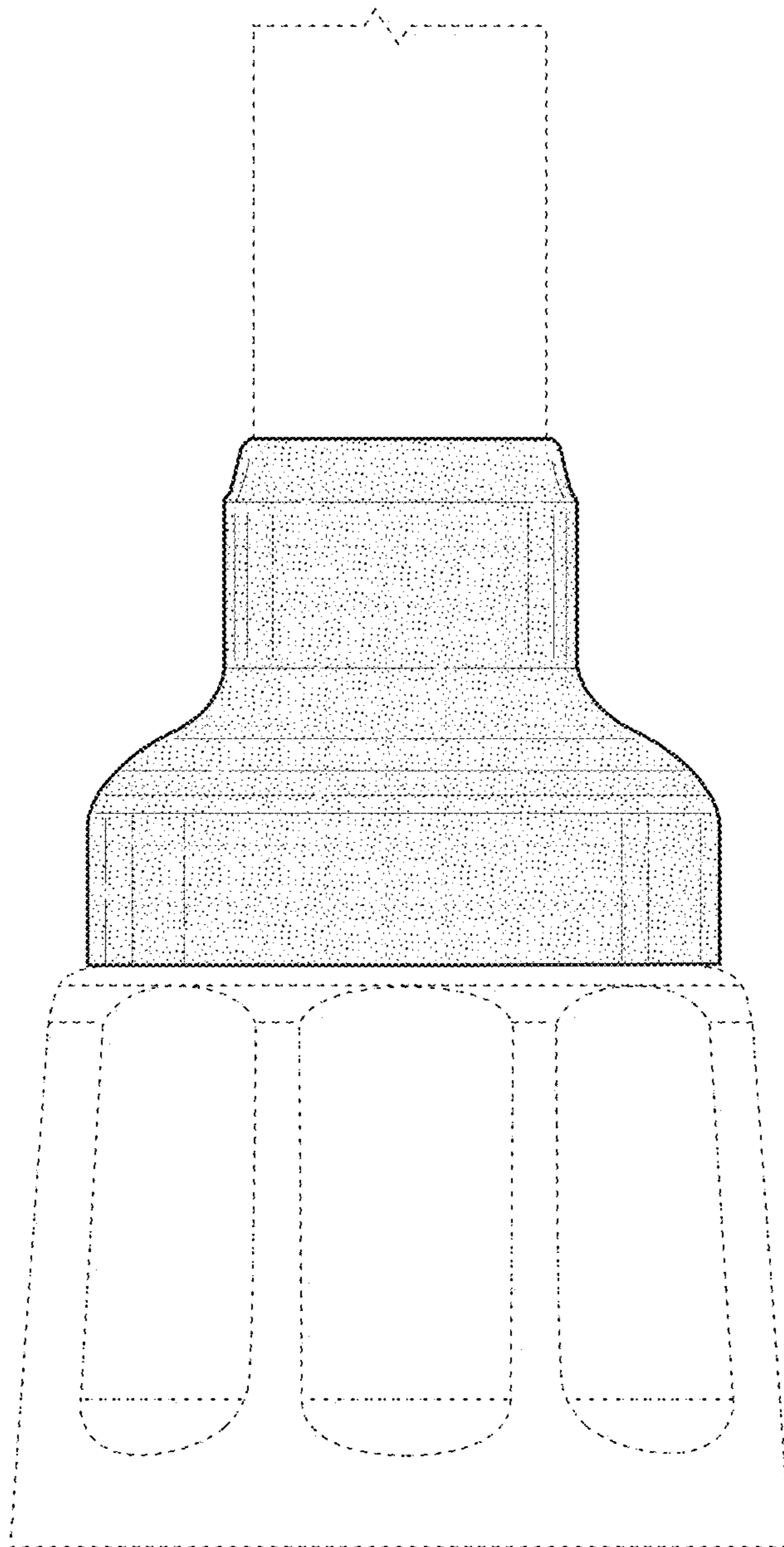


FIG. 15

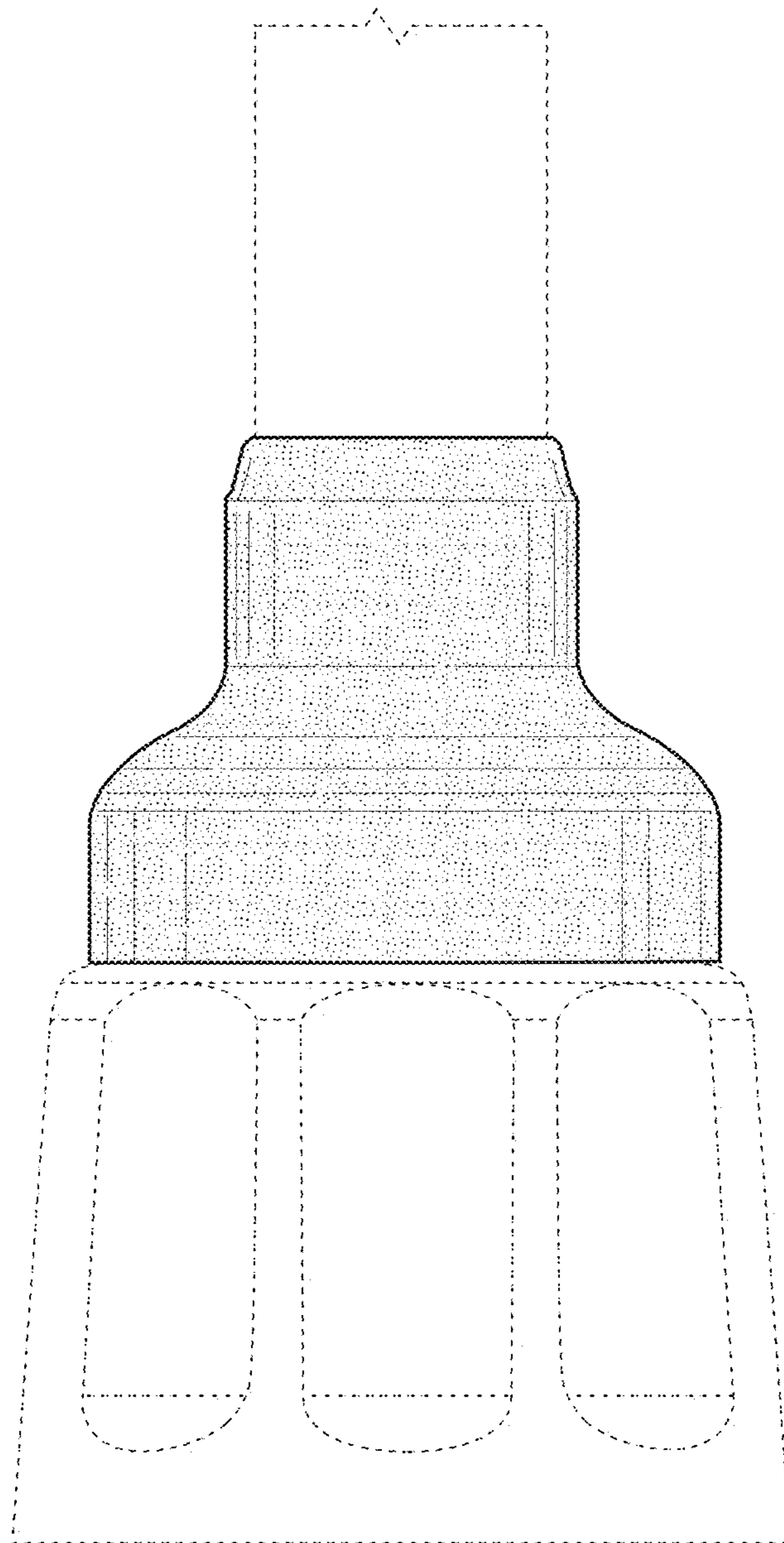


FIG. 16

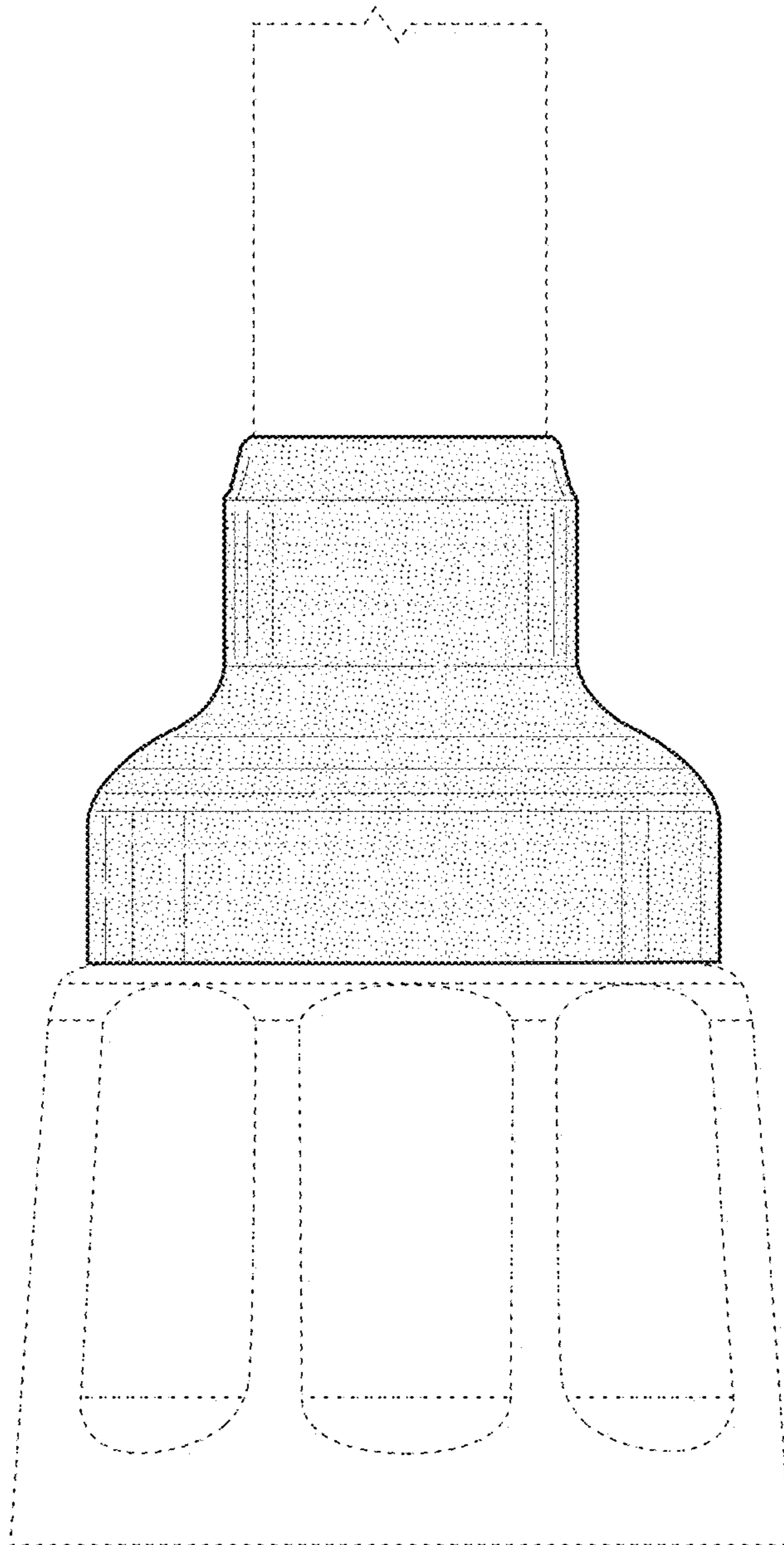


FIG. 17

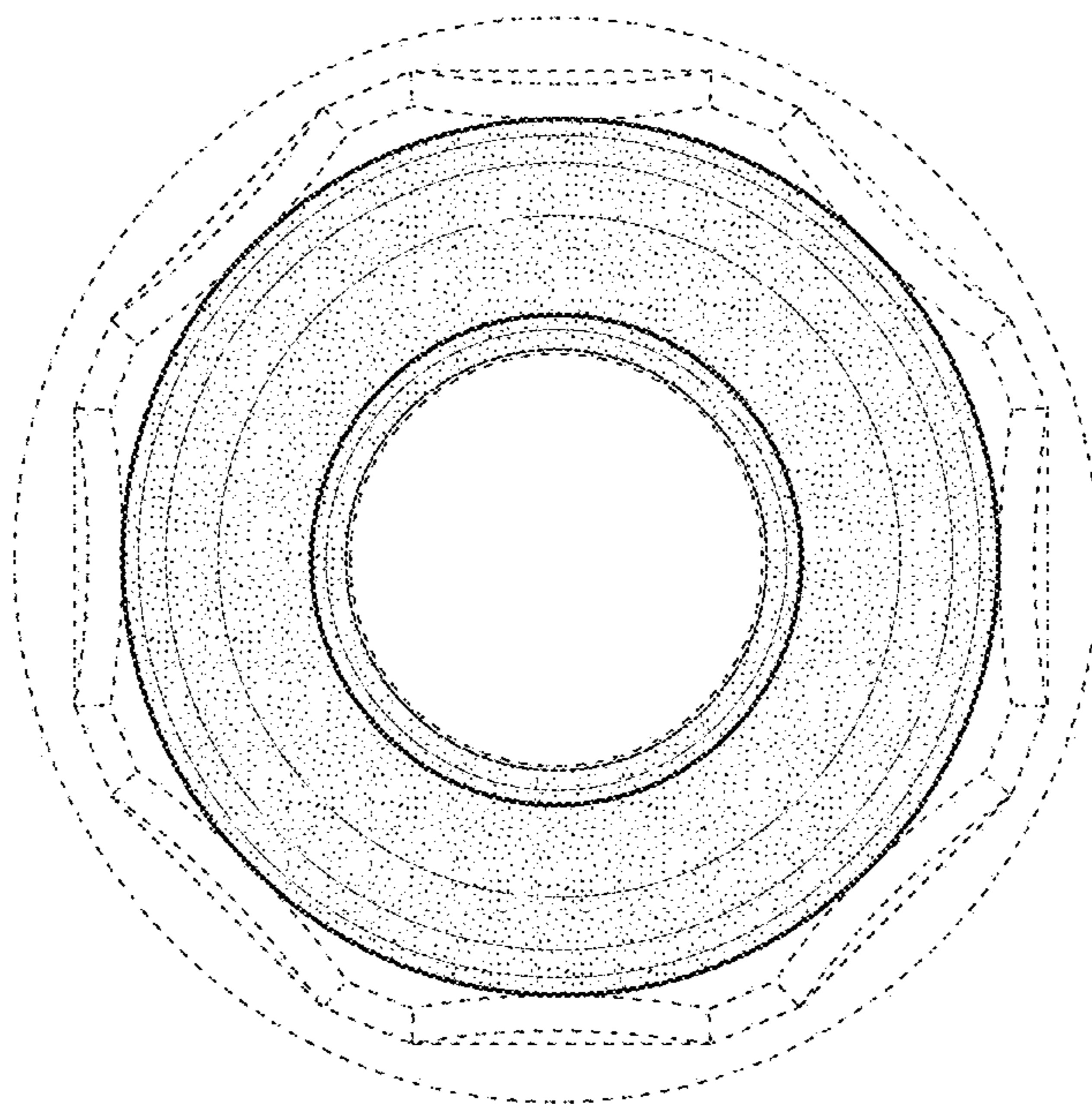


FIG. 18