



US00D878303S

(12) **United States Design Patent**  
**Penn et al.**

(10) **Patent No.:** **US D878,303 S**  
(45) **Date of Patent:** **\*\* Mar. 17, 2020**

(54) **CONNECTOR ASSEMBLY HOUSING**

(71) Applicant: **Delphi Technologies, LLC**, Troy, MI (US)

(72) Inventors: **Matthew L. Penn**, Cortland, OH (US);  
**Jose Alberto Davila Aleman**, Saltillo (MX)

(73) Assignee: **Delphi Technologies, LLC**, Troy, MI (US)

(\*\*) Term: **15 Years**

(21) Appl. No.: **29/650,542**

(22) Filed: **Jun. 7, 2018**

(51) **LOC (12) Cl.** ..... **13-03**

(52) **U.S. Cl.**  
USPC ..... **D13/154**

(58) **Field of Classification Search**  
USPC ..... D13/154, 155, 133, 153  
CPC ..... H01R 24/38; H01R 13/506; H01R 13/631  
See application file for complete search history.

(56) **References Cited**

**U.S. PATENT DOCUMENTS**

D319,626 S *	9/1991	Murakami	.....	D13/156
D324,025 S *	2/1992	Sueyoshi	.....	D13/133
D703,142 S *	4/2014	Hoshino	.....	D13/147
9,929,509 B1 *	3/2018	Penn	.....	H01R 13/641
D831,579 S *	10/2018	Penn	.....	D13/154

D837,158 S *	1/2019	Thoni	.....	D13/133
D843,950 S *	3/2019	Lim	.....	D13/154
2018/0026408 A1 *	1/2018	Ensley	.....	H01R 4/38 439/578
2018/0277992 A1 *	9/2018	Nishio	.....	H01R 13/5025

**FOREIGN PATENT DOCUMENTS**

JP	D1600628	*	3/2018
KR	300972502.0000	*	9/2018
KR	300973636.0000	*	9/2018

\* cited by examiner

*Primary Examiner* — Bridget L Eland

(74) *Attorney, Agent, or Firm* — Robert J. Myers

(57) **CLAIM**

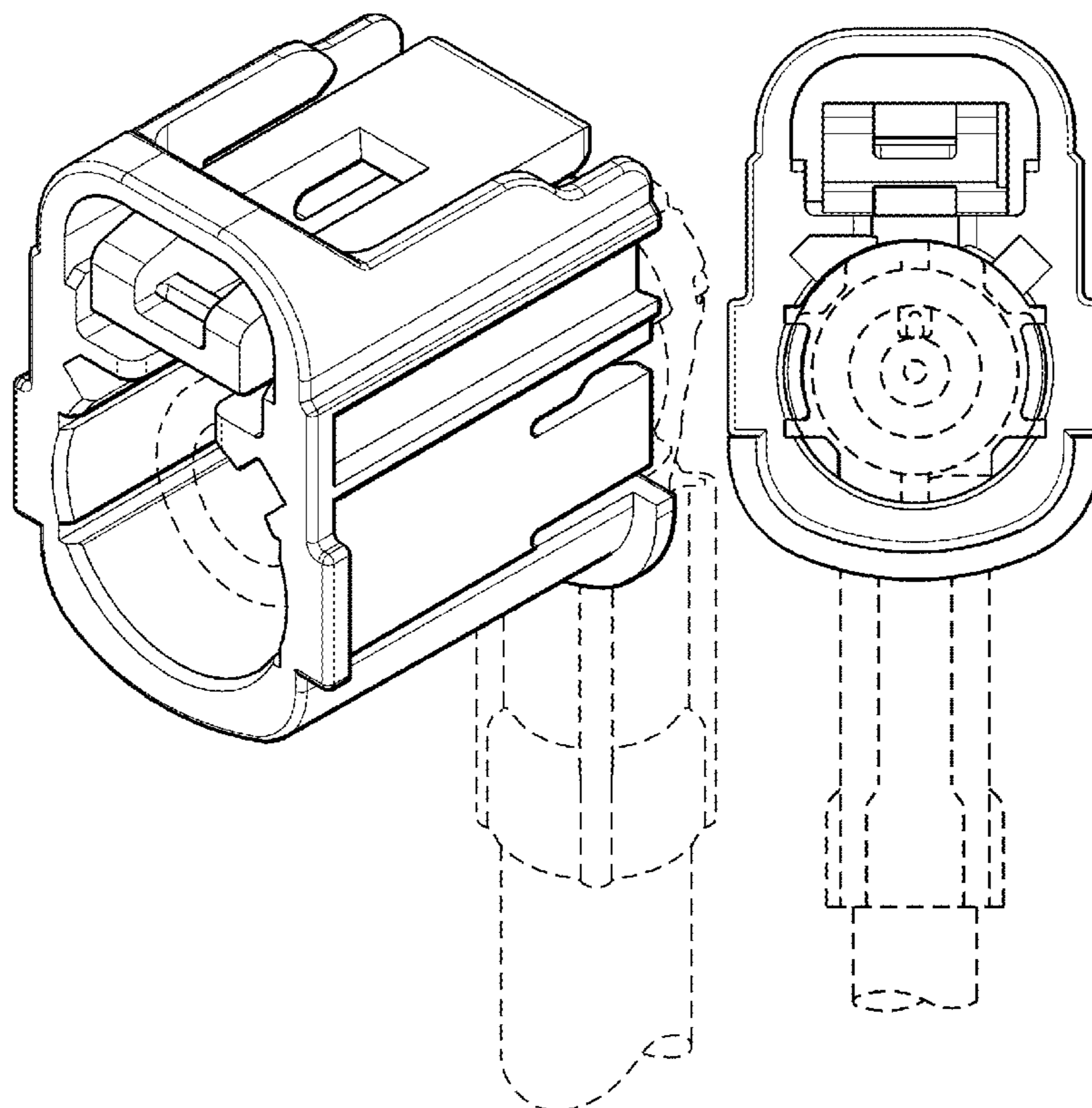
We claim the ornamental design for a connector assembly housing, as shown and described.

**DESCRIPTION**

FIG. 1 is a perspective view of the connector assembly housing in an intended environment; FIG. 2 is a front side elevation view thereof; FIG. 3 is a right side elevation view thereof; FIG. 4 is a left side elevation view thereof; FIG. 5 is a back side elevation view thereof; FIG. 6 is a top plan view thereof; and, FIG. 7 is a bottom plan view thereof.

The broken lines are for the purpose of illustrating the environment of the article only and form no part of the claimed design.

**1 Claim, 4 Drawing Sheets**



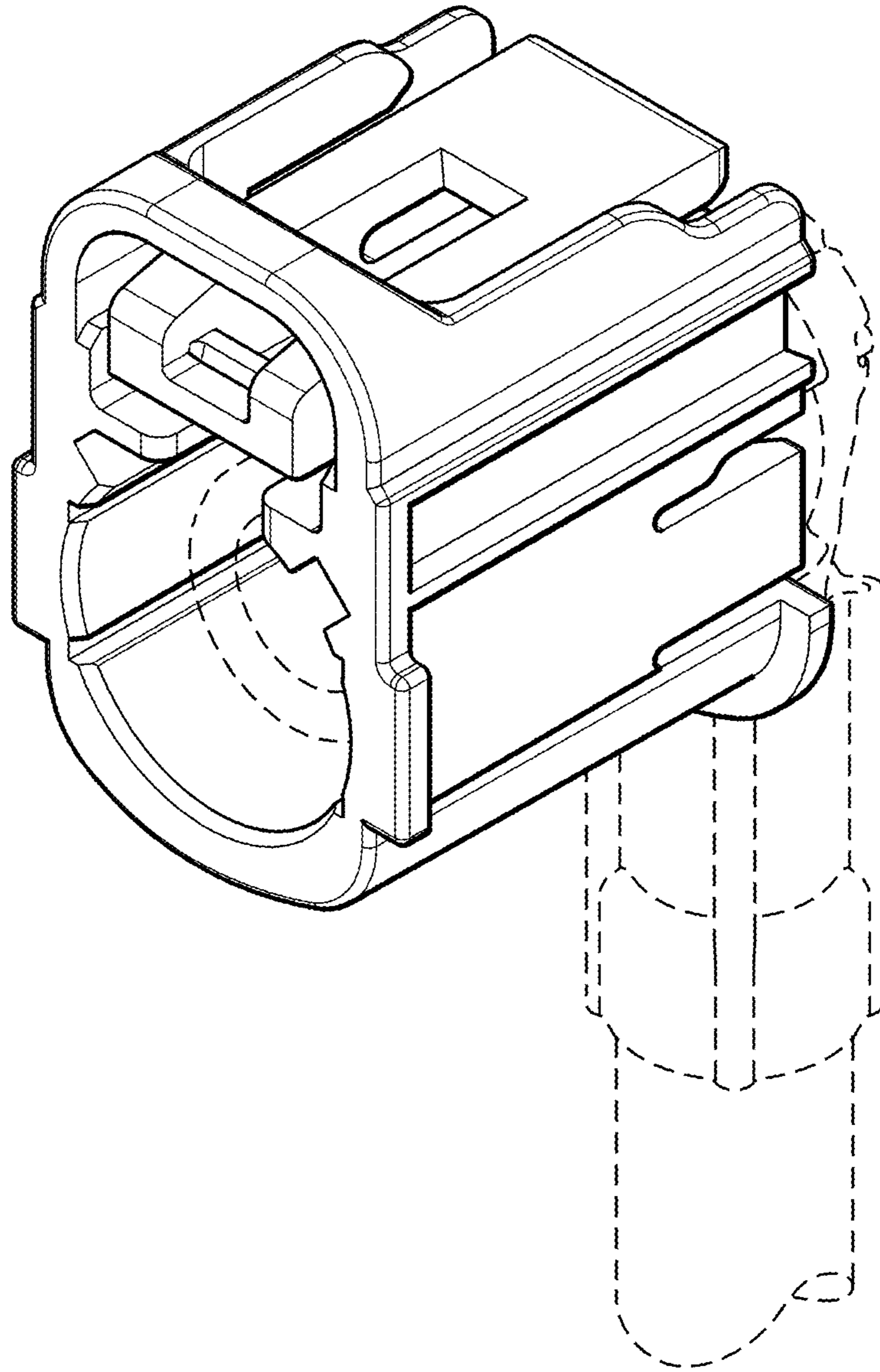


FIG. 1

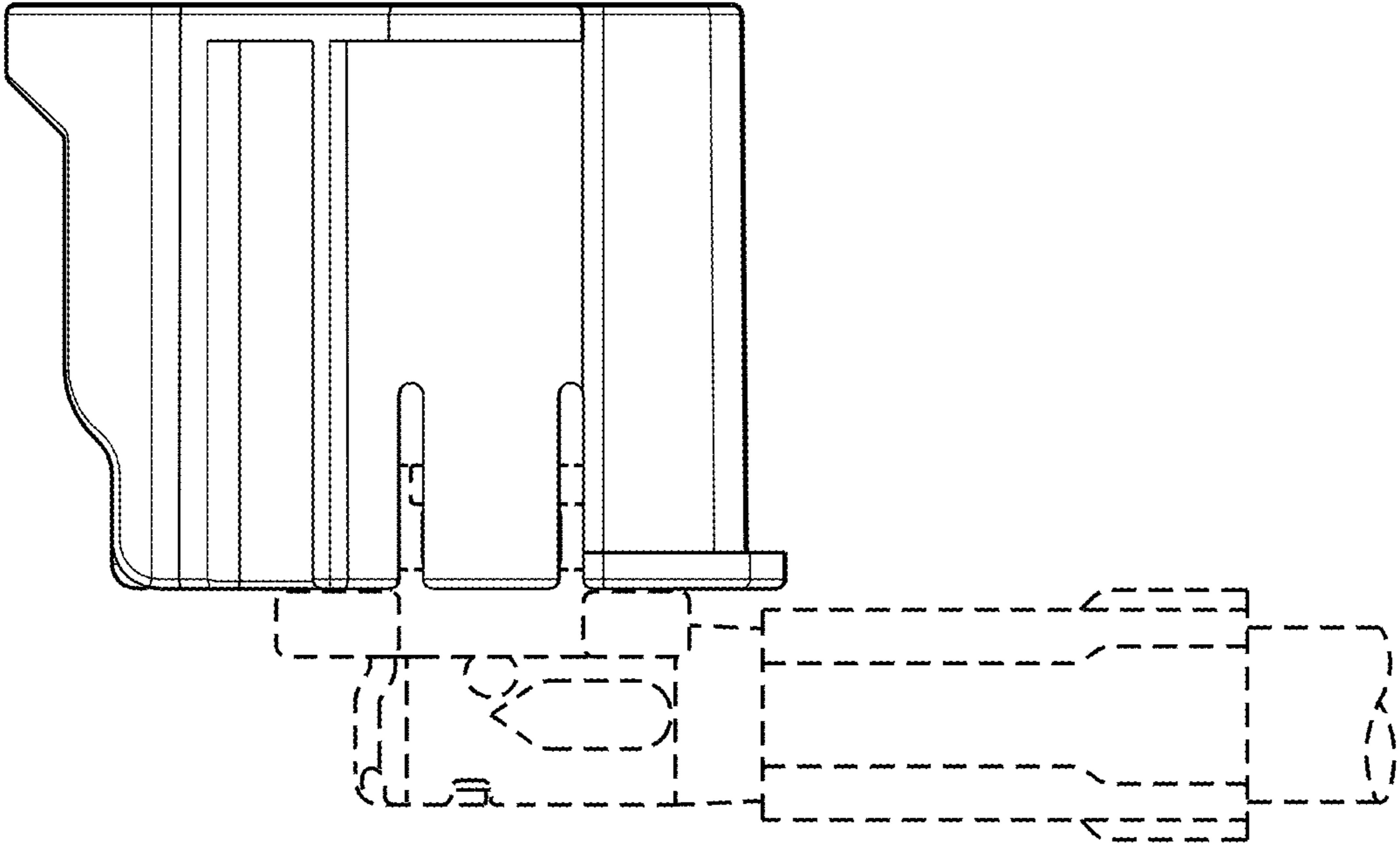


FIG. 3

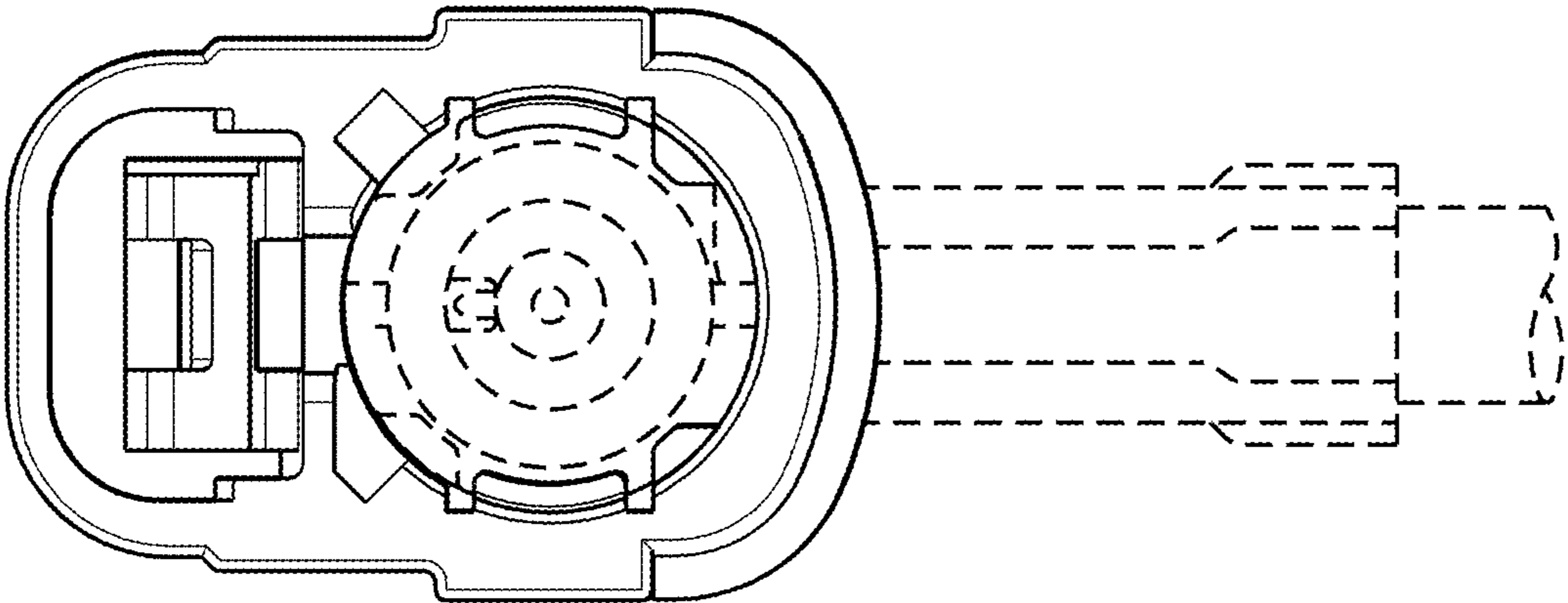


FIG. 2

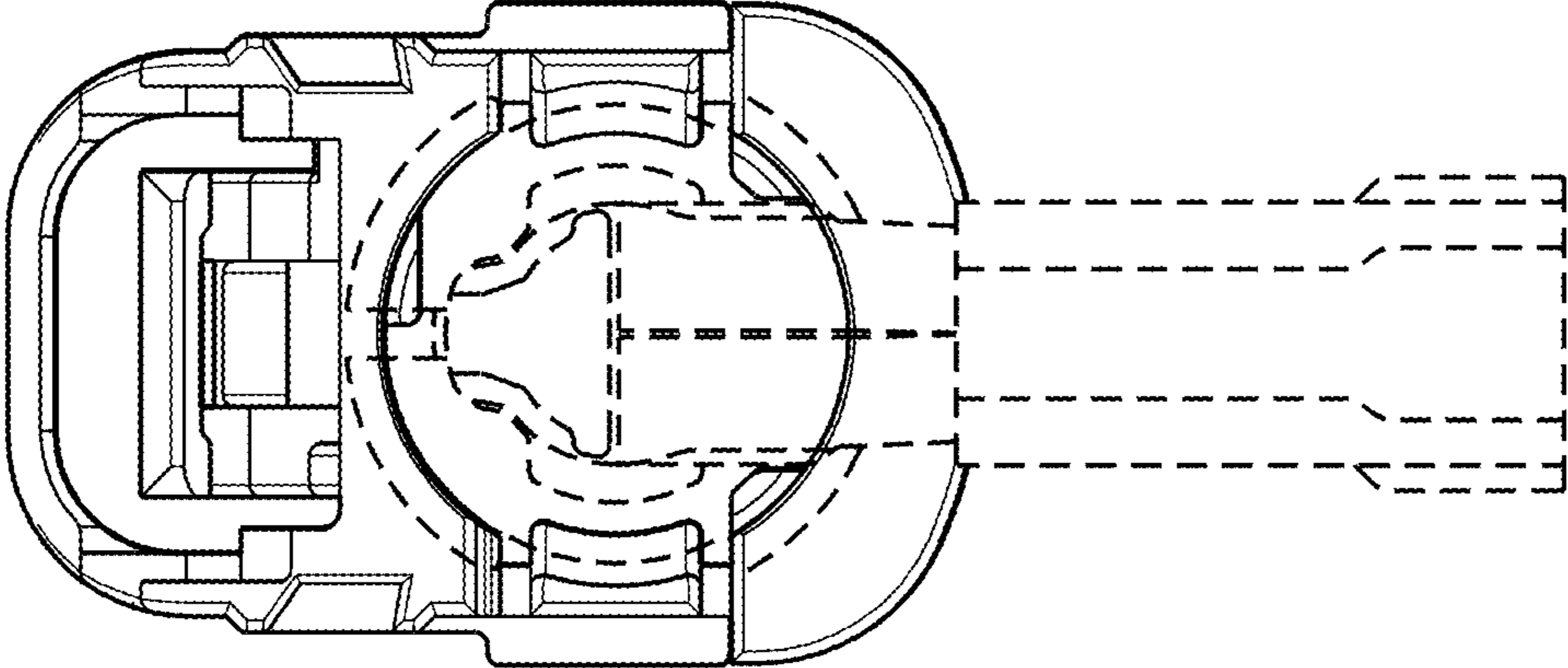


FIG. 5

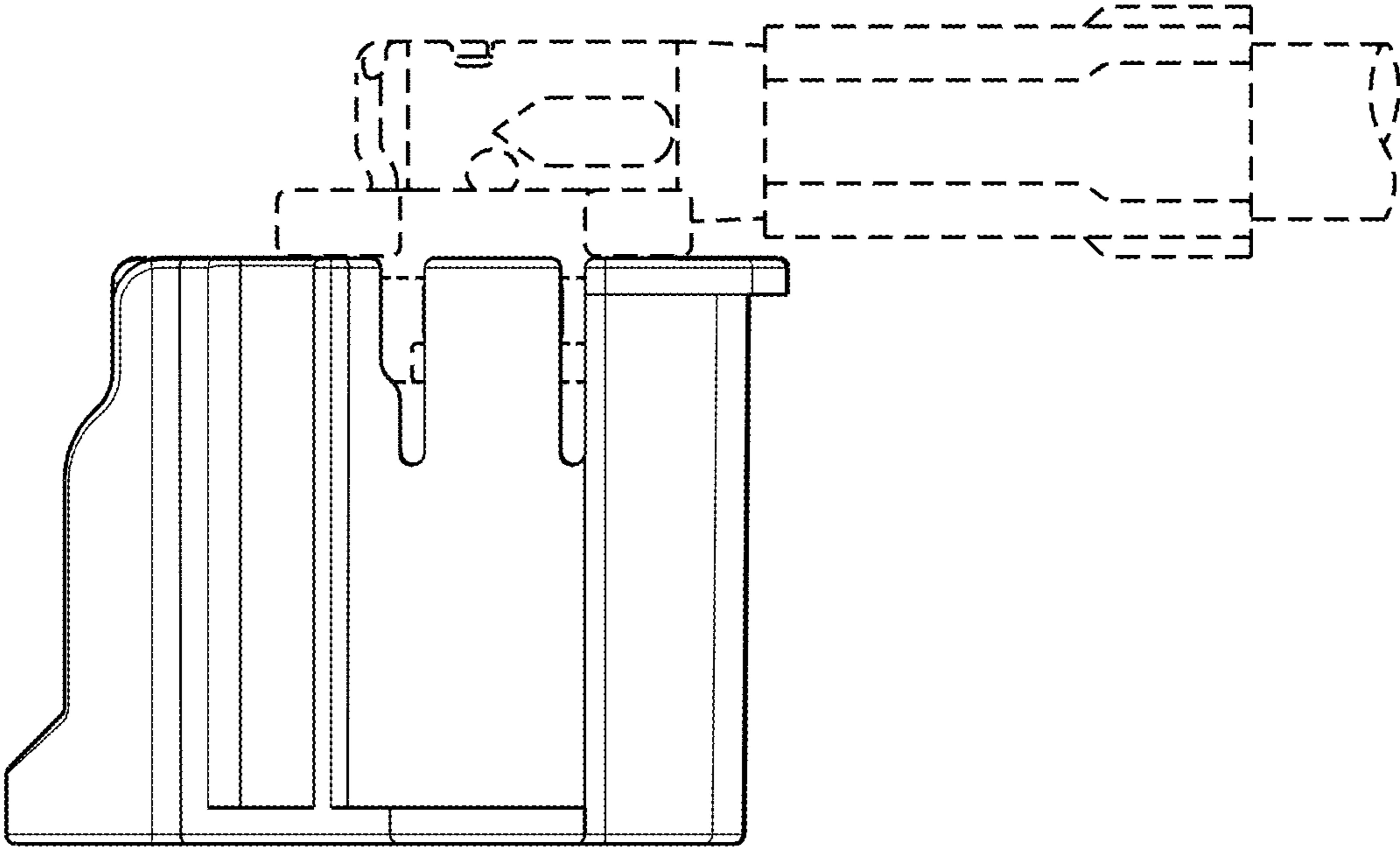


FIG. 4

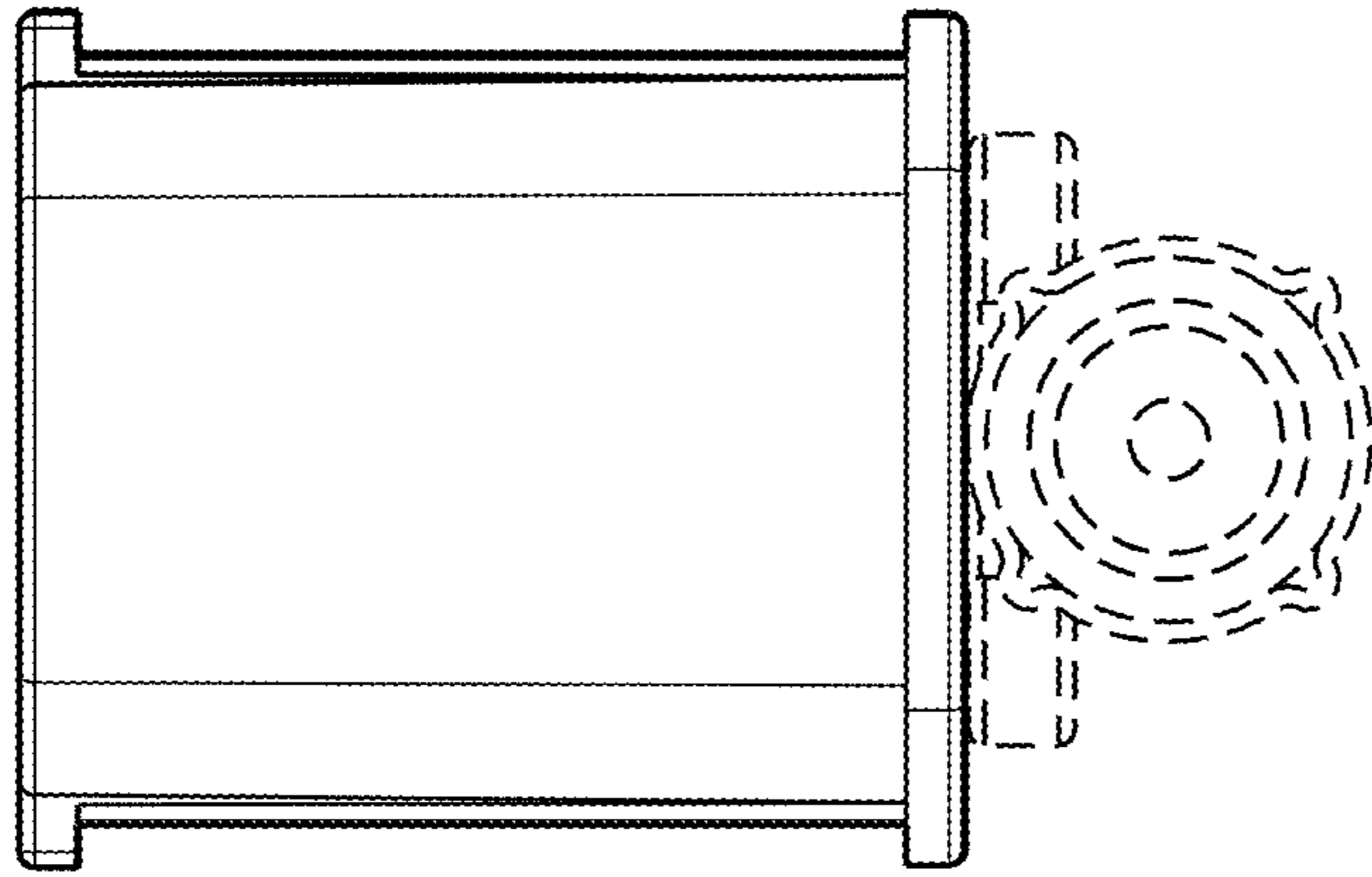


FIG. 7

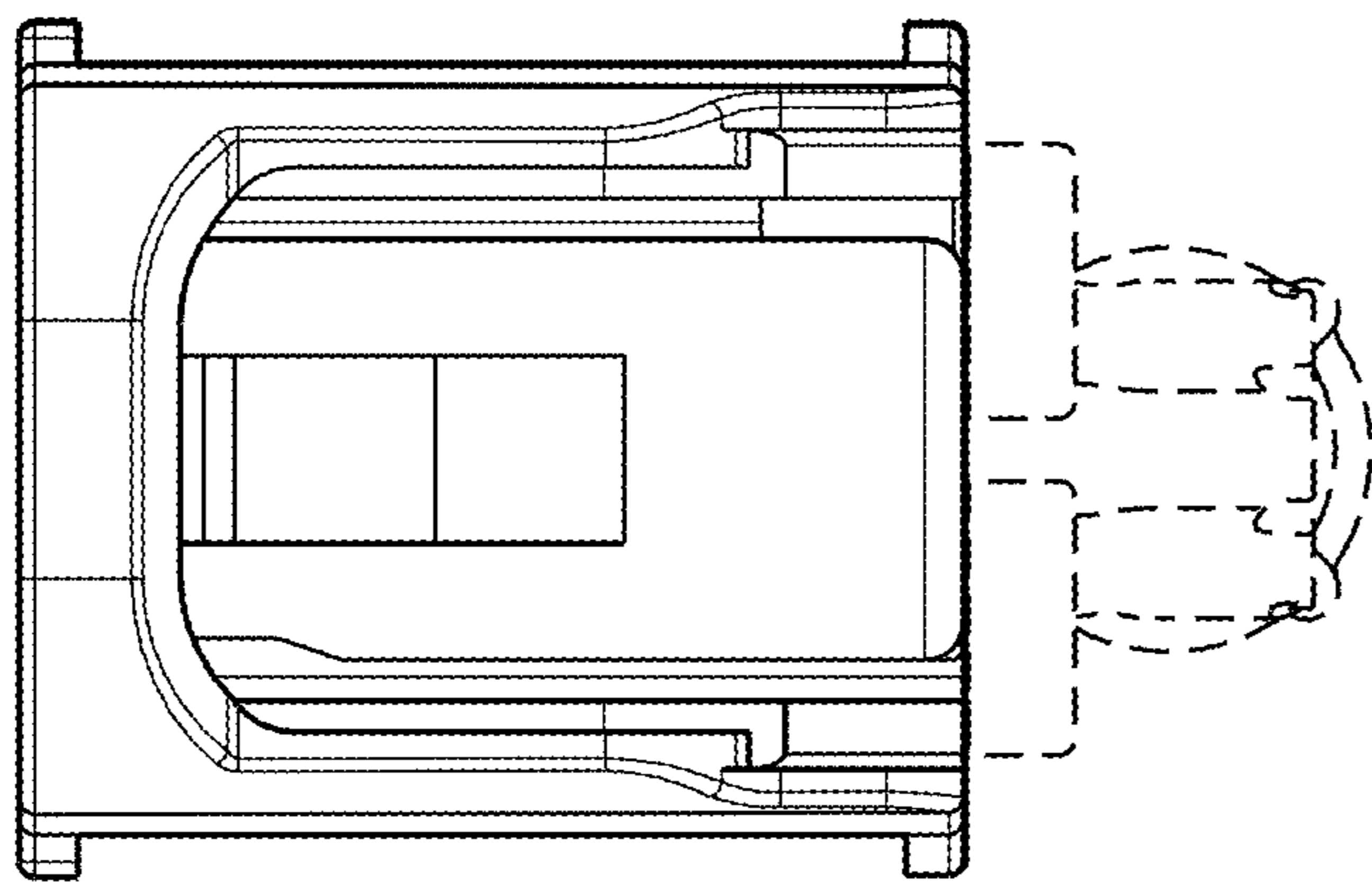


FIG. 6