



US00D878302S

(12) **United States Design Patent** (10) **Patent No.:** **US D878,302 S**  
**Yamada et al.** (45) **Date of Patent:** **\*\* Mar. 17, 2020**

(54) **PLUG CONNECTOR**

(71) Applicant: **FUJIKURA LTD.**, Tokyo (JP)

(72) Inventors: **Kiyotaka Yamada**, Tokyo (JP); **Soichi Sugaya**, Tokyo (JP); **Kazunori Takei**, Tokyo (JP)

(73) Assignee: **FUJIKURA LTD.**, Tokyo (JP)

(\*\*) Term: **15 Years**

(21) Appl. No.: **29/674,534**

(22) Filed: **Dec. 21, 2018**

(30) **Foreign Application Priority Data**

Jun. 22, 2018 (JP) ..... 2018-013812

(51) **LOC (12) Cl.** ..... **13-03**

(52) **U.S. Cl.**  
USPC ..... **D13/147**

(58) **Field of Classification Search**  
USPC ..... D13/110, 123, 133, 146, 147, 149, 153,  
D13/154, 156, 173, 177, 178, 184, 199  
CPC .... H01R 12/57; H01R 12/70; H01R 12/7011;  
H01R 12/716; H01R 12/73; H01R 13/20;  
H01R 13/24; H01R 13/42; H01R 13/426;  
H01R 13/50; H01R 13/52; H01R 13/647  
See application file for complete search history.

(56) **References Cited**

**U.S. PATENT DOCUMENTS**

D603,799 S	*	11/2009	Obikane	.....	D13/147
D681,557 S	*	5/2013	Miyazaki	.....	D13/147
D684,121 S	*	6/2013	Miyazaki	.....	D13/147
D720,699 S	*	1/2015	Watanabe	.....	D13/147
D721,040 S	*	1/2015	Watanabe	.....	D13/147
D737,781 S	*	9/2015	Yoshioka	.....	D13/147
D742,834 S	*	11/2015	Kobuchi	.....	D13/147
D743,345 S	*	11/2015	Kobuchi	.....	D13/147

D745,462 S	*	12/2015	Kobuchi	.....	D13/147
D745,848 S	*	12/2015	Kobuchi	.....	D13/147
D756,933 S	*	5/2016	Kobuchi	.....	D13/147
D759,601 S	*	6/2016	Kobuchi	.....	D13/147
D767,499 S	*	9/2016	Goto	.....	D13/147
9,728,882 B1	*	8/2017	Nakazawa	.....	H01R 12/716
D829,661 S	*	10/2018	Horino	.....	D13/133
2016/0315430 A1	*	10/2016	Takeuchi	.....	H01R 12/707
2017/0194727 A1	*	7/2017	Yoshioka	.....	H01R 12/716
2017/0264048 A1	*	9/2017	Ashibu	.....	H01R 12/716
2018/0287282 A1	*	10/2018	Horino	.....	H01R 12/73
2018/0323527 A1	*	11/2018	Ueda	.....	H01R 12/716
2018/0358729 A1	*	12/2018	Chen	.....	H01R 12/7088
2019/0131731 A1	*	5/2019	Lee	.....	H01R 13/405

\* cited by examiner

*Primary Examiner* — Angela J Lee

*Assistant Examiner* — Shawn T Gingrich

(74) *Attorney, Agent, or Firm* — Fitch, Even, Tabin & Flannery LLP

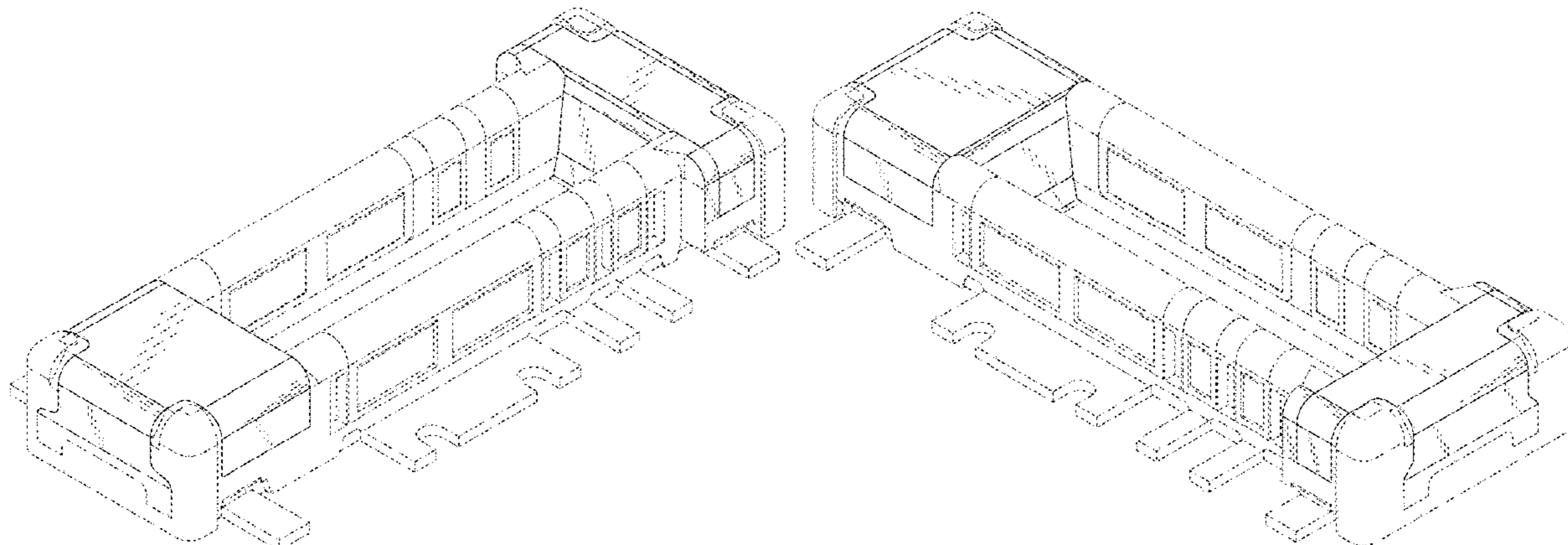
(57) **CLAIM**

We claim the ornamental design for a plug connector, as shown and described.

**DESCRIPTION**

FIG. 1 is a top, left perspective view of a plug connector, showing our new design;  
FIG. 2 is a top, right perspective view thereof;  
FIG. 3 is a bottom, left perspective view thereof;  
FIG. 4 is a front elevational view thereof, the rear elevational view being a mirror image;  
FIG. 5 is a top plan view thereof;  
FIG. 6 is a bottom plan view thereof;  
FIG. 7 is a left side elevational view thereof; and,  
FIG. 8 is a right side elevational view thereof.  
The dash-dash broken lines in the figure drawings are included to show portions of the article that form no part of the claimed design. The dot-dash-dot broken lines define the bounds of the claimed design and form no part thereof.

**1 Claim, 7 Drawing Sheets**



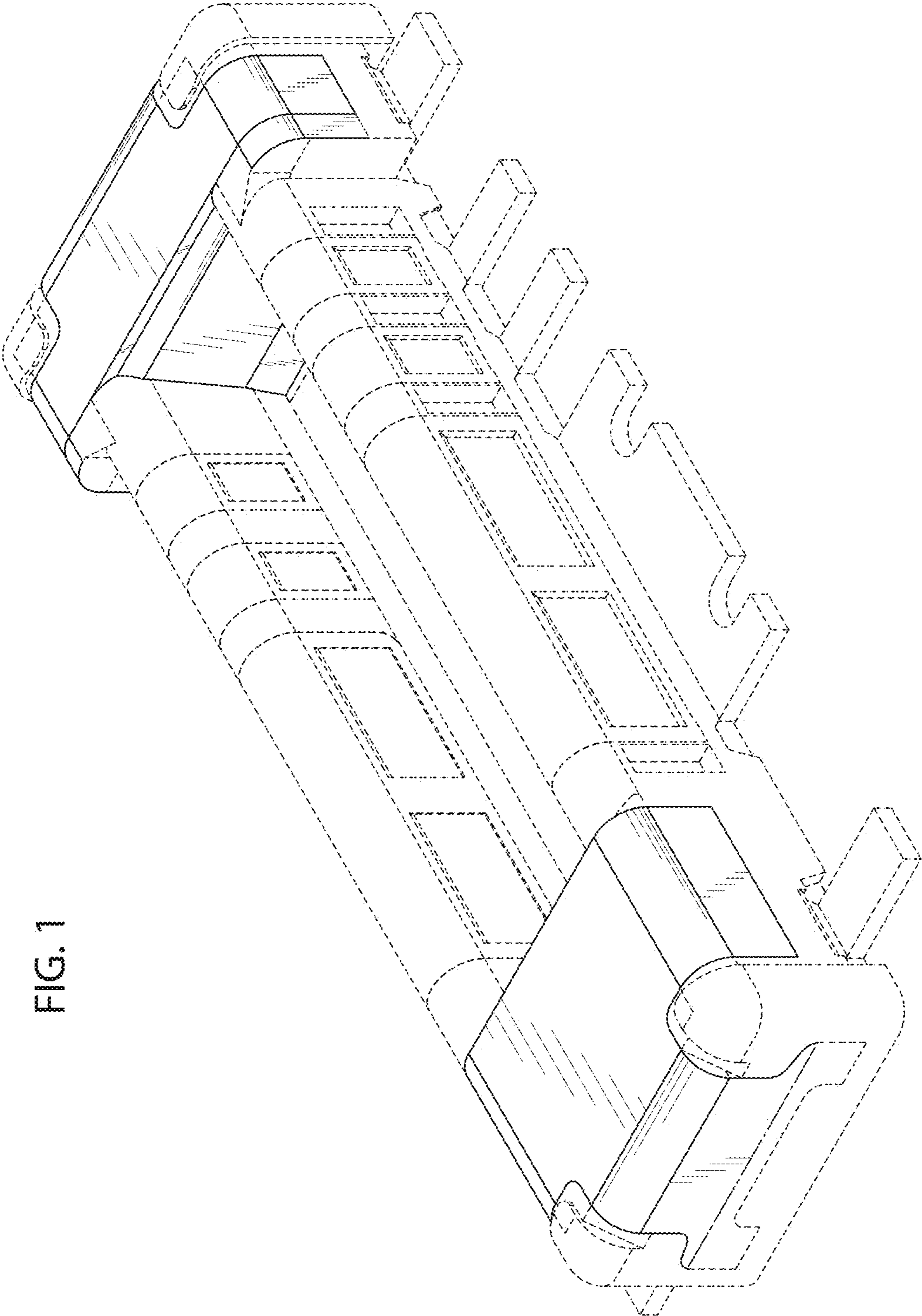


FIG. 1

FIG. 2

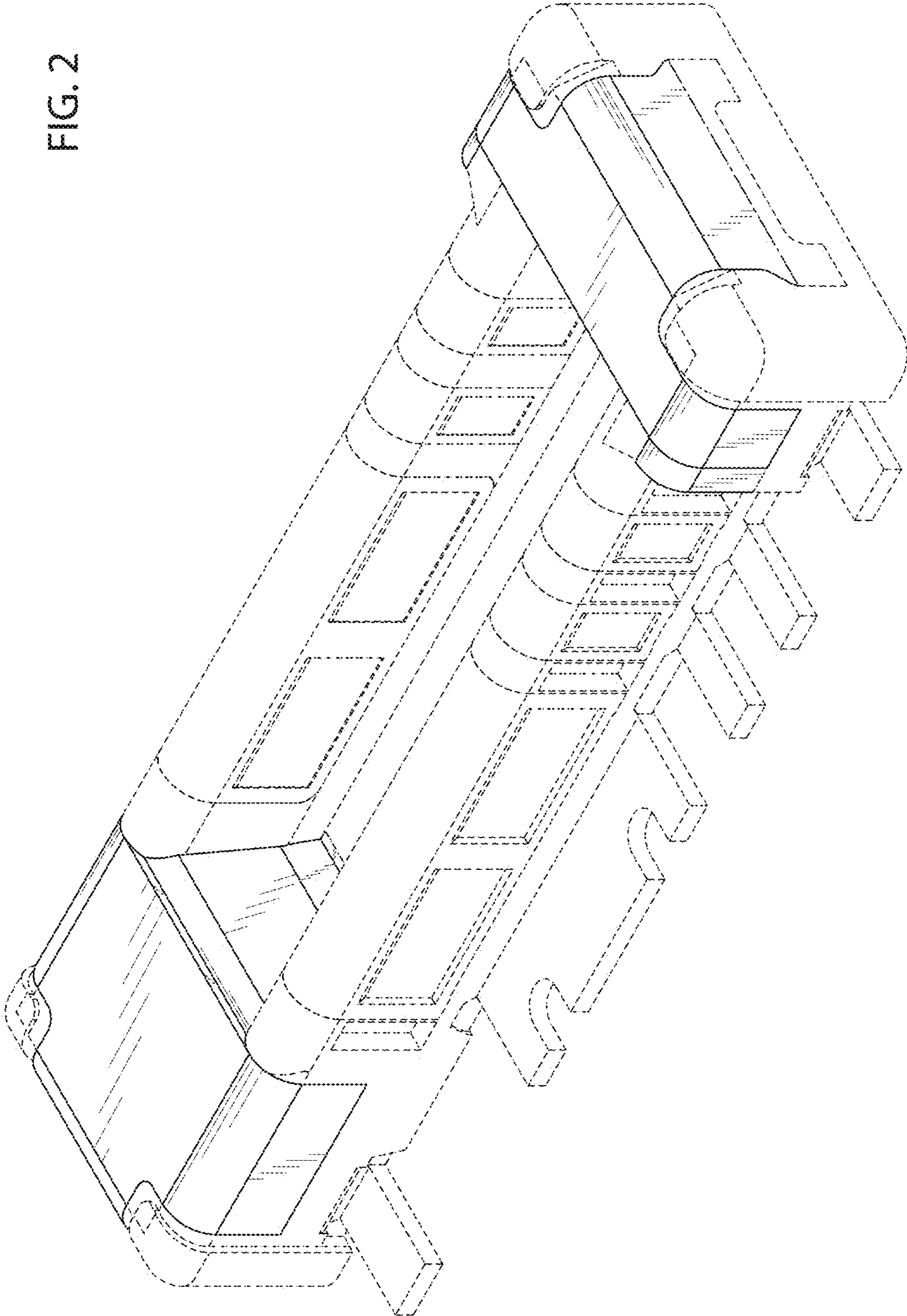
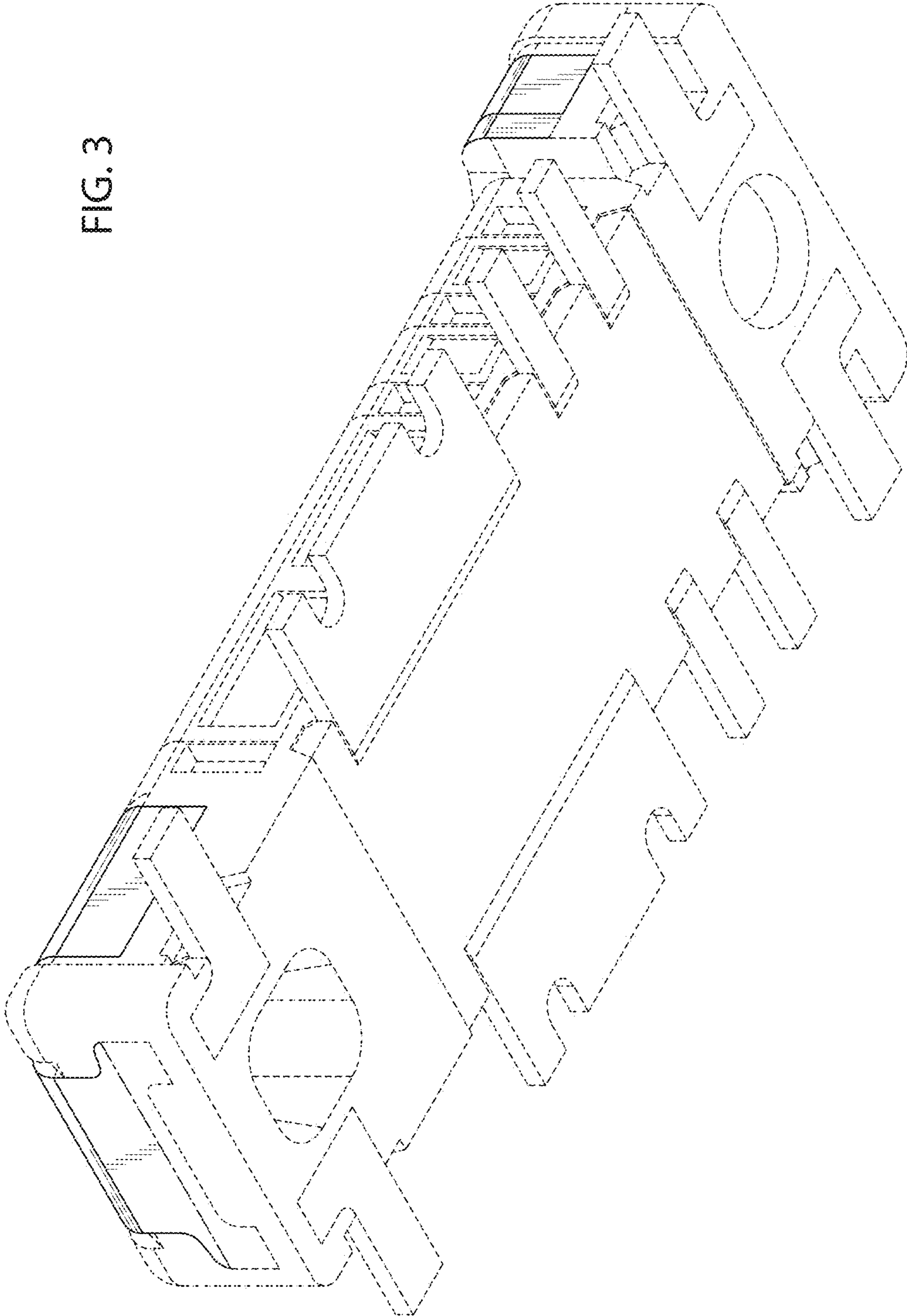


FIG. 3



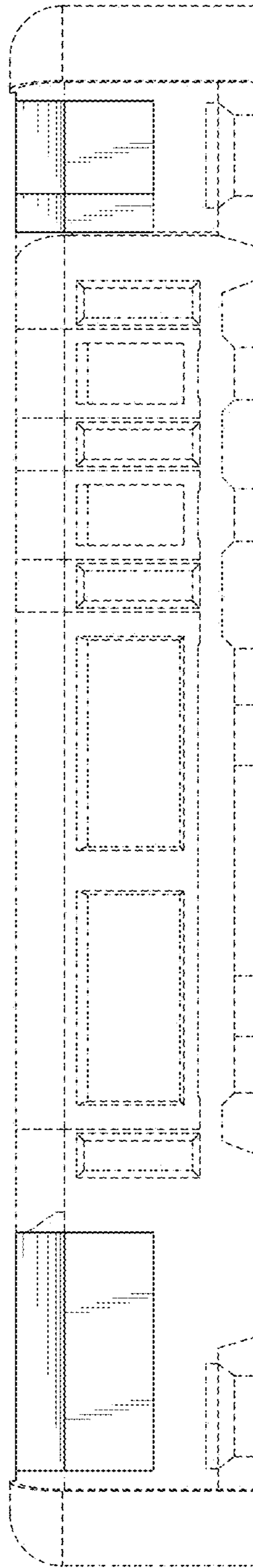


FIG. 4

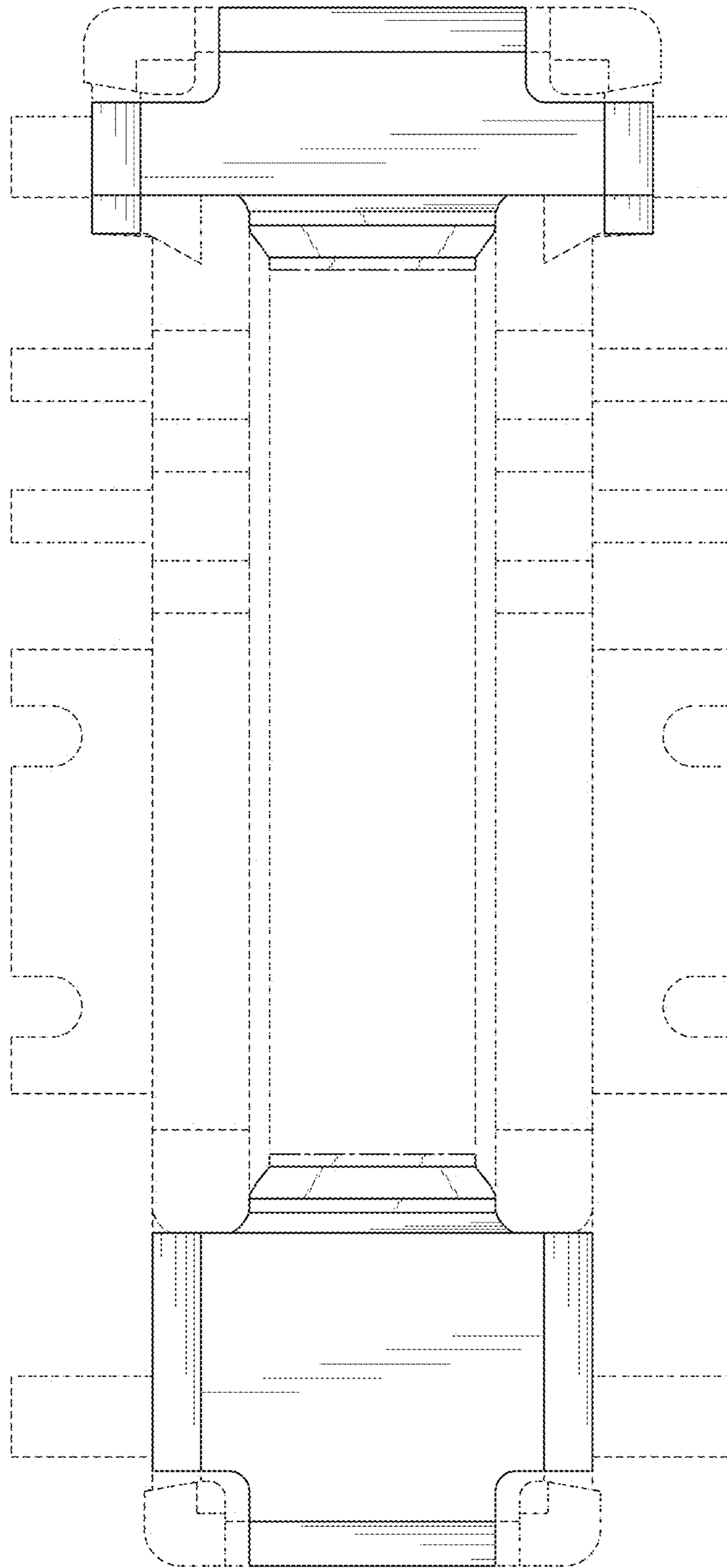


FIG. 5

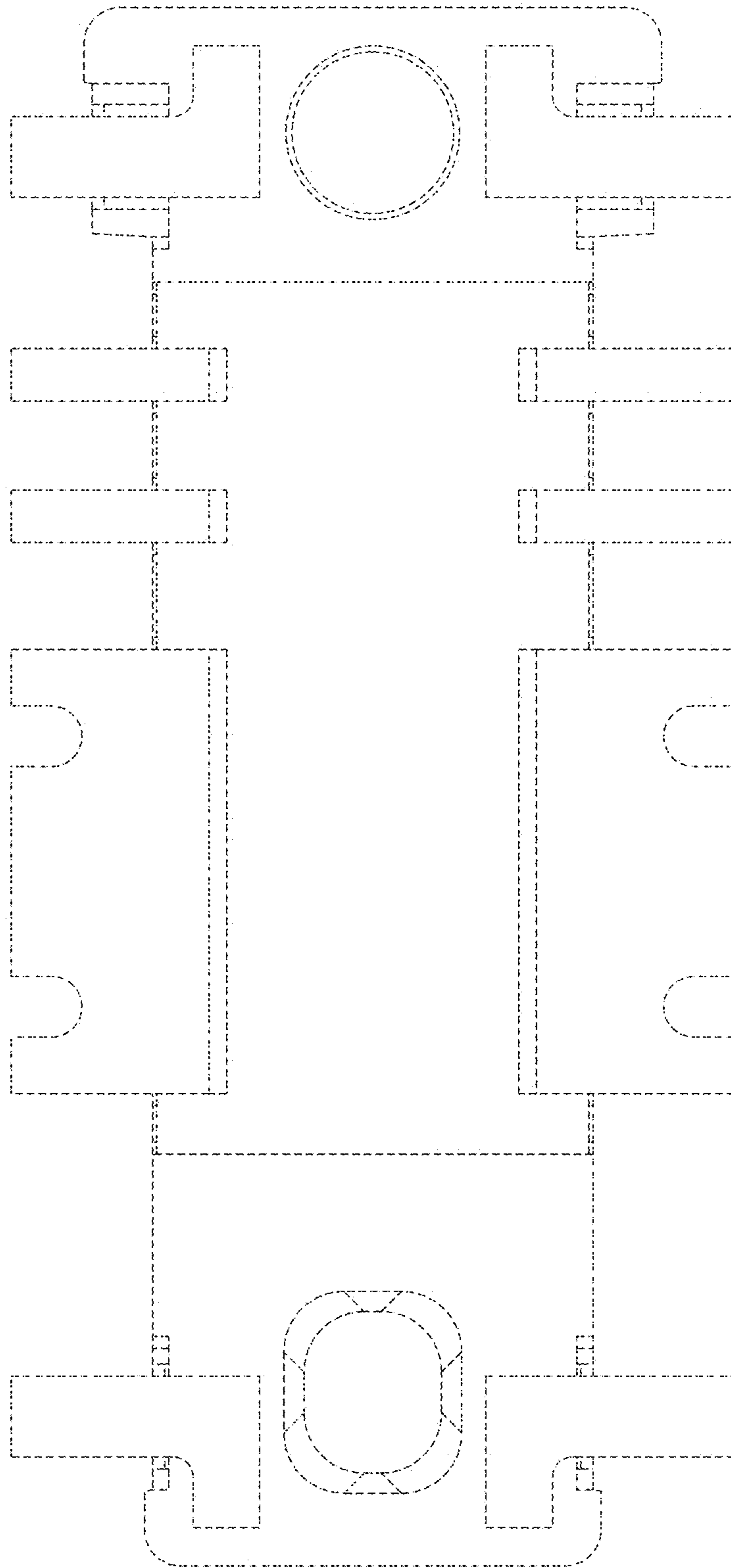


FIG. 6

FIG. 7

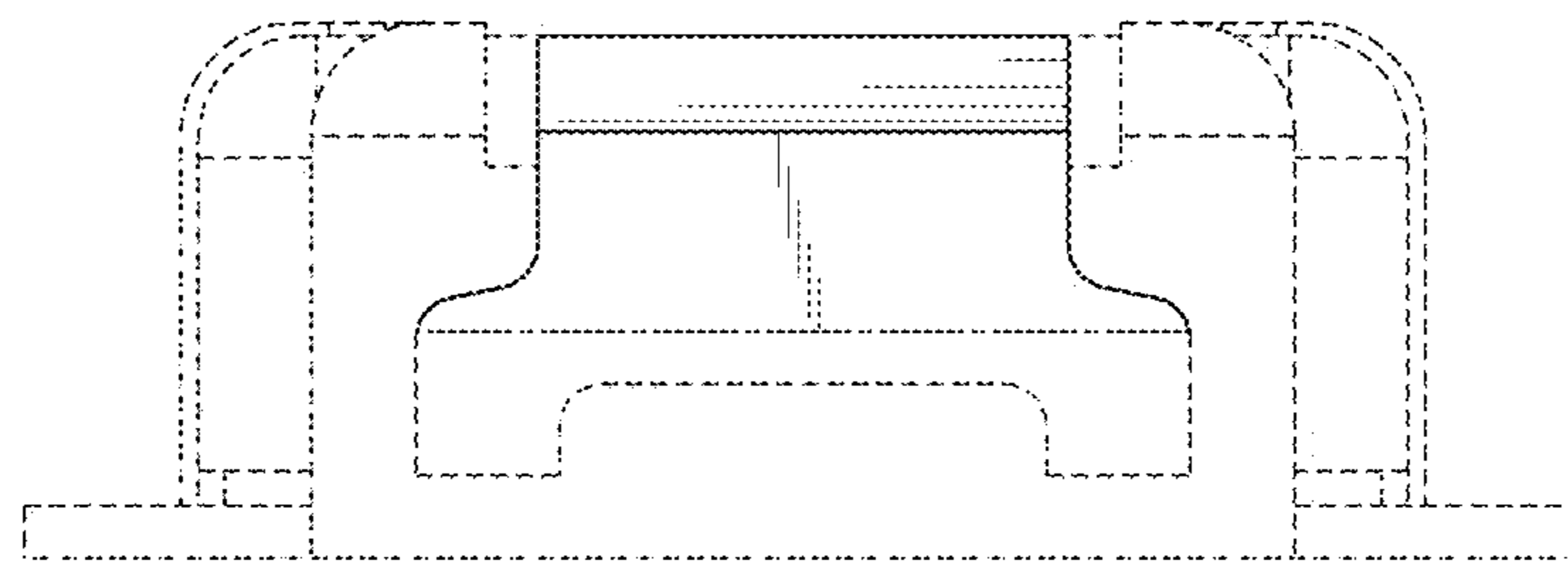


FIG. 8

