

US00D878301S

(12) **United States Design Patent** (10) **Patent No.:** **US D878,301 S**
Yamada et al. (45) **Date of Patent:** **** Mar. 17, 2020**

(54) **RECEPTACLE CONNECTOR**
(71) Applicant: **FUJIKURA LTD.**, Tokyo (JP)
(72) Inventors: **Kiyotaka Yamada**, Tokyo (JP); **Soichi Sugaya**, Tokyo (JP); **Kazunori Takei**, Tokyo (JP)
(73) Assignee: **FUJIKURA LTD.**, Tokyo (JP)
(**) Term: **15 Years**
(21) Appl. No.: **29/674,489**
(22) Filed: **Dec. 21, 2018**
(30) **Foreign Application Priority Data**
Jun. 22, 2018 (JP) 2018-013811
(51) **LOC (12) Cl.** **13-03**
(52) **U.S. Cl.**
USPC **D13/147**
(58) **Field of Classification Search**
USPC D13/110, 123, 133, 146, 147, 149, 153,
D13/154, 156, 173, 177, 178, 184, 199
CPC H01R 12/57; H01R 12/70; H01R 12/7011;
H01R 12/716; H01R 12/73; H01R 13/20;
H01R 13/24; H01R 13/42; H01R 13/426;
H01R 13/50; H01R 13/52; H01R 13/647
See application file for complete search history.

(56) **References Cited**
U.S. PATENT DOCUMENTS
D561,697 S * 2/2008 Chen D13/147
D588,542 S * 3/2009 Lee D13/147
D642,986 S * 8/2011 Nishimura D13/147
D688,210 S * 8/2013 Mashiyama D13/147
D695,691 S * 12/2013 Kobuchi D13/147
D696,201 S * 12/2013 Takenaga D13/147
D703,146 S * 4/2014 Takenaga D13/147
D720,298 S * 12/2014 Takenaga D13/147

D721,040 S * 1/2015 Watanabe D13/147
D735,674 S * 8/2015 Miyazaki D13/147
D743,905 S * 11/2015 Kobuchi D13/147
D756,933 S * 5/2016 Kobuchi D13/147
D758,971 S * 6/2016 Arichika D13/147
9,728,882 B1 * 8/2017 Nakazawa H01R 12/716
2012/0231637 A1 * 9/2012 Takeuchi H01R 12/716
439/65
2015/0140841 A1 * 5/2015 Watanabe H01R 12/7011
439/74
2016/0013573 A1 * 1/2016 Miyazaki H01R 12/716
439/626
2017/0018868 A1 * 1/2017 Lee H01R 12/716
2017/0264048 A1 * 9/2017 Ashibu H01R 12/716
2017/0365944 A1 * 12/2017 Yoshioka H01R 12/71

* cited by examiner

Primary Examiner — Angela J Lee

Assistant Examiner — Shawn T Gingrich

(74) *Attorney, Agent, or Firm* — Fitch, Even, Tabin & Flannery LLP

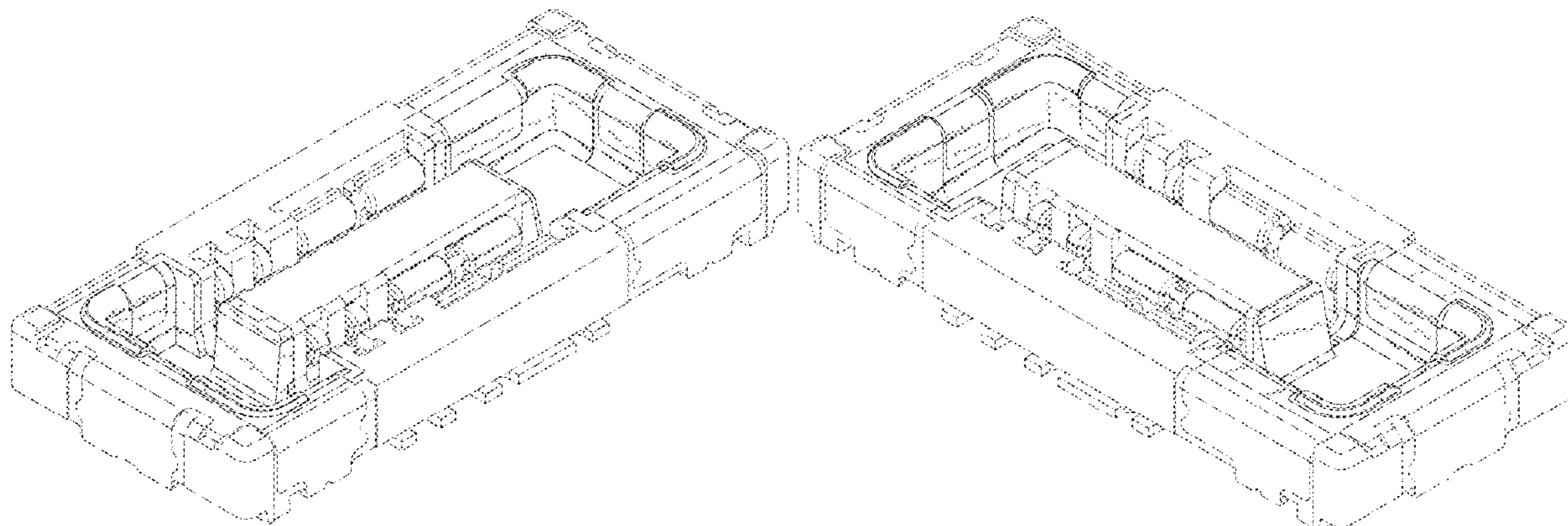
(57) **CLAIM**

We claim the ornamental design for a receptacle connector, as shown and described.

DESCRIPTION

FIG. 1 is a top, left perspective view of a receptacle connector, showing our new design;
FIG. 2 is a top, right perspective view thereof;
FIG. 3 is a front elevational view thereof, the rear elevational view being a mirror image;
FIG. 4 is a top plan view thereof;
FIG. 5 is a bottom plan view thereof;
FIG. 6 is a left side elevational view thereof; and,
FIG. 7 is a right side elevational view thereof.
The dash-dash broken lines in the figure drawings are included to show portions of the article that form no part of the claimed design. The dot-dash-dot broken lines define the bounds of the claimed design and form no part thereof.

1 Claim, 6 Drawing Sheets



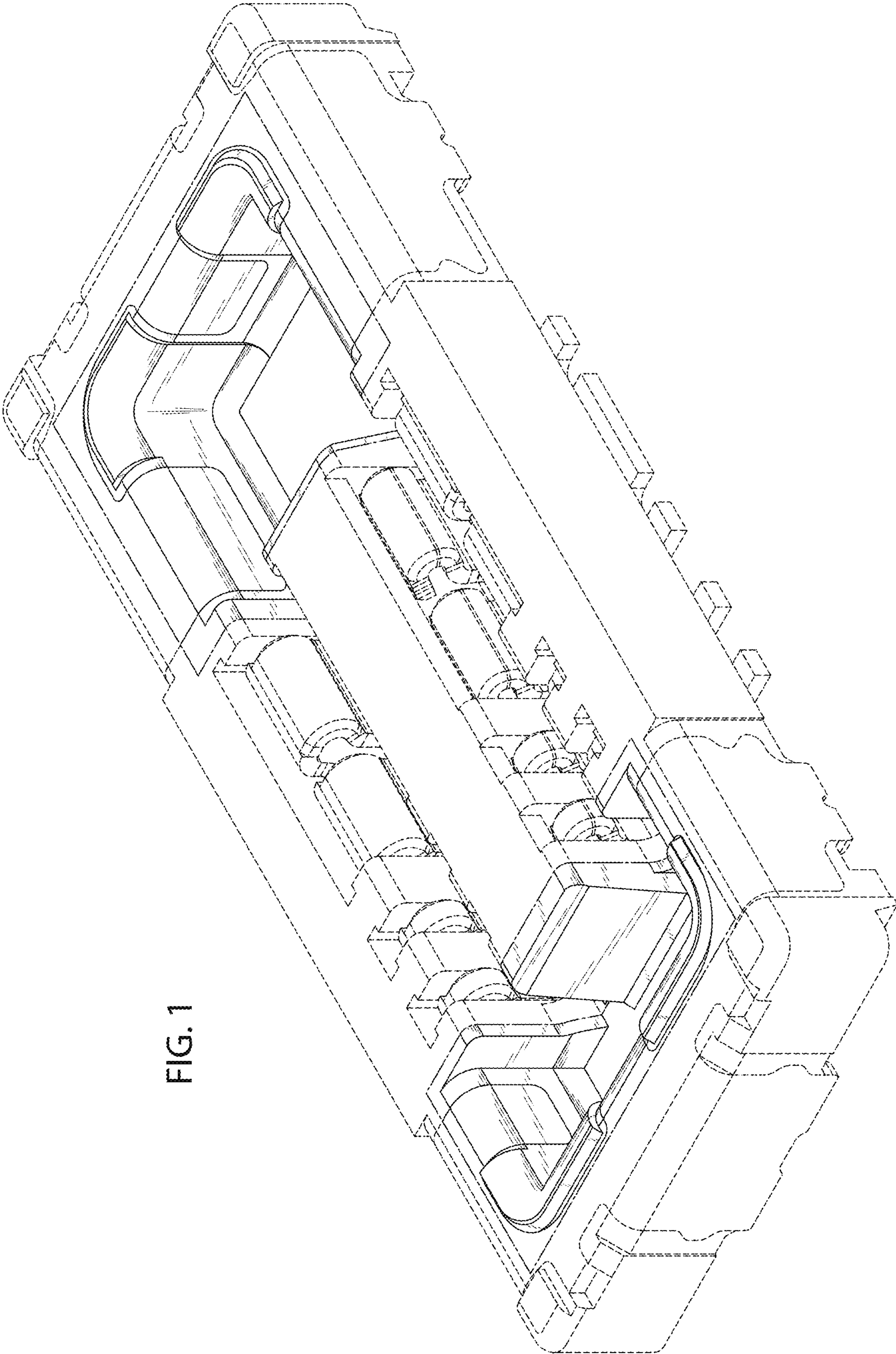


FIG. 1

FIG. 2

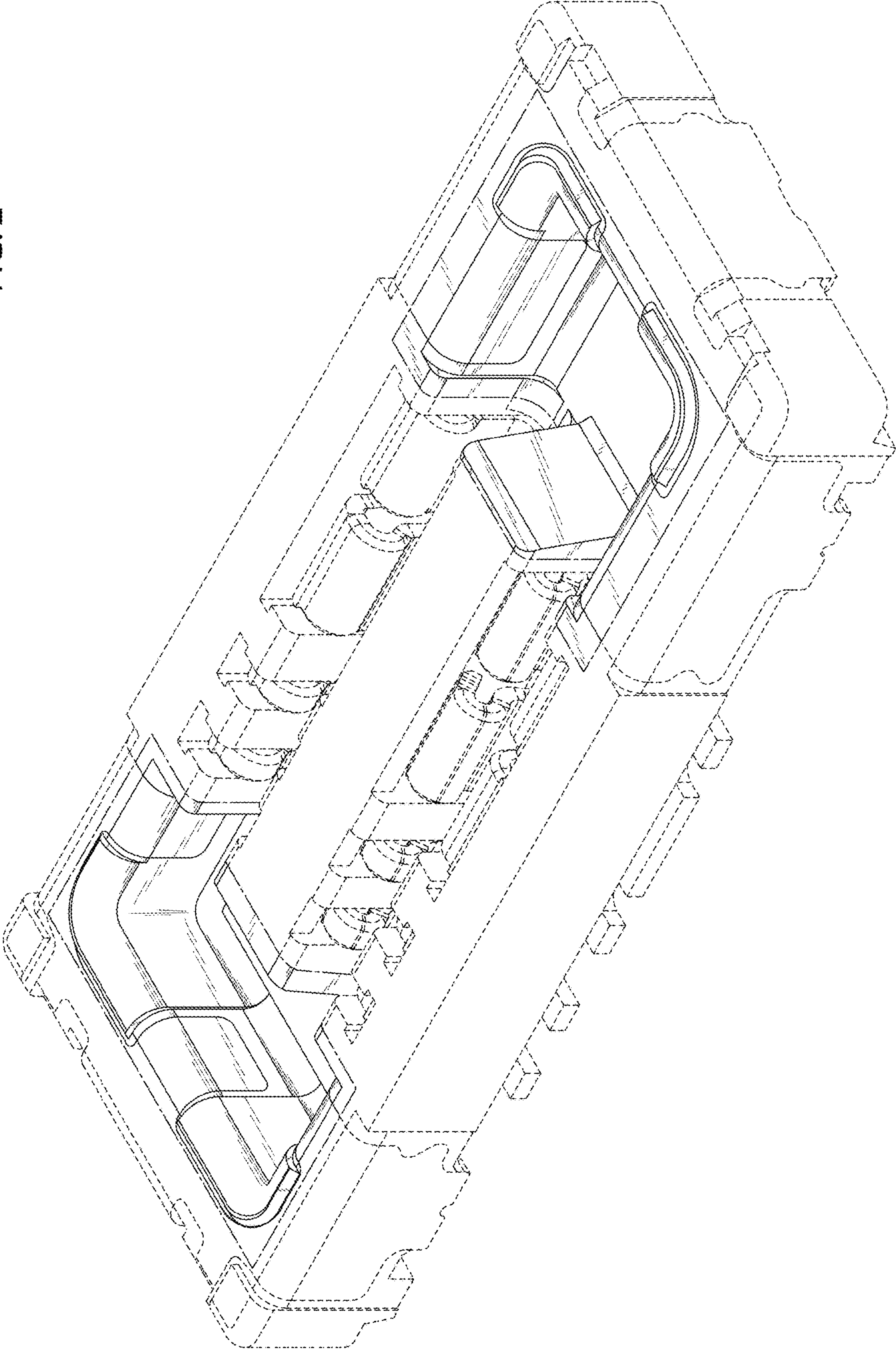
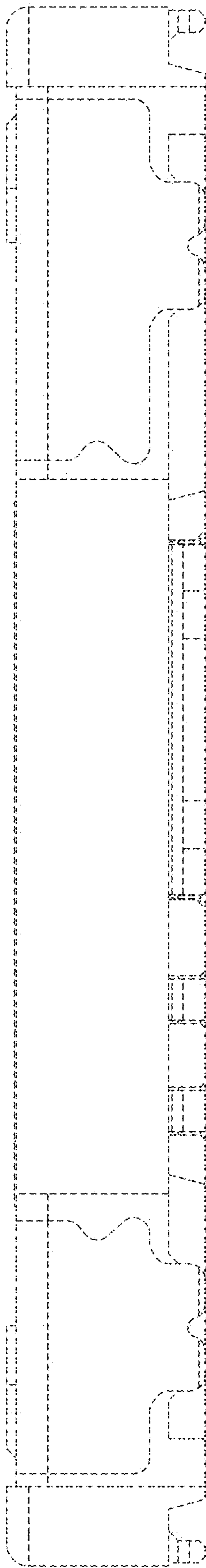


FIG. 3



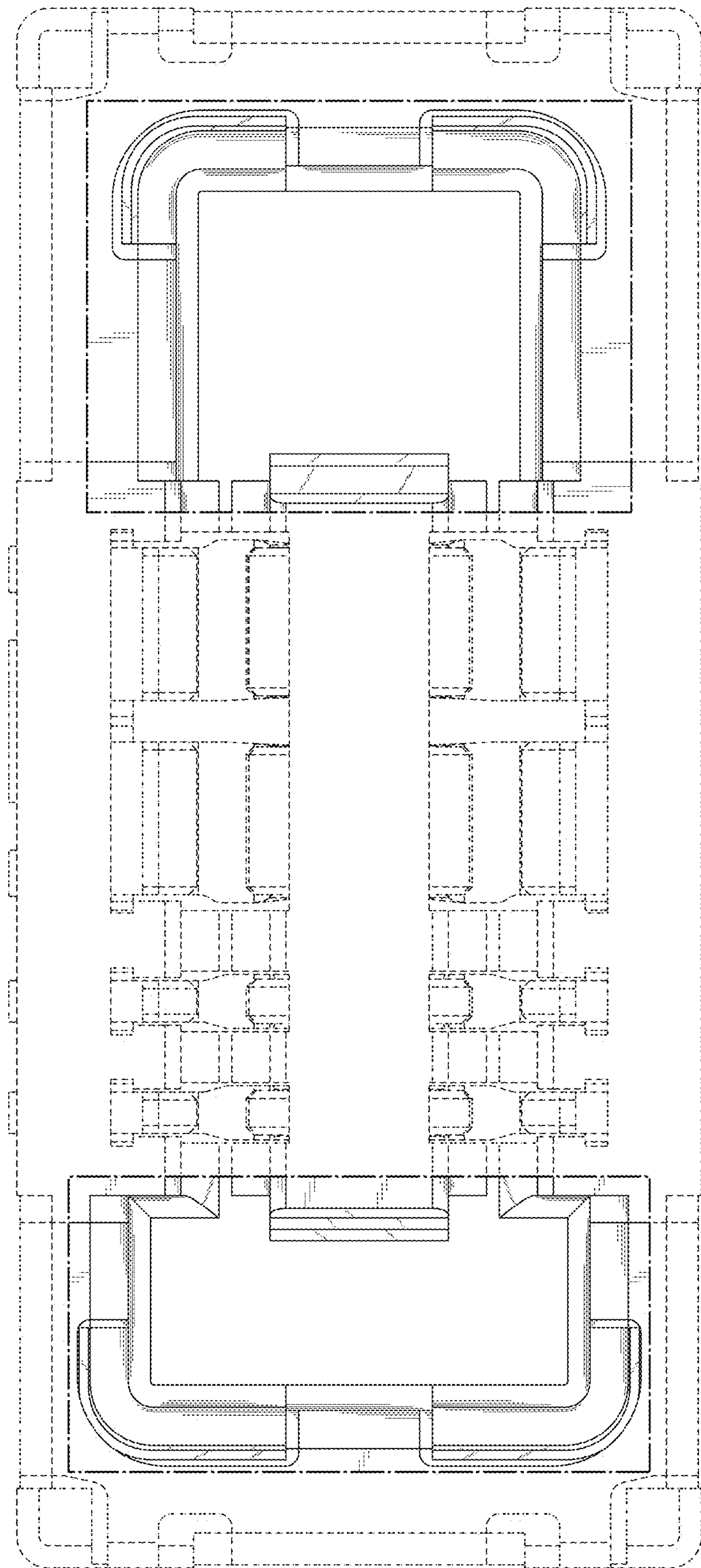


FIG. 4

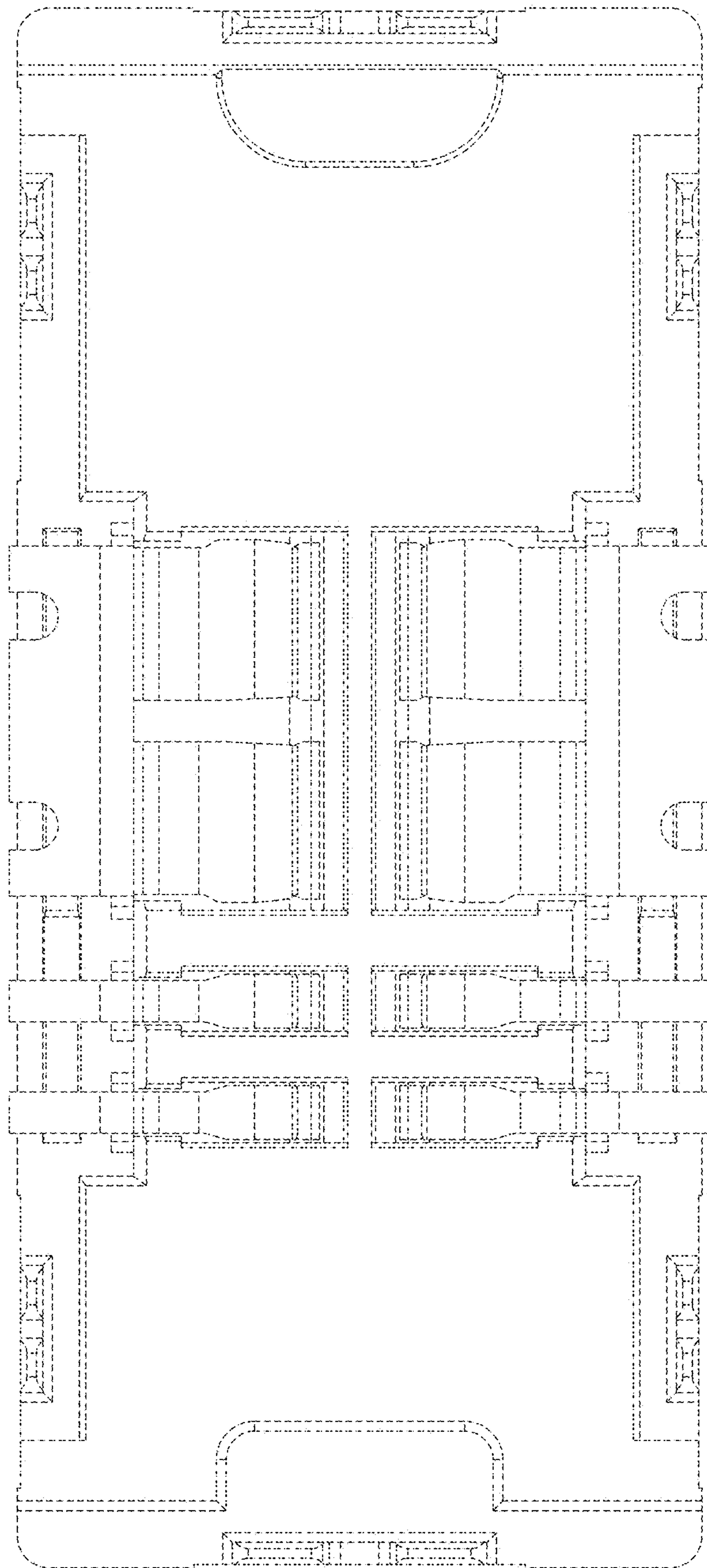


FIG. 5

FIG. 6

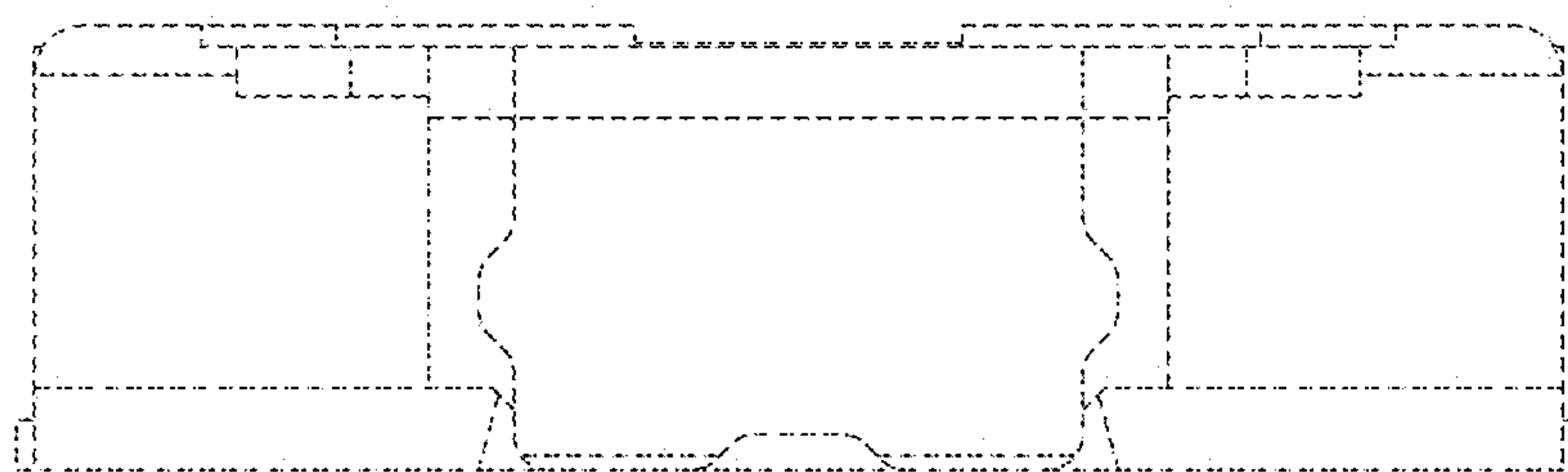


FIG. 7

