



US00D878300S

(12) **United States Design Patent** (10) **Patent No.:** **US D878,300 S**
Lyu (45) **Date of Patent:** **** Mar. 17, 2020**

(54) **POWER STRIP**
(71) Applicant: **Zhuhai Iihe Technology Co., Ltd,**
Zhuhai (CN)
(72) Inventor: **Shaopeng Lyu, Shantou (CN)**
(**) Term: **15 Years**
(21) Appl. No.: **29/707,589**
(22) Filed: **Sep. 30, 2019**
(51) **LOC (12) Cl.** **13-03**
(52) **U.S. Cl.**
USPC **D13/139.8**
(58) **Field of Classification Search**
USPC ... D13/139.1–139.8, 137.1–137.4, 153, 147,
D13/133, 154, 152, 171, 107; D14/433,
D14/432; D10/106.1, 40
CPC .. H01R 25/006; H01R 13/5841; H02J 7/0004
See application file for complete search history.

D776,056 S * 1/2017 Block D13/137.2
D796,443 S * 9/2017 Xu
D797,675 S * 9/2017 Xu
D797,676 S * 9/2017 Xu
D820,212 S * 6/2018 Stern D13/137.2
D821,328 S * 6/2018 Byrne D13/139.4
10,340,645 B2 * 7/2019 Wu H01R 25/006
D859,195 S * 9/2019 Kristensson D10/106.1
D864,206 S * 10/2019 Wang D14/433
D867,998 S * 11/2019 Gorretta D13/139.8

* cited by examiner

Primary Examiner — Rhea Shields
(74) *Attorney, Agent, or Firm* — HYIP

(57) **CLAIM**

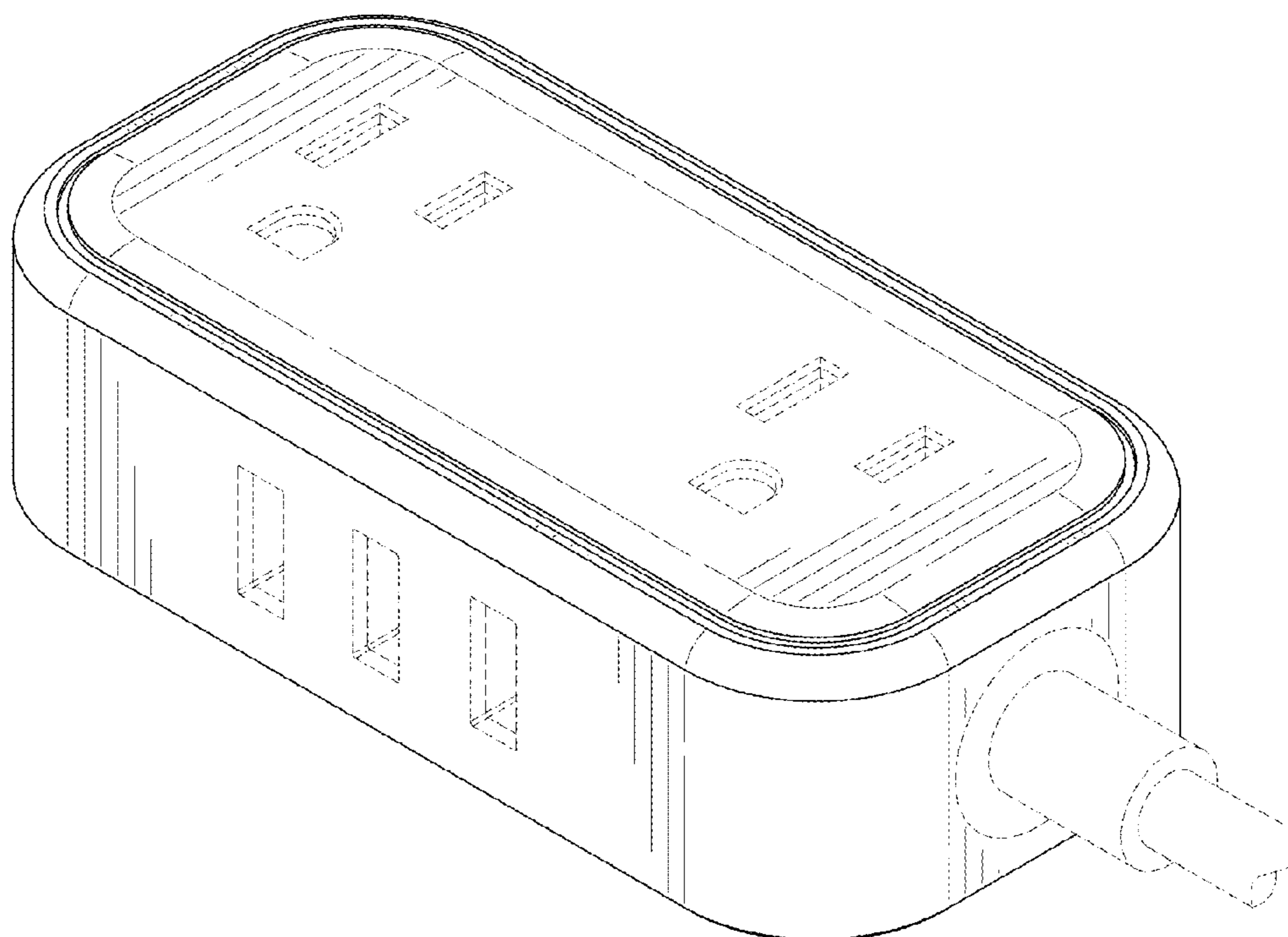
The ornamental design for a power strip, as shown and described.

DESCRIPTION

FIG. 1 is a first perspective view of a power strip showing my new design;
FIG. 2 is a second perspective view thereof;
FIG. 3 is a front view thereof;
FIG. 4 is a back view thereof;
FIG. 5 is a left side view thereof;
FIG. 6 is a right side view thereof;
FIG. 7 is a top view thereof; and,
FIG. 8 is a bottom view thereof.
The broken lines shown in the drawings depict portions of the power strip in which the new design is embodied that form no part of the claimed design.

(56) **References Cited**
U.S. PATENT DOCUMENTS
D399,488 S * 10/1998 Williams D13/139.7
D533,846 S * 12/2006 Burton D13/171
D621,782 S * 8/2010 Chang D13/138.1
D631,765 S * 2/2011 Qian D10/40
D665,354 S * 8/2012 Chen D13/138.1
D695,693 S * 12/2013 Lee D13/152
D702,239 S * 4/2014 Lee D14/432
D734,253 S * 7/2015 Tinaphong H02J 7/0004
D13/108
D753,063 S * 4/2016 Gelonese D13/137.2
9,350,113 B2 * 5/2016 Garner H01R 13/5841
D773,991 S * 12/2016 Liu D13/107

1 Claim, 8 Drawing Sheets



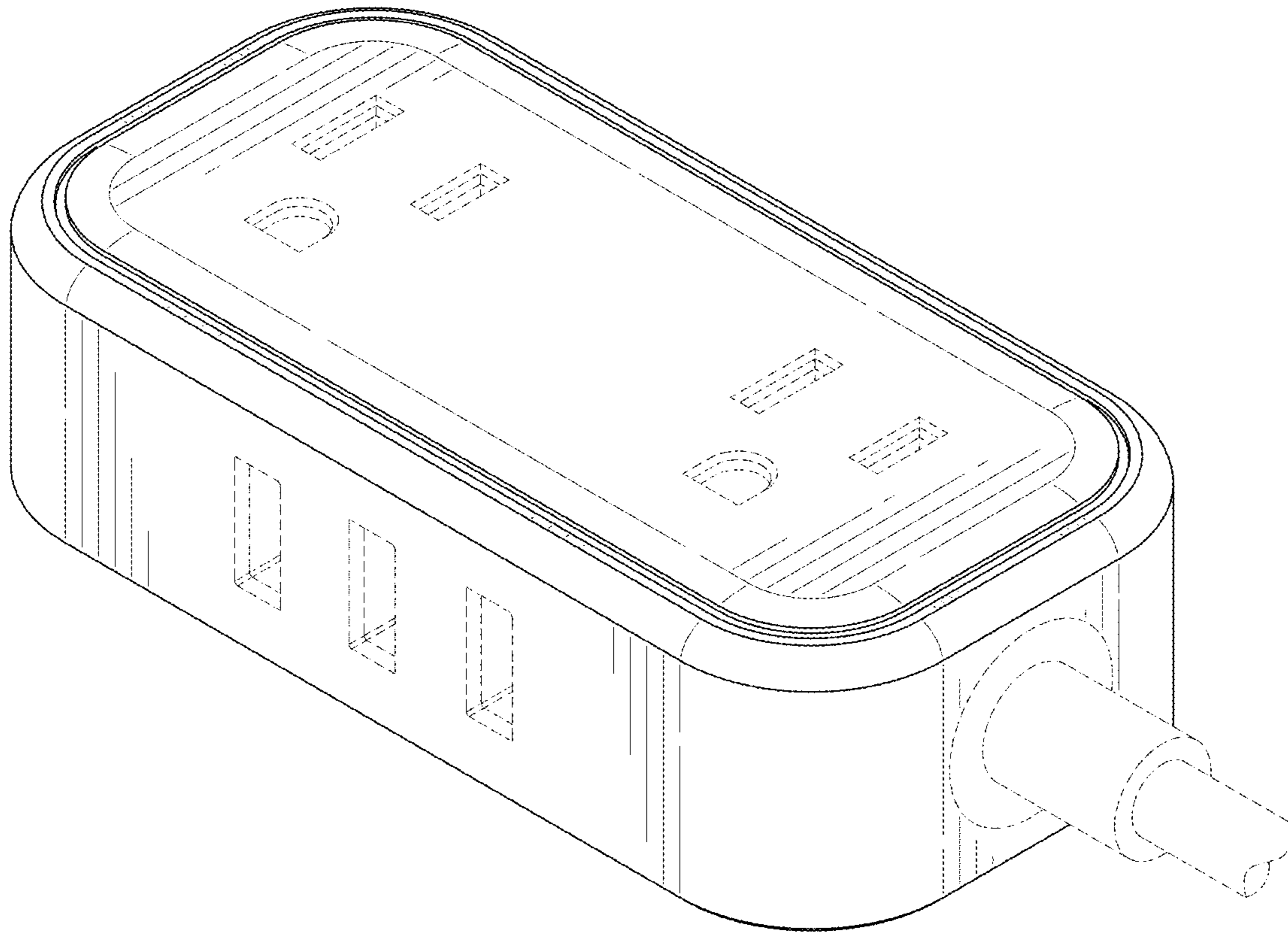


FIG. 1

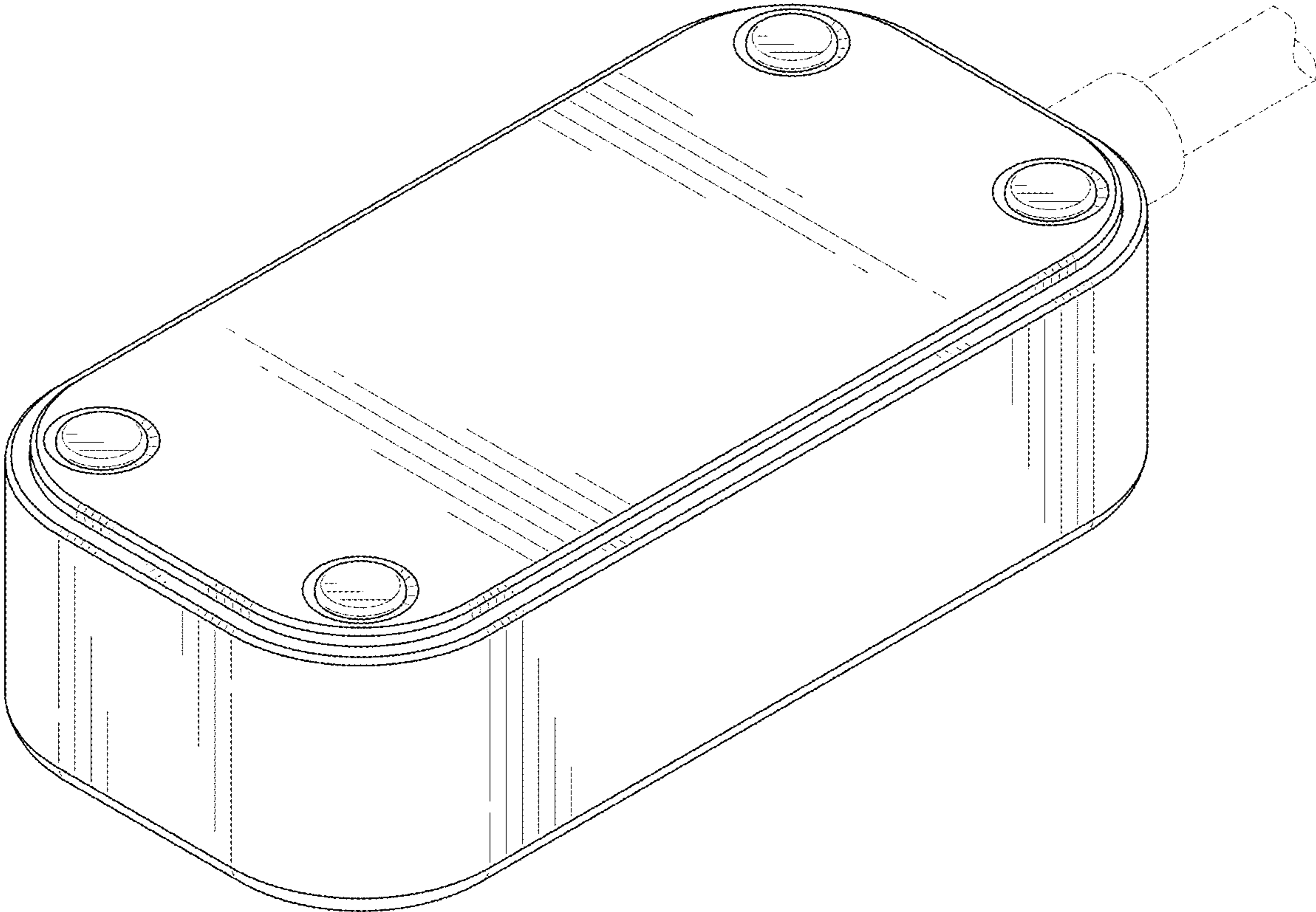


FIG. 2

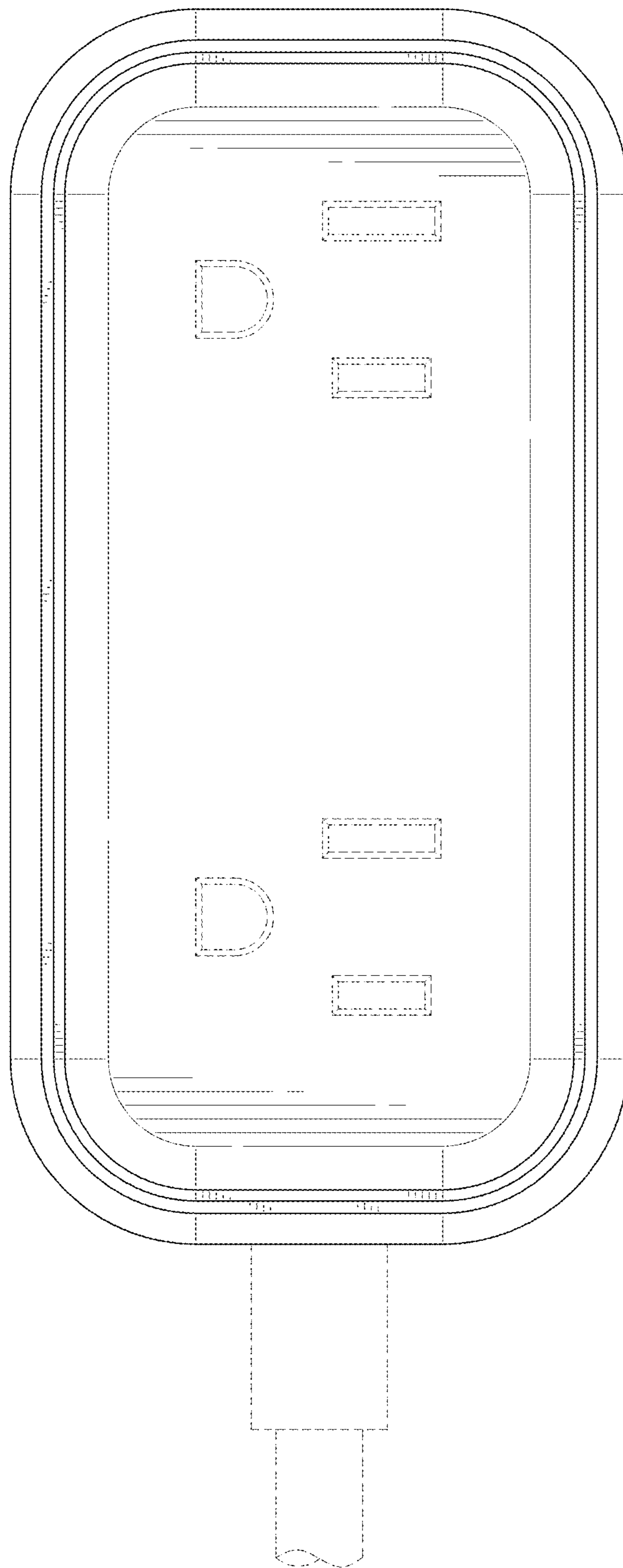


FIG. 3

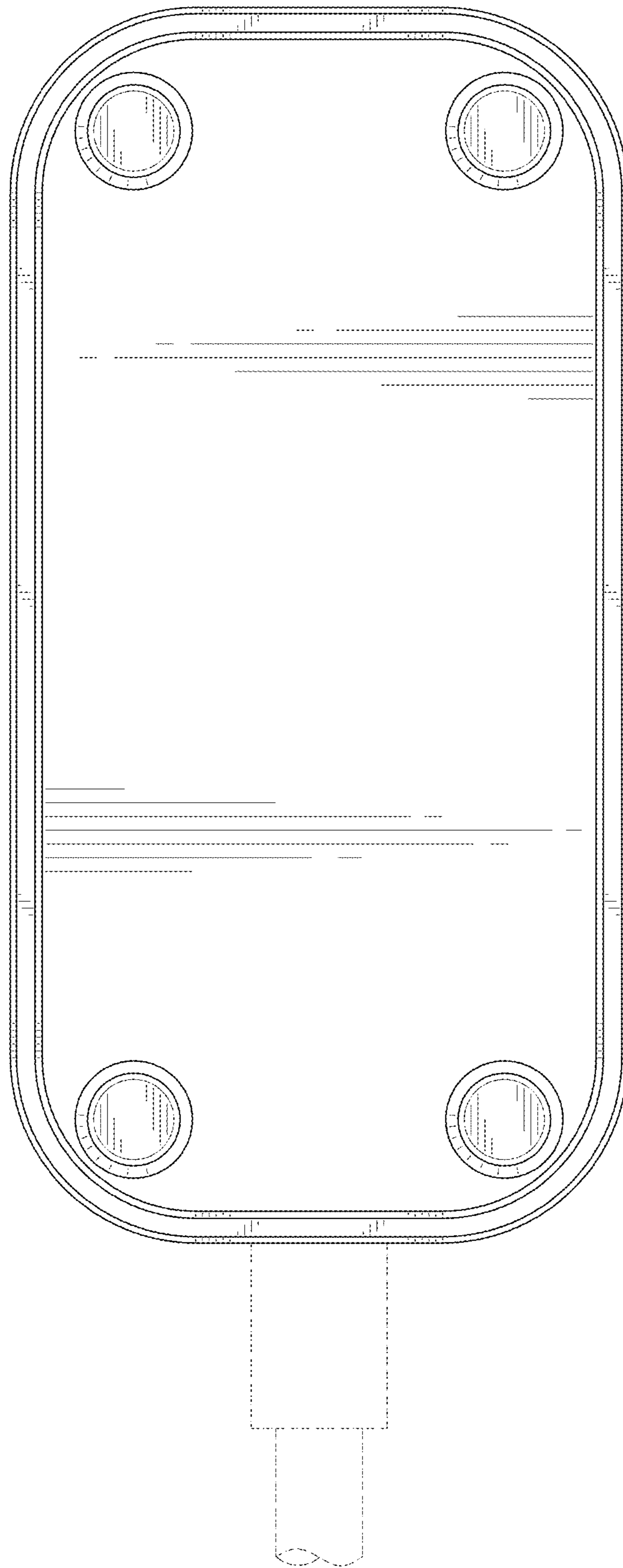


FIG. 4

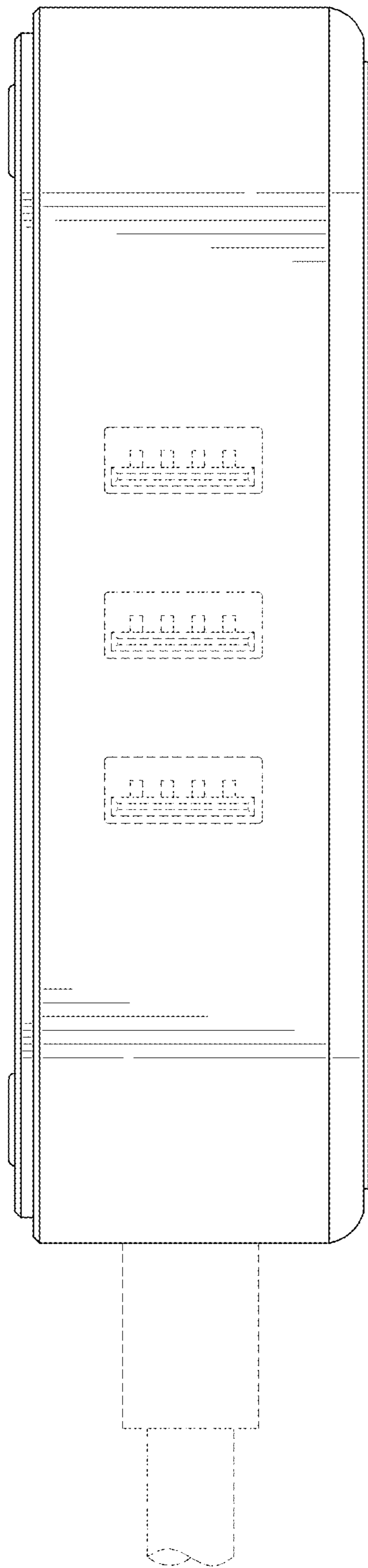


FIG. 5

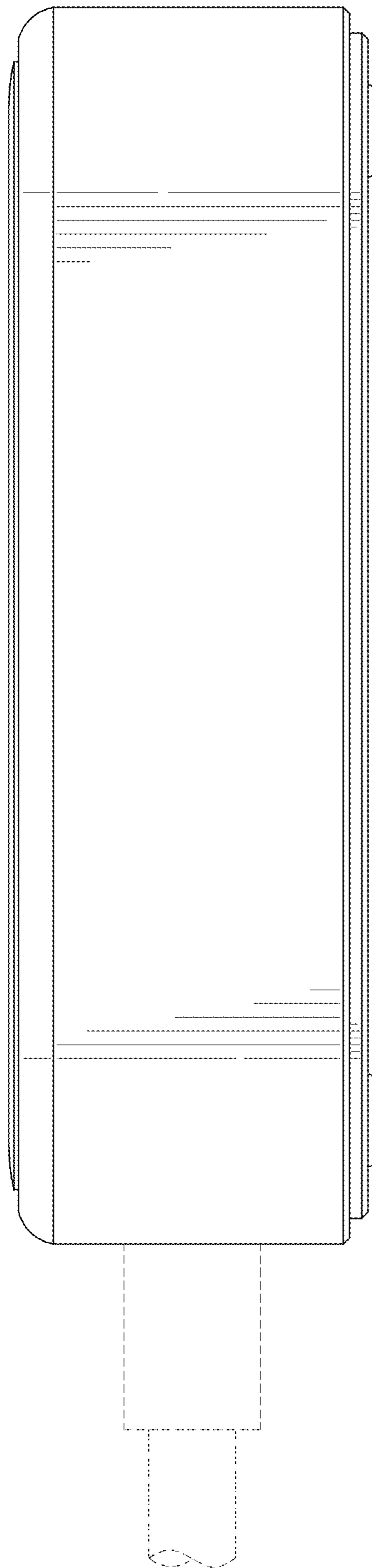


FIG. 6

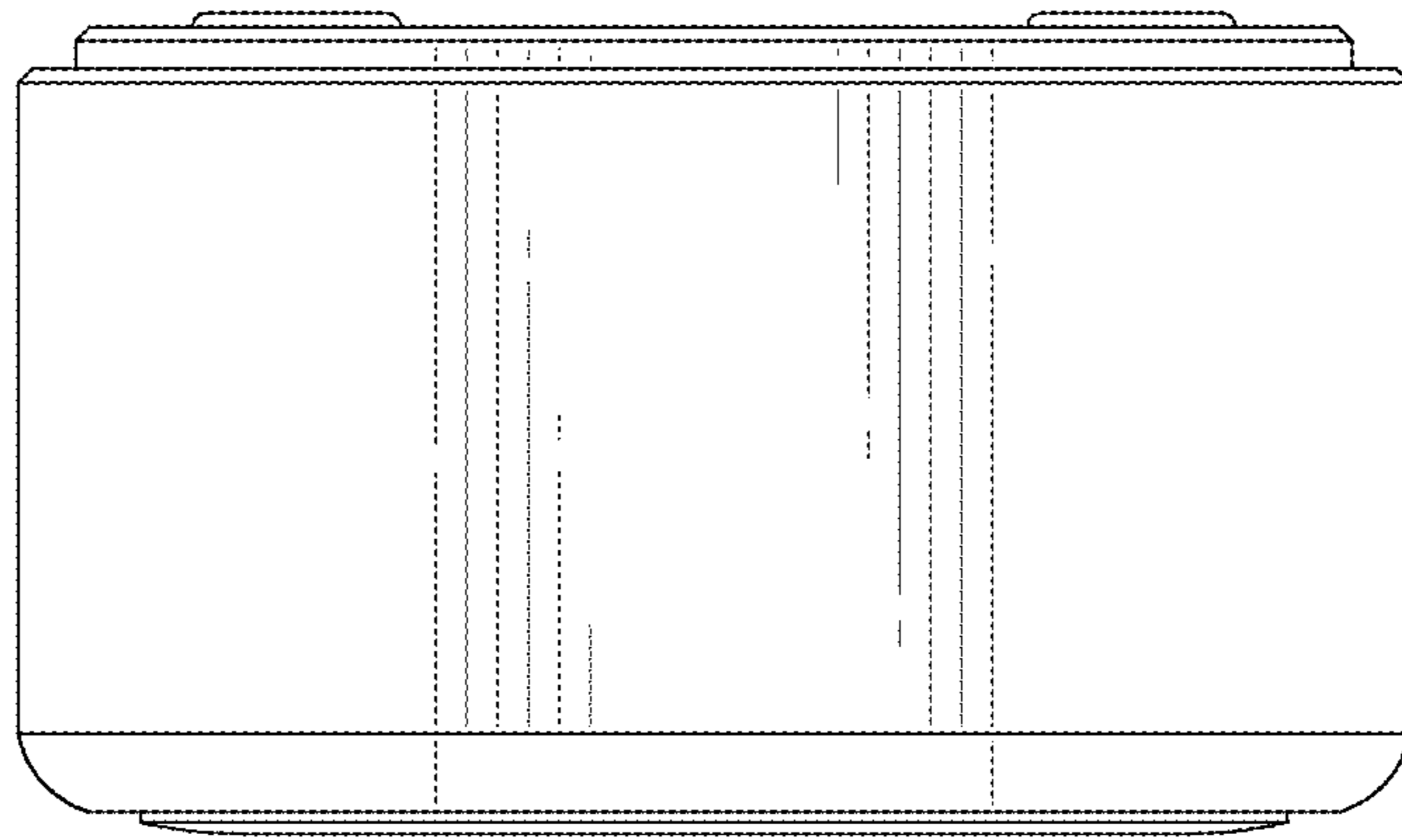


FIG. 7

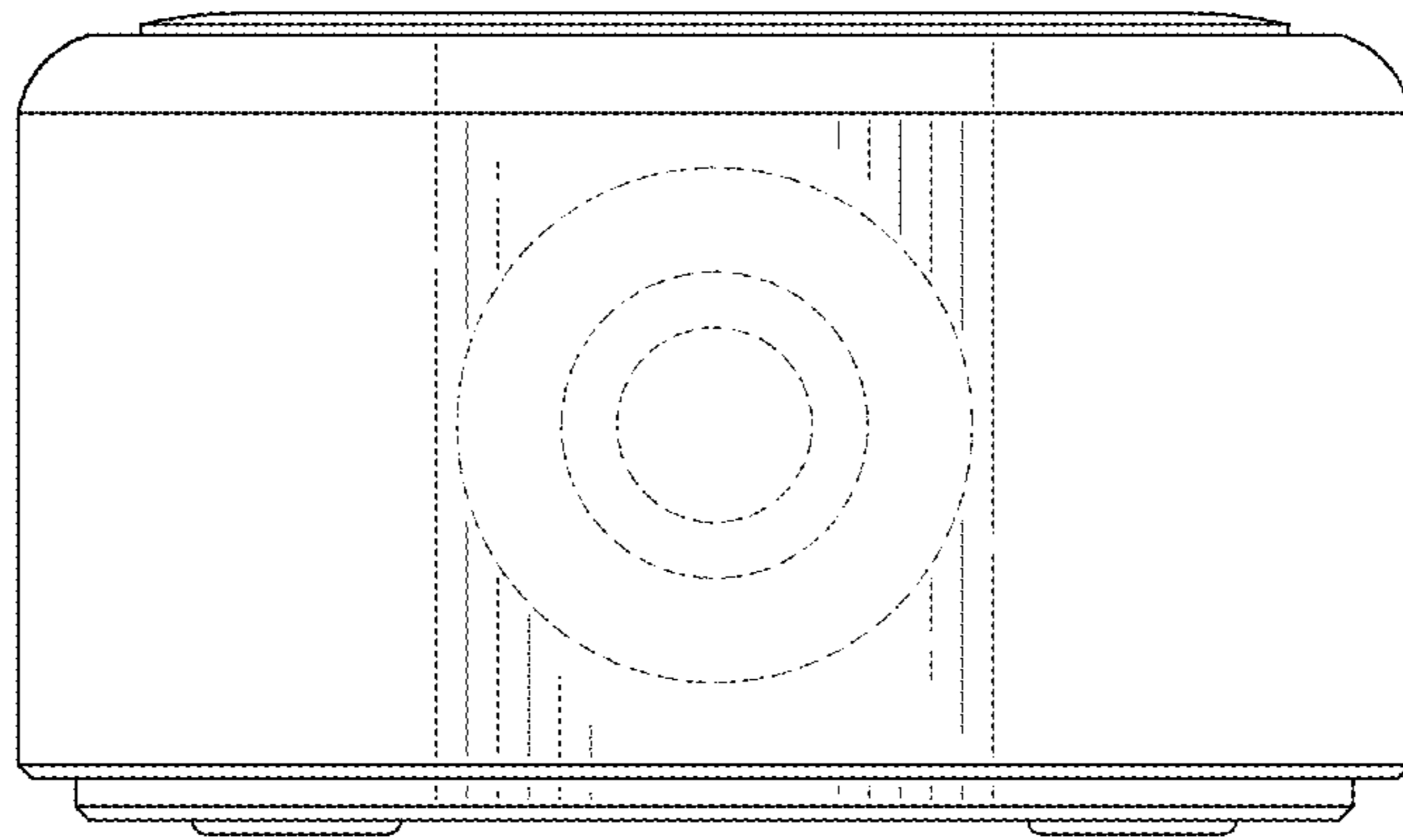


FIG. 8