



US00D878299S

(12) **United States Design Patent** (10) **Patent No.:** **US D878,299 S**  
**Lyu** (45) **Date of Patent:** **\*\* Mar. 17, 2020**

(54) **POWER STRIP**

(71) Applicant: **Zhuhai lihe Technology Co., Ltd,**  
**Zhuhai (CN)**

(72) Inventor: **Shaopeng Lyu, Shantou (CN)**

(\*\*) Term: **15 Years**

(21) Appl. No.: **29/707,580**

(22) Filed: **Sep. 30, 2019**

(51) **LOC (12) Cl.** ..... **13-03**

(52) **U.S. Cl.**  
USPC ..... **D13/139.8**

(58) **Field of Classification Search**  
USPC ... D13/139.1–139.8, 137.1–137.4, 153, 147,  
D13/133, 154, 152, 171, 107; D14/433,  
D14/432; D10/106.1, 40  
CPC .. H01R 25/006; H01R 13/5841; H02J 7/0004  
See application file for complete search history.

(56) **References Cited**

**U.S. PATENT DOCUMENTS**

D399,488 S *	10/1998	Williams	.....	D13/139.7
D533,846 S *	12/2006	Burton	.....	D13/171
D621,782 S *	8/2010	Chang	.....	D13/138.1
D631,765 S *	2/2011	Qian	.....	D10/40
D665,354 S *	8/2012	Chen	.....	D13/138.1
D695,693 S *	12/2013	Lee	.....	D13/152
D702,239 S *	4/2014	Lee	.....	D14/432
D734,253 S *	7/2015	Tinaphong	.....	H02J 7/0004 D13/108
D753,063 S *	4/2016	Gelonese	.....	D13/137.2
9,350,113 B2 *	5/2016	Garner	.....	H01R 13/5841

D773,991 S *	12/2016	Liu	.....	D13/107
D776,056 S *	1/2017	Block	.....	D13/137.2
D786,797 S	5/2017	Hsu		
D816,039 S	4/2018	Lu		
D820,212 S *	6/2018	Stern	.....	D13/137.2
D821,328 S *	6/2018	Byrne	.....	D13/139.4
10,340,645 B2 *	7/2019	Wu	.....	H01R 25/006
D858,448 S	9/2019	Zhou		
D859,195 S *	9/2019	Kristensson	.....	D10/106.1
D864,206 S *	10/2019	Wang	.....	D14/433
D867,998 S *	11/2019	Gorretta	.....	D13/139.8

\* cited by examiner

*Primary Examiner* — Rhea Shields  
(74) *Attorney, Agent, or Firm* — HYIP

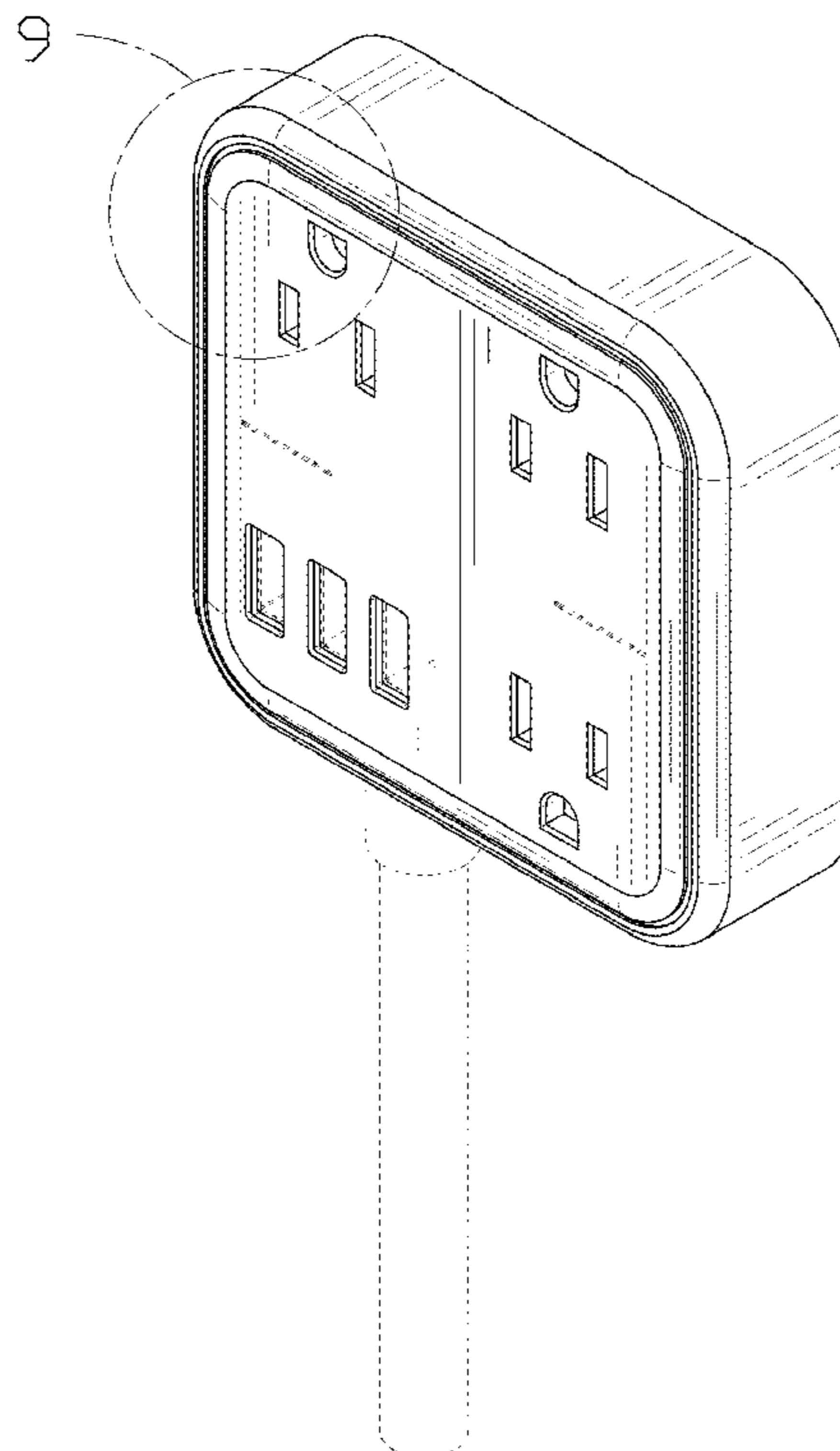
(57) **CLAIM**

The ornamental design for a power strip, as shown and described.

**DESCRIPTION**

FIG. 1 is a first perspective view of a power strip showing my new design;  
FIG. 2 is a second perspective view thereof;  
FIG. 3 is a front view thereof;  
FIG. 4 is a back view thereof;  
FIG. 5 is a left side view thereof;  
FIG. 6 is a right side view thereof;  
FIG. 7 is a top view thereof;  
FIG. 8 is a bottom view thereof; and,  
FIG. 9 is an enlarged view of the selected portion in FIG. 1.  
The broken lines shown in the drawings depict portions of the power strip in which the design is embodied that form no part of the claimed design.

**1 Claim, 9 Drawing Sheets**



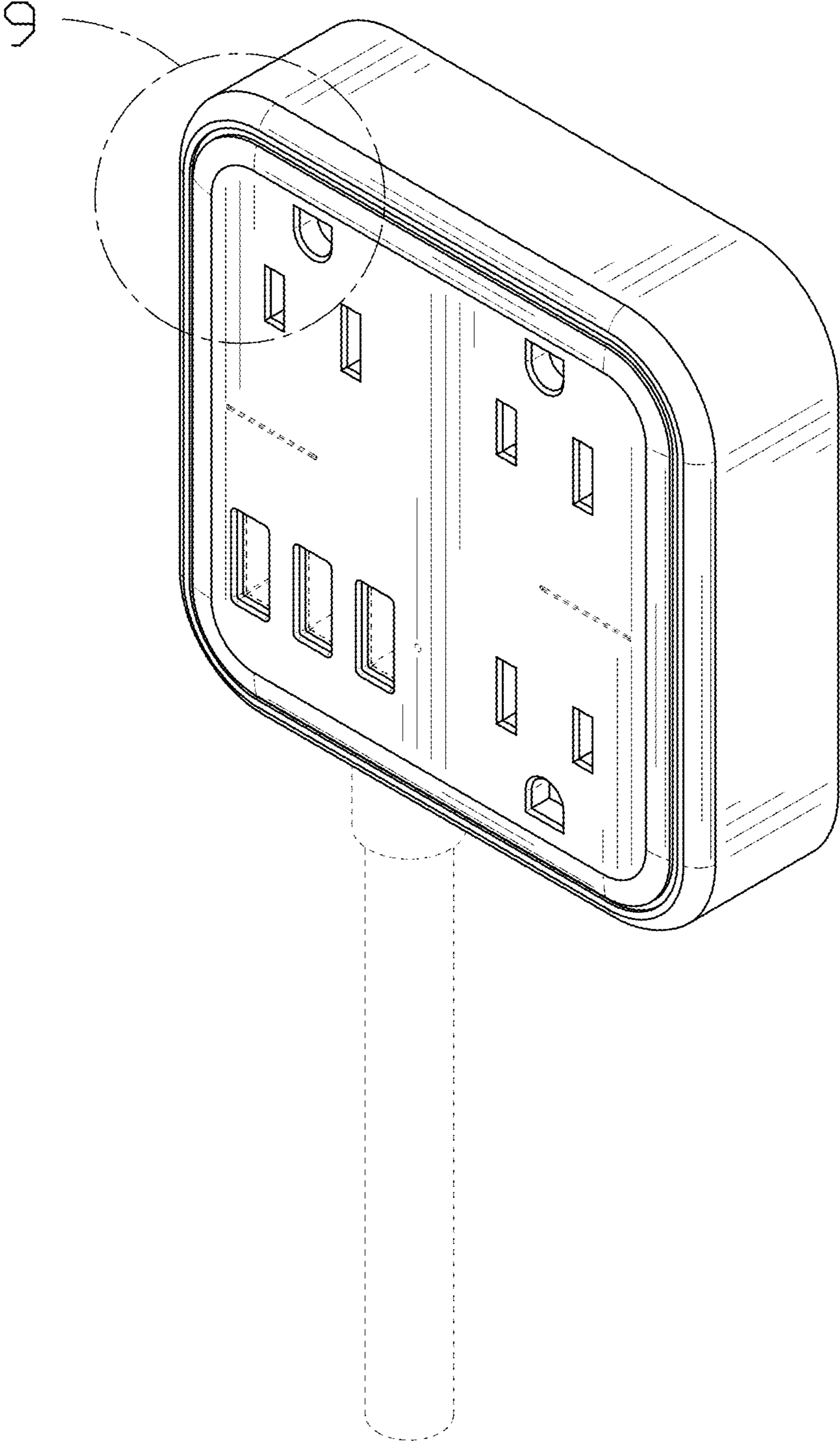


FIG. 1

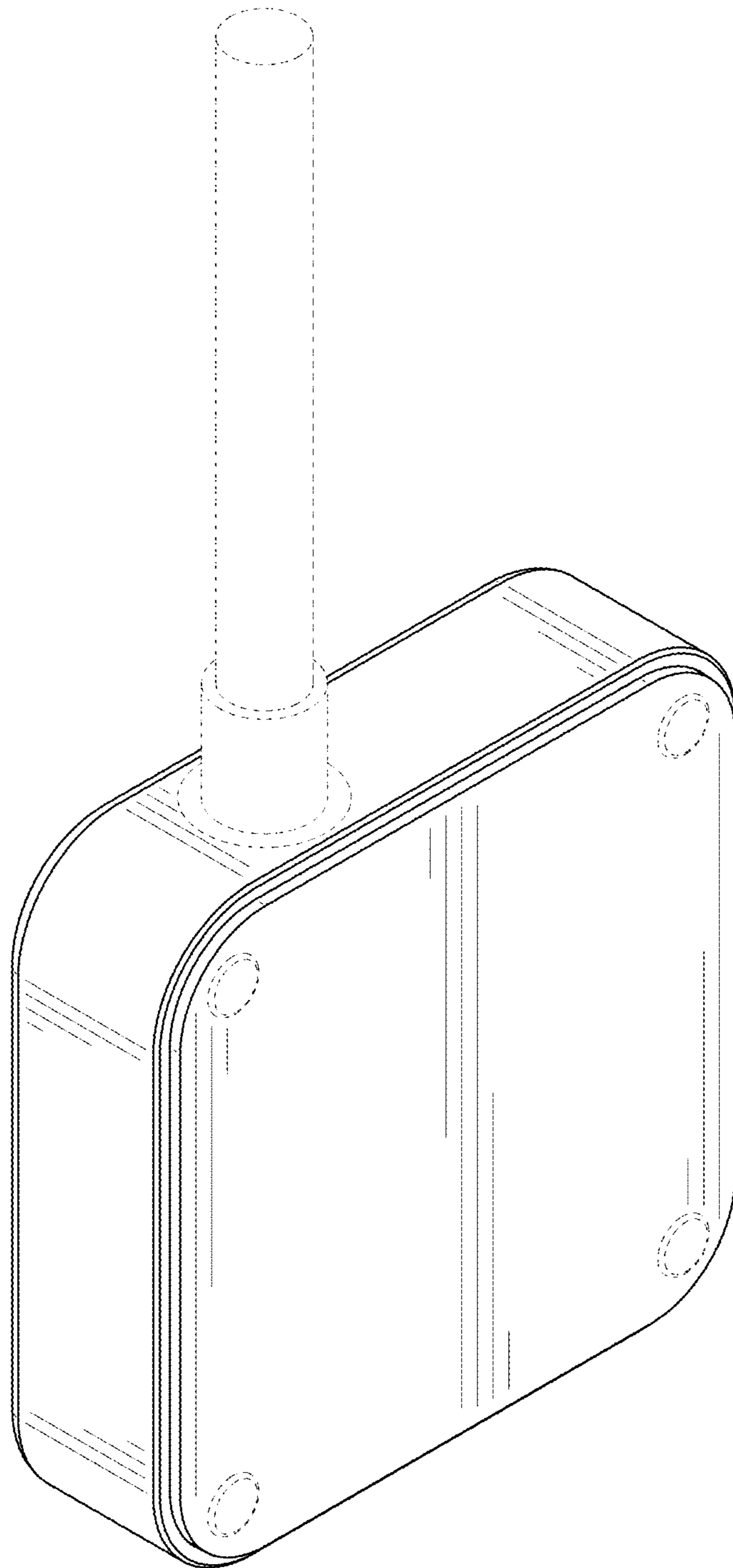


FIG. 2

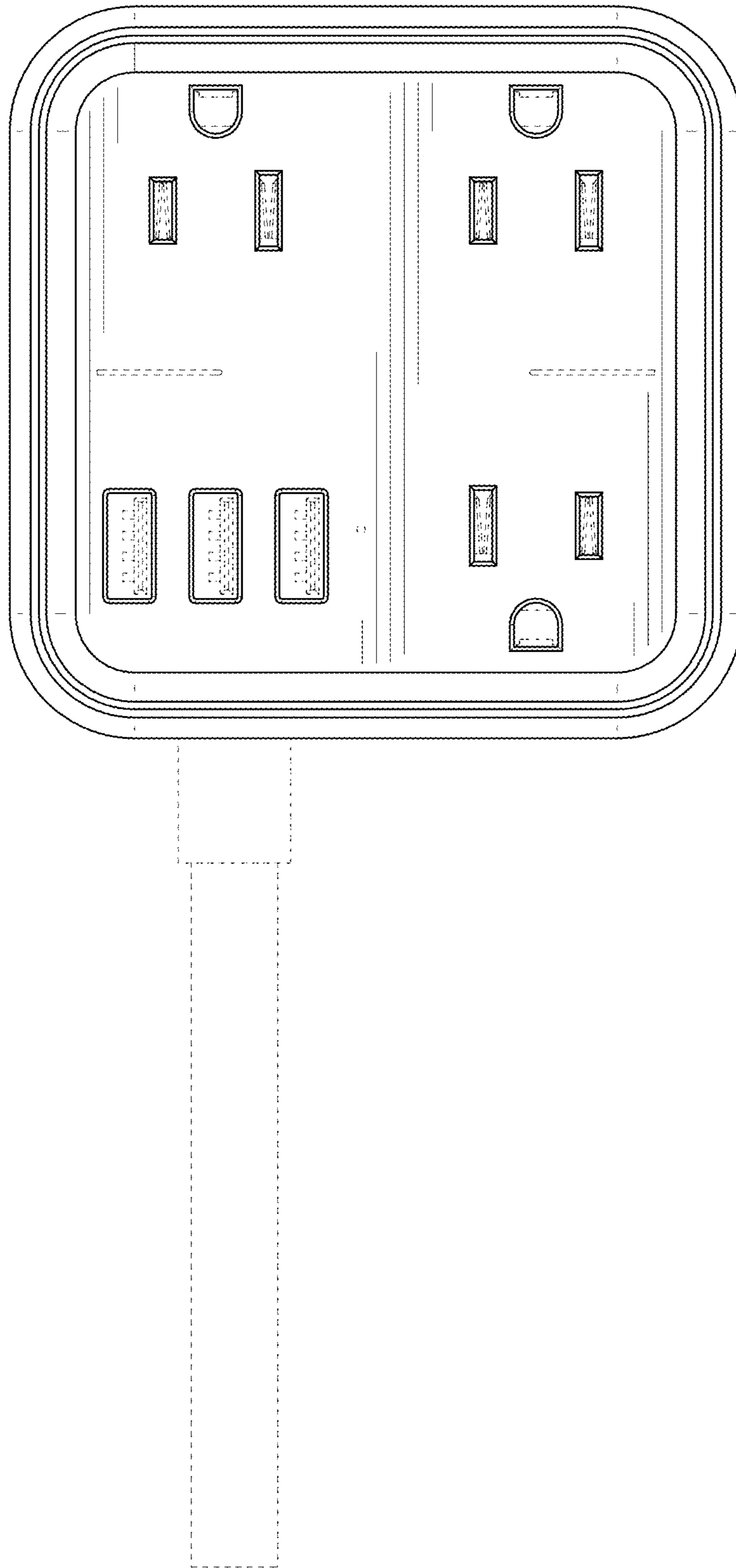


FIG. 3

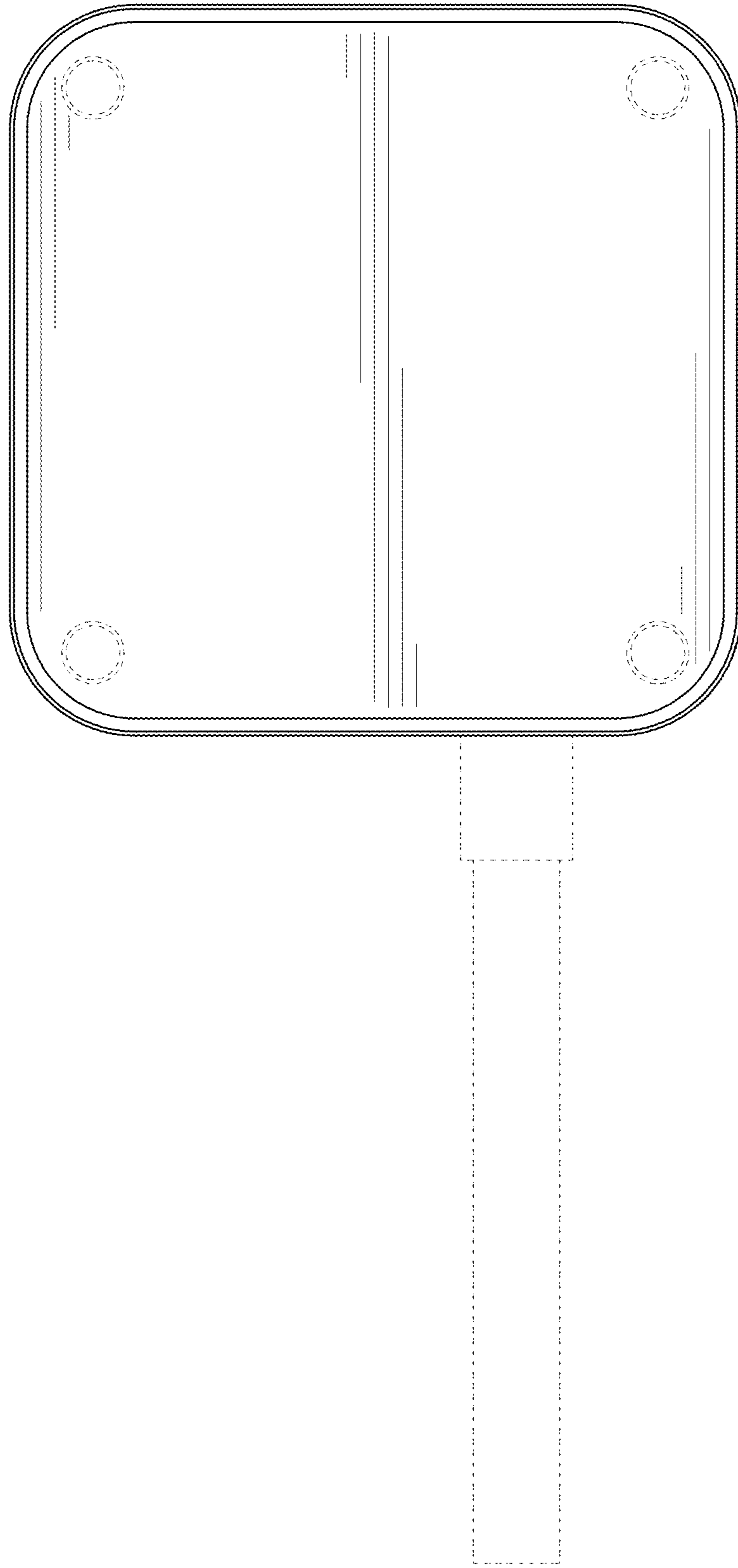


FIG. 4

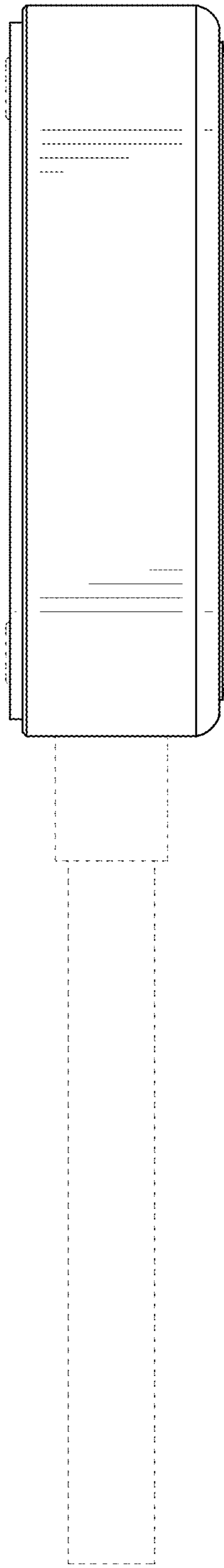


FIG. 5

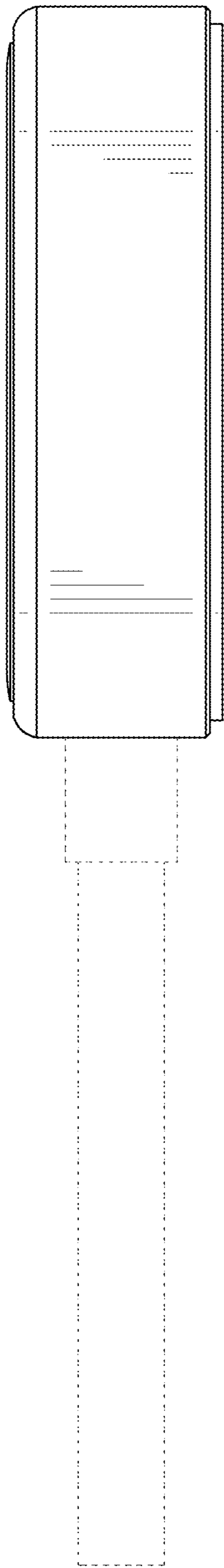


FIG. 6

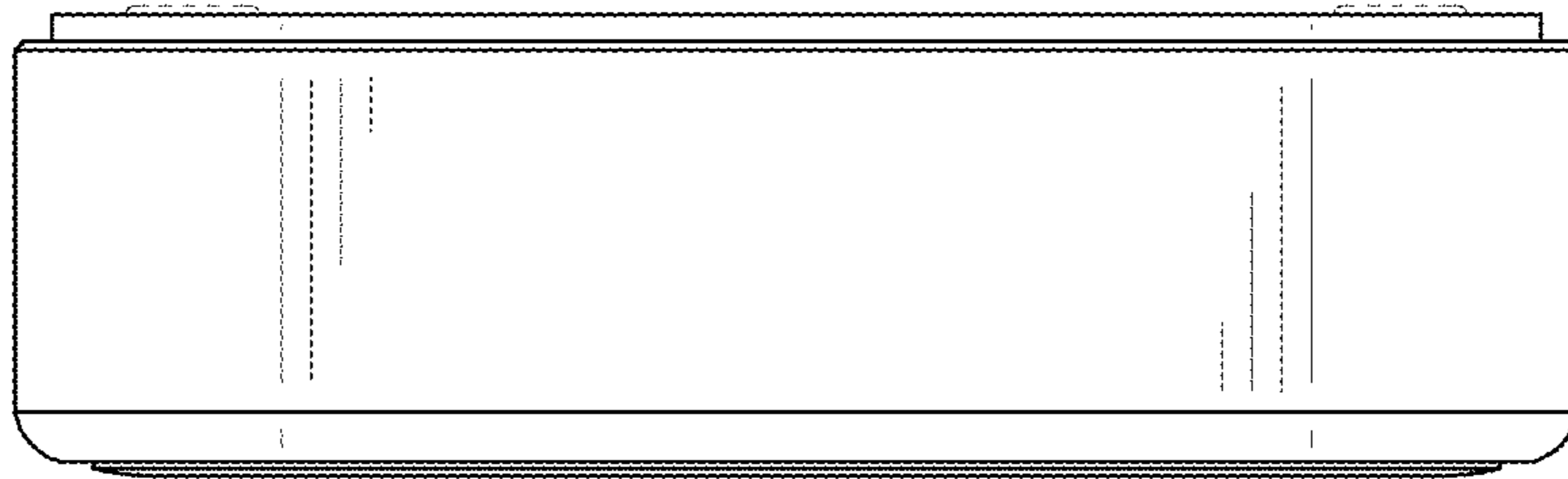


FIG. 7



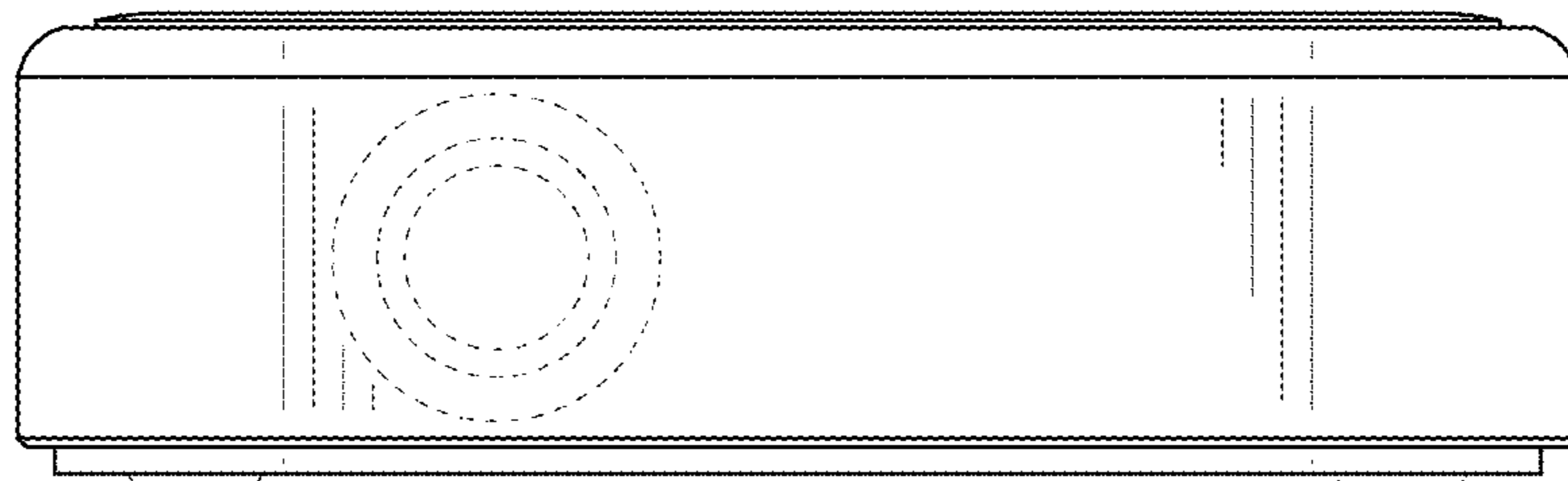


FIG. 8

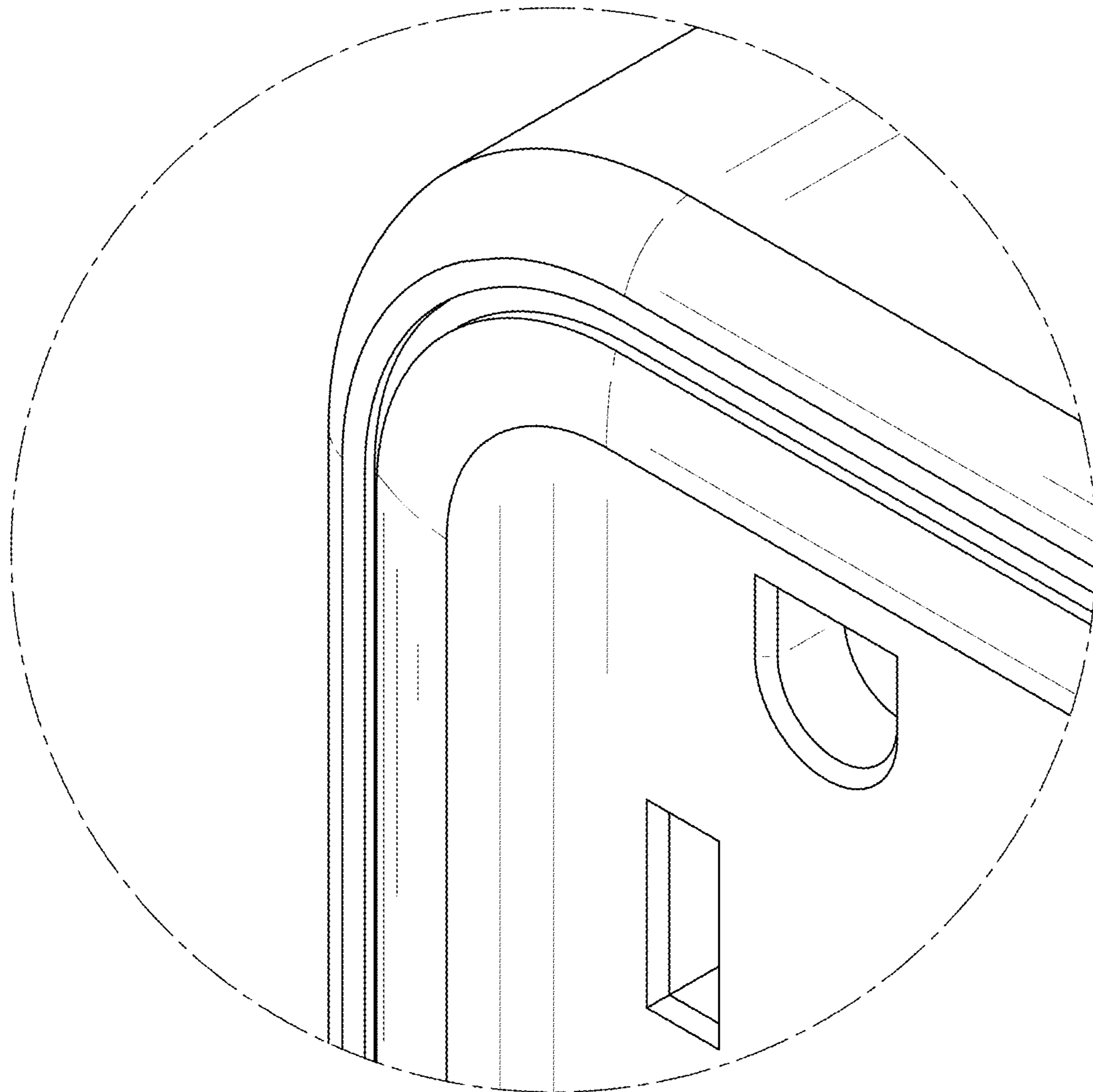


FIG. 9