



US00D878297S

(12) **United States Design Patent**
Holloway

(10) **Patent No.:** **US D878,297 S**
(45) **Date of Patent:** **** Mar. 17, 2020**

(54) **ELECTRICAL CONNECTOR HOUSING**

(71) Applicant: **ATL Technology, LLC**, Springville, UT (US)

(72) Inventor: **John Carl Holloway**, Lehi, UT (US)

(73) Assignee: **ATL TECHNOLOGY, LLC**, Springville, UT (US)

(**) Term: **15 Years**

(21) Appl. No.: **29/617,161**

(22) Filed: **Sep. 12, 2017**

(51) **LOC (12) Cl.** **13-03**

(52) **U.S. Cl.**
USPC **D13/133**

(58) **Field of Classification Search**
USPC D13/133, 154, 146, 147
CPC . F16L 19/00; F16L 25/00; F16L 29/00; F16L 33/00; F16L 37/00; F16L 55/00; H01R 4/00; H01R 9/08; H01R 12/00; H01R 13/44; H01R 13/52; H01R 13/62; H01R 13/625; H01R 13/639; H01R 25/00; H01R 27/00

See application file for complete search history.

(56) **References Cited**

U.S. PATENT DOCUMENTS

D332,936 S *	2/1993	Lawrence	D13/112
D356,296 S *	3/1995	Chapman	D13/146
D462,662 S *	9/2002	Lindekugel	D13/146
D596,127 S *	7/2009	Nania	D13/147
D616,825 S *	6/2010	Nania	D13/133
7,938,670 B2 *	5/2011	Nania	H01R 13/6599 439/354
D813,821 S *	3/2018	Corona	D13/147
D813,822 S *	3/2018	Corona	D13/147

D816,040 S *	4/2018	Corona	D13/146
D818,964 S *	5/2018	Corona	D13/146
D824,856 S *	8/2018	Corona	D13/146
D824,862 S *	8/2018	Corona	D13/149
D847,747 S *	5/2019	Rasmussen	D13/133

FOREIGN PATENT DOCUMENTS

CN	304857566	*	10/2018
GB	6029790	*	3/2018

* cited by examiner

Primary Examiner — Bridget L Eland

(74) *Attorney, Agent, or Firm* — Kunzler Bean & Adamson

(57) **CLAIM**

The ornamental design for an electrical connector housing, as shown and described.

DESCRIPTION

FIG. 1 is a perspective view of the electrical connector housing;

FIG. 2 is a top view of the electrical connector housing;

FIG. 3 is a bottom view of the electrical connector housing;

FIG. 4 is a front view of the electrical connector housing;

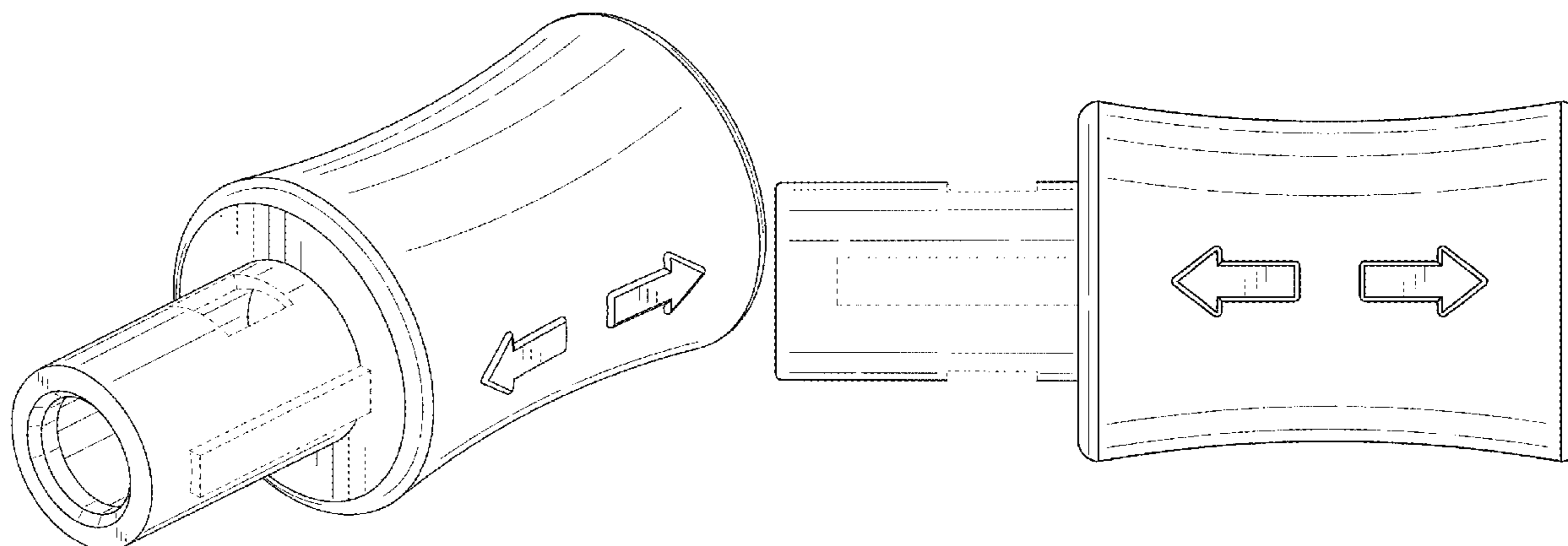
FIG. 5 is a rear view of the electrical connector housing;

FIG. 6 is a left side view of the electrical connector housing; and,

FIG. 7 is a right side view of the electrical connector housing.

The broken lines shown in the views are included for the purpose of illustrating portions of the electrical connector housing that form no part of the claimed design.

1 Claim, 4 Drawing Sheets



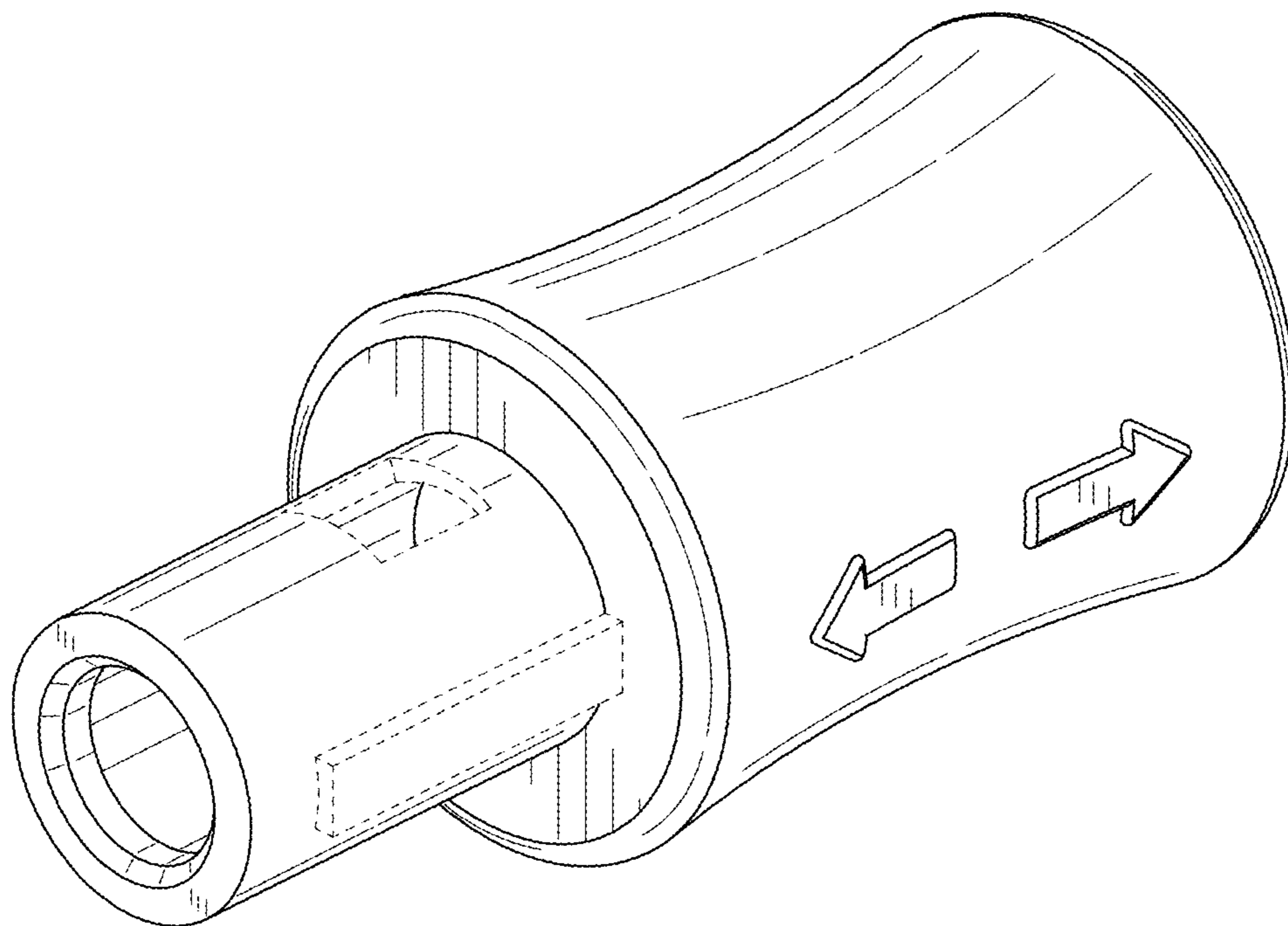


FIG. 1

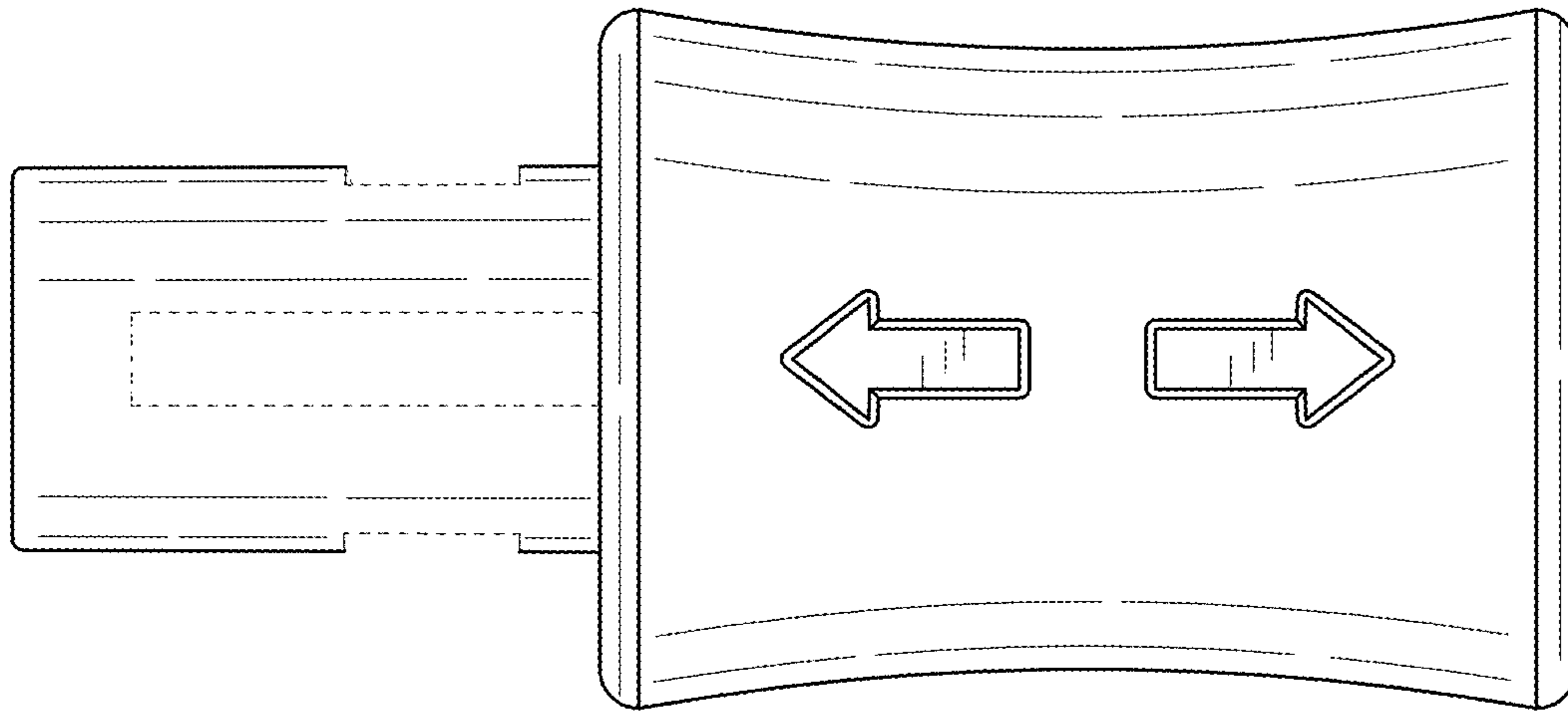


FIG. 2

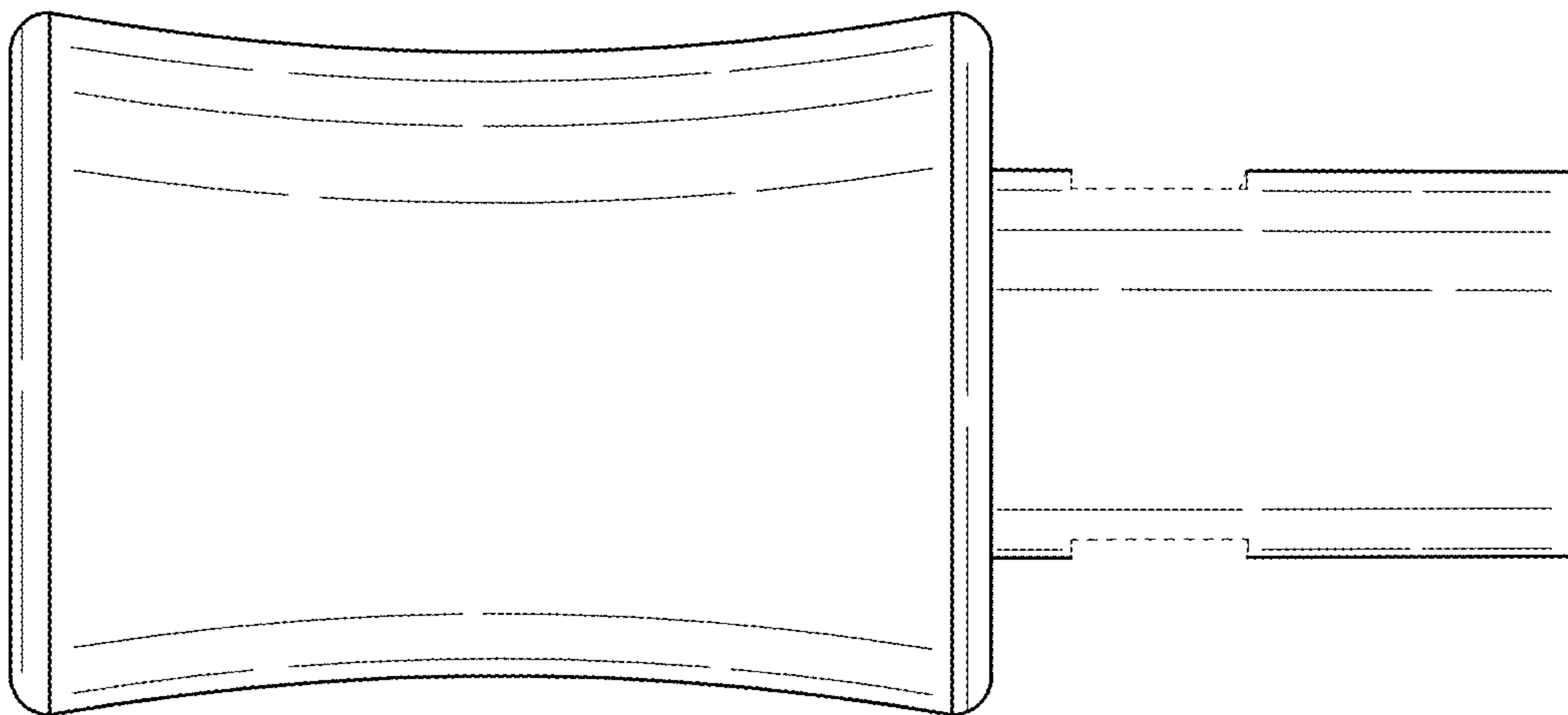


FIG. 3

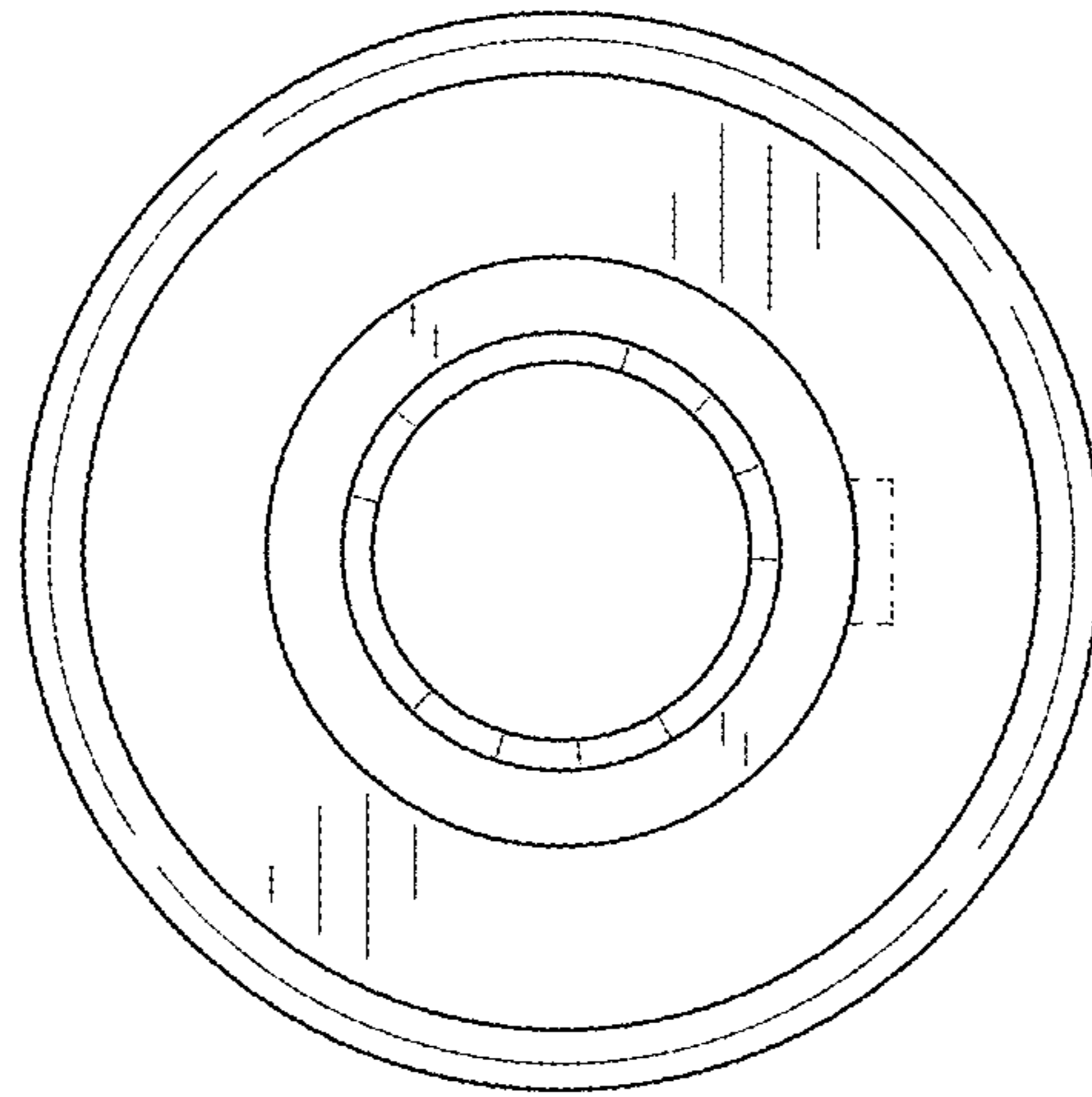


FIG. 4

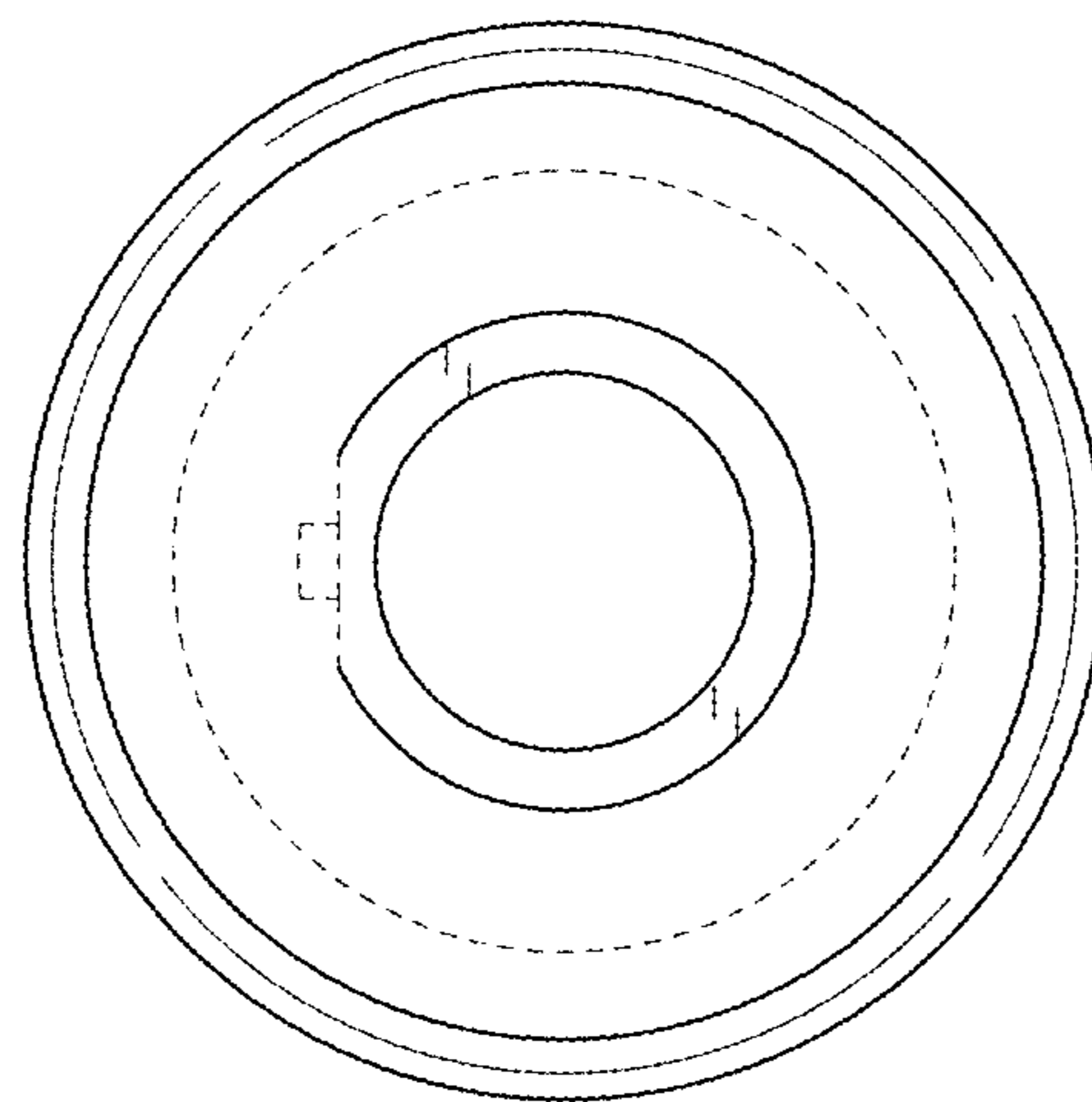


FIG. 5

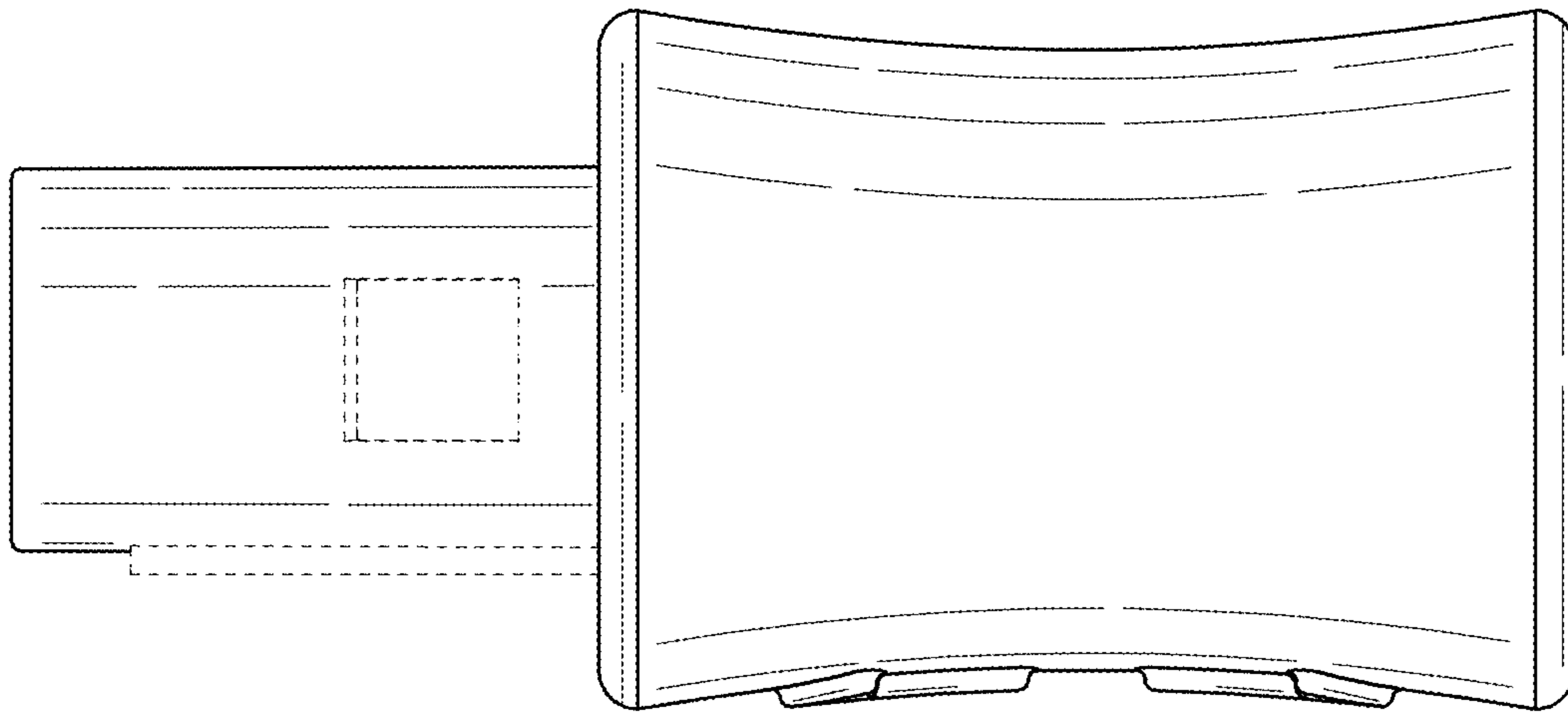


FIG. 6

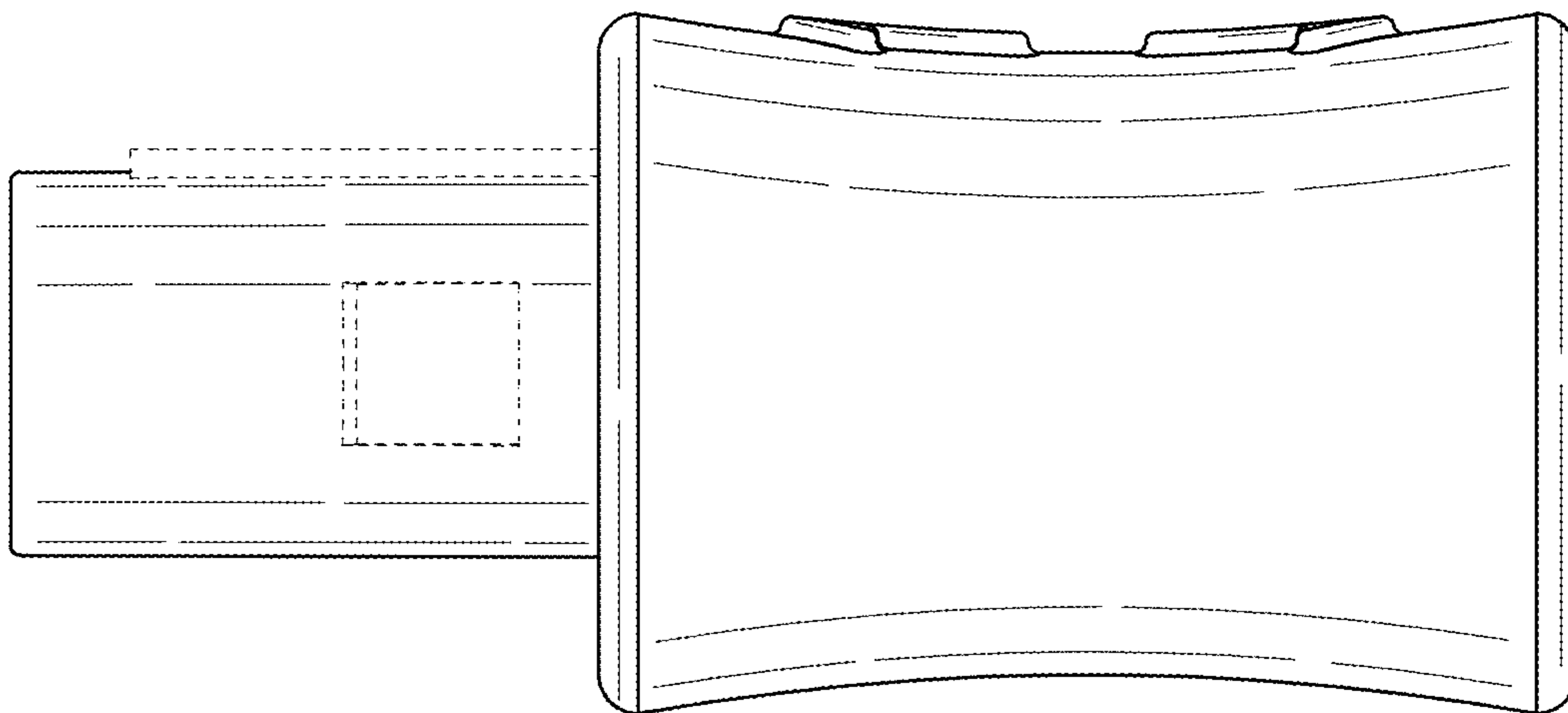


FIG. 7