



US00D878294S

(12) **United States Design Patent**
Christensen et al.

(10) **Patent No.:** **US D878,294 S**

(45) **Date of Patent:** **** *Mar. 17, 2020**

(54) **BATTERY HOLD-DOWN APPARATUS**

(71) Applicant: **TRAXXAS LP**, McKinney, TX (US)

(72) Inventors: **Casey Christen Jens Christensen**,
McKinney, TX (US); **Otto Karl**
Allmendinger, Rowlett, TX (US)

(73) Assignee: **TRAXXAS LP**, McKinney, TX (US)

(*) Notice: This patent is subject to a terminal disclaimer.

(**) Term: **15 Years**

(21) Appl. No.: **29/540,013**

(22) Filed: **Sep. 19, 2015**

(51) **LOC (12) Cl.** **13-02**

(52) **U.S. Cl.**
USPC **D13/119**

(58) **Field of Classification Search**
USPC D13/103-106, 110, 119-121, 184, 199;
429/96-100, 163, 176; 180/68.5;
D21/533

CPC H01M 2/0222; H01M 2/1044; H01M 2/30;
H01M 2/34; H01M 2/10; H01M 2/1083;
H01M 10/00; H01M 10/0525; H01M
10/06; H01M 10/345; H01M 10/46;
H01M 10/465; H01M 8/00; B60R 16/04
See application file for complete search history.

(56) **References Cited**

U.S. PATENT DOCUMENTS

- D56,676 S * 11/1920 Norris D13/121
- D398,579 S * 9/1998 Chaco D10/128
- 6,161,810 A * 12/2000 Crow H01M 2/1083
- 6,186,256 B1 * 2/2001 Dignitti B60R 16/04
- 6,827,169 B1 * 12/2004 Van Hout B60R 16/04
- D560,713 S * 1/2008 Blaine D18/43

- 7,543,666 B2 * 6/2009 Connelly B60R 16/04
- 180/68.5
- D602,862 S * 10/2009 Reed D13/119
- D637,226 S * 5/2011 Sakuma D18/43
- D652,862 S * 1/2012 Mori D18/43
- D689,434 S * 9/2013 Tilscher D13/119
- 8,632,902 B2 * 1/2014 Wendorf H01M 2/1083
- 429/100
- D720,780 S * 1/2015 Chlystek D15/28
- D747,281 S * 1/2016 Andresen D13/199
- D763,193 S * 8/2016 Tyler D13/119
- 9,515,304 B2 * 12/2016 Koehler H01M 2/1072
- D777,216 S * 1/2017 Allemeier D15/28
- 9,543,551 B2 * 1/2017 Tanaka H01M 2/024
- D815,030 S * 4/2018 Petrella D13/102

(Continued)

Primary Examiner — Derrick E Holland

Assistant Examiner — Jennifer O King

(74) *Attorney, Agent, or Firm* — Daryl R. Wright; Greg Carr

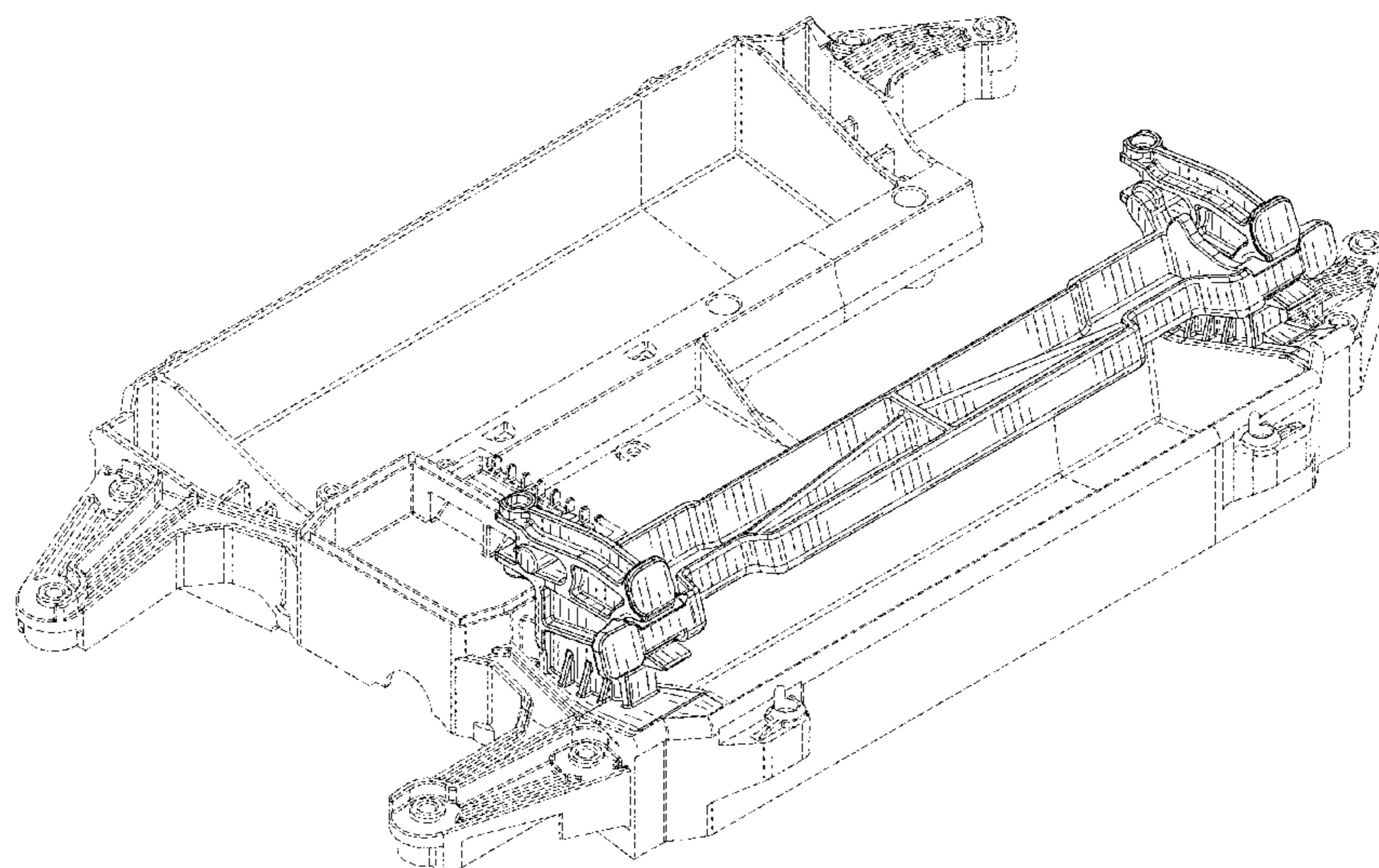
(57) **CLAIM**

We claim the ornamental design for a battery hold-down apparatus, as shown and described.

DESCRIPTION

FIG. 1 is a top, left, front perspective view of a battery hold-down apparatus;
 FIG. 2 is a top plan view thereof;
 FIG. 3 is a right side elevation view thereof;
 FIG. 4 is a front elevation view thereof;
 FIG. 5 is a rear elevation view thereof; and,
 FIG. 6 is a top, left, front perspective view of a battery hold-down apparatus, shown in use.
 The broken lines shown in FIGS. 1-6 represent portions of the battery hold-down apparatus that form no part of the claimed design. The additional broken lines shown in FIG. 6 depict environment and also form no part of the claimed design.

1 Claim, 5 Drawing Sheets



(56)

References Cited

U.S. PATENT DOCUMENTS

D821,969 S *	7/2018	Jiang	D13/103
D822,595 S *	7/2018	Hoshino	D13/104
D832,915 S *	11/2018	Gumbe	D18/43
D839,827 S *	2/2019	Stoner	D13/129

* cited by examiner

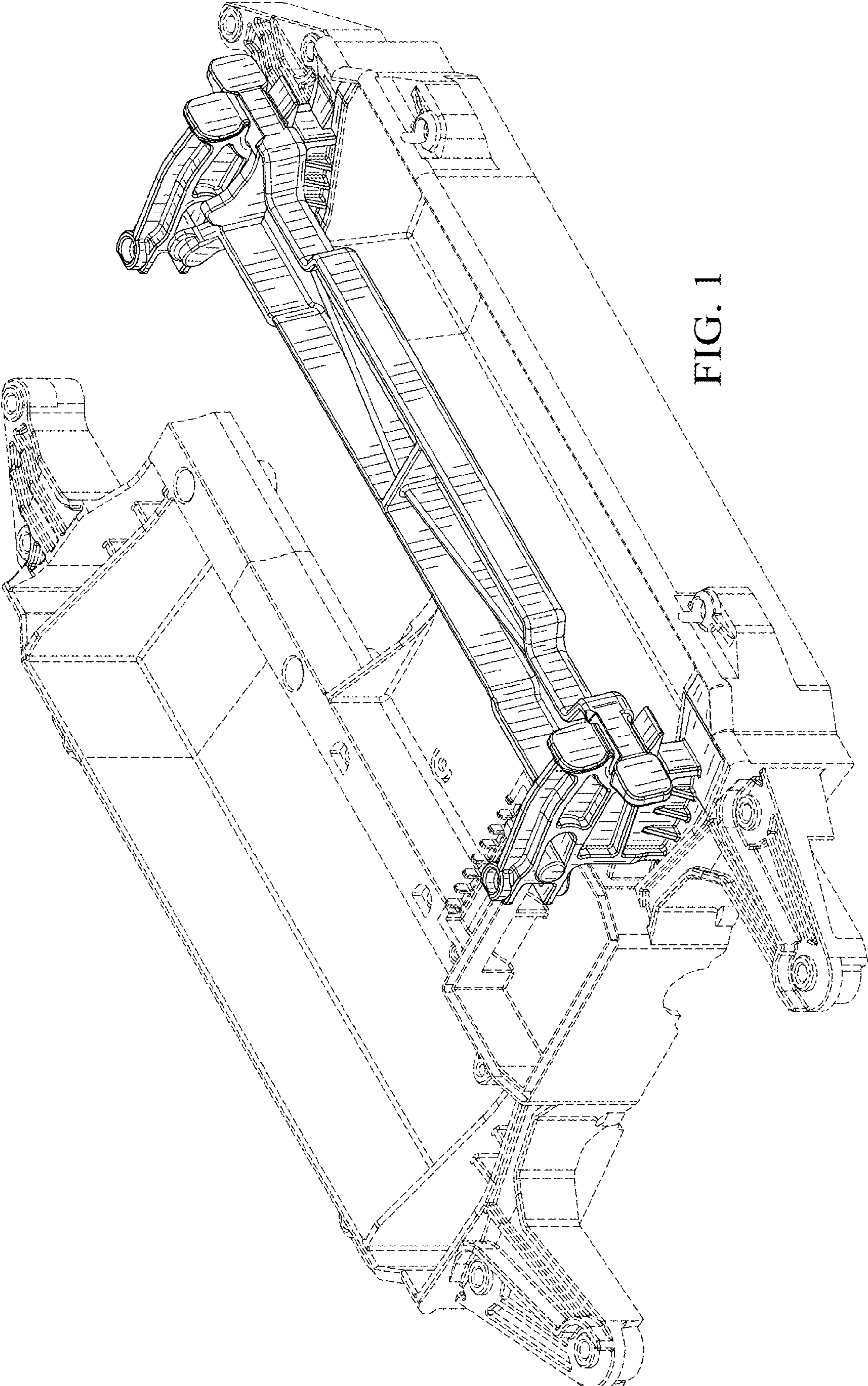


FIG. 1

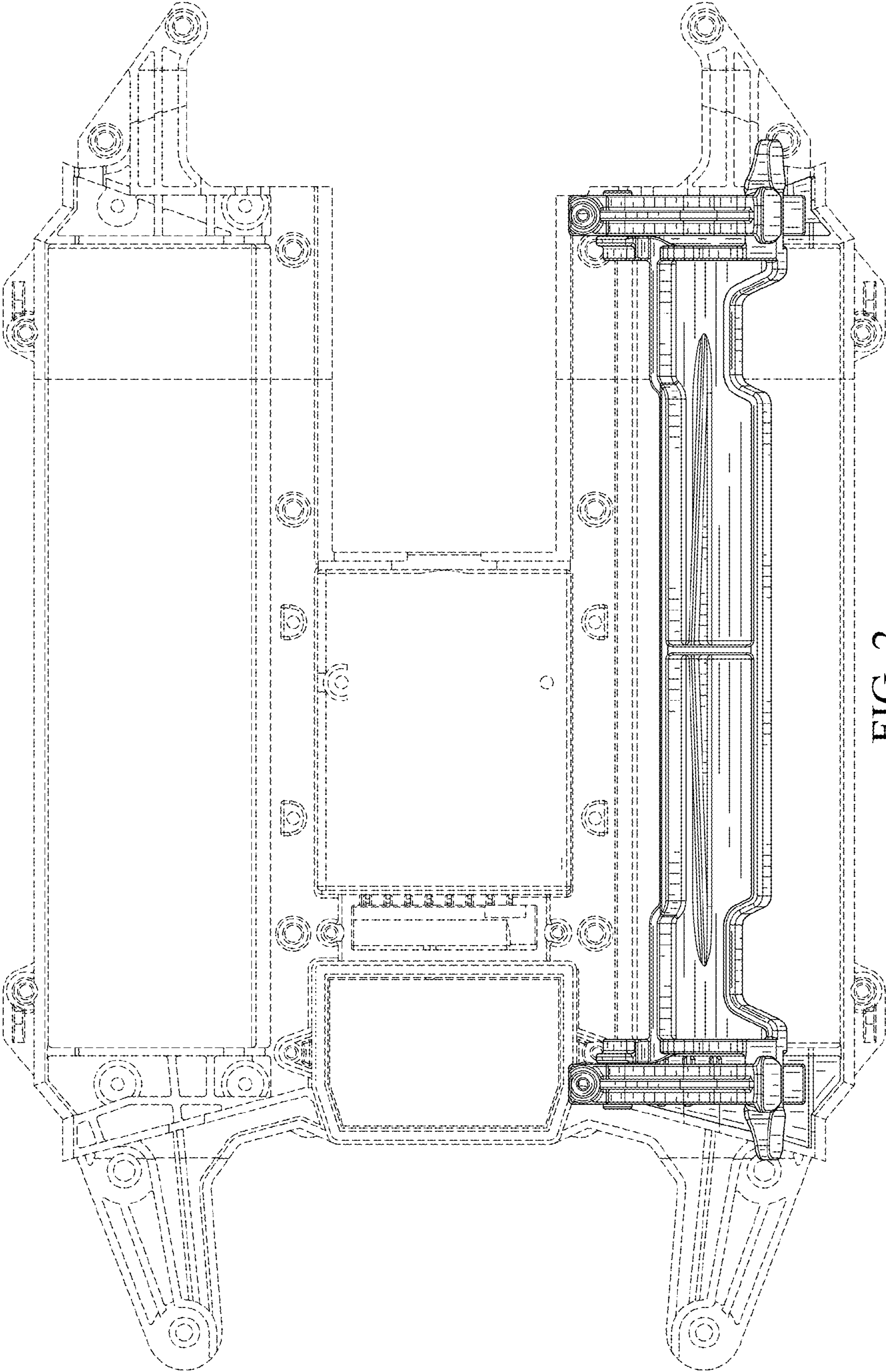


FIG. 2

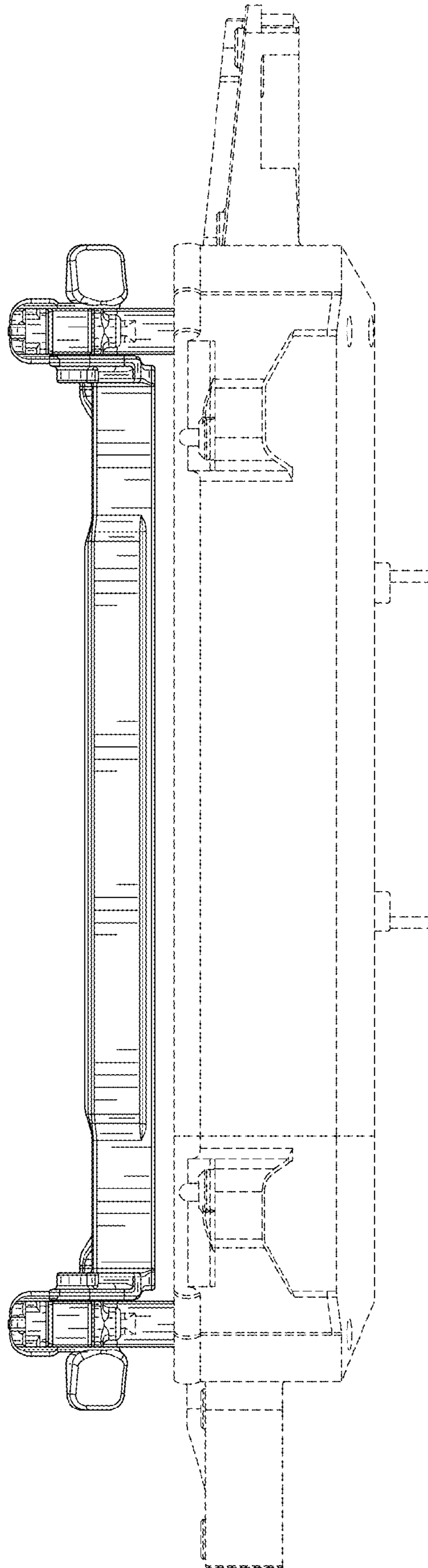


FIG. 3

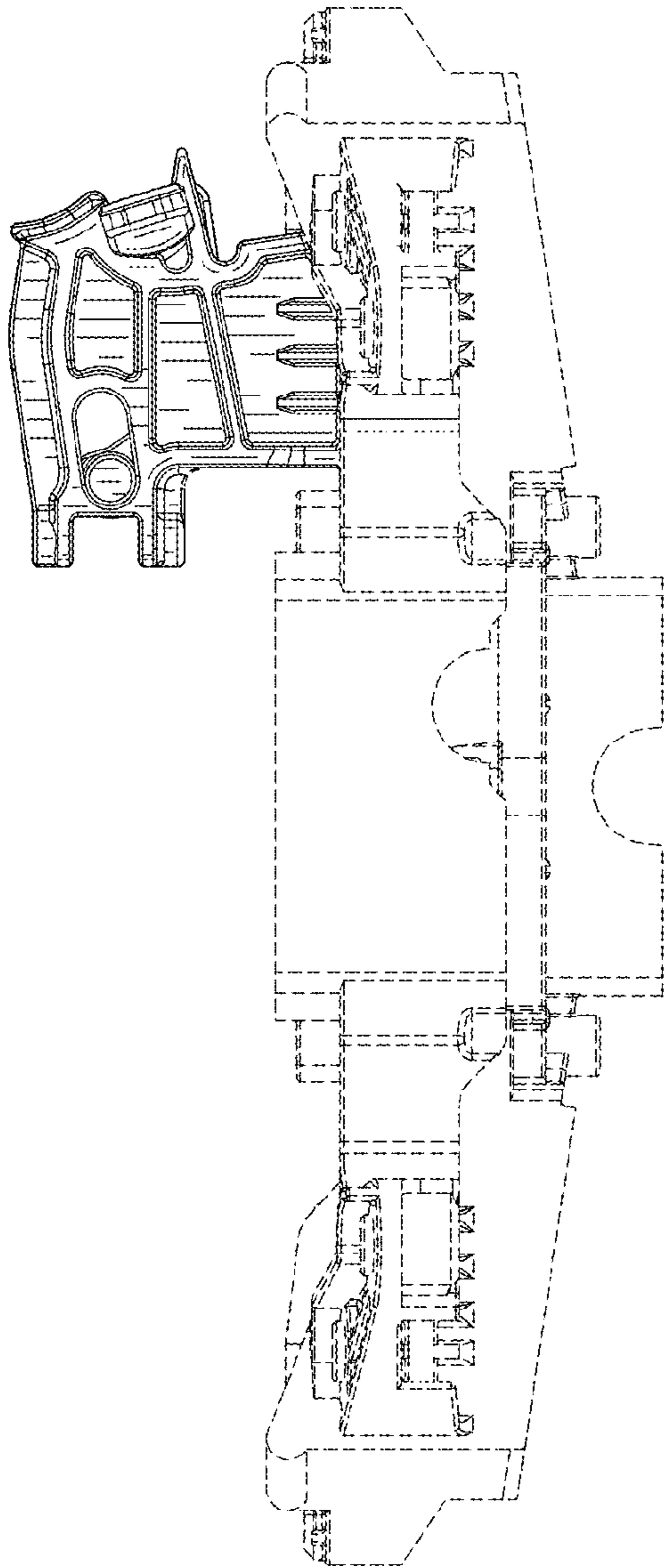


FIG. 4

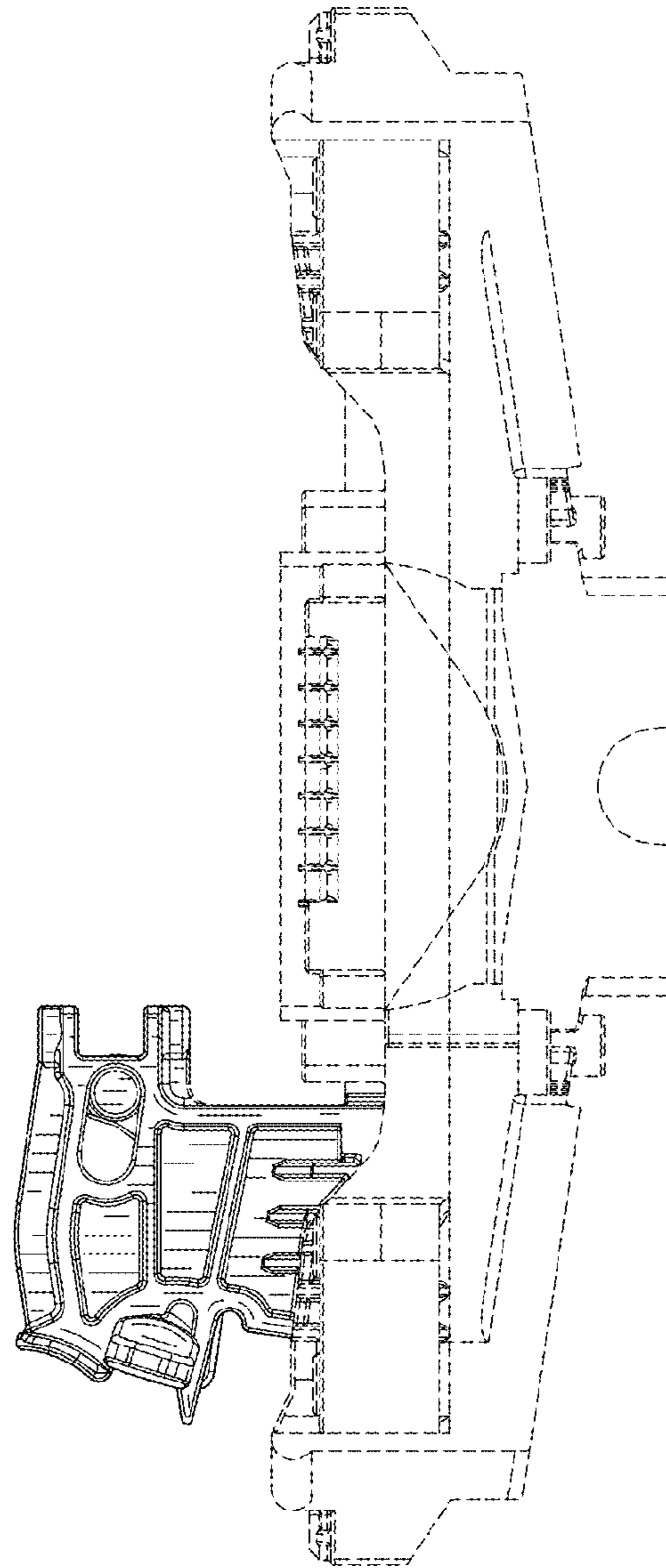


FIG. 5

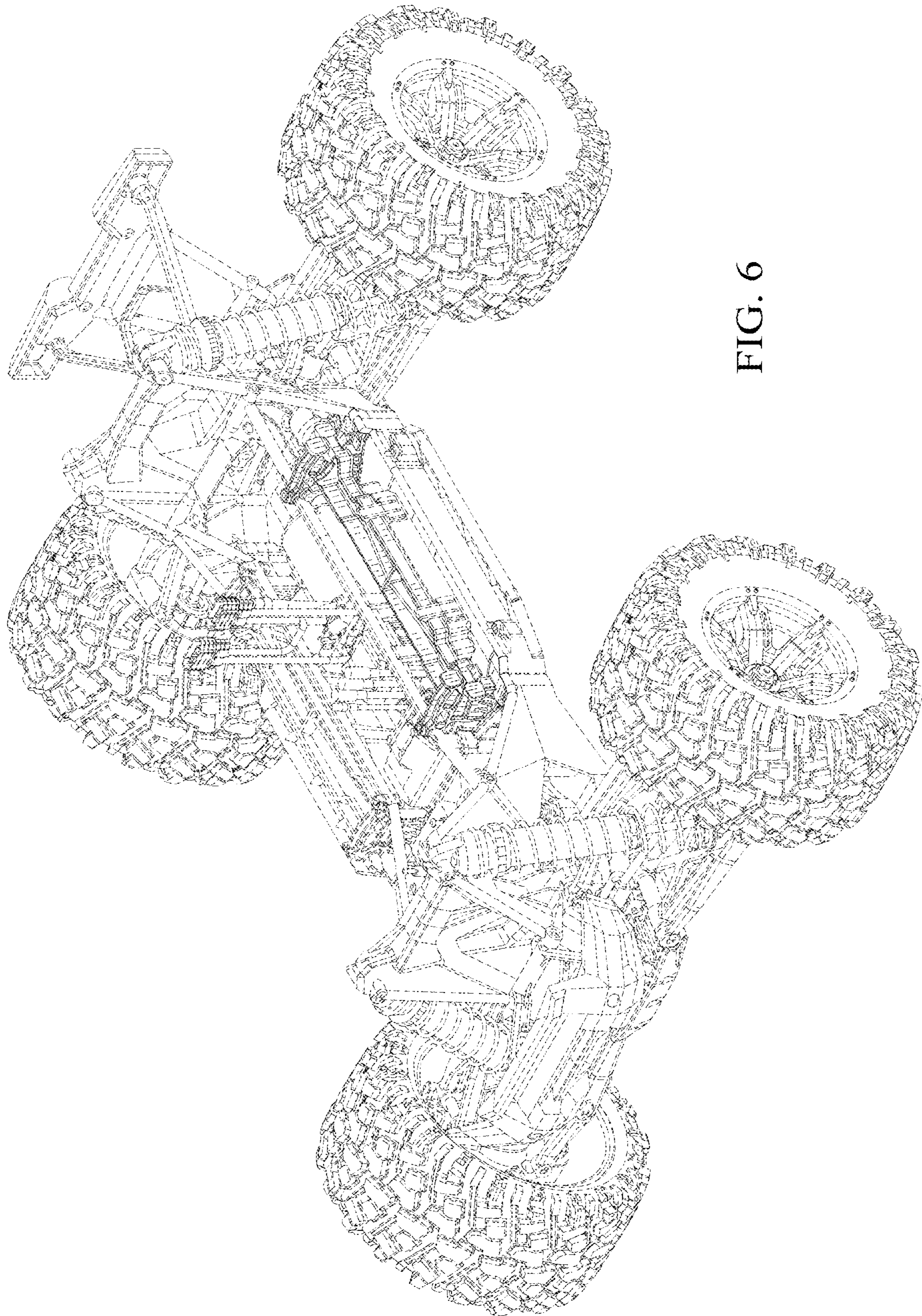


FIG. 6