



US00D878293S

(12) **United States Design Patent**
Beyerlein et al.

(10) **Patent No.:** **US D878,293 S**
(45) **Date of Patent:** **** Mar. 17, 2020**

(54) **GENERATOR**

CPC F02B 63/04; H02K 3/24; H02K 3/47
See application file for complete search history.

(71) Applicant: **Siemens Healthcare GmbH**, Erlangen (DE)

(56) **References Cited**

(72) Inventors: **Walter Beyerlein**, Bubenreuth (DE);
Andreas Daenzer, Erlangen Bruck (DE); **Johannes Gareus**, Forchheim (DE); **Tobias Grassl**, Erlangen (DE);
Robert Graetz, Erlangen (DE); **Andreas Hader**, Erlangen (DE); **Stefan Henke**, Neunkirchen A. Brand (DE);
Norbert Hoffmann, Nuremberg (DE); **Philipp Kutzer**, Herzogenaurach (DE);
Ulf Lanz, Erlangen (DE); **Thomas Luthardt**, Bamberg (DE); **Siegfried Meisel**, Fuerth (DE); **Juergen Oelschlegel**, Nuremberg (DE); **Martin Schoen**, Neumarkt (DE); **Stefan Waffler**, Buckenhof (DE); **Georg Weber**, Fuerth (DE); **Thomas Weidinger**, Erlangen (DE)

U.S. PATENT DOCUMENTS

D414,461	S	*	9/1999	Wang	D13/116
D538,742	S	*	3/2007	Pickvet	D13/110
D560,608	S	*	1/2008	Dornauer	D13/113
D562,238	S	*	2/2008	Nozaki	D13/114
D673,910	S	*	1/2013	Lostun	D13/110
D705,163	S	*	5/2014	Lauper	D13/112
D711,825	S	*	8/2014	Wilson	D13/112
D801,924	S	*	11/2017	Priem	D13/112
D839,845	S	*	2/2019	Yan	D13/162
D840,953	S	*	2/2019	Yan	D13/162

FOREIGN PATENT DOCUMENTS

CN 304443721 * 1/2018

* cited by examiner

Primary Examiner — Bridget L Eland

(74) *Attorney, Agent, or Firm* — Schiff Hardin LLP

(73) Assignee: **Siemens Healthcare GmbH**, Erlangen (DE)

(57) **CLAIM**

The ornamental design for a generator, as shown and described.

(**) Term: **15 Years**

DESCRIPTION

(21) Appl. No.: **29/607,526**

FIG. 1 is a front elevational view of a generator showing our new design;
FIG. 2 is a back elevational view thereof;
FIG. 3 is a top plan view thereof;
FIG. 4 is a bottom plan view thereof;
FIG. 5 is a right side elevational view thereof;
FIG. 6 is a left side elevational view thereof;
FIG. 7 is a front, top, left side perspective view thereof; and,
FIG. 8 is a back, top, right side perspective view thereof.
The broken lines shown in the drawings represent portions of the generator that form no part of the claimed design.

(22) Filed: **Jun. 14, 2017**

(30) **Foreign Application Priority Data**

Dec. 15, 2016 (EM) 003520329

(51) **LOC (12) Cl.** **13-01**

(52) **U.S. Cl.**
USPC **D13/112**

(58) **Field of Classification Search**
USPC D13/112, 101, 110, 113–116, 122, 184,
D13/199; D15/3, 5, 199

1 Claim, 8 Drawing Sheets

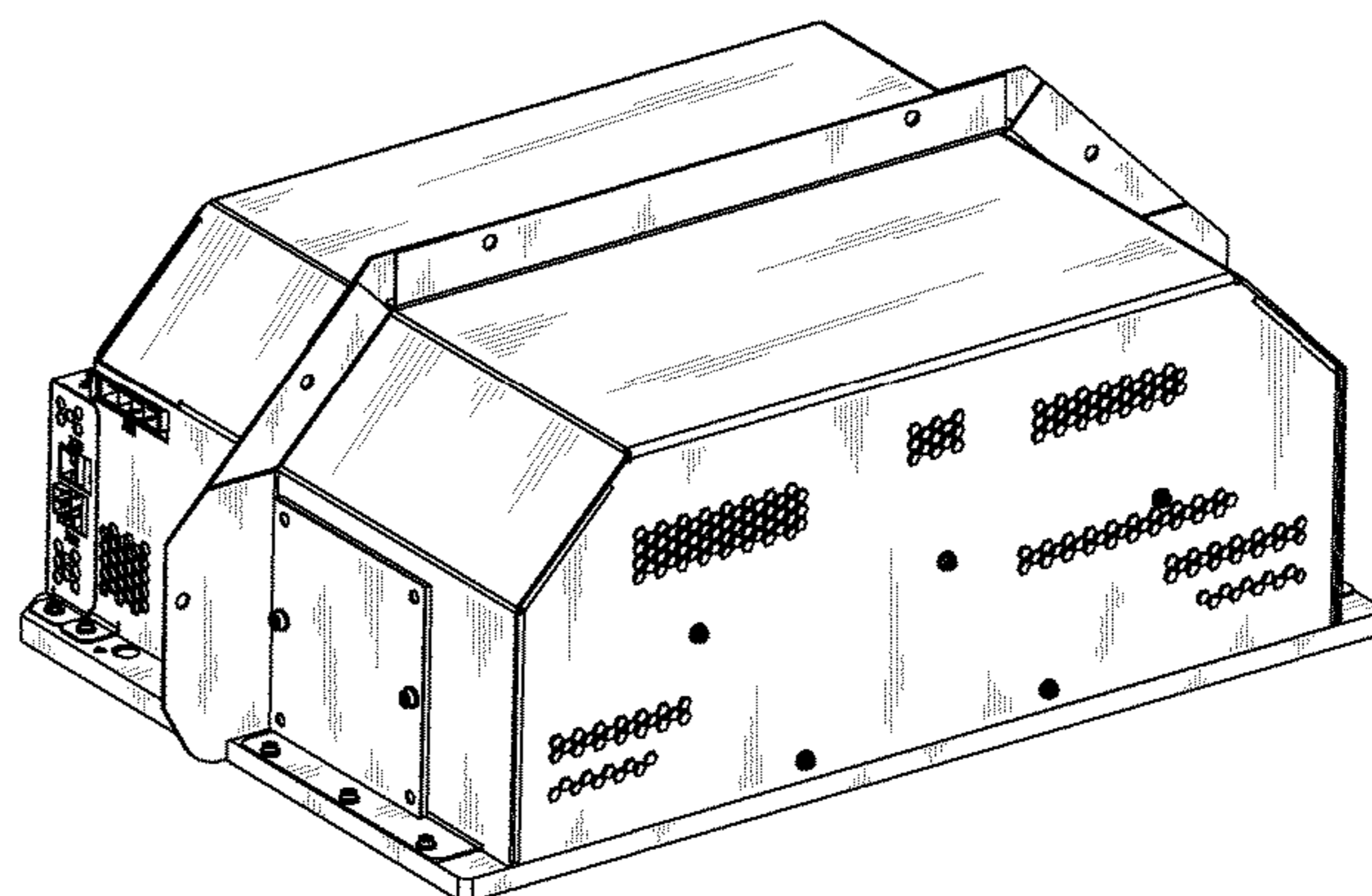
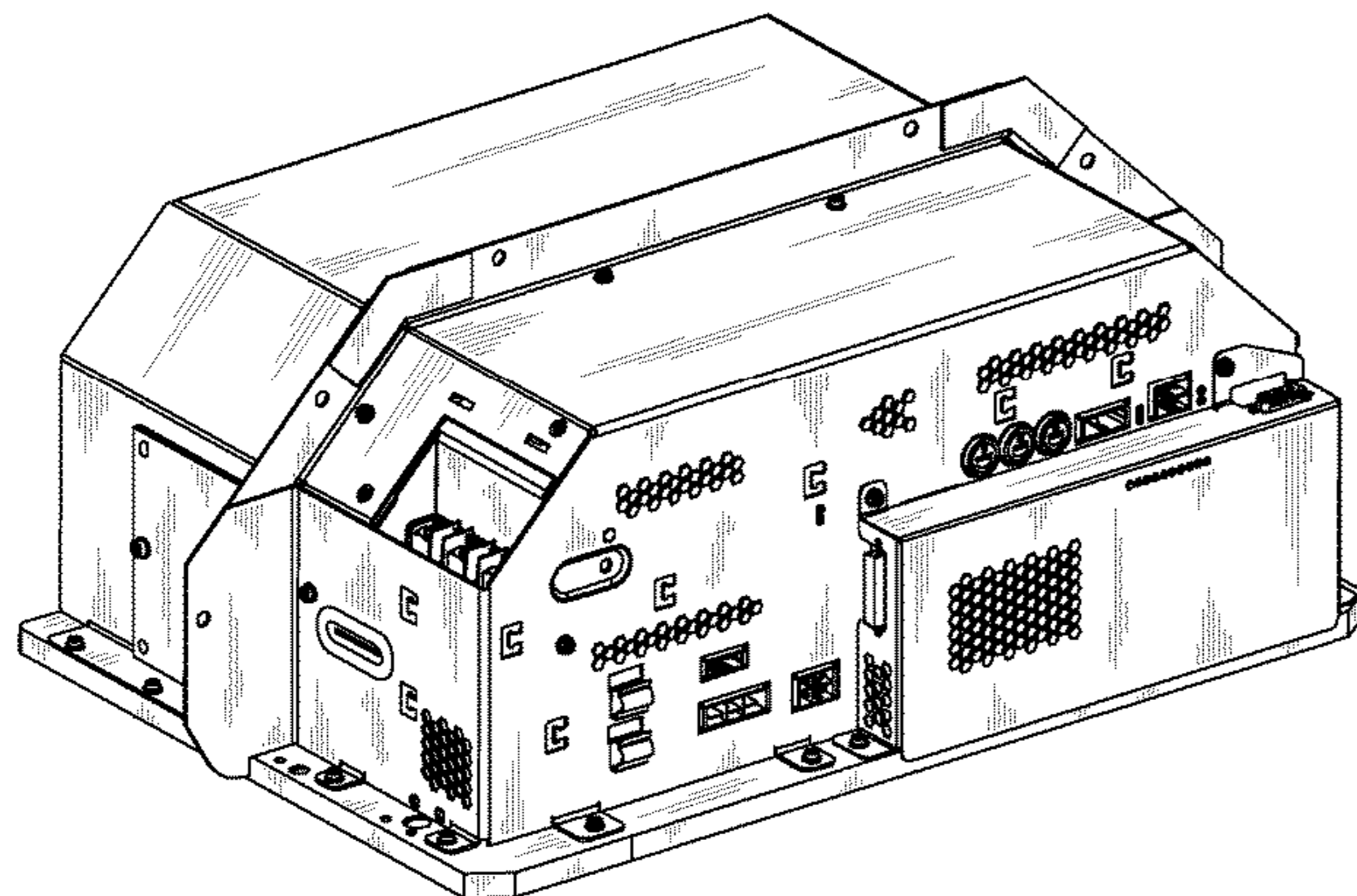


FIG 1

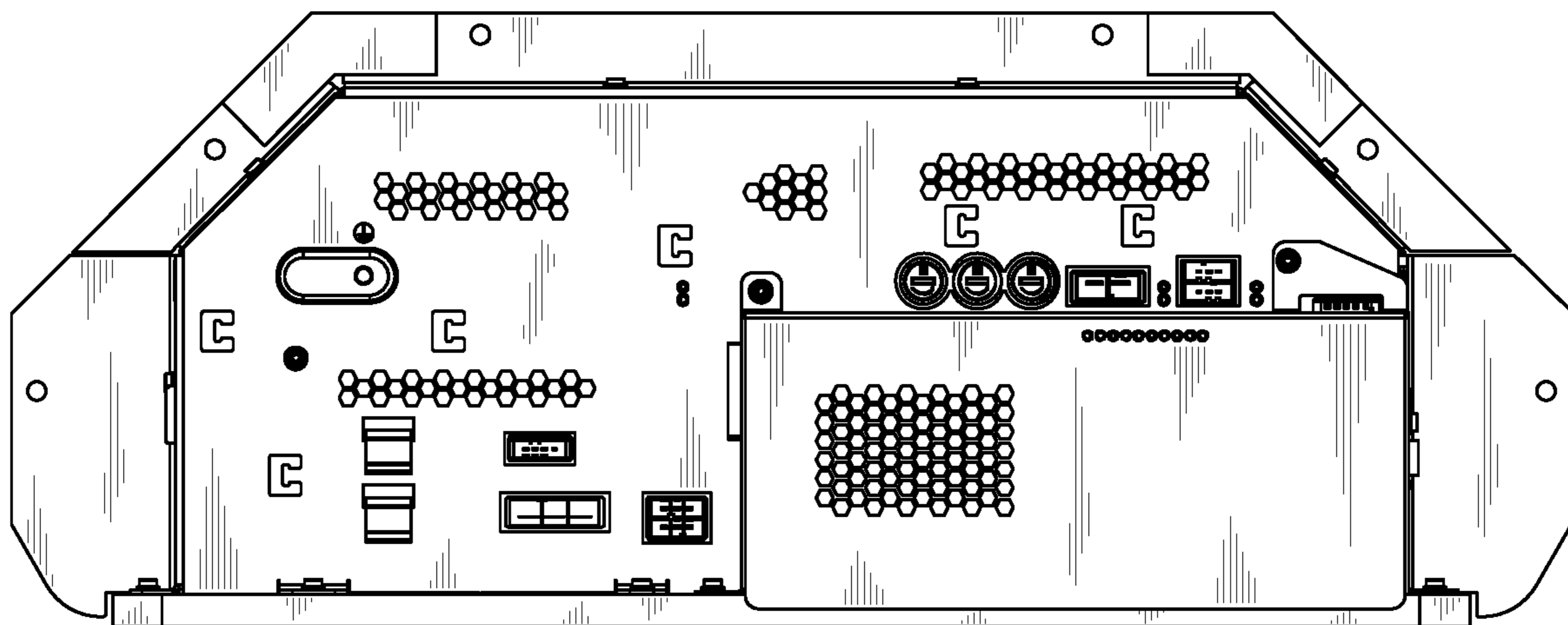


FIG 2

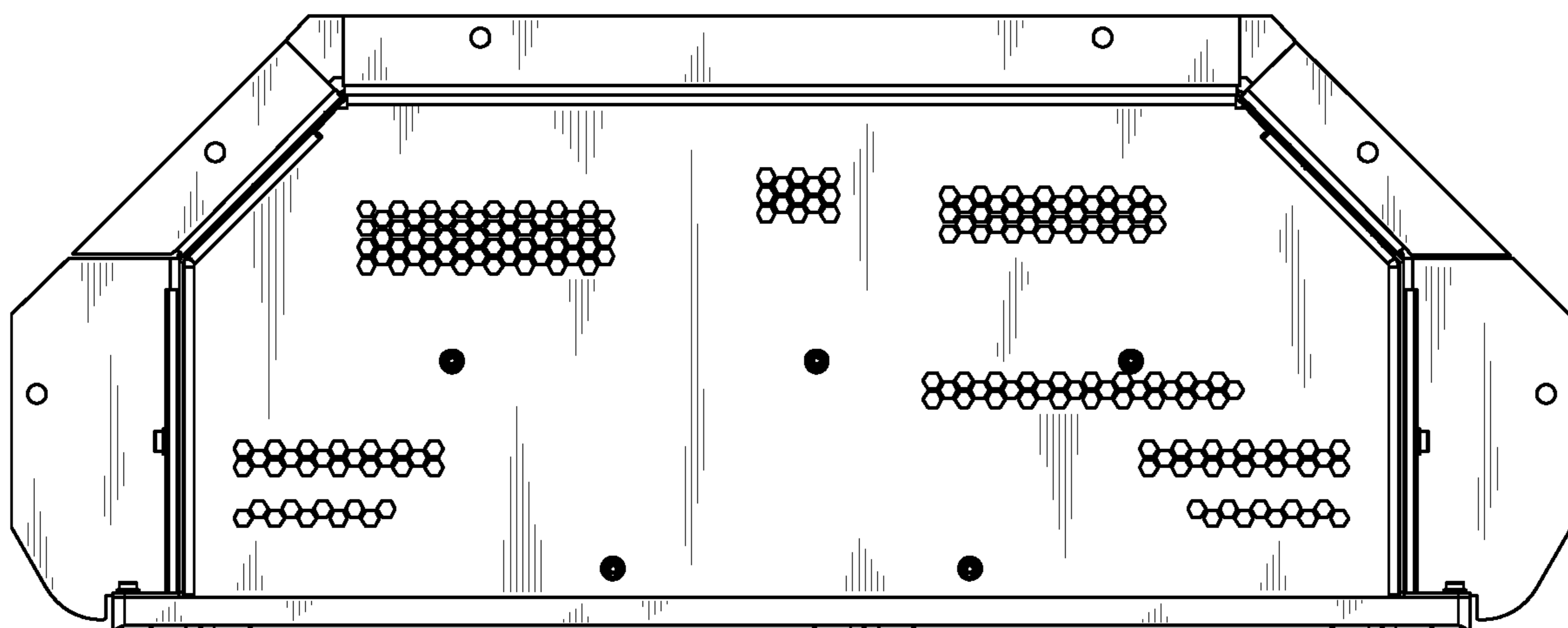


FIG 3

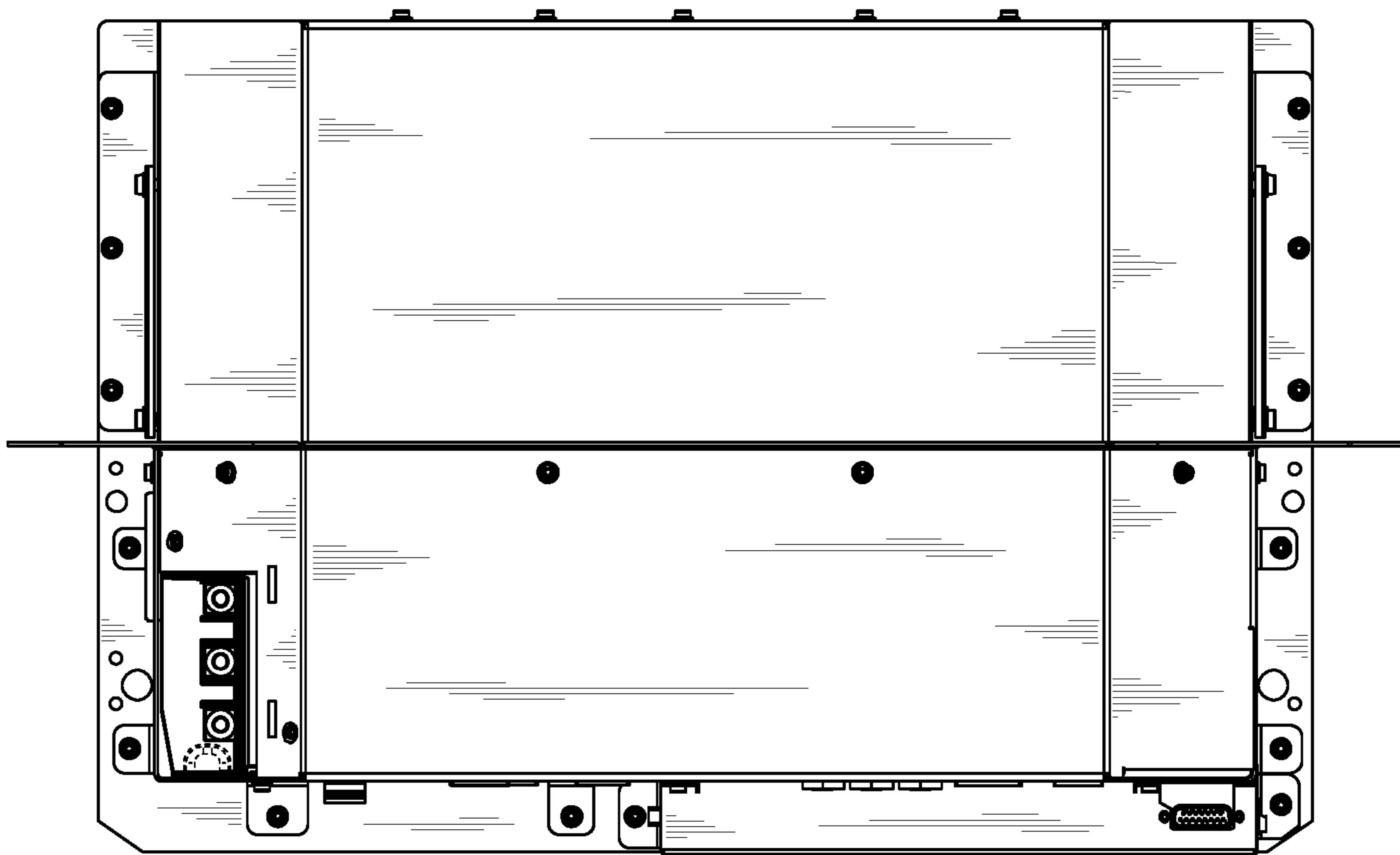


FIG 4

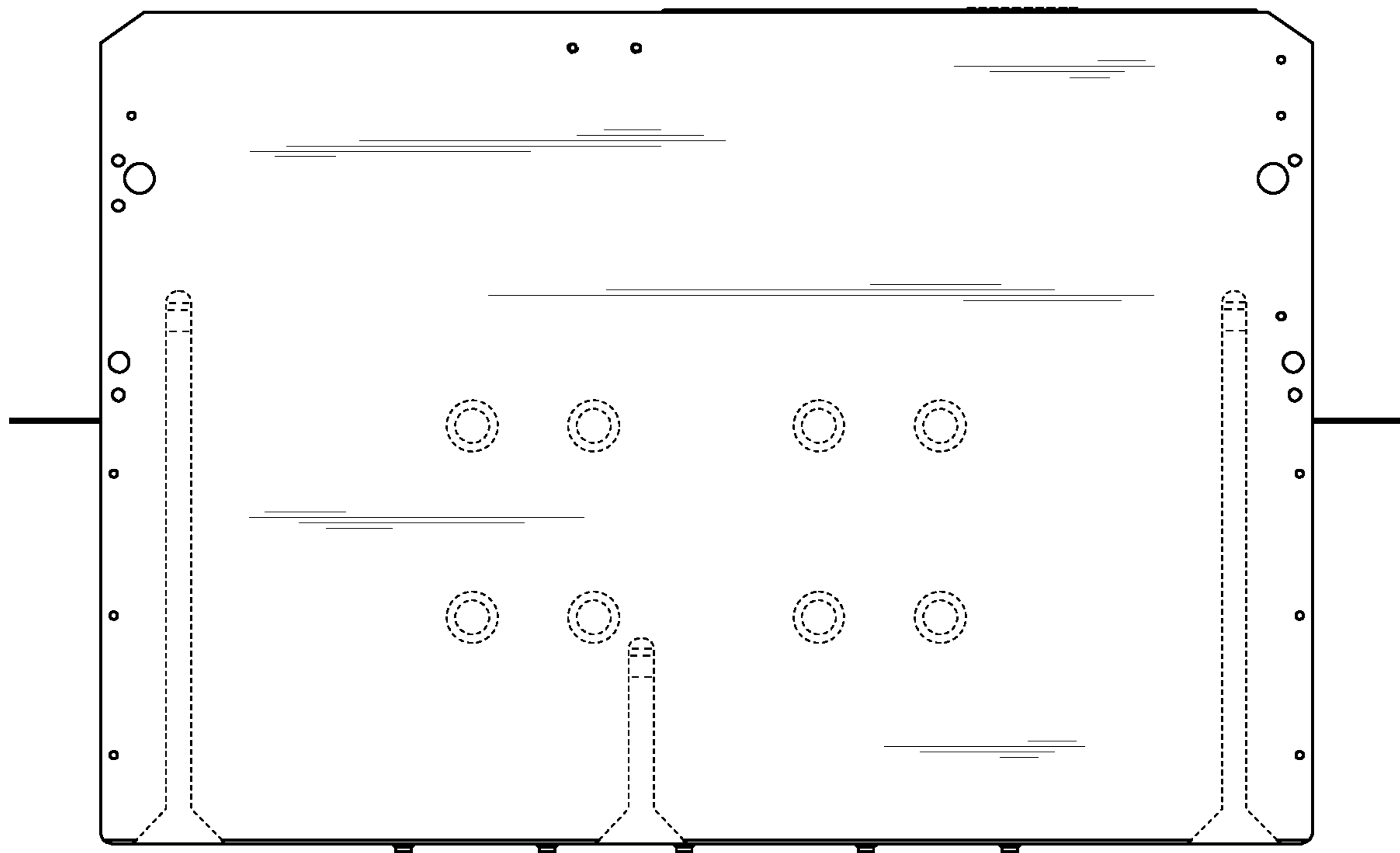


FIG 5

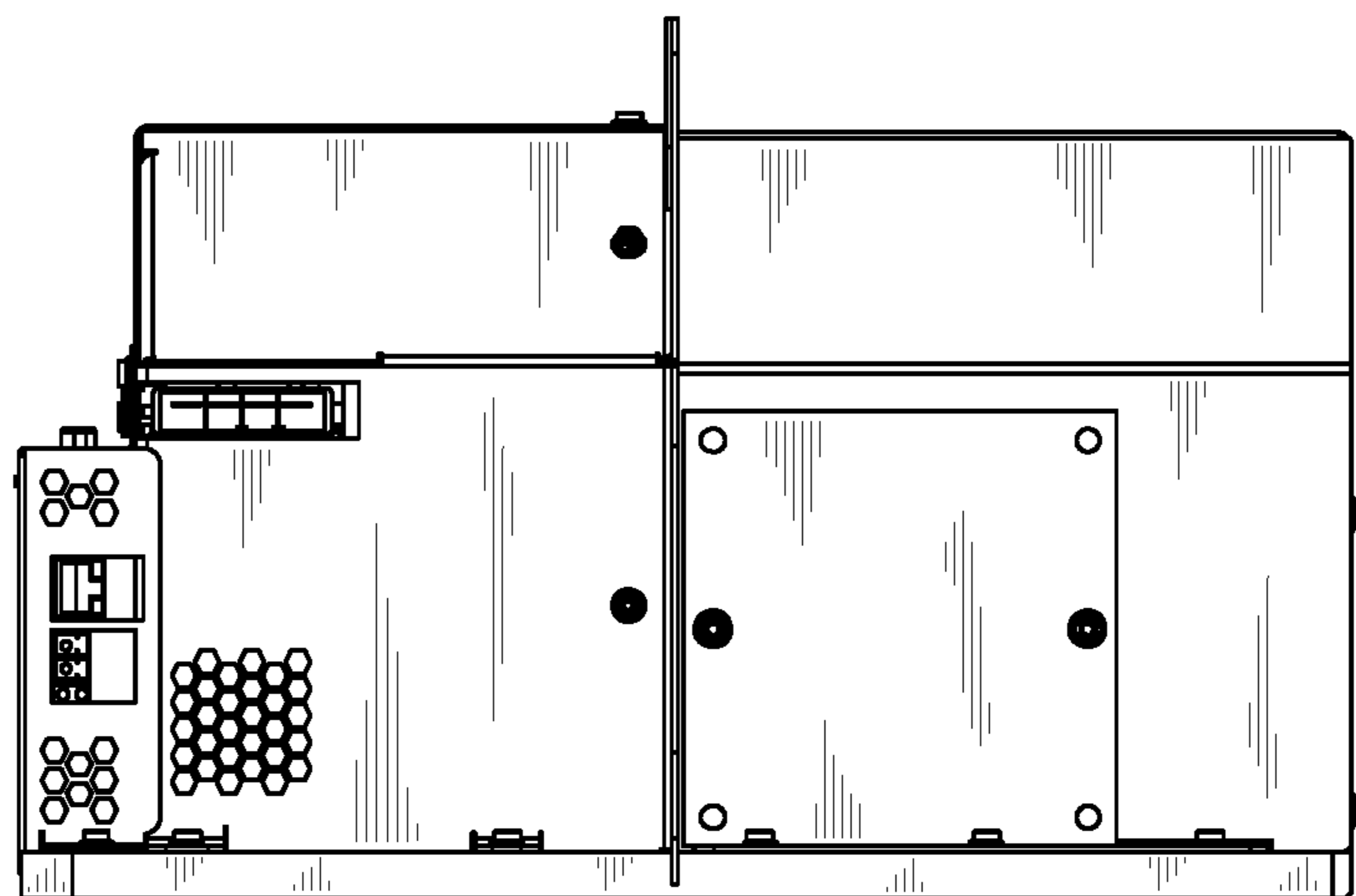


FIG 6

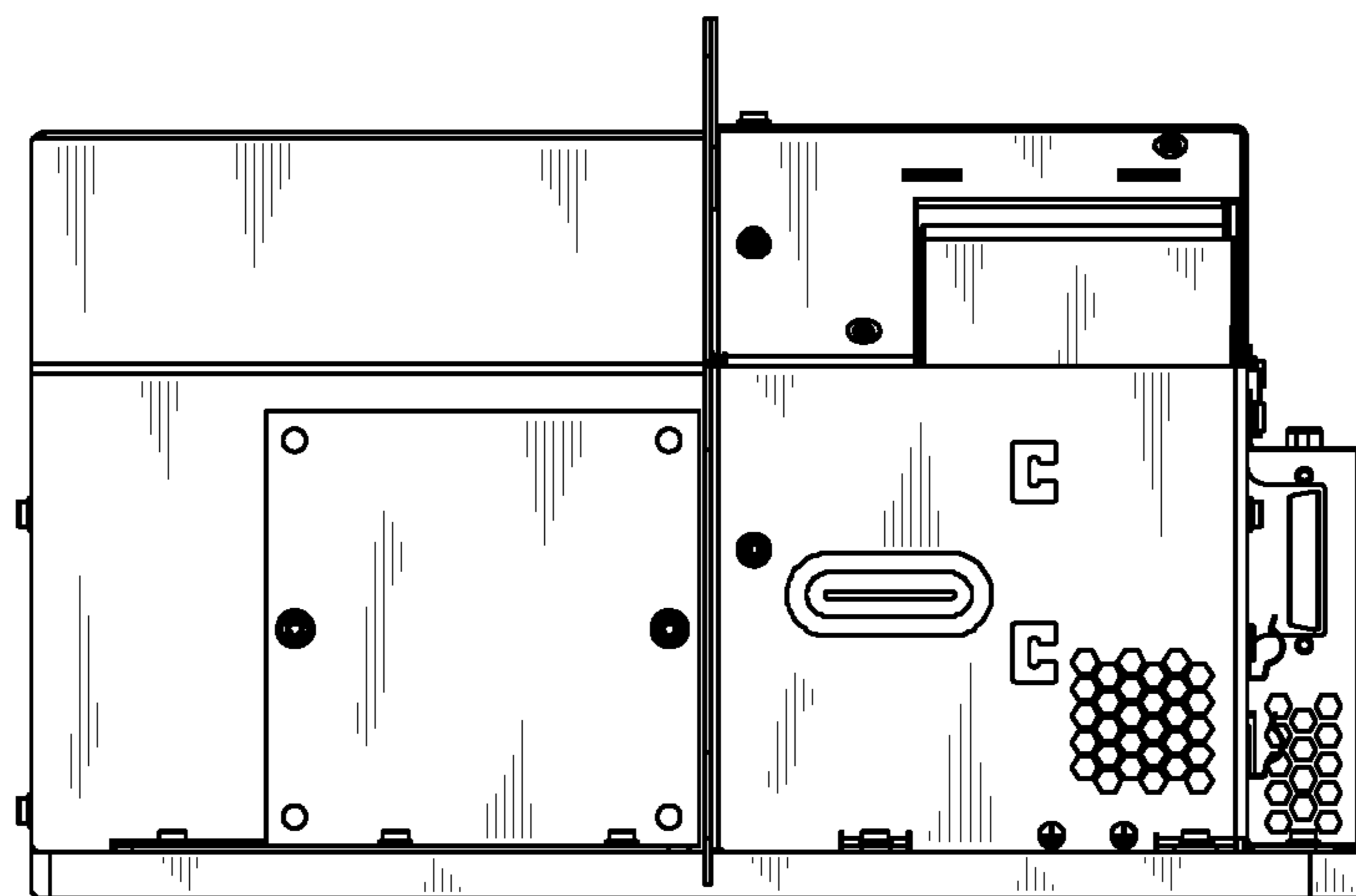


FIG 7

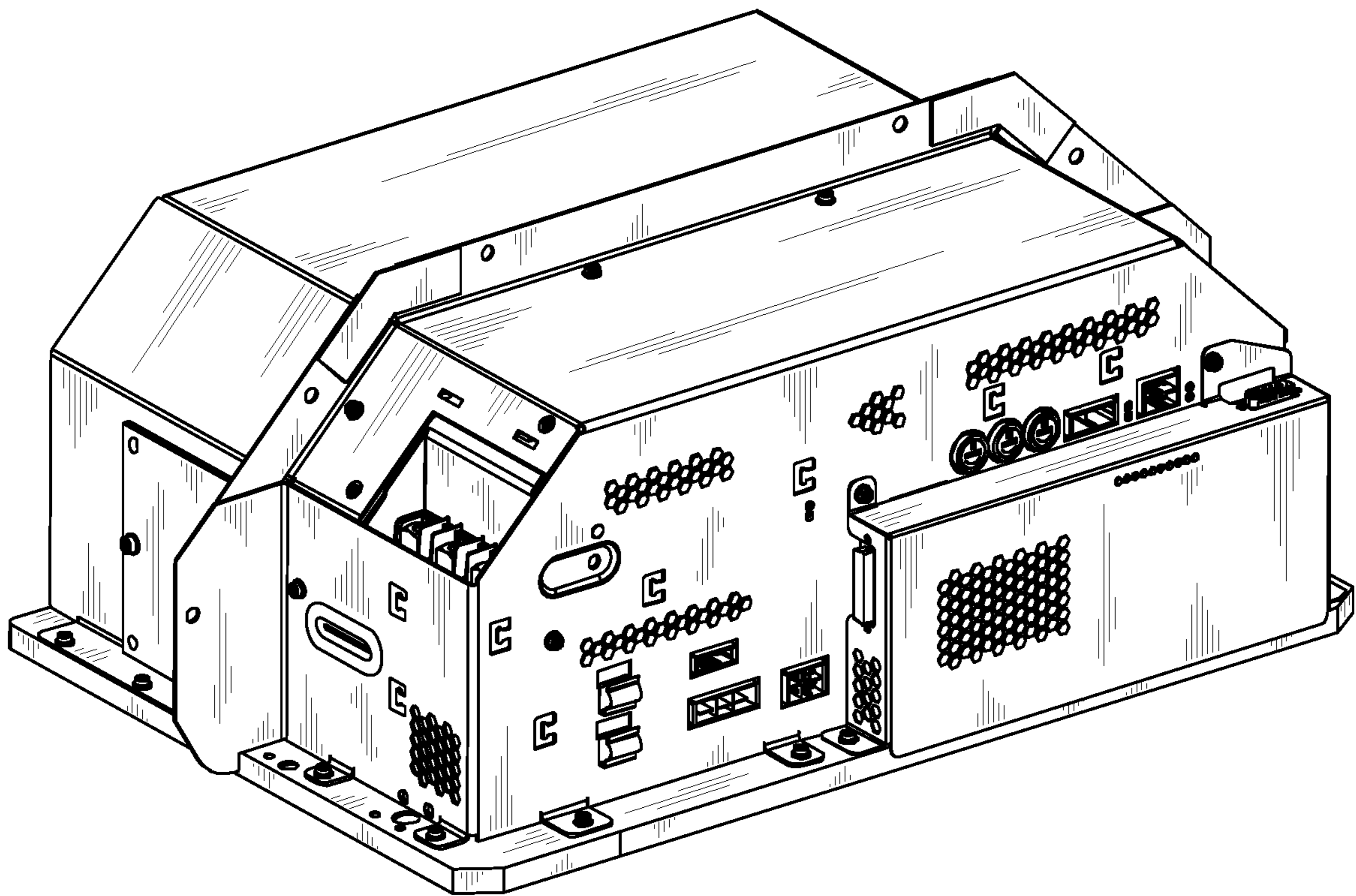


FIG 8

