

US00D878291S

(12) **United States Design Patent**
Pupecki et al.

(10) **Patent No.:** **US D878,291 S**
(45) **Date of Patent:** **** Mar. 17, 2020**

(54) **CHARGING DOCK**

(71) Applicant: **Bose Corporation**, Framingham, MA (US)
(72) Inventors: **Jason R. Pupecki**, Worcester, MA (US); **Jonathan Salerno**, Marlborough, MA (US); **Alexander Decastro Calachan**, Cambridge, MA (US); **Paul Summerson**, Berlin, MA (US); **Colin Taylor Mosgrove**, Needham, MA (US); **Emily L. Ballantyne**, Watertown, MA (US); **David Kaphammer**, Westborough, MA (US)

(73) Assignee: **Bose Corporation**, Framingham, MA (US)

(**) Term: **15 Years**

(21) Appl. No.: **29/674,512**

(22) Filed: **Dec. 21, 2018**

(51) **LOC (12) Cl.** **13-02**

(52) **U.S. Cl.**
USPC **D13/108**

(58) **Field of Classification Search**
USPC D13/103–110, 118, 119, 184, 199;
D14/251, 253, 432, 434
CPC Y02E 60/10; Y02E 60/12; Y02E 60/122;
Y02E 60/124; Y02E 60/50; H01M 2/02;
H01M 2/022; H01M 2/0202; H01M
2/0207; H01M 2/0212; H01M 2/1061;
H01M 2/1022; H01M 2/1055; H01M
2/1066; H01M 2/105; H01M 2/20; H01M
2/202; H01M 2/204; H01M 2/206; H01M
10/44; H01M 10/46; H01M 10/465;
H01M 10/482; H01M 2200/30; H01M
2250/30; H01M 2250/40; H02J 7/00;
H02J 7/0003; H02J 7/0011; H02J 7/0013;
H02J 7/0054; H02J 7/0055; H02J 7/0057;
H02J 2007/0062

See application file for complete search history.

(56) **References Cited**

U.S. PATENT DOCUMENTS

D482,653 S *	11/2003	Cho	D13/110
D611,408 S *	3/2010	Ferber	D13/108
D627,718 S *	11/2010	Houghton	D13/108
D661,668 S *	6/2012	Rose	D13/184
D682,199 S *	5/2013	Rautiainen	D13/108
D682,200 S *	5/2013	Rautiainen	D13/108
D700,571 S *	3/2014	Guccione	D13/108

(Continued)

OTHER PUBLICATIONS

Ember Temperature Control Ceramic Mug, White—CM17, retrieved from the internet May 6, 2019, https://www.amazon.com/Ember-Temperature-Control-Ceramic-Mug/dp/B0773WG6NK/ref=asc_df_B0773WG6NK/?tag=hyprod-20&linkCode=df0&hvadid=234671296470&hvpos=1o1&hvnetw=g&hvrand=17832791369615695916&hvpone=&hvptwo=&hvqmt=&hvdev=c&hvdvcm1=&hvlocint=&hvlocphy=9001841&hvtargid=pla-390573331153&psc=1.

(Continued)

Primary Examiner — Rosemary K Tarcza
Assistant Examiner — Christy M Nemeth

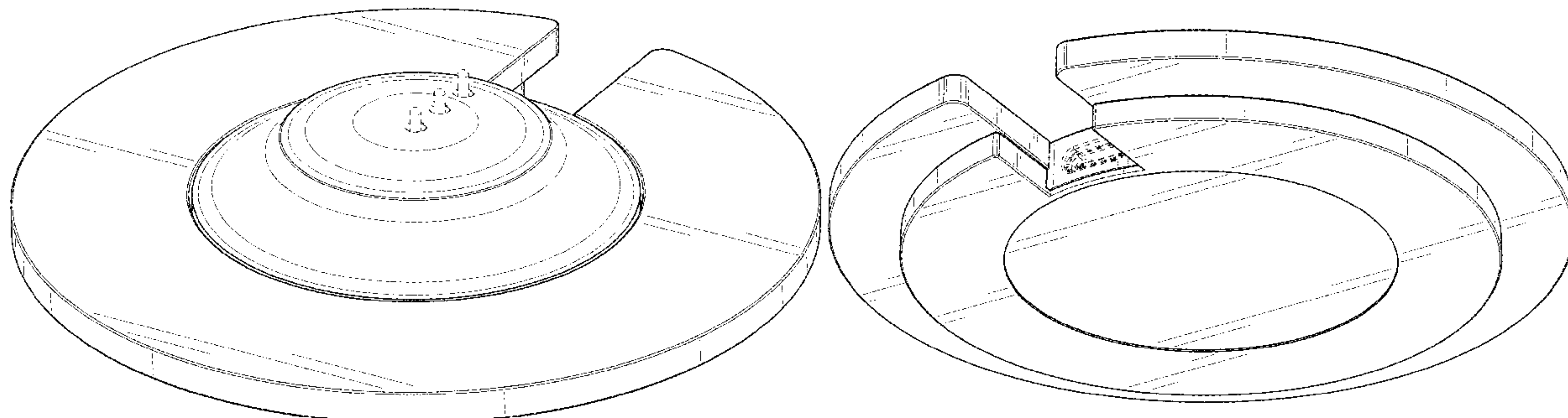
(57) **CLAIM**

The ornamental design for a charging dock, substantially as shown and described.

DESCRIPTION

FIG. 1 is a top, front, right side perspective view of a charging dock;
FIG. 2 is a back, bottom, left side perspective view thereof;
FIG. 3 is a front view thereof;
FIG. 4 is a back view thereof;
FIG. 5 is a left side view thereof;
FIG. 6 is a right side view thereof;
FIG. 7 is a top view thereof; and,
FIG. 8 is a bottom view thereof.

(Continued)



The broken line portions of the drawings represent environmental structure only and form no part of the claimed design.

1 Claim, 8 Drawing Sheets

(56)

References Cited

U.S. PATENT DOCUMENTS

D718,236 S * 11/2014 Murray D13/108
 D720,288 S * 12/2014 Ko D13/108
 D735,131 S * 7/2015 Akana D13/108
 D735,132 S * 7/2015 Donohue, II D13/108
 D735,133 S * 7/2015 Reishus D13/108
 D736,706 S * 8/2015 Huang D13/108
 D740,750 S * 10/2015 Mayden D13/108
 D741,256 S * 10/2015 Murphy-Reinhertz D13/108
 D749,504 S * 2/2016 Jeong D13/108
 D758,305 S * 6/2016 Dorn D13/107
 D772,813 S * 11/2016 Wahl D13/108
 D774,455 S * 12/2016 Kim D13/108
 D777,103 S * 1/2017 Park D13/108
 D782,415 S * 3/2017 Zhang D13/108
 D782,973 S * 4/2017 Zhou D13/108
 9,654,879 B2 * 5/2017 Jensen H04R 7/18
 D791,698 S * 7/2017 Kim D13/108
 D794,557 S * 8/2017 Kim D13/108
 D795,182 S * 8/2017 Akana D13/108
 D797,042 S * 9/2017 Miller D13/107
 D806,020 S * 12/2017 Lu D13/107
 D808,901 S * 1/2018 Kelly D13/107
 D810,680 S * 2/2018 Carreon D13/108
 D812,559 S * 3/2018 Xu D13/107
 D817,268 S * 5/2018 Symons D13/108
 D821,307 S * 6/2018 Calachan D13/107
 D821,309 S * 6/2018 Barnard D13/108
 D821,973 S * 7/2018 Maeda D13/108
 D826,151 S * 8/2018 Akana D13/108

D830,968 S * 10/2018 Wang D13/107
 D836,541 S * 12/2018 Lomeli D13/107
 D839,188 S * 1/2019 Akana D13/108
 D839,191 S * 1/2019 Akana D13/108
 D841,578 S * 2/2019 Kim D13/108
 D845,897 S * 4/2019 Kim D13/108
 D847,741 S * 5/2019 Hu D13/108
 D850,371 S * 6/2019 Yun D13/108
 D850,372 S * 6/2019 Kong D13/108
 D851,035 S * 6/2019 Hong D13/108
 D851,036 S * 6/2019 Saangloef D13/108
 D853,326 S * 7/2019 Jun D13/108
 D855,567 S * 8/2019 Cai D13/108
 D857,626 S * 8/2019 Zhang D13/108
 D860,936 S * 9/2019 Jia D13/108
 D860,937 S * 9/2019 Slaatto D13/108
 D860,938 S * 9/2019 Lin D13/108
 D860,943 S * 9/2019 Xie D13/119
 D861,599 S * 10/2019 Choi D13/108
 D861,600 S * 10/2019 Choi D13/108
 D861,602 S * 10/2019 Feng D13/108
 2017/0104352 A1 * 4/2017 Stratton H02J 7/0044
 2017/0117512 A1 * 4/2017 Freitag H01M 2/0285
 2018/0138463 A1 * 5/2018 Bruch H01M 2/021

OTHER PUBLICATIONS

Amazon Tap—Alexa-Enabled Portable Bluetooth Speaker, retrieved from the Internet May 6, 2019, https://www.amazon.com/Amazon-Tap-Portable-Wireless-Bluetooth-Speaker-with-WiFi-Alexa/dp/B01BH83OOM/ref=sr_1_1?keywords=amazon+tap&qid=1557156741&s=gateway&sr=8-1.
 Ultimate Ears Megaboom 3 Portable Bluetooth Wireless Speaker, Night Black with Free Power Up Charging Dock, retrieved from the internet May 6, 2019, https://www.amazon.com/Ultimate-Ears-MEGABOOM-Bluetooth-Waterproof/dp/B07N3FVNRX/ref=sr_1_2?hvadid=78615134280247&hvbmt=bp&hvdev=c&hvqmt=p&keywords=ue%2Bboom%2Bmegaboom&qid=1557156910&s=gateway&sr=8-2&th=1.

* cited by examiner

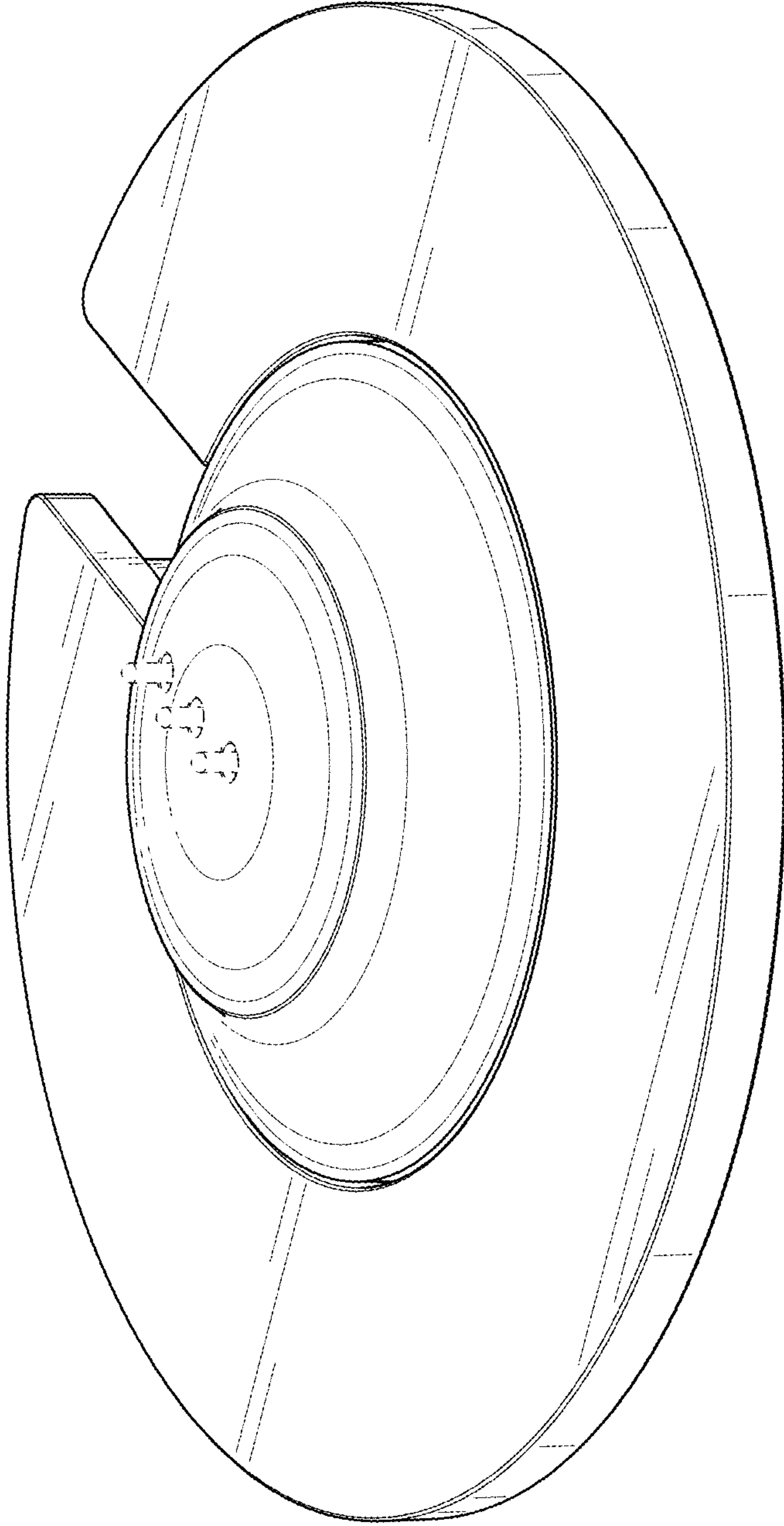


FIG. 1

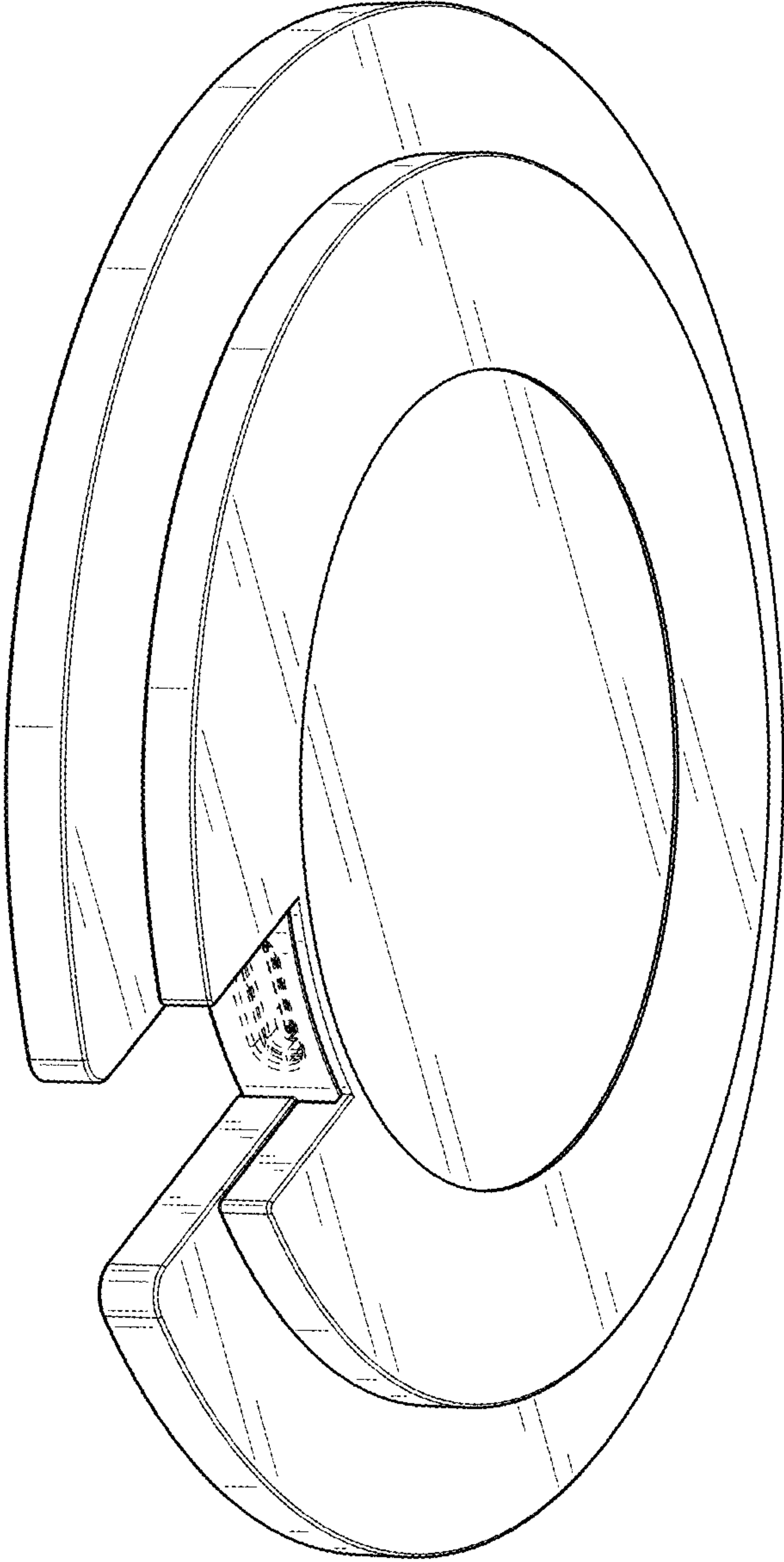


FIG. 2

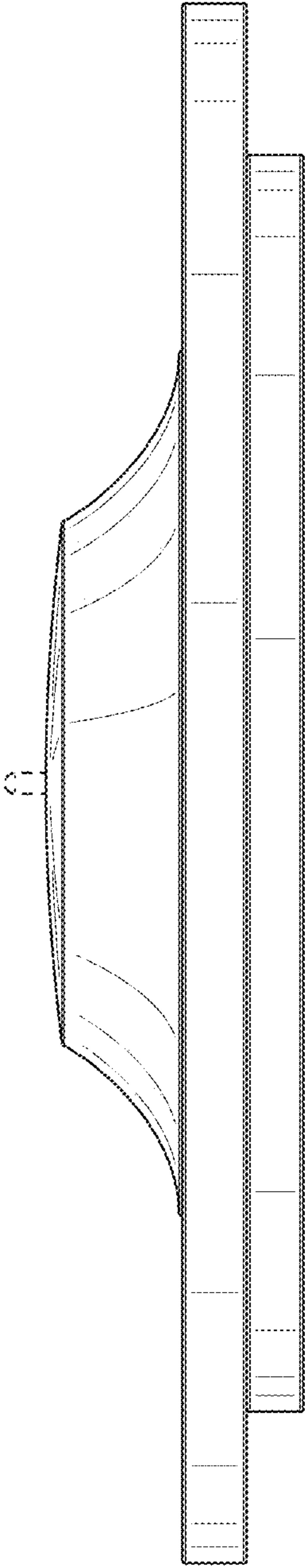


FIG. 3

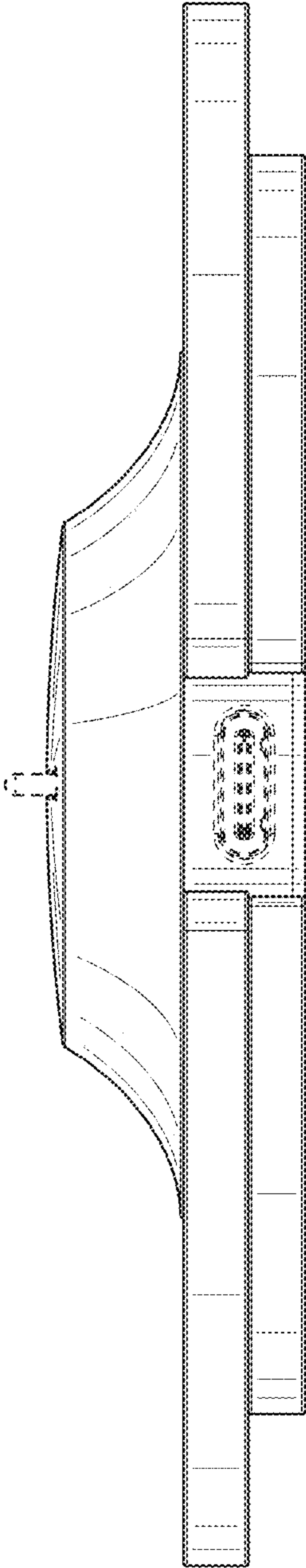


FIG. 4

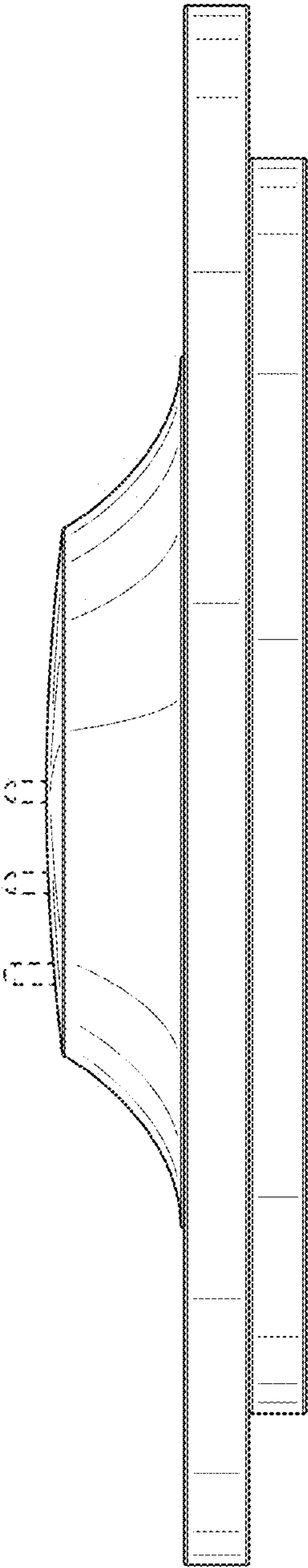


FIG. 5

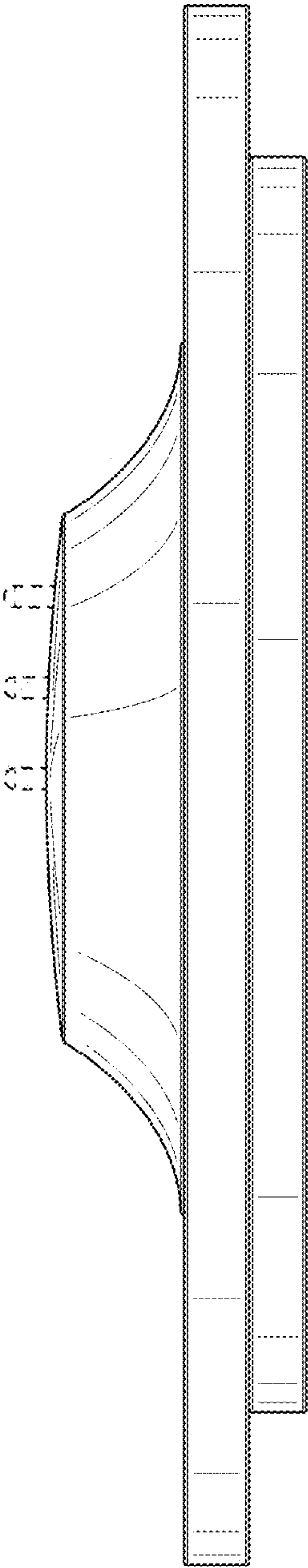


FIG. 6

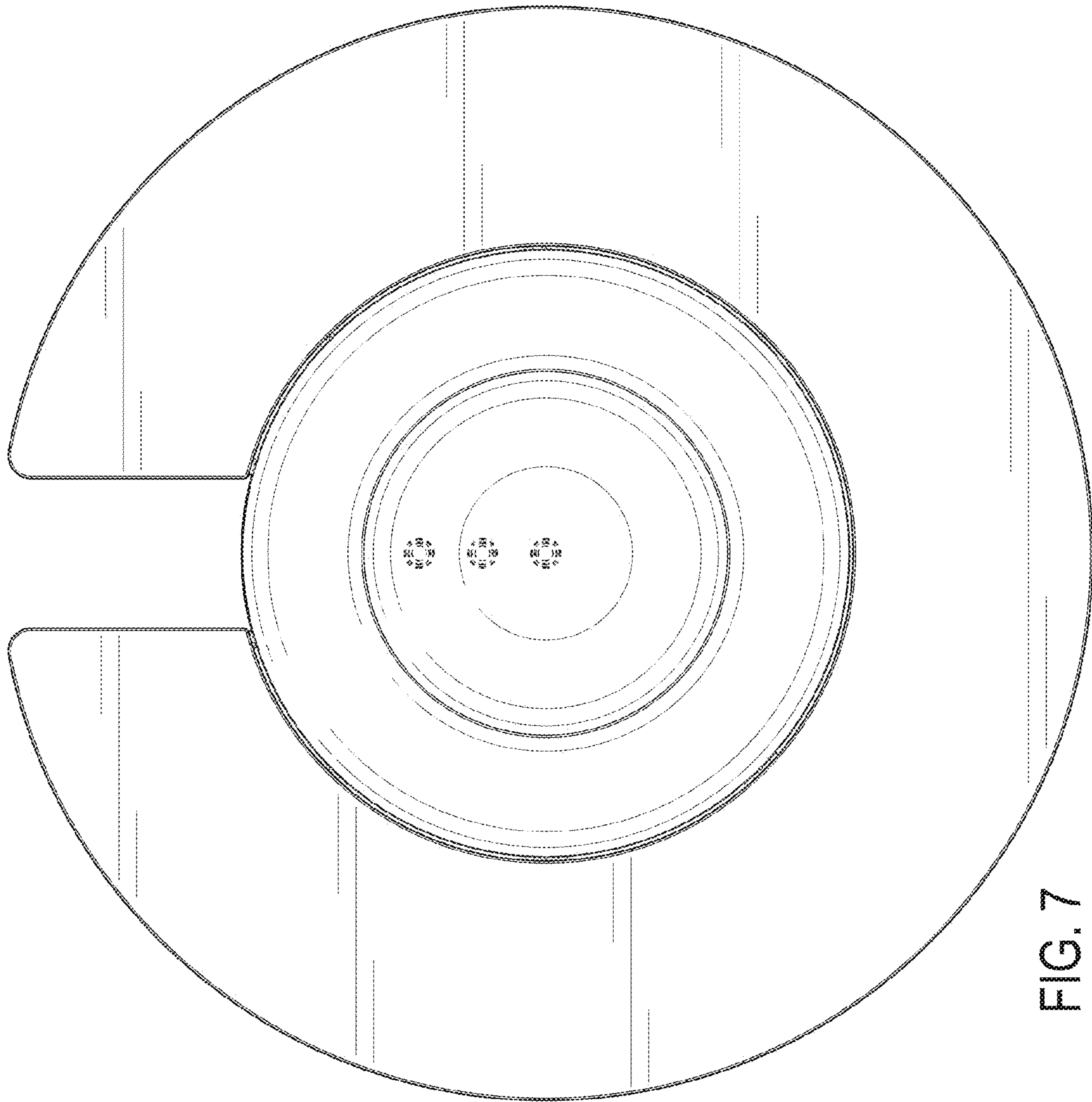


FIG. 7

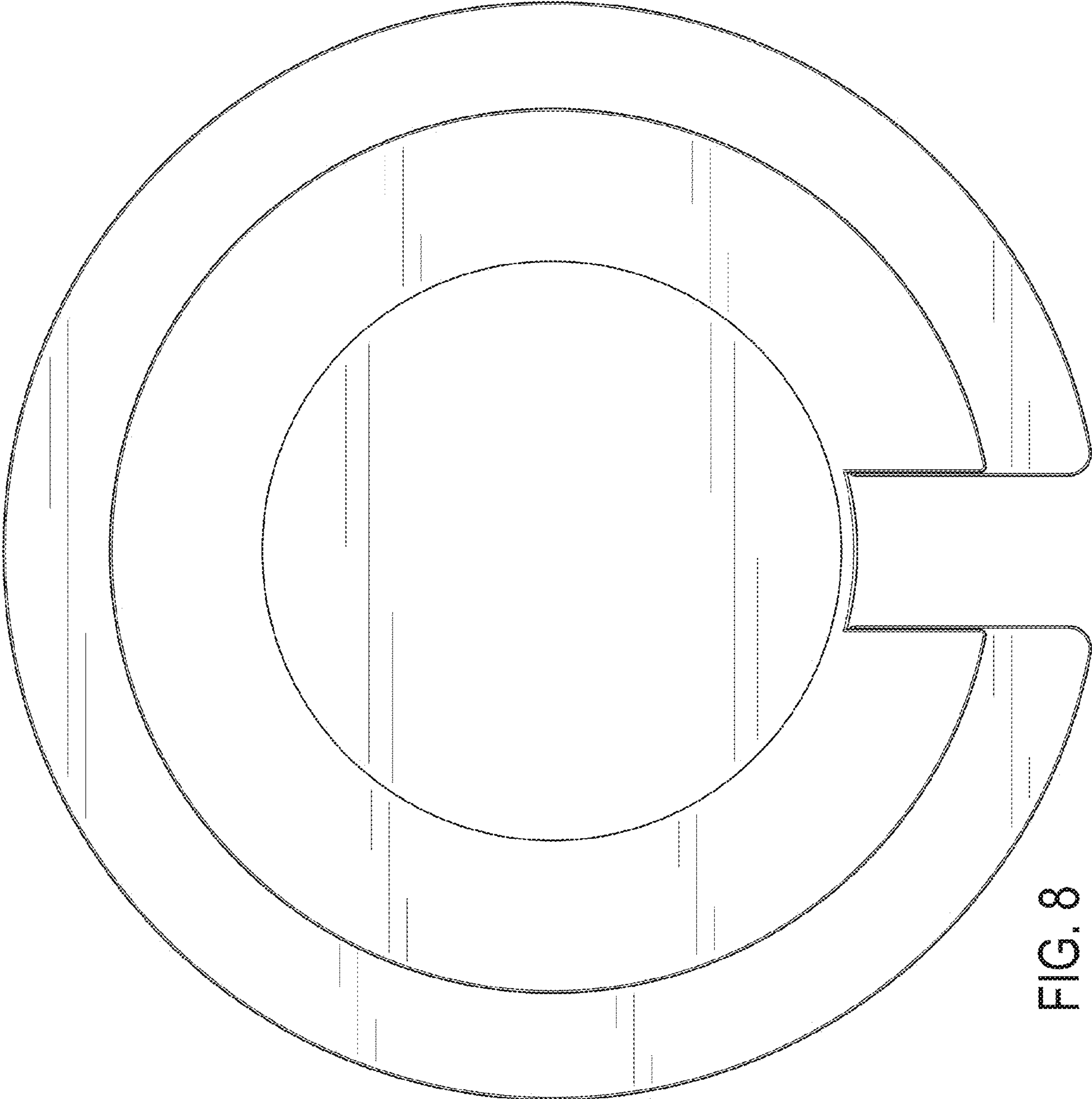


FIG. 8