



US00D878290S

(12) **United States Design Patent**
Lee

(10) **Patent No.:** **US D878,290 S**
(45) **Date of Patent:** **** Mar. 17, 2020**

(54) **WIRELESS CHARGING TRAY**

(71) Applicant: **GAZELAB, Inc.**, Seoul (KR)

(72) Inventor: **Ju Youn Lee**, Seoul (KR)

(73) Assignee: **GAZELAB, Inc.**, Seoul (KR)

(**) Term: **15 Years**

(21) Appl. No.: **29/669,246**

(22) Filed: **Nov. 7, 2018**

(51) **LOC (12) Cl.** **13-02**

(52) **U.S. Cl.**
USPC **D13/108**

(58) **Field of Classification Search**
USPC D13/103–110, 118, 119, 184, 199;
D14/251, 253, 432, 434
CPC Y02E 60/10; Y02E 60/12; Y02E 60/122;
Y02E 60/124; Y02E 60/50; H01M 2/02;
H01M 2/022; H01M 2/0202; H01M
2/0207; H01M 2/0212; H01M 2/1061;
H01M 2/1022; H01M 2/1055; H01M
2/1066; H01M 2/105; H01M 2/20; H01M
2/202; H01M 2/204; H01M 2/206; H01M
10/44; H01M 10/46; H01M 10/465;
H01M 10/482; H01M 2200/30; H01M
2250/30; H01M 2250/40; H02J 7/00;
H02J 7/0003; H02J 7/0011; H02J 7/0013;
H02J 7/0054; H02J 7/0055; H02J 7/0057;
H02J 2007/0062

See application file for complete search history.

(56) **References Cited**

U.S. PATENT DOCUMENTS

D599,736 S * 9/2009 Ferber D13/108
D630,163 S * 1/2011 Yeh D13/108
D637,951 S * 5/2011 Perez D13/108
D639,734 S * 6/2011 Ferber D13/108
D644,989 S * 9/2011 Guccione D13/108

D680,540 S * 4/2013 Lee D14/217
D697,473 S * 1/2014 Guccione D13/108
D705,160 S * 5/2014 Ormesher D13/108
D719,505 S * 12/2014 Kim D13/108
D730,906 S * 6/2015 Amit D14/435
D754,599 S * 4/2016 Yang D13/108
D765,597 S * 9/2016 Kim D13/108
D777,331 S * 1/2017 Jayalath D14/344
D782,976 S * 4/2017 Zhang D13/108
D785,564 S * 5/2017 Lee D13/108
D788,700 S * 6/2017 Yang D13/108
D793,958 S * 8/2017 Rautiainen D13/108
D812,002 S * 3/2018 Nishimura D13/110
D814,403 S * 4/2018 Ryu D13/103
D817,270 S * 5/2018 Kim D13/108
D818,434 S * 5/2018 Doiron D13/108
D826,151 S * 8/2018 Akana D13/108
D830,971 S * 10/2018 Seong D13/108
D835,036 S * 12/2018 Dunham D13/108

(Continued)

Primary Examiner — Rosemary K Tarcza
Assistant Examiner — Christy M Nemeth
(74) *Attorney, Agent, or Firm* — Revolution IP, PLLC

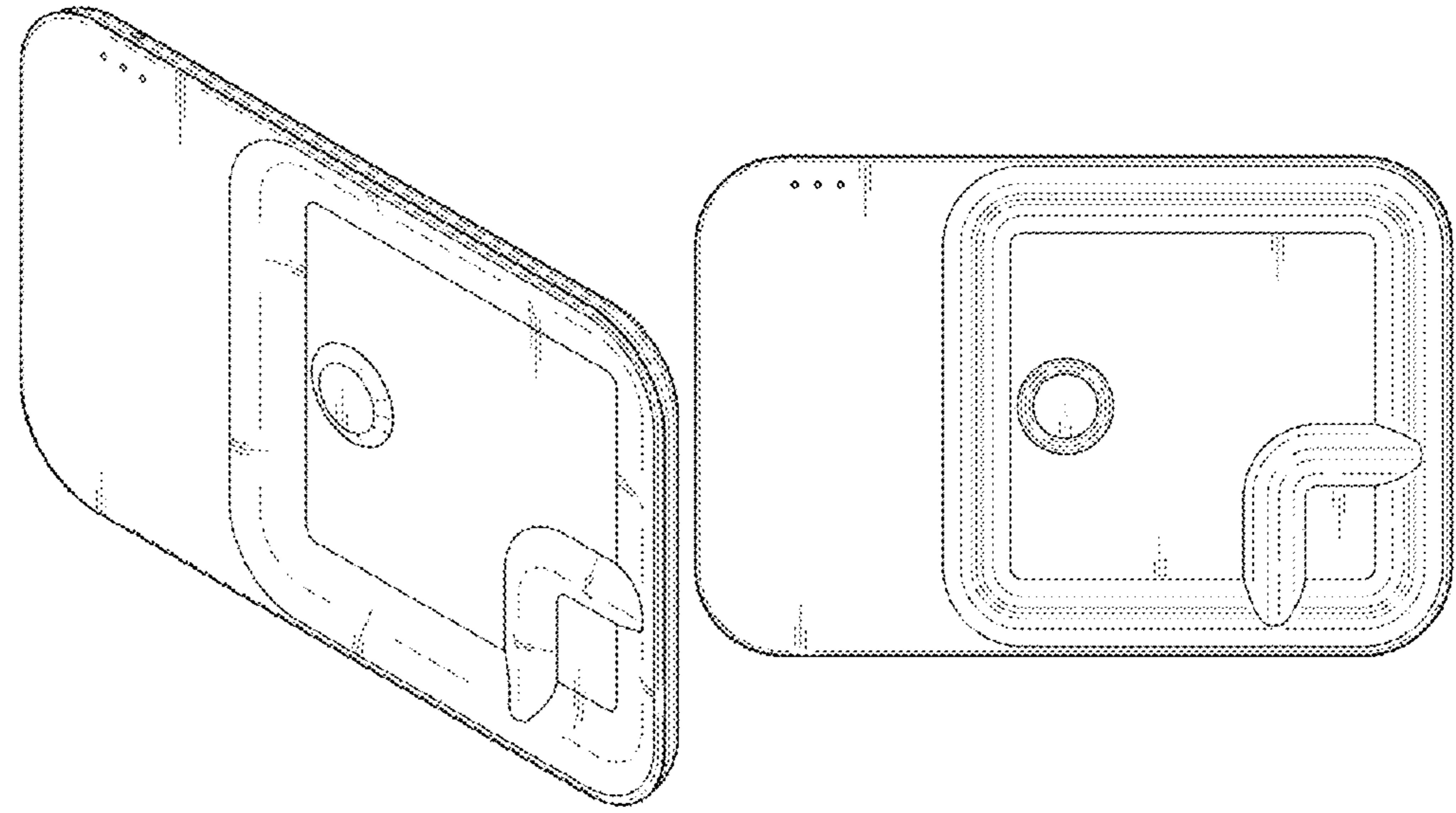
(57) **CLAIM**

The ornamental design for a wireless charging tray, as shown and described.

DESCRIPTION

FIG. 1 is a front perspective view of a wireless charging tray showing my new design;
FIG. 2 is a front view thereof;
FIG. 3 is a rear view thereof;
FIG. 4 is a left side view thereof;
FIG. 5 is a right side view thereof;
FIG. 6 is a top view thereof;
FIG. 7 is a bottom view thereof; and,
FIG. 8 is a front view of the wireless charging tray, shown in a state of use.
The broken lines in FIG. 8 depict environment and form no part of the claimed design.

1 Claim, 5 Drawing Sheets



(56)

References Cited

U.S. PATENT DOCUMENTS

D839,822	S	*	2/2019	Zhao	D13/103
D851,588	S	*	6/2019	Ma	D13/108
D852,738	S	*	7/2019	Backett	D13/108
D863,219	S	*	10/2019	Chen	D13/108
2015/0188352	A1	*	7/2015	Peek	H02J 7/0042
						320/108
2015/0263556	A1	*	9/2015	Chen	H02J 7/02
						320/108

* cited by examiner

FIG. 1

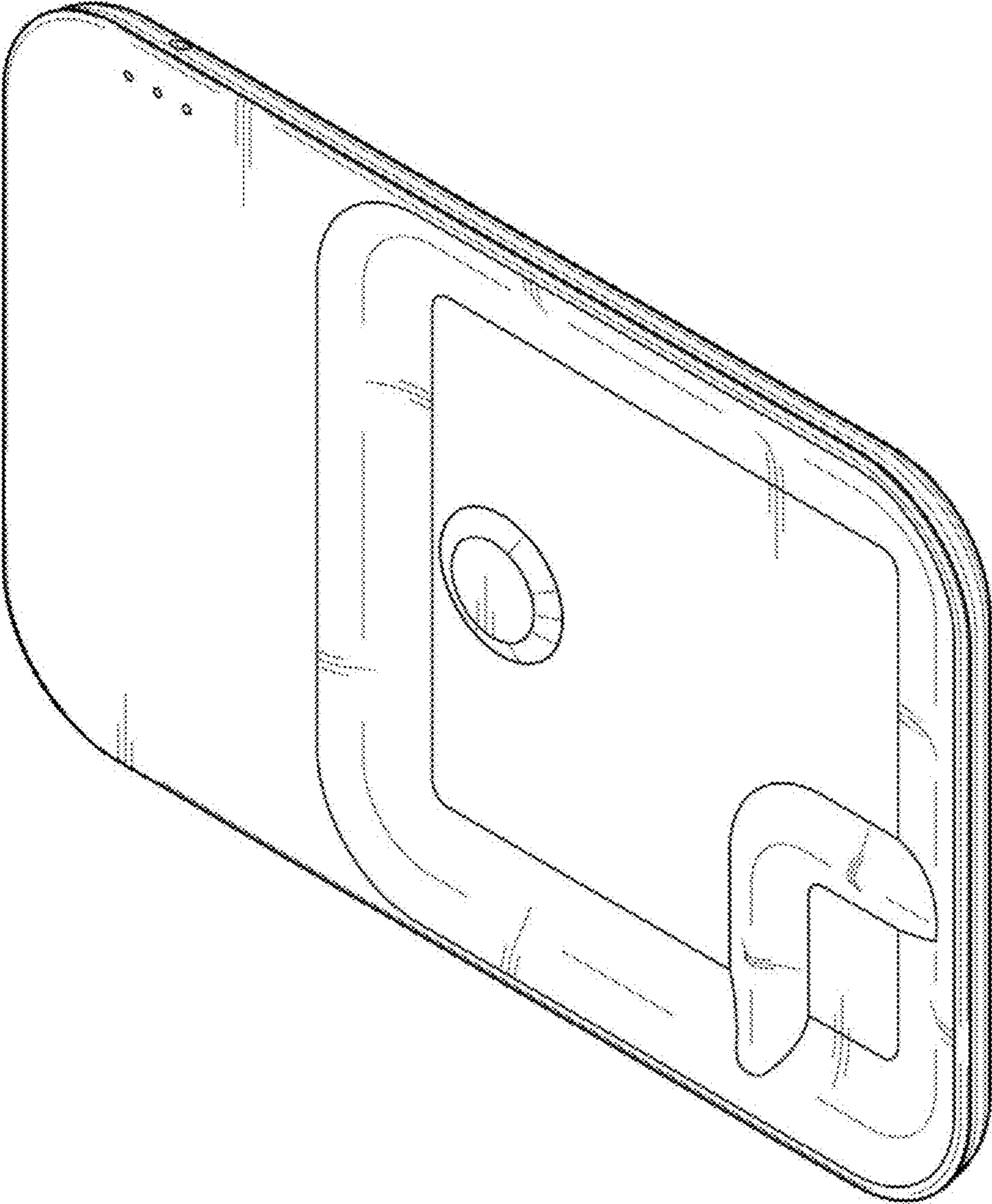


FIG. 2

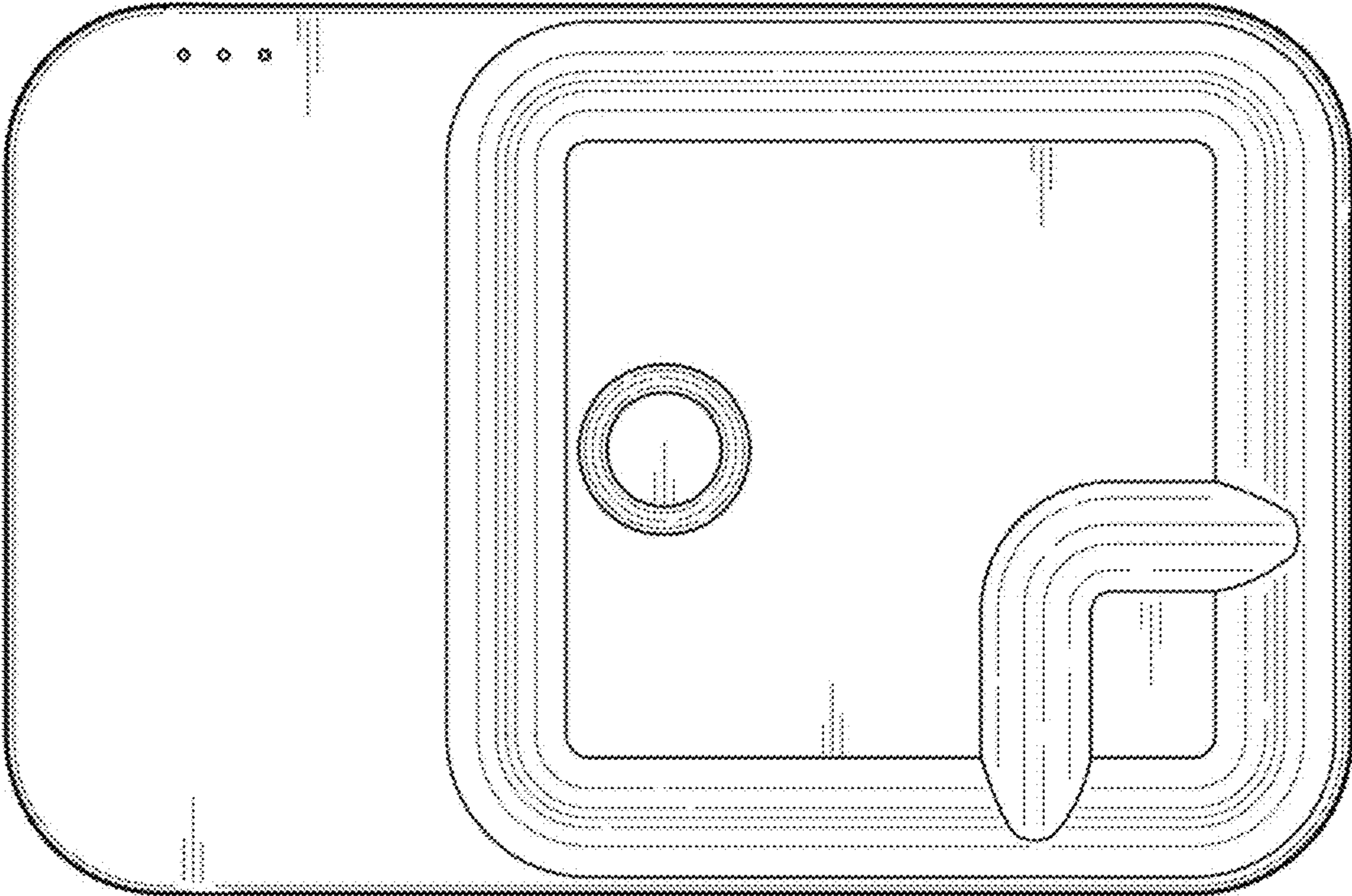


FIG. 3

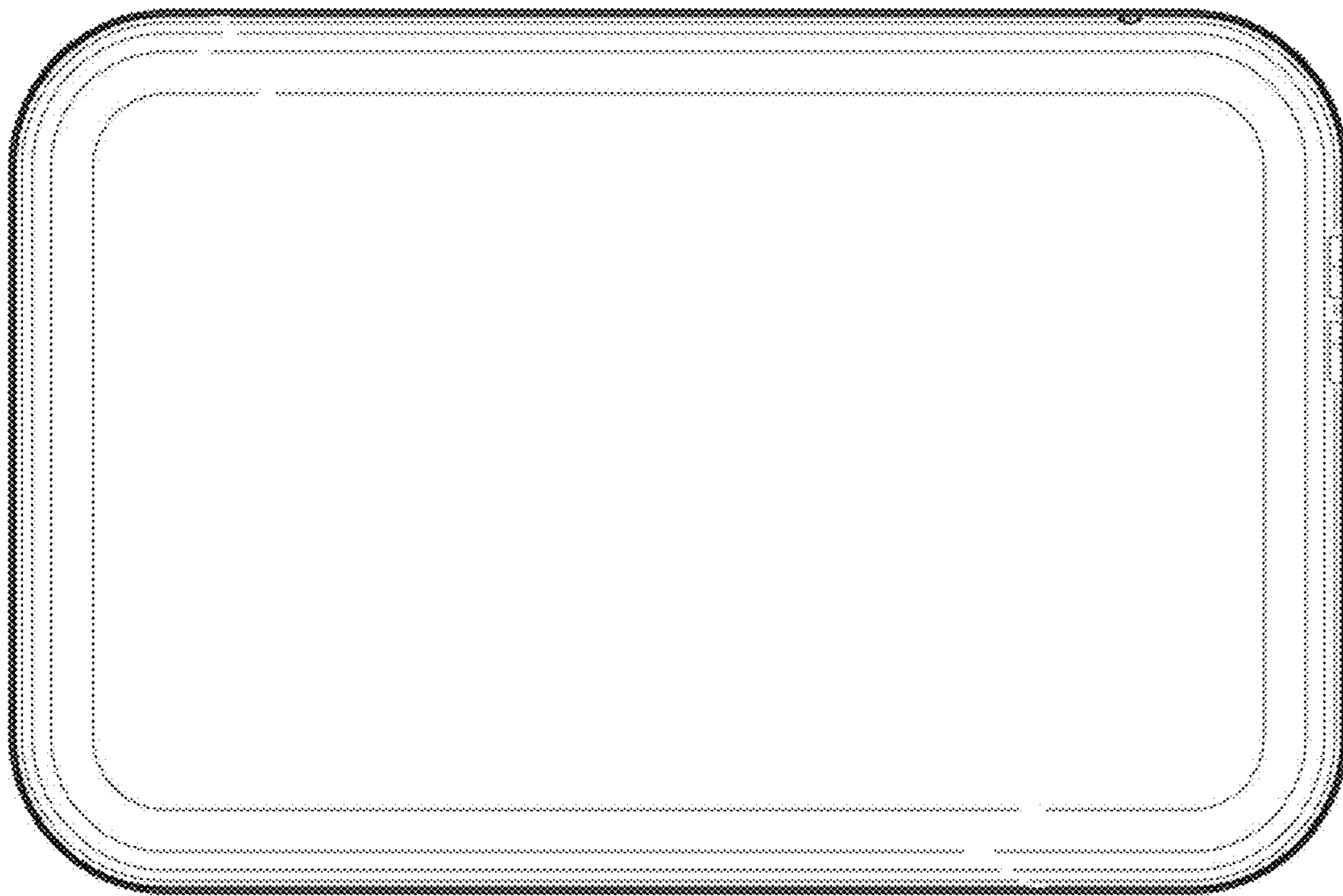


FIG. 4

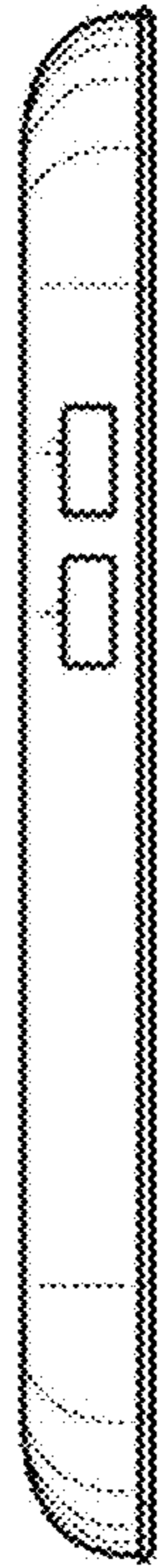


FIG. 5

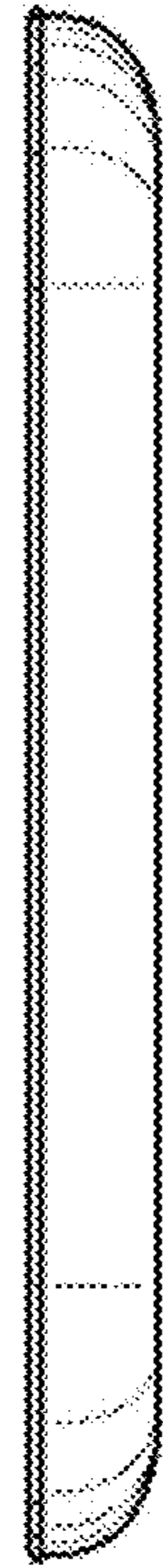


FIG. 6



FIG. 7

