



US00D878289S

(12) **United States Design Patent**  
**Supron et al.**

(10) **Patent No.:** **US D878,289 S**  
(45) **Date of Patent:** **\*\* Mar. 17, 2020**

(54) **BATTERY**

(71) Applicant: **Maidbot, Inc.**, Austin, TX (US)

(72) Inventors: **Steven A. Supron**, Ithaca, NY (US);  
**David Moroniti**, Austin, TX (US);  
**Steven Whitehead**, Austin, TX (US);  
**Micah Estis Green**, Austin, TX (US)

(73) Assignee: **Maidbot, Inc.**, Austin, TX (US)

(\*\*) Term: **15 Years**

(21) Appl. No.: **29/645,686**

(22) Filed: **Apr. 27, 2018**

(51) **LOC (12) Cl.** ..... **13-02**

(52) **U.S. Cl.**  
USPC ..... **D13/103**

(58) **Field of Classification Search**

USPC ..... D13/103-110, 118, 119, 184, 199;  
D14/251, 253, 432, 434

CPC ..... Y02E 60/10; Y02E 60/12; Y02E 60/122;  
Y02E 60/124; Y02E 60/50; H01M 2/02;  
H01M 2/022; H01M 2/0202; H01M  
2/0207; H01M 2/0212; H01M 2/1061;  
H01M 2/1022; H01M 2/1055; H01M  
2/1066; H01M 2/105; H01M 2/20; H01M  
2/202; H01M 2/204; H01M 2/206; H01M  
10/44; H01M 10/46; H01M 10/465;  
H01M 10/482; H01M 2200/30; H01M  
2250/30; H01M 2250/40; H02J 7/00;  
H02J 7/0003; H02J 7/0011; H02J 7/0013;  
H02J 7/0054; H02J 7/0055; H02J 7/0057;  
H02J 2007/0062

See application file for complete search history.

(56) **References Cited**

U.S. PATENT DOCUMENTS

D756,913	S	*	5/2016	Esses	.....	D13/107
D765,592	S	*	9/2016	Friend	.....	D13/103
D772,185	S	*	11/2016	Moninski	.....	D13/184
D844,556	S	*	4/2019	Irfan	.....	D13/103
D844,561	S	*	4/2019	Gou	.....	D13/110
D850,366	S	*	6/2019	Zou	.....	D13/108
D861,596	S	*	10/2019	Oliver	.....	D13/107

\* cited by examiner

*Primary Examiner* — Rosemary K Tarcza

*Assistant Examiner* — Christy M Nemeth

(74) *Attorney, Agent, or Firm* — Fenwick & West LLP

(57) **CLAIM**

The ornamental design for a battery, as shown and described.

**DESCRIPTION**

FIG. 1 is a front, top, and right side perspective view of a battery;

FIG. 2 is a rear, bottom, and left side view thereof;

FIG. 3 is a front elevational view thereof;

FIG. 4 is a rear elevational view thereof;

FIG. 5 is a top plan view thereof;

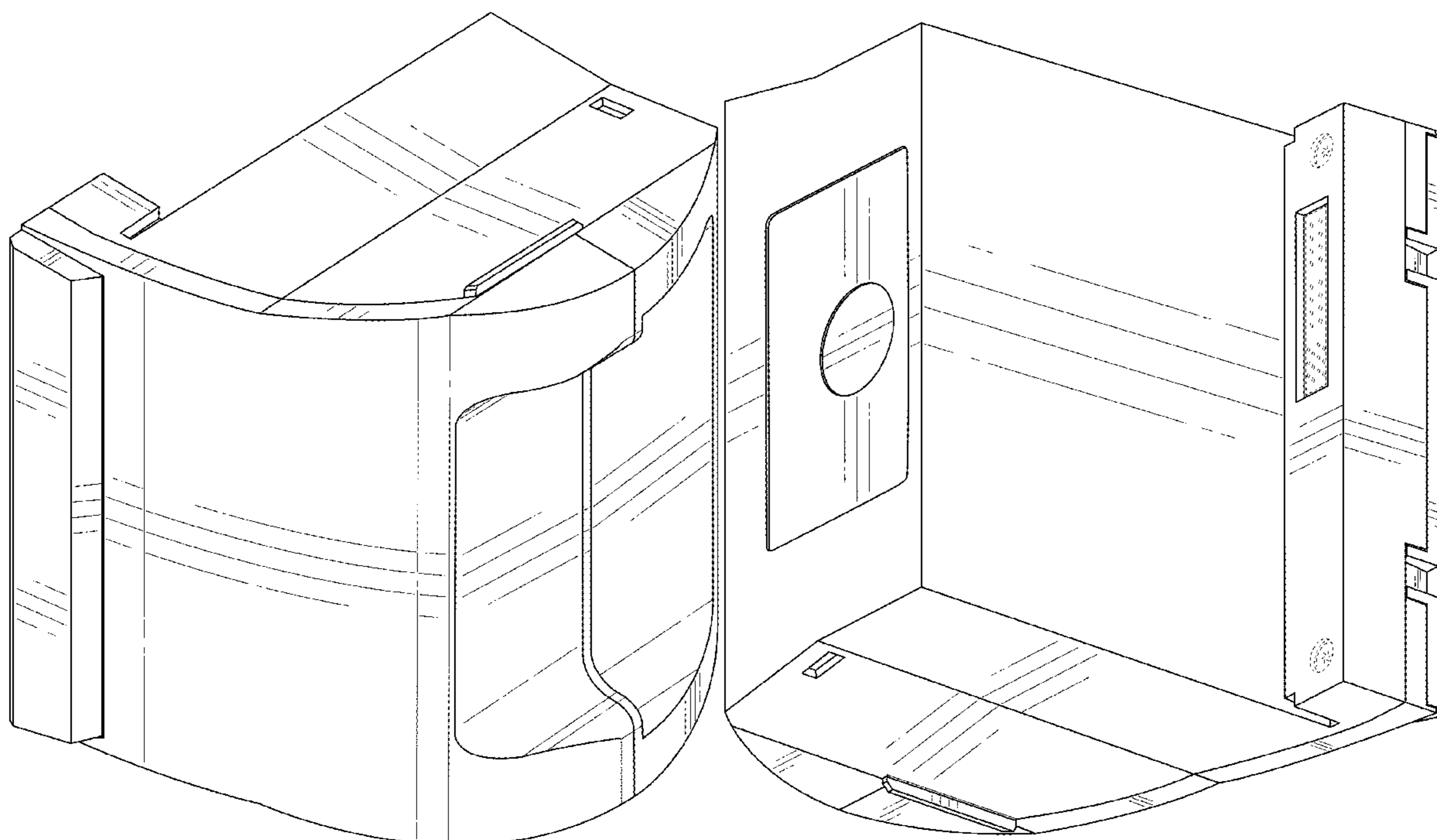
FIG. 6 is a bottom plan view thereof;

FIG. 7 is a right side elevational view thereof; and,

FIG. 8 is a left side elevational view thereof.

The broken lines in the drawings showing portions of the battery are included for the purpose of illustrating environmental structure and form no part of the claimed design.

**1 Claim, 8 Drawing Sheets**



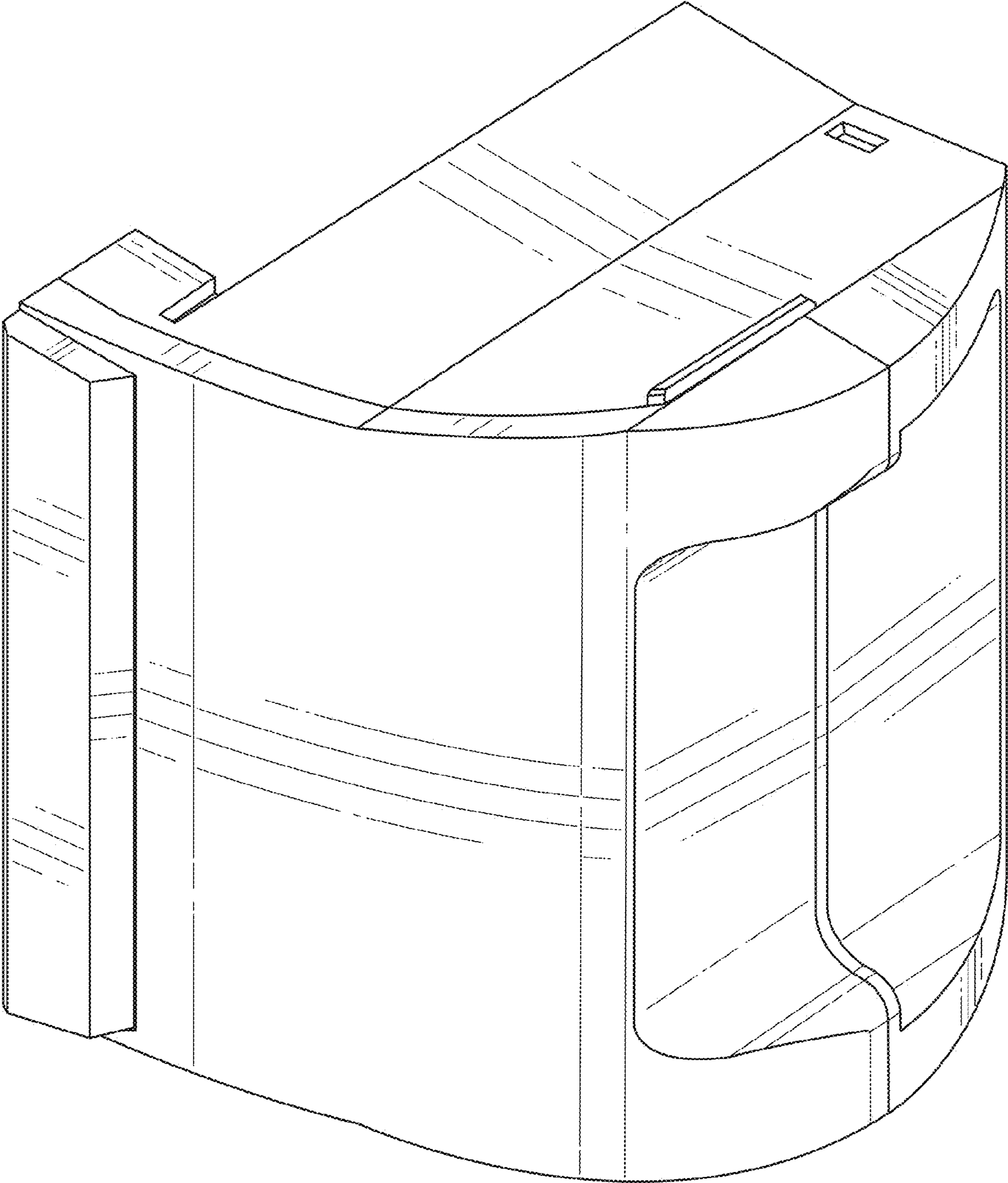


FIG. 1

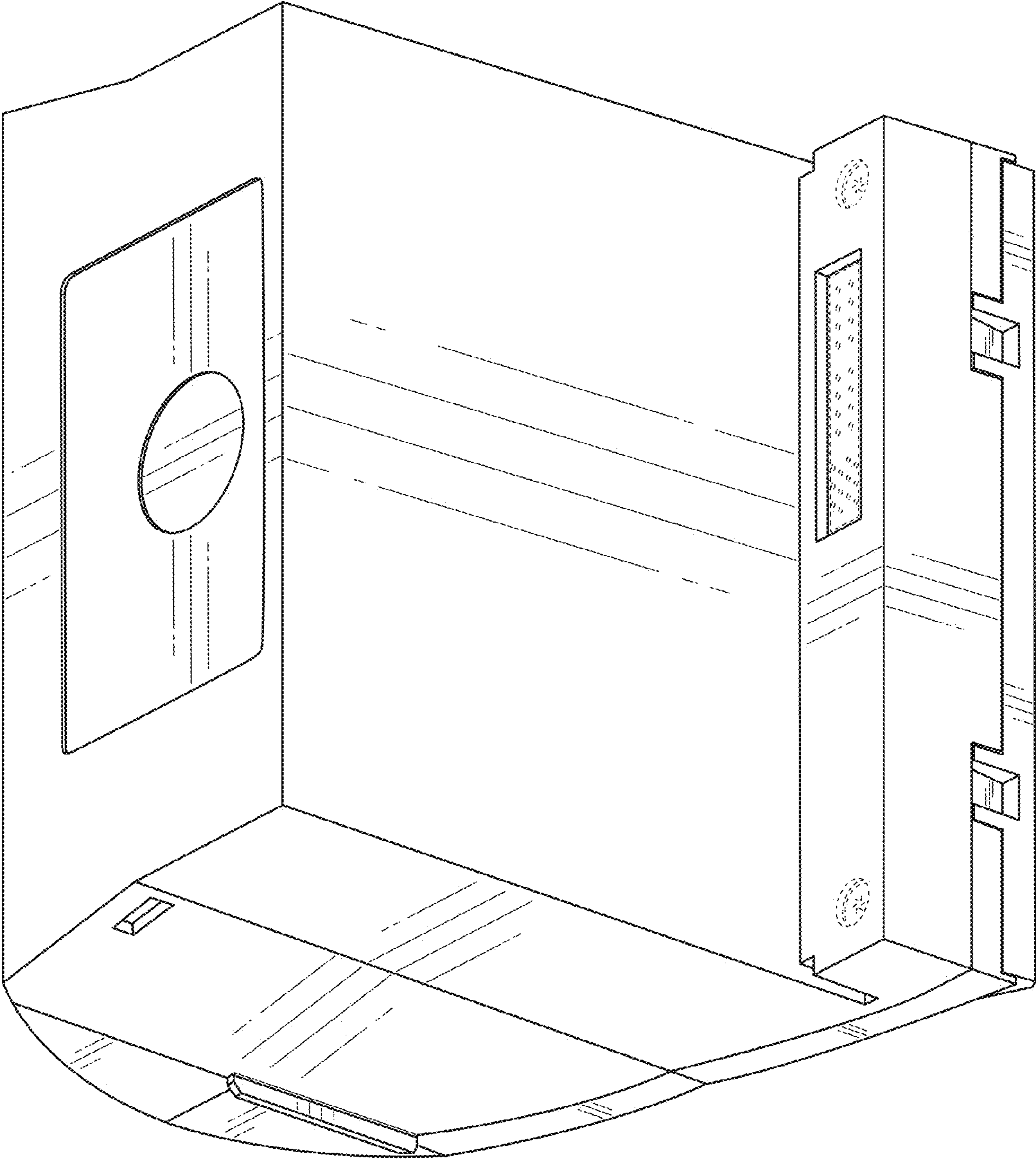


FIG. 2

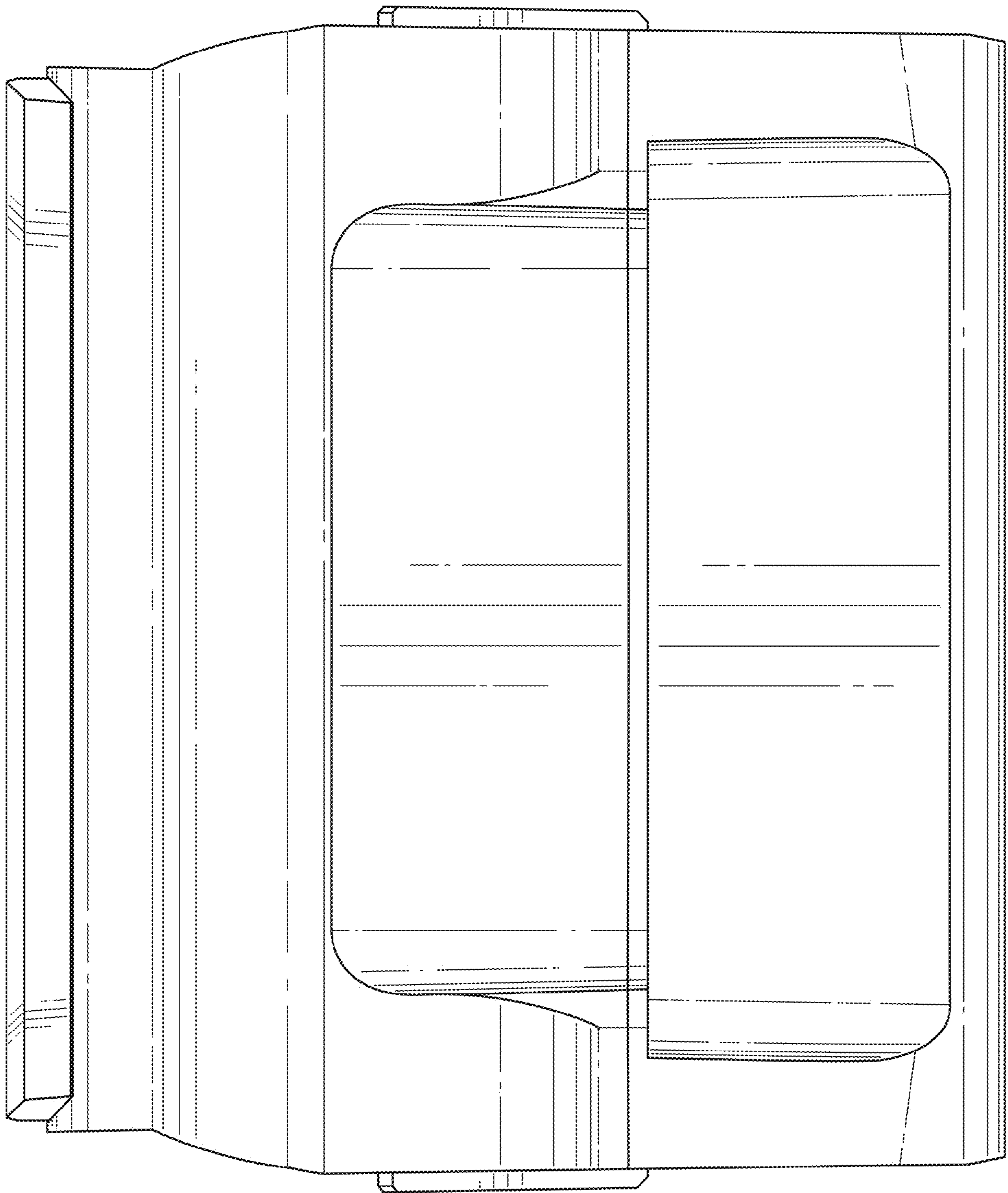


FIG. 3

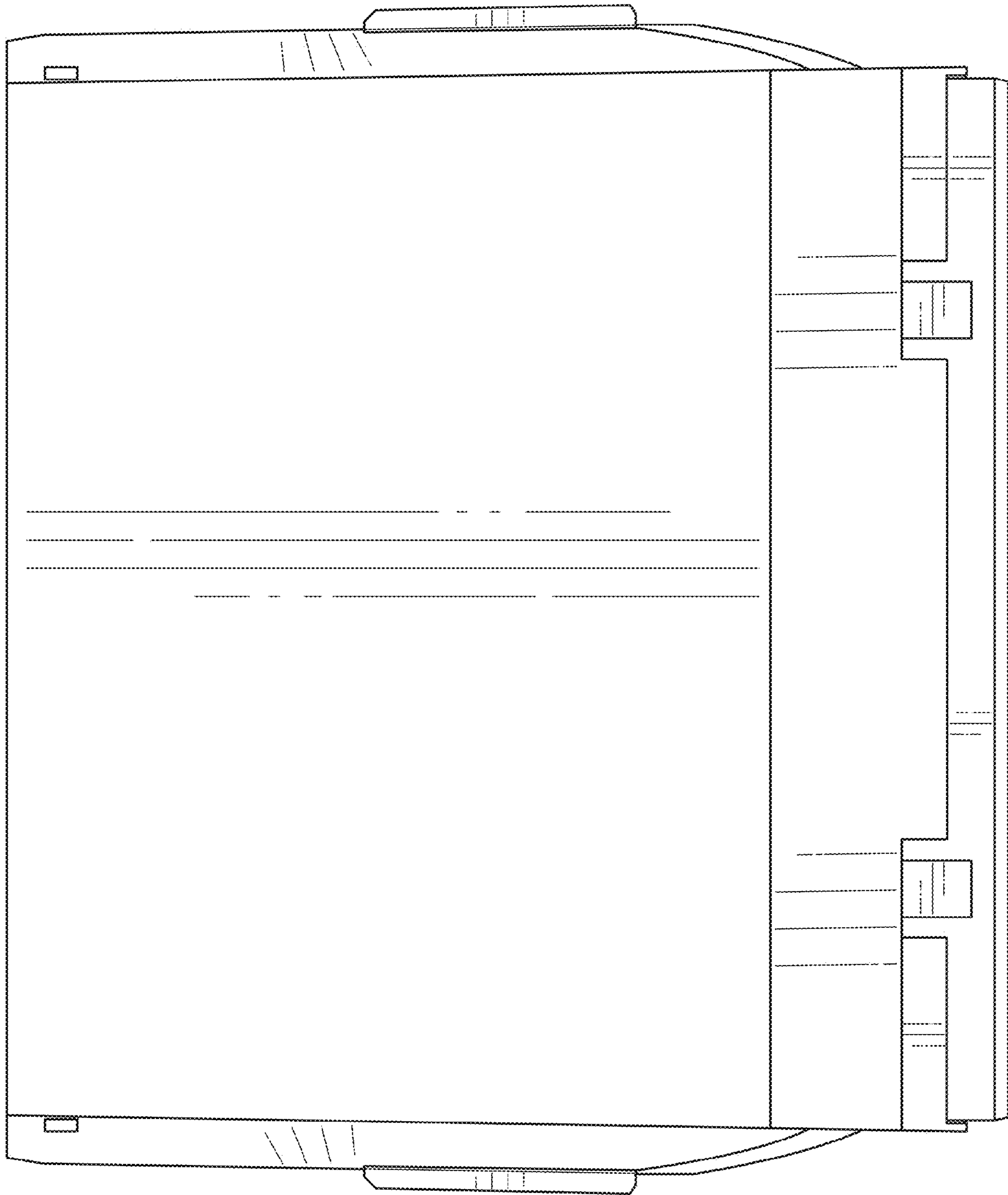


FIG. 4

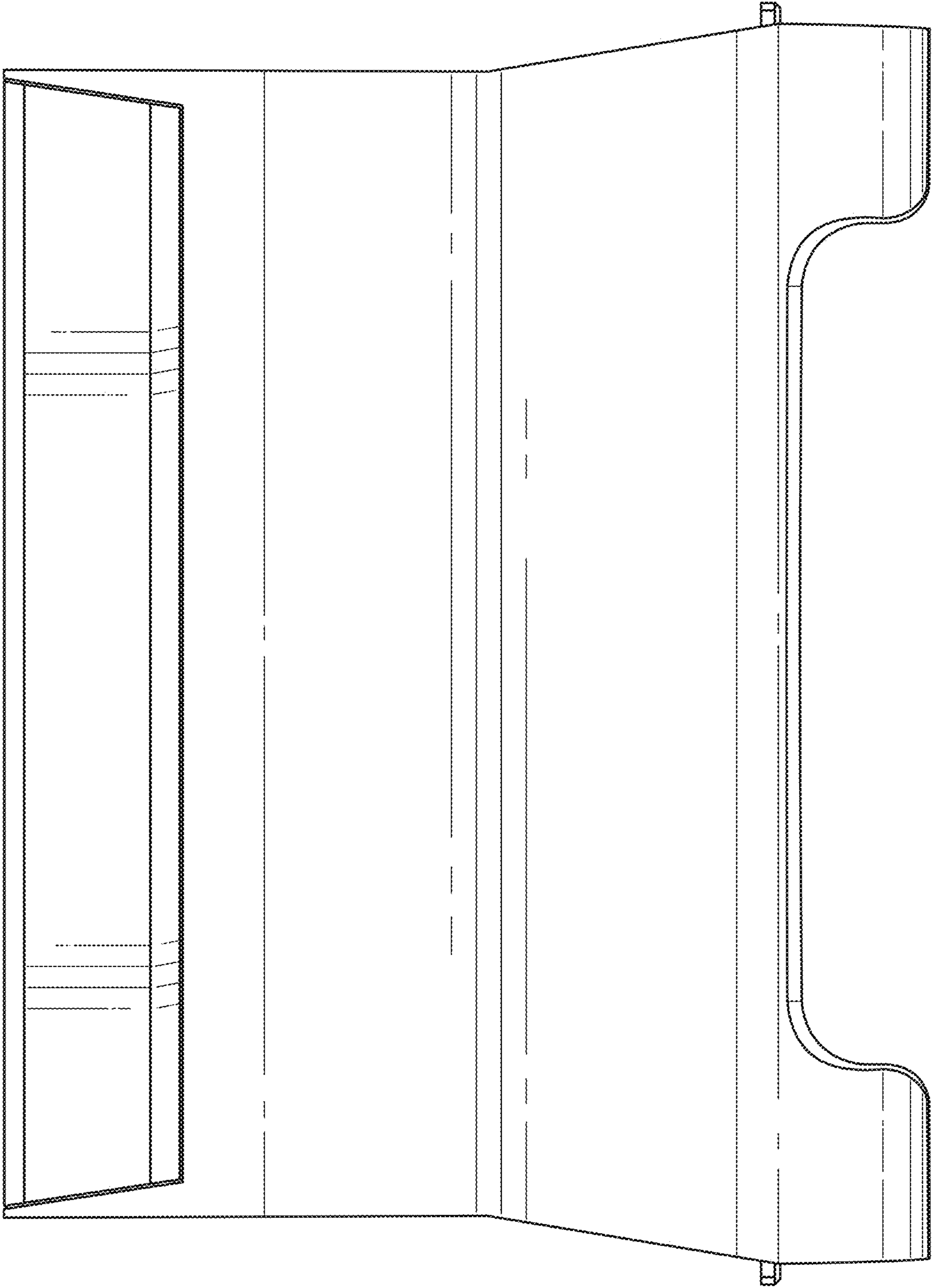


FIG. 5

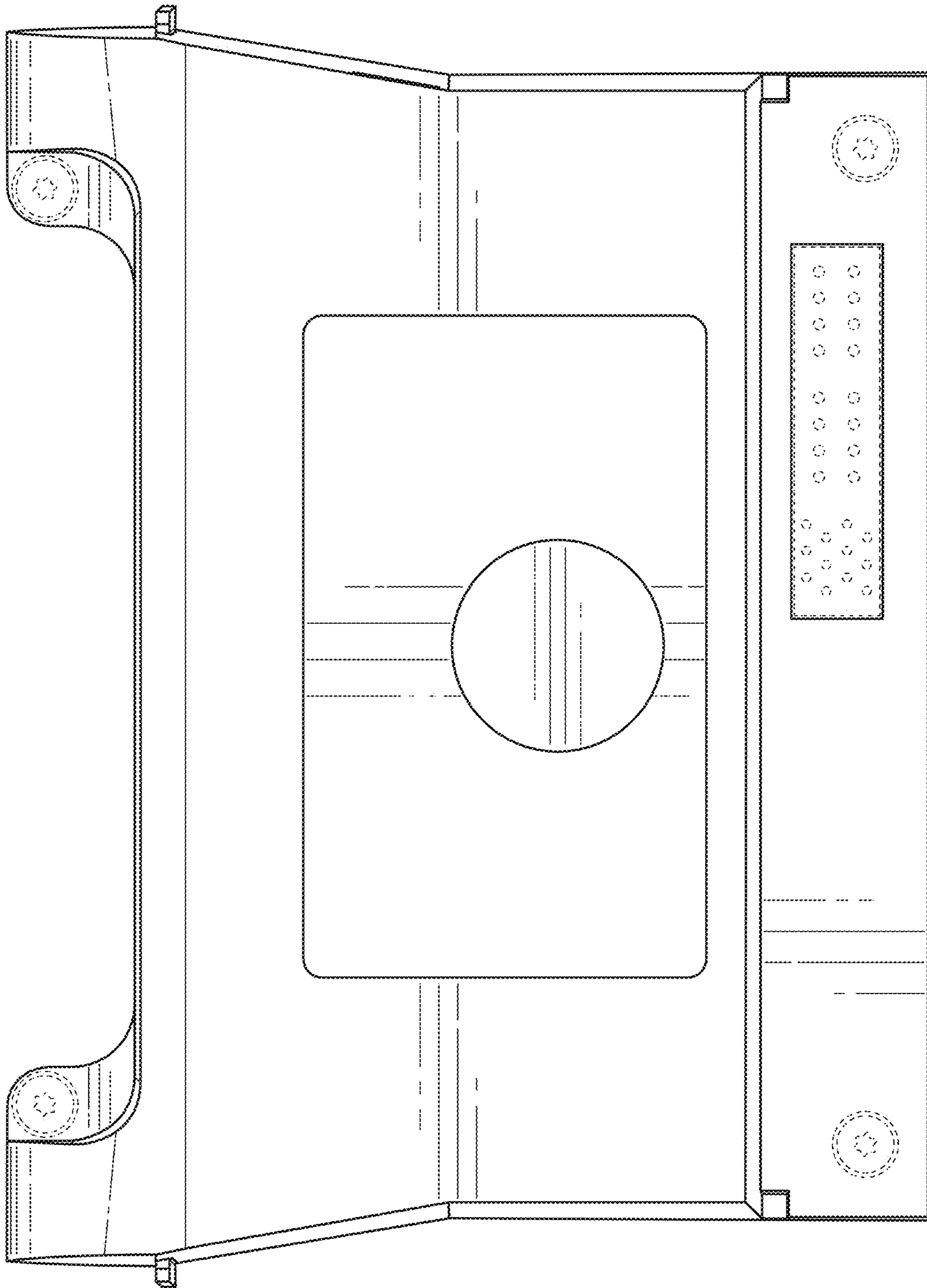


FIG. 6

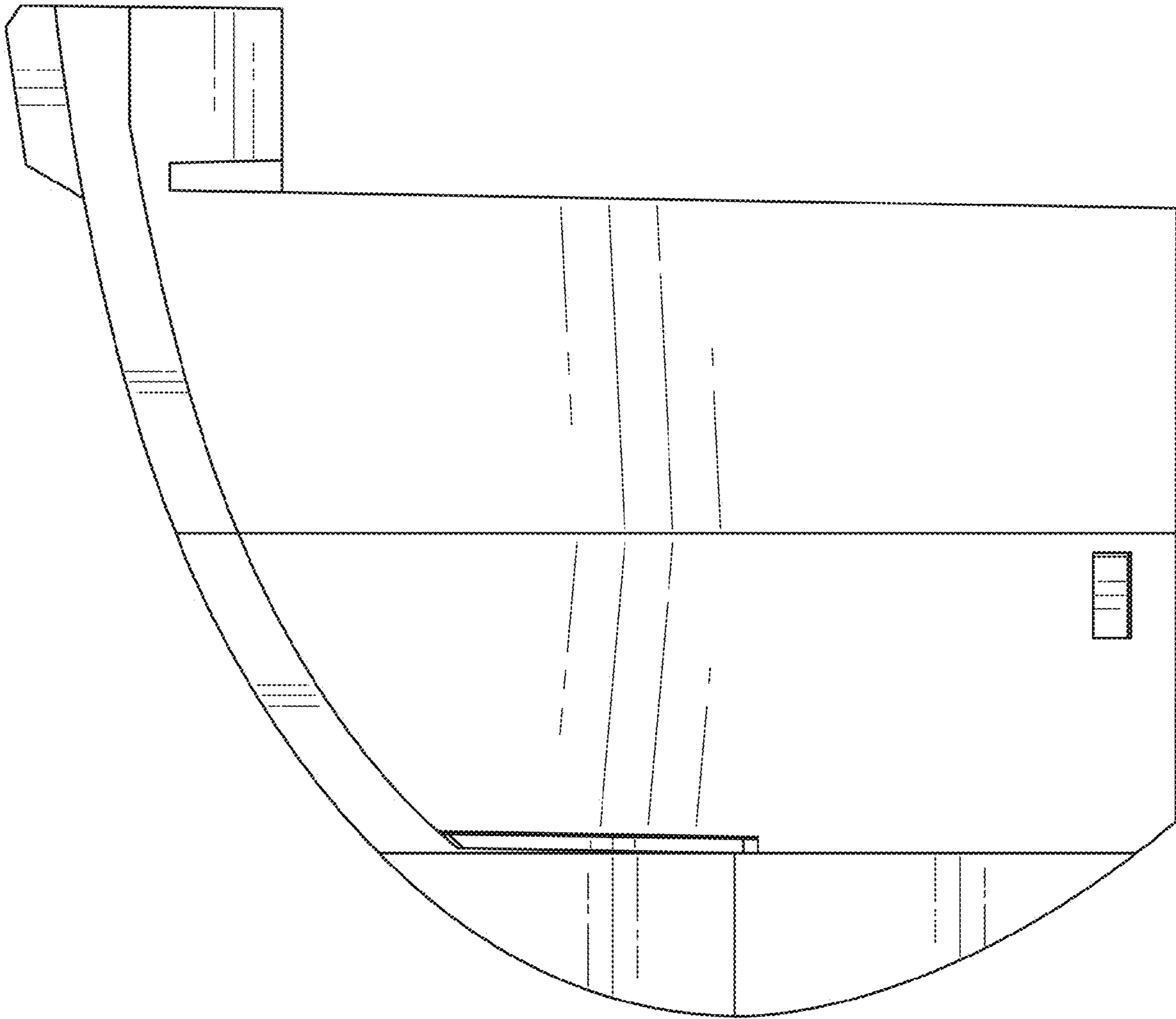


FIG. 7



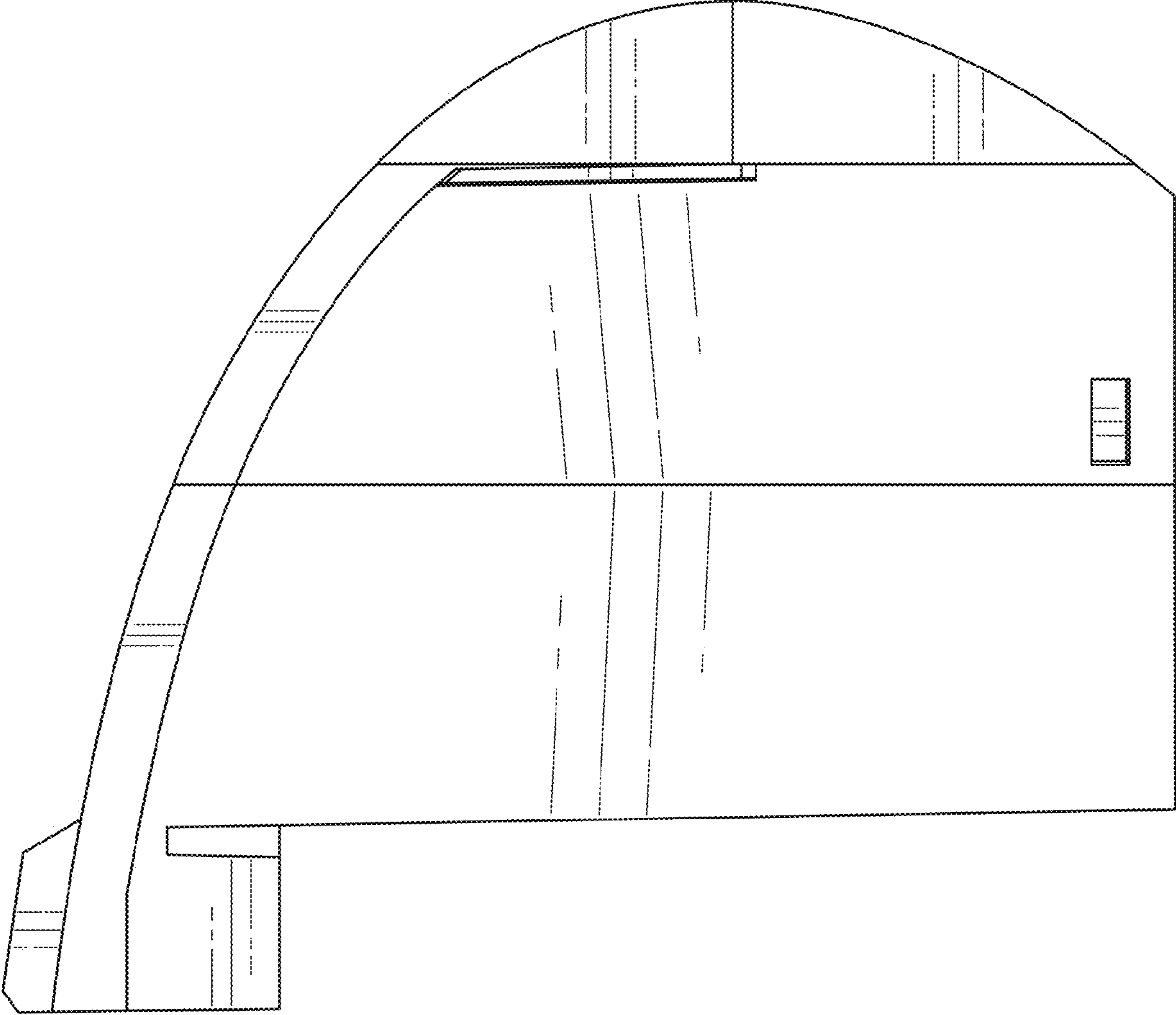


FIG. 8