



US00D878287S

(12) **United States Design Patent**  
**Shi**

(10) **Patent No.:** **US D878,287 S**

(45) **Date of Patent:** **\*\* Mar. 17, 2020**

- (54) **SOLAR MOLE REPELLER**
- (71) Applicant: **Hangzhou Shinedo Technology Co., Ltd.**, Hangzhou (CN)
- (72) Inventor: **Yinxiao Shi**, Hangzhou (CN)
- (73) Assignee: **Hangzhou Shinedo Technology Co., Ltd.**, Hangzhou (CN)

- D645,114 S \* 9/2011 Krause ..... D22/120
- D688,621 S \* 8/2013 Mozzardi ..... D13/102
- D697,164 S 1/2014 Jan
- 8,755,251 B1 \* 6/2014 Jan ..... A01M 29/16  
367/139
- D823,424 S \* 7/2018 Wang ..... D22/120
- D823,425 S 7/2018 Wang
- D834,515 S \* 11/2018 Zhang ..... D13/102

- (\*\*) Term: **15 Years**
- (21) Appl. No.: **29/709,843**
- (22) Filed: **Oct. 17, 2019**

(30) **Foreign Application Priority Data**

- Jun. 10, 2019 (CN) ..... 2019 3 0295313
- (51) **LOC (12) Cl.** ..... **13-02**
- (52) **U.S. Cl.**  
USPC ..... **D13/102; D22/120**
- (58) **Field of Classification Search**  
USPC ..... D13/101, 102, 110, 199; D22/119, 120;  
D26/68  
CPC ..... A01K 15/023; A01M 29/16; A01M 29/18  
See application file for complete search history.

(56) **References Cited**

**U.S. PATENT DOCUMENTS**

- D555,278 S \* 11/2007 Sanoner ..... D26/68
- D583,900 S 12/2008 Krause
- D585,956 S \* 2/2009 Mezger ..... D22/120
- D590,909 S 4/2009 Fembleaux
- D639,893 S 6/2011 Feuerstein

**OTHER PUBLICATIONS**

[https://www.amazon.com/Solar-Ultrasonic-Waterproof-Repellent-Multi-Changing/dp/B07VDNFX34/ref=cm\\_cr\\_arp\\_d\\_product\\_top?ie=UTF8](https://www.amazon.com/Solar-Ultrasonic-Waterproof-Repellent-Multi-Changing/dp/B07VDNFX34/ref=cm_cr_arp_d_product_top?ie=UTF8) Oct. 2019 (Year: 2019).\*

\* cited by examiner

*Primary Examiner* — Derrick E Holland  
(74) *Attorney, Agent, or Firm* — ScienBiziP, P.C.

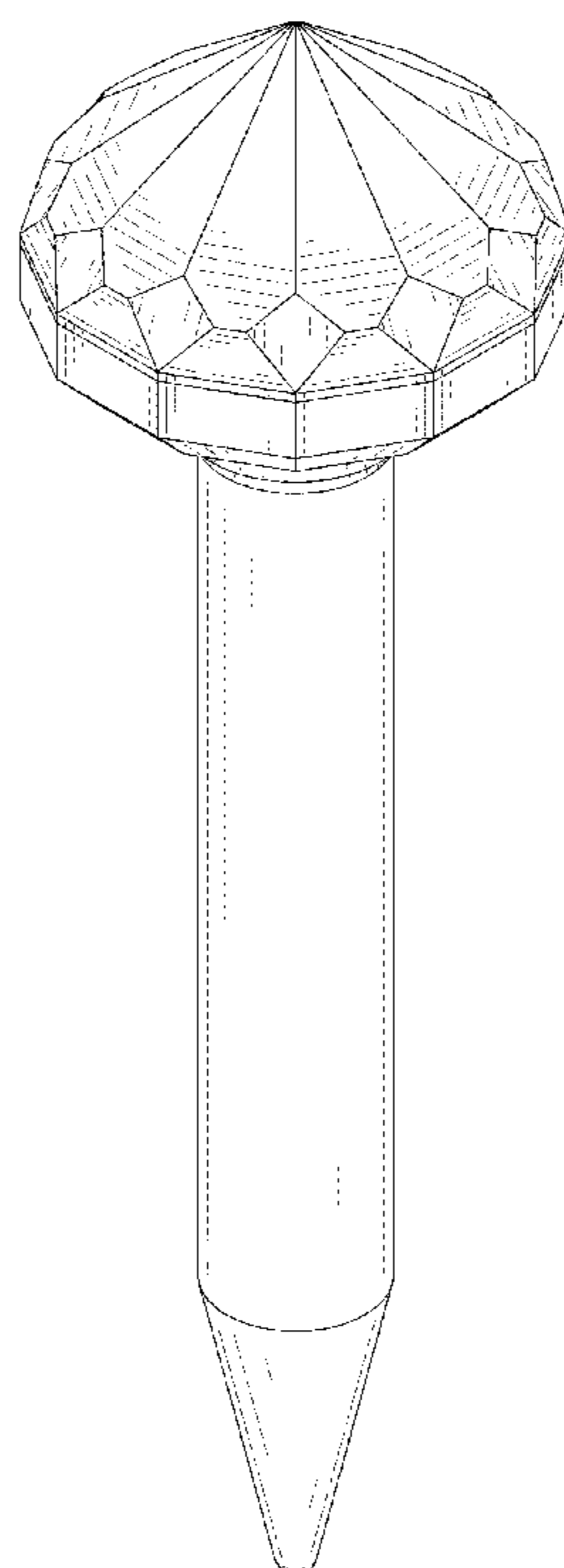
(57) **CLAIM**

The ornamental design for a solar mole repeller, as shown and described.

**DESCRIPTION**

FIG. 1 is a top, front perspective view of a solar mole repeller, showing my design.  
 FIG. 2 is a bottom, rear perspective view thereof.  
 FIG. 3 is a front elevation view thereof.  
 FIG. 4 is a rear elevation view thereof.  
 FIG. 5 is a left side elevation view thereof.  
 FIG. 6 is a right side elevation view thereof.  
 FIG. 7 is a top plan view thereof; and,  
 FIG. 8 is a bottom plan view thereof.  
 The details shown in broken lines form no part of the claimed design.

**1 Claim, 8 Drawing Sheets**



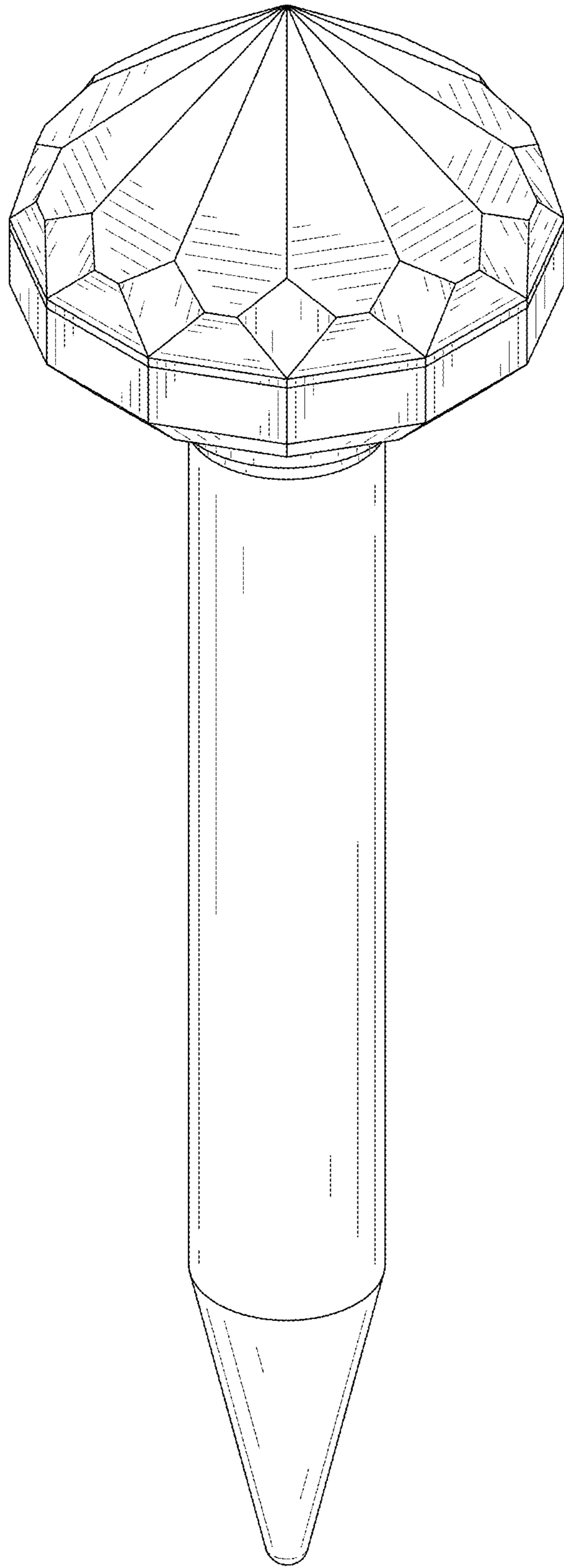


FIG. 1

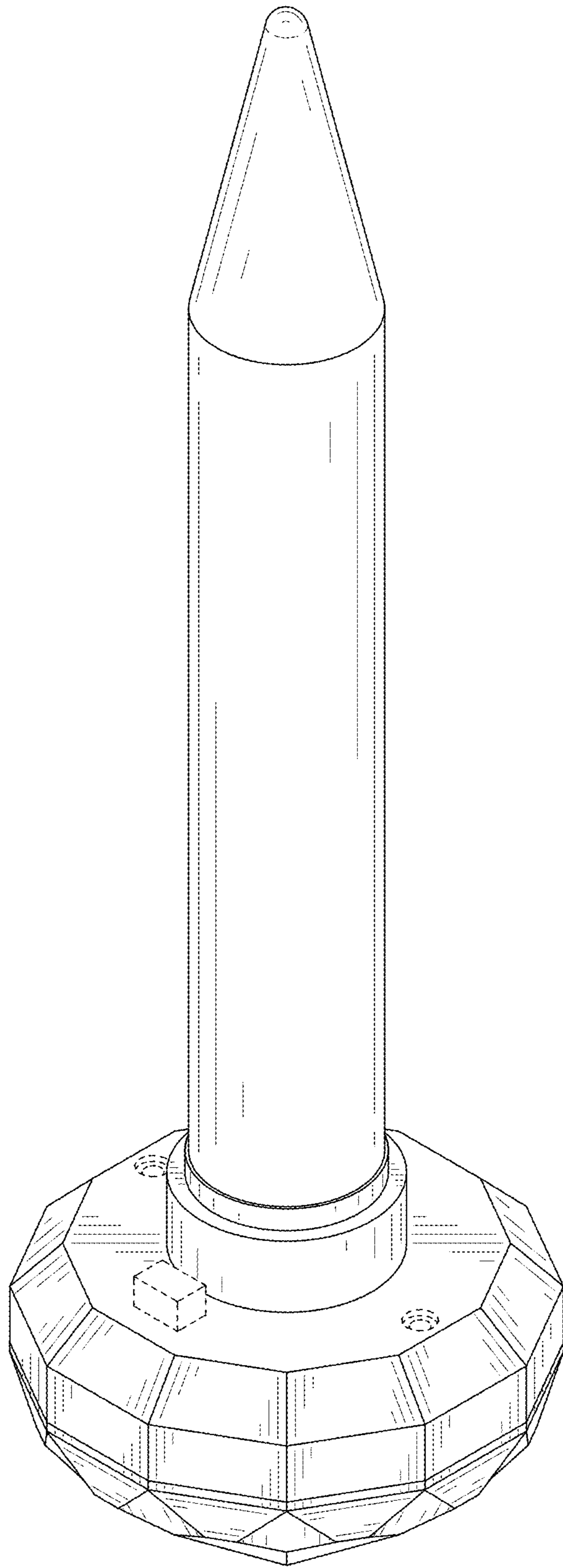


FIG. 2

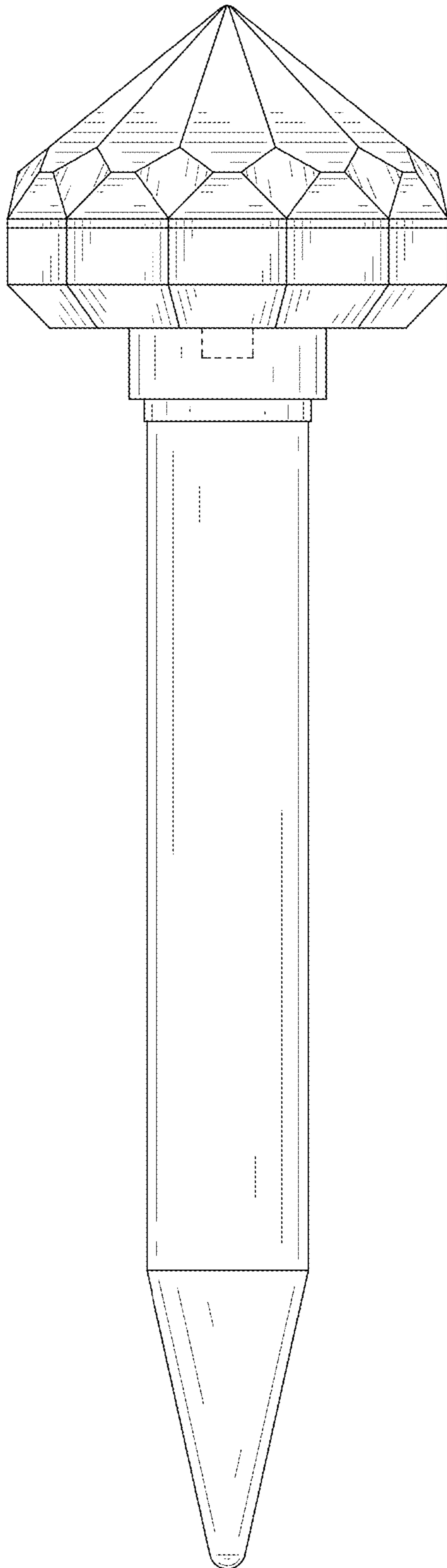


FIG. 3

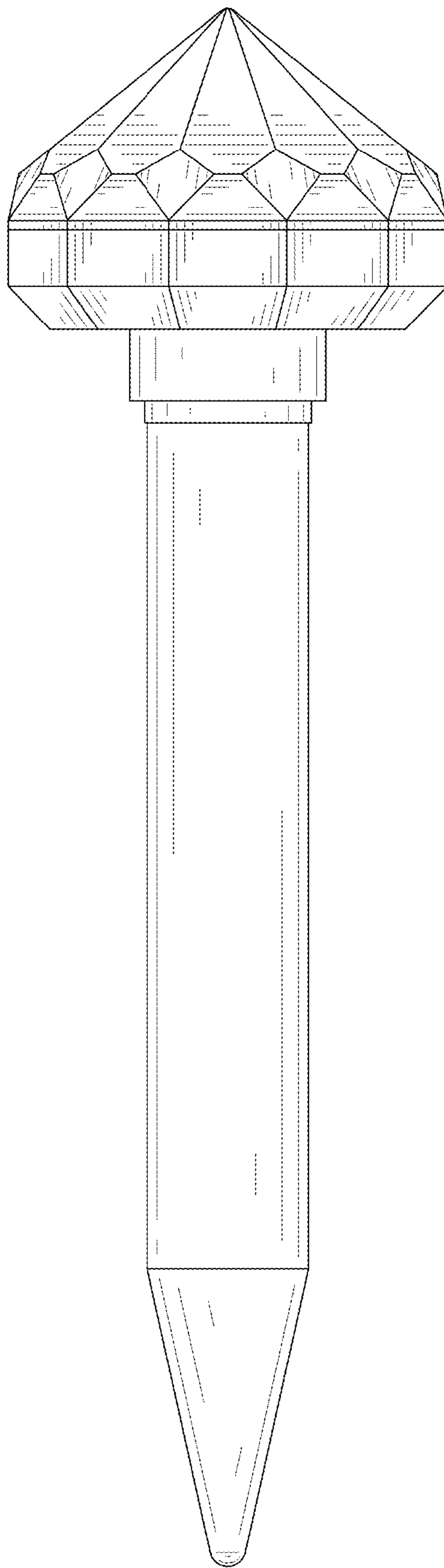


FIG. 4

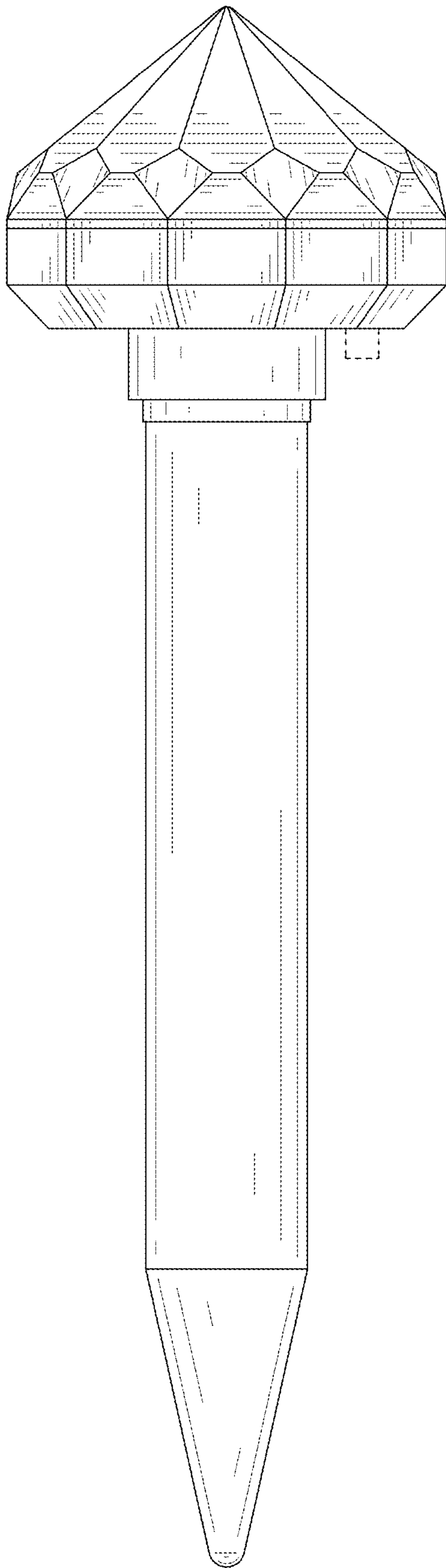


FIG. 5

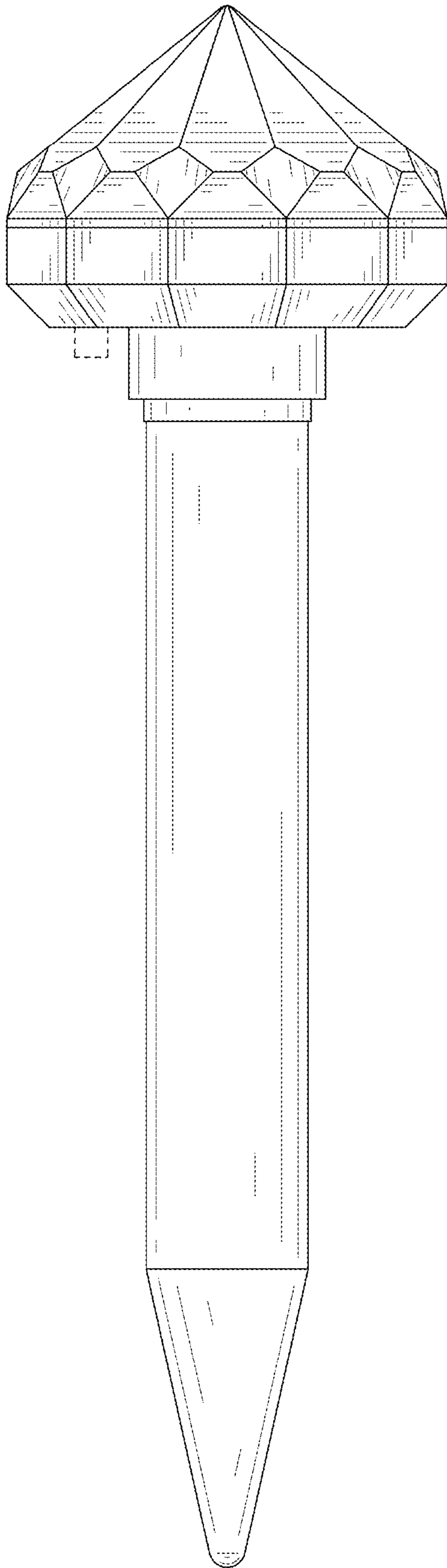


FIG. 6

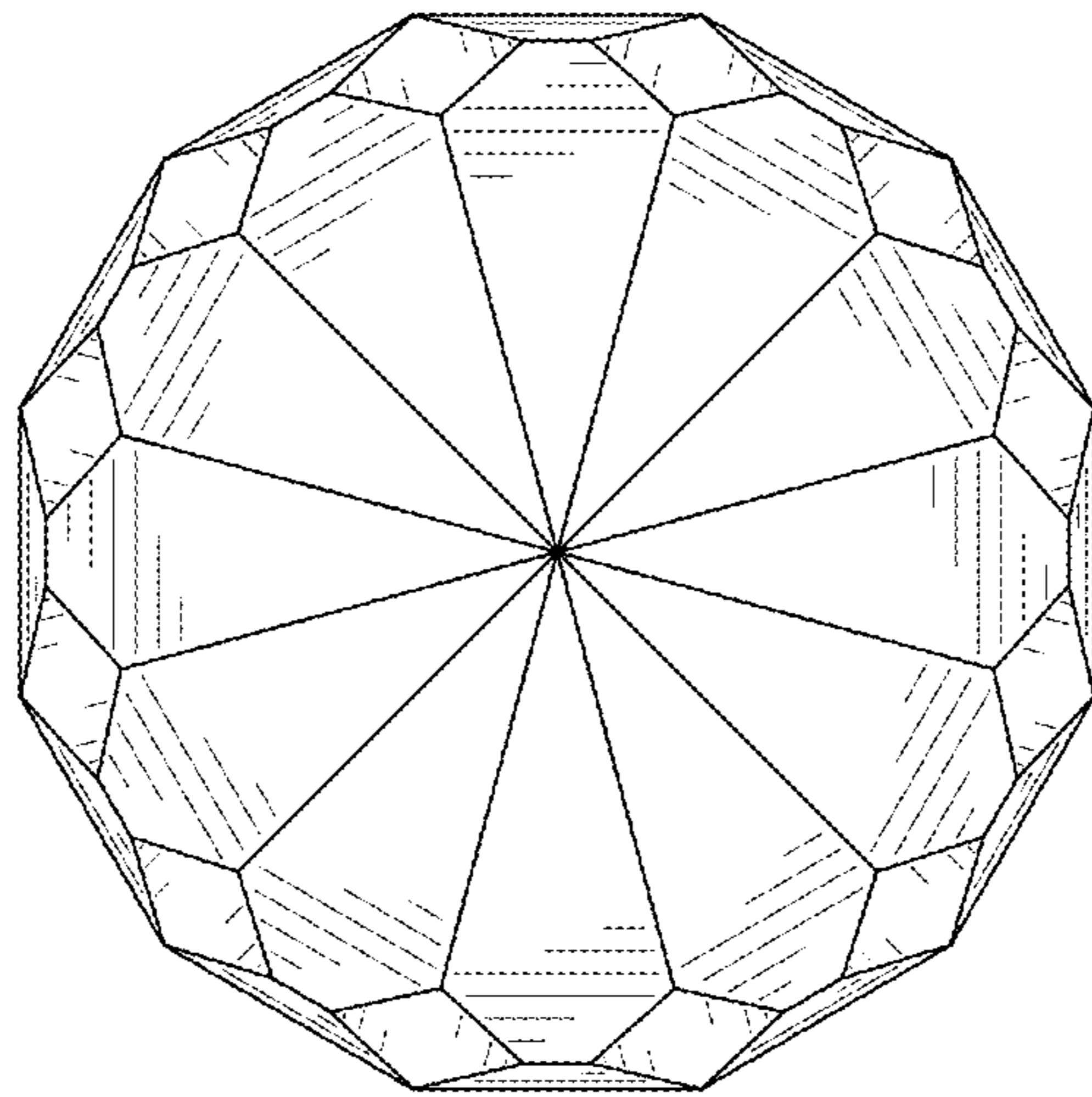


FIG. 7



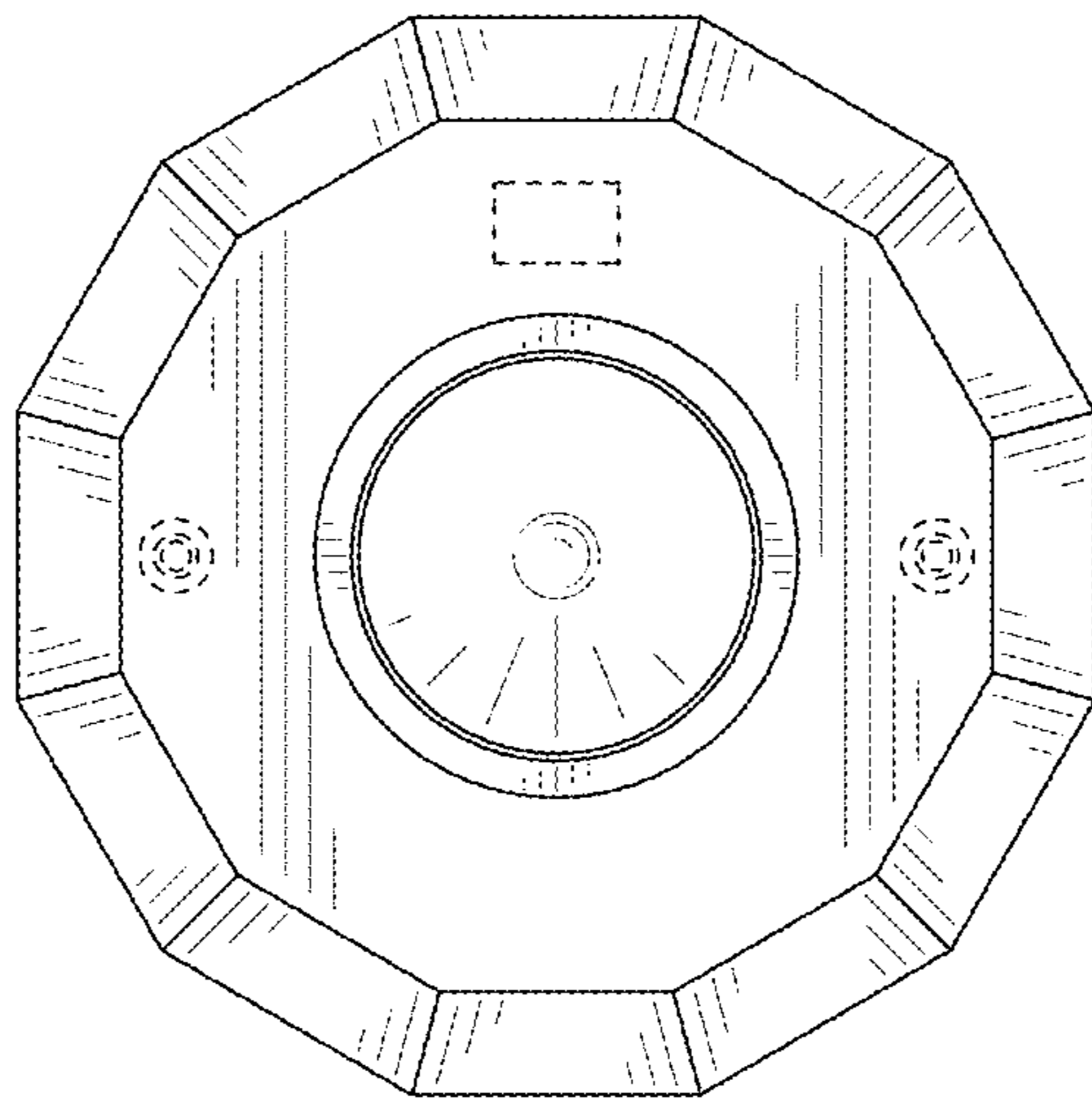


FIG. 8