



US00D878281S

(12) **United States Design Patent**  
**Marui**

(10) **Patent No.:** **US D878,281 S**

(45) **Date of Patent:** **\*\* Mar. 17, 2020**

(54) **TIRE TREAD**

(71) Applicant: **Shinji Marui**, Kobe (JP)

(72) Inventor: **Shinji Marui**, Kobe (JP)

(\*\*) Term: **15 Years**

(21) Appl. No.: **29/671,065**

(22) Filed: **Nov. 21, 2018**

(51) **LOC (12) Cl.** ..... **12-15**

(52) **U.S. Cl.**  
USPC ..... **D12/536**

(58) **Field of Classification Search**  
USPC ..... D12/533-567, 569-571, 604;  
D2/951-960

CPC ..... Y10T 152/10027; B60C 1/0016; B60C  
11/0306; B60C 11/0302; B60C 3/06;  
B60C 9/17

See application file for complete search history.

(56) **References Cited**

**U.S. PATENT DOCUMENTS**

D262,874 S *	2/1982	Mendiola .....	D12/569
D521,926 S *	5/2006	Matsumura .....	D12/536
D553,558 S *	10/2007	Sakakibara .....	D12/544
D583,301 S *	12/2008	Ohigashi .....	D12/512
D584,678 S *	1/2009	Sueishi .....	D12/536
D591,219 S *	4/2009	Ohigashi .....	D12/544
D670,233 S *	11/2012	Hikita .....	D12/536
D678,180 S *	3/2013	Hikita .....	D12/536

D713,327 S *	9/2014	Larregain .....	D12/536
D746,762 S *	1/2016	Sueishi .....	D12/536
D856,903 S *	8/2019	Miwa .....	D12/536
2018/0009268 A1 *	1/2018	Marui .....	B60C 11/11
2019/0126689 A1 *	5/2019	Marui .....	B60C 11/11

\* cited by examiner

*Primary Examiner* — Lakiya G Rogers

*Assistant Examiner* — John A Voytek

(74) *Attorney, Agent, or Firm* — Innovation Capital Law Group, LLP; Vic Lin

(57) **CLAIM**

The ornamental design for a tire tread, as shown and described.

**DESCRIPTION**

FIG. 1 is a front elevation view of a tire tread, of which the rear elevation, top plan and bottom plan are identical; FIG. 2 is a left elevation view thereof, of which the right elevation is identical;

FIG. 3 is a top perspective view thereof;

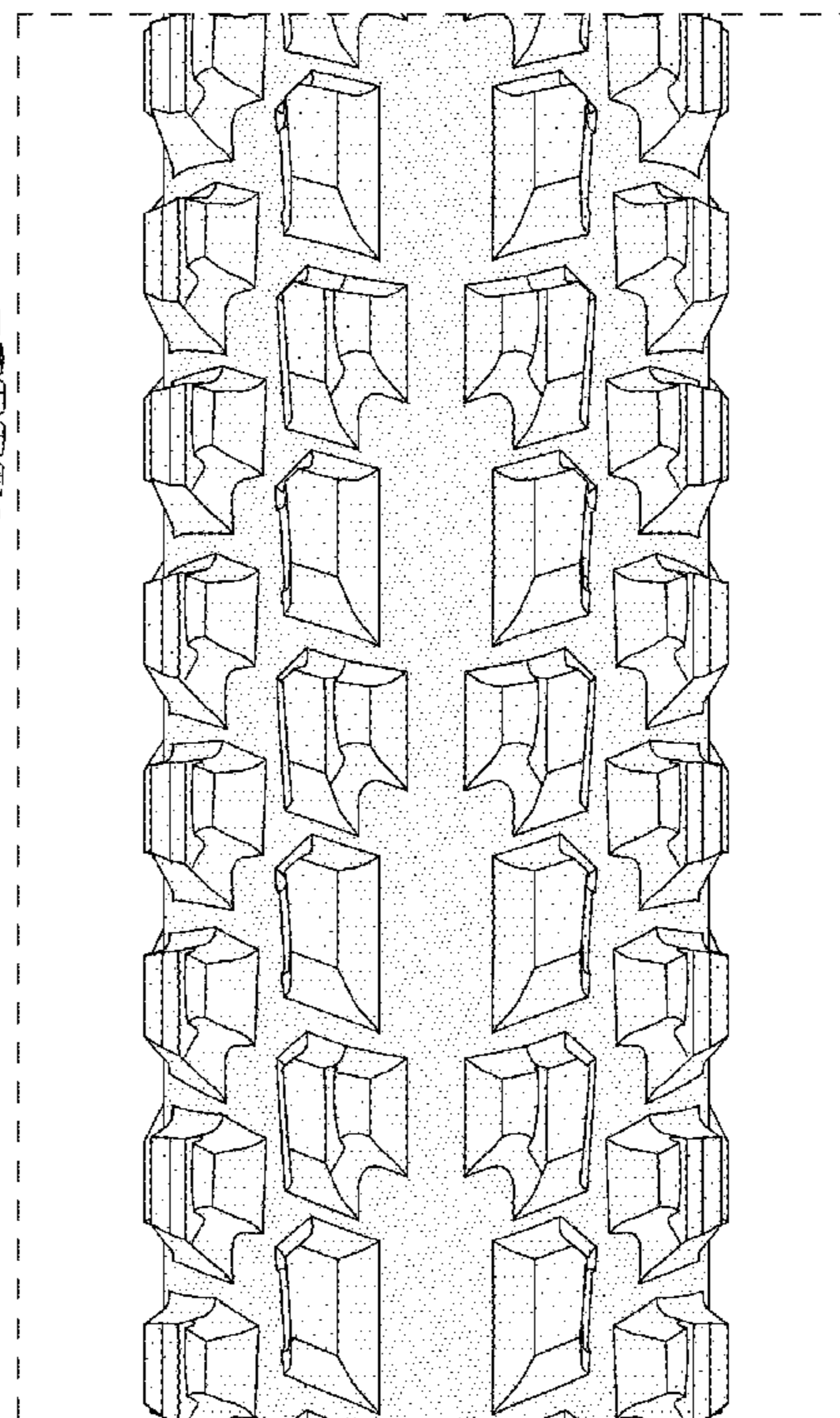
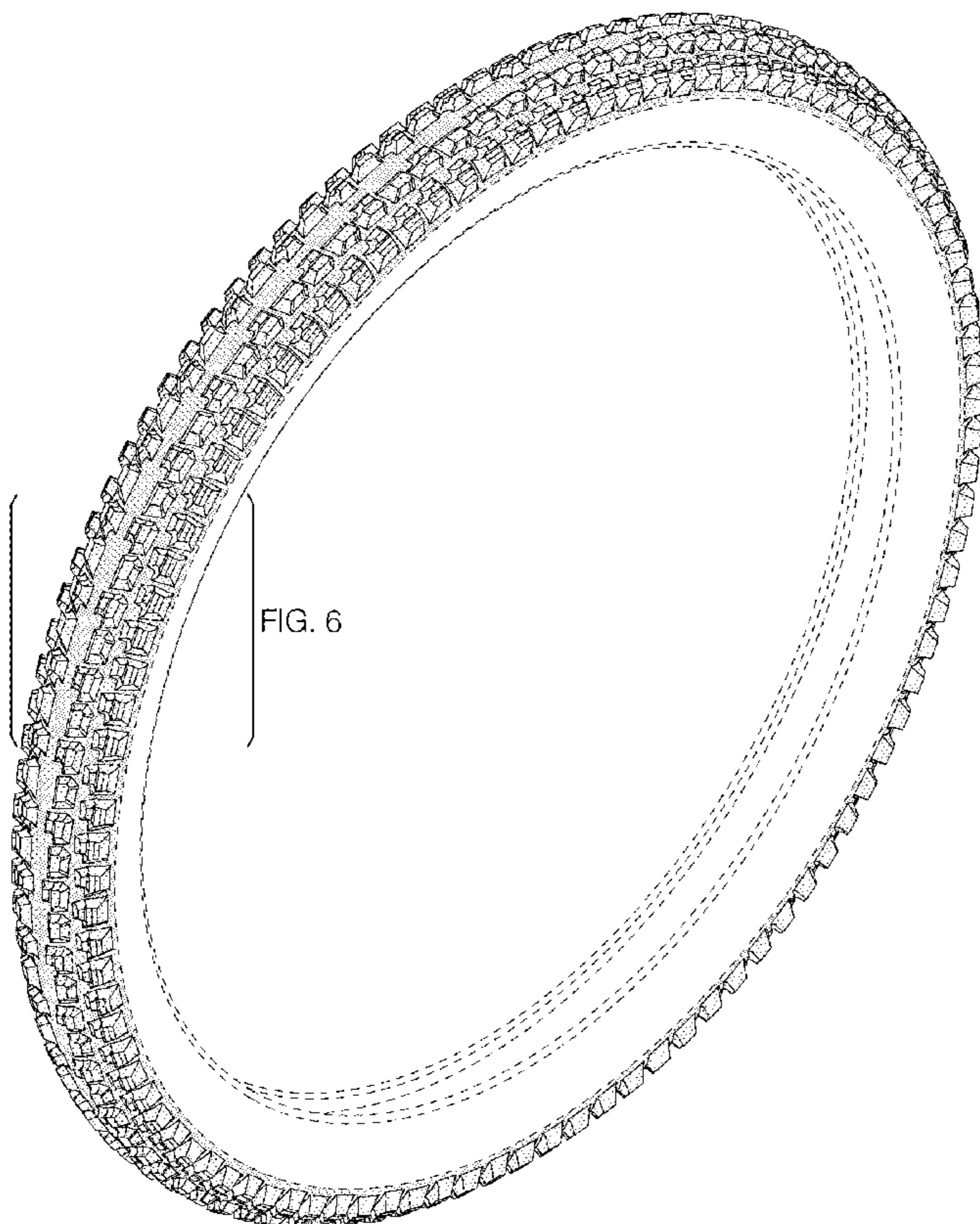
FIG. 4 is a close-up front elevation view thereof;

FIG. 5 is a close-up left elevation thereof; and,

FIG. 6 is a close-up top perspective view thereof.

The broken lines in the figures are for the purpose of illustrating unclaimed portions of the article and form no part of the claimed design.

**1 Claim, 6 Drawing Sheets**



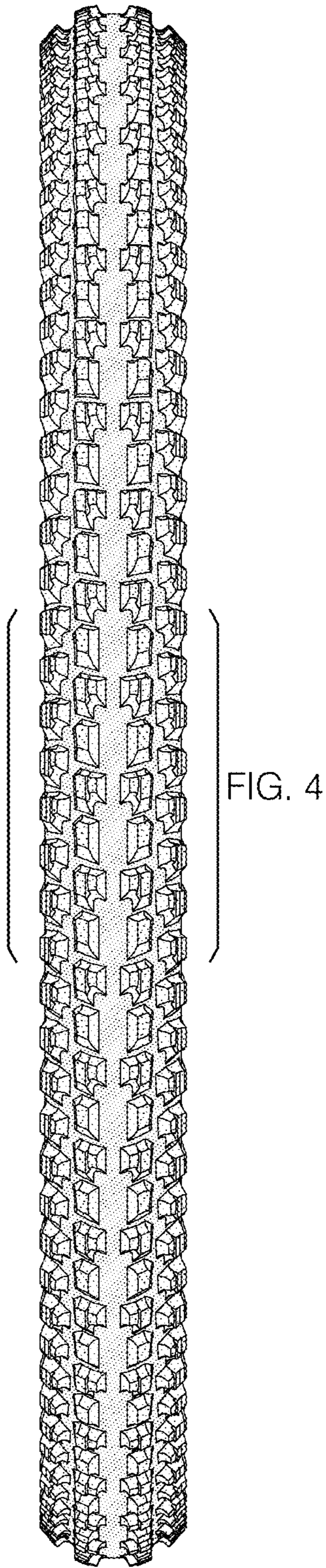


FIG. 1

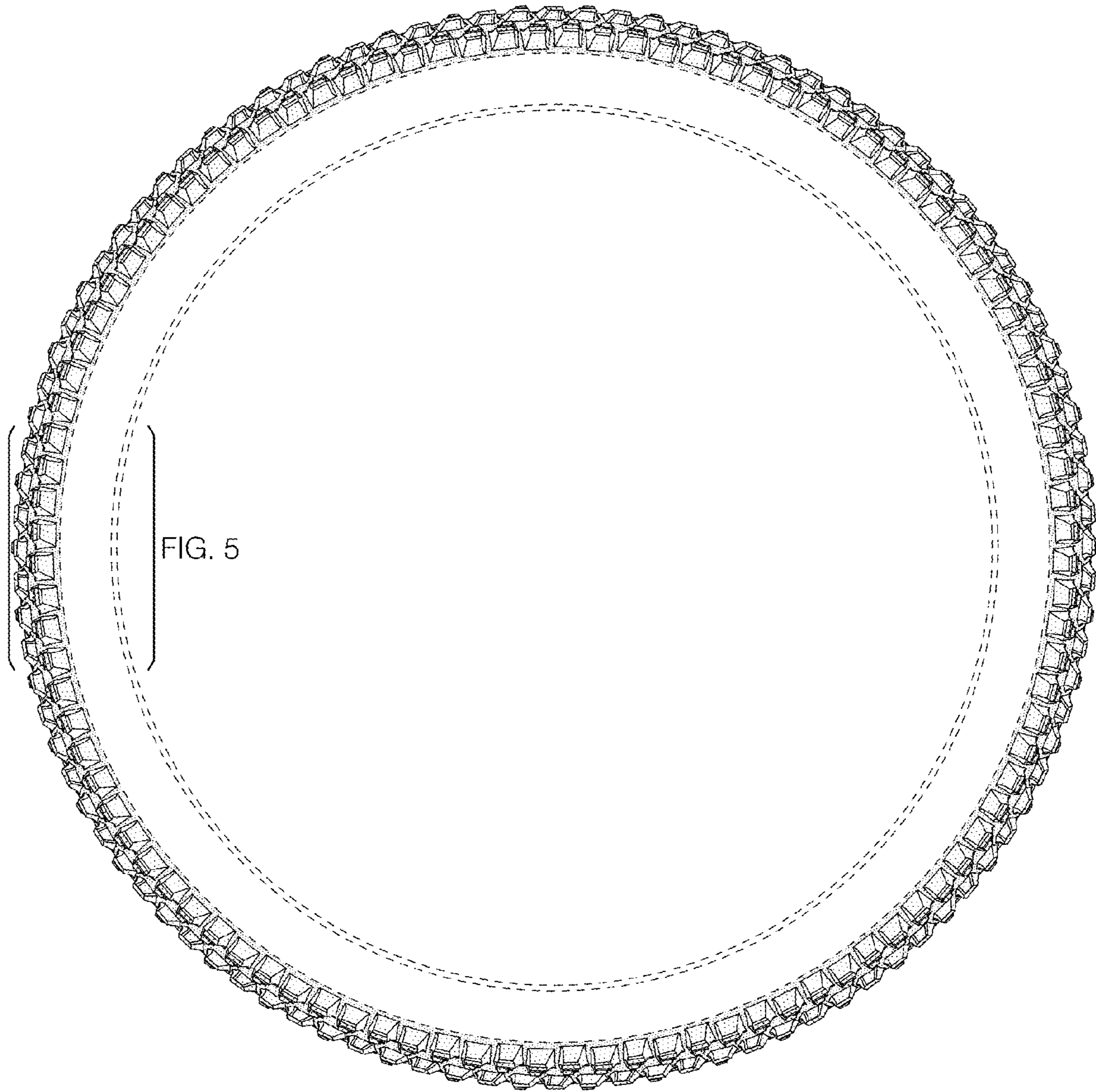


FIG. 2

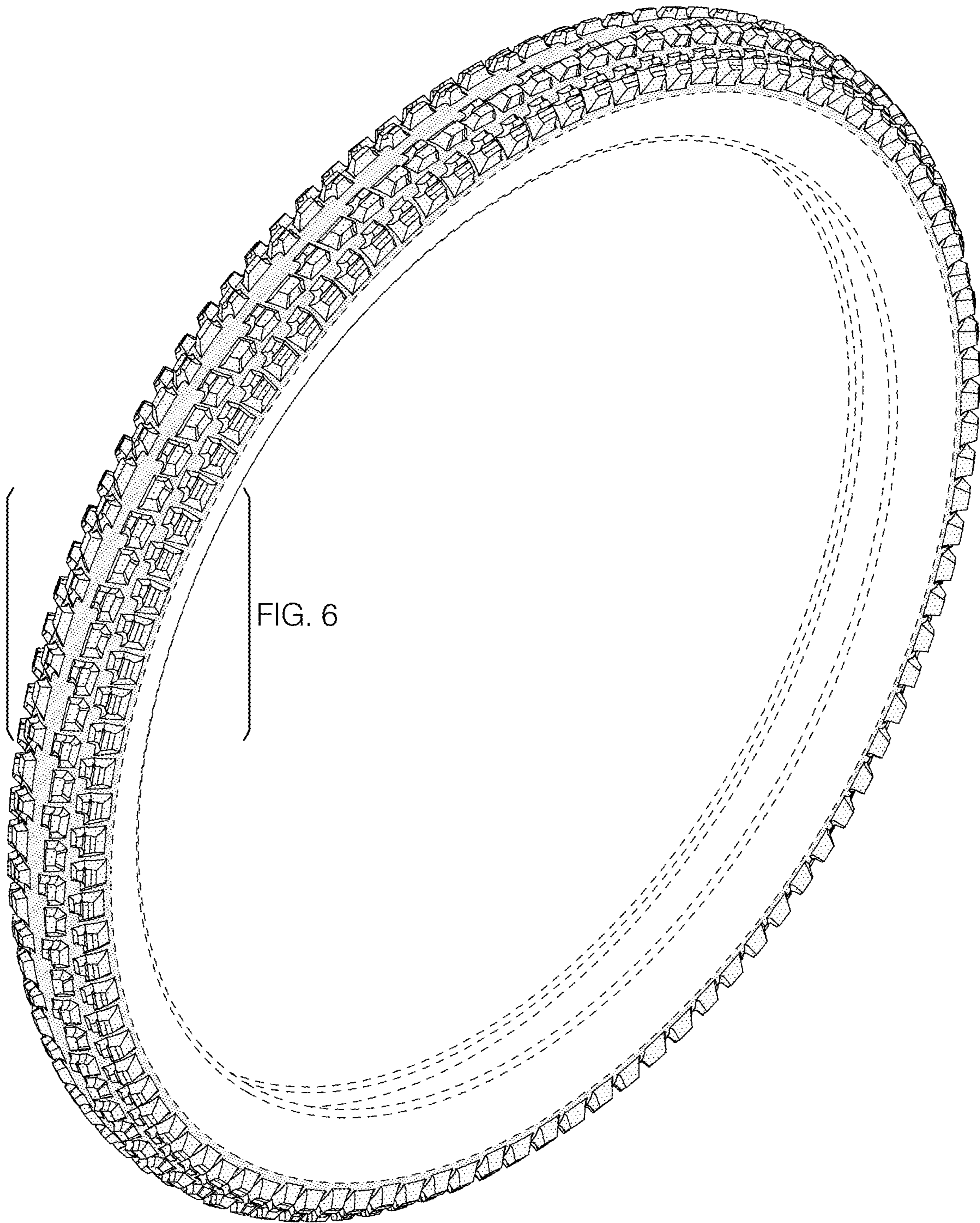


FIG. 3

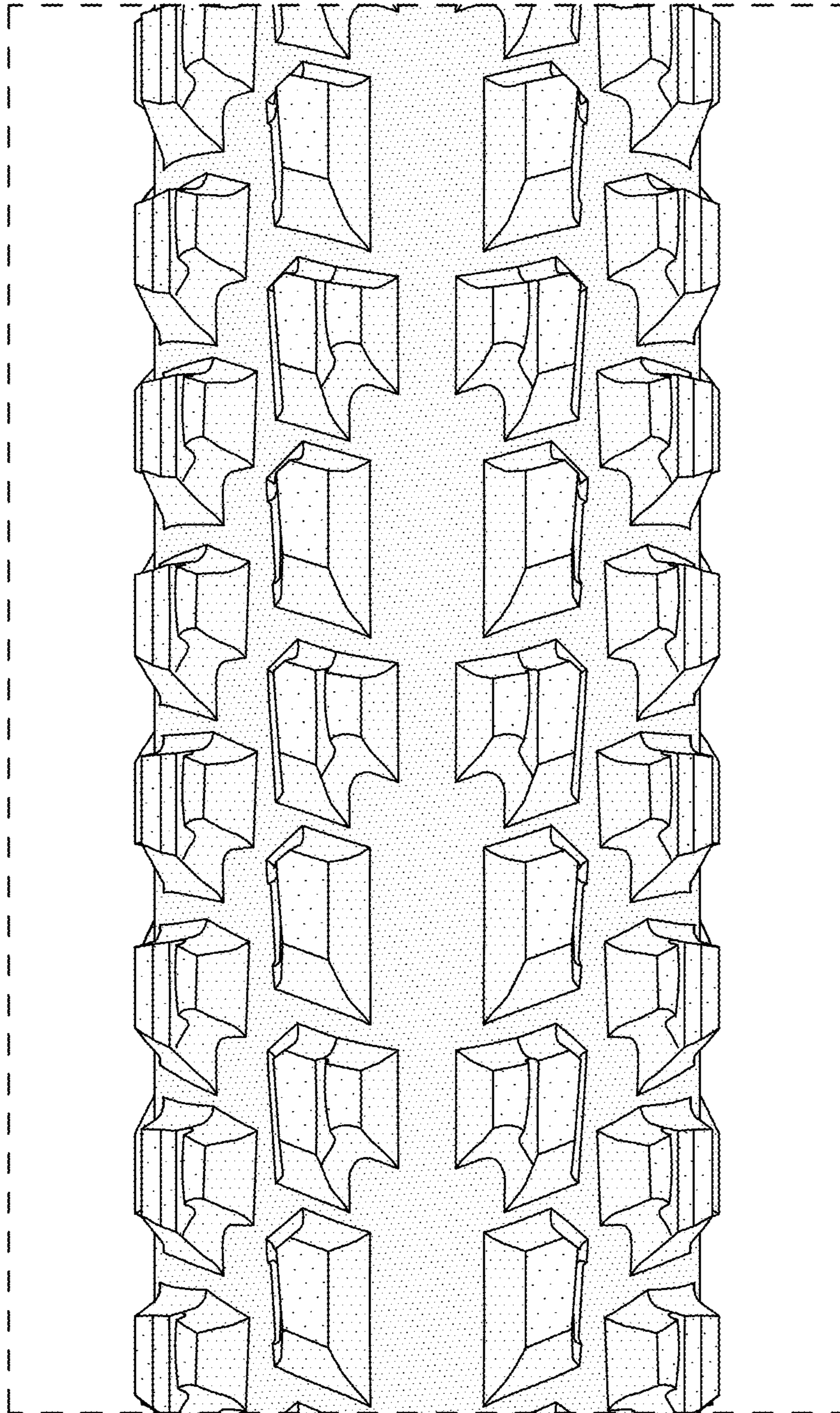


FIG. 4

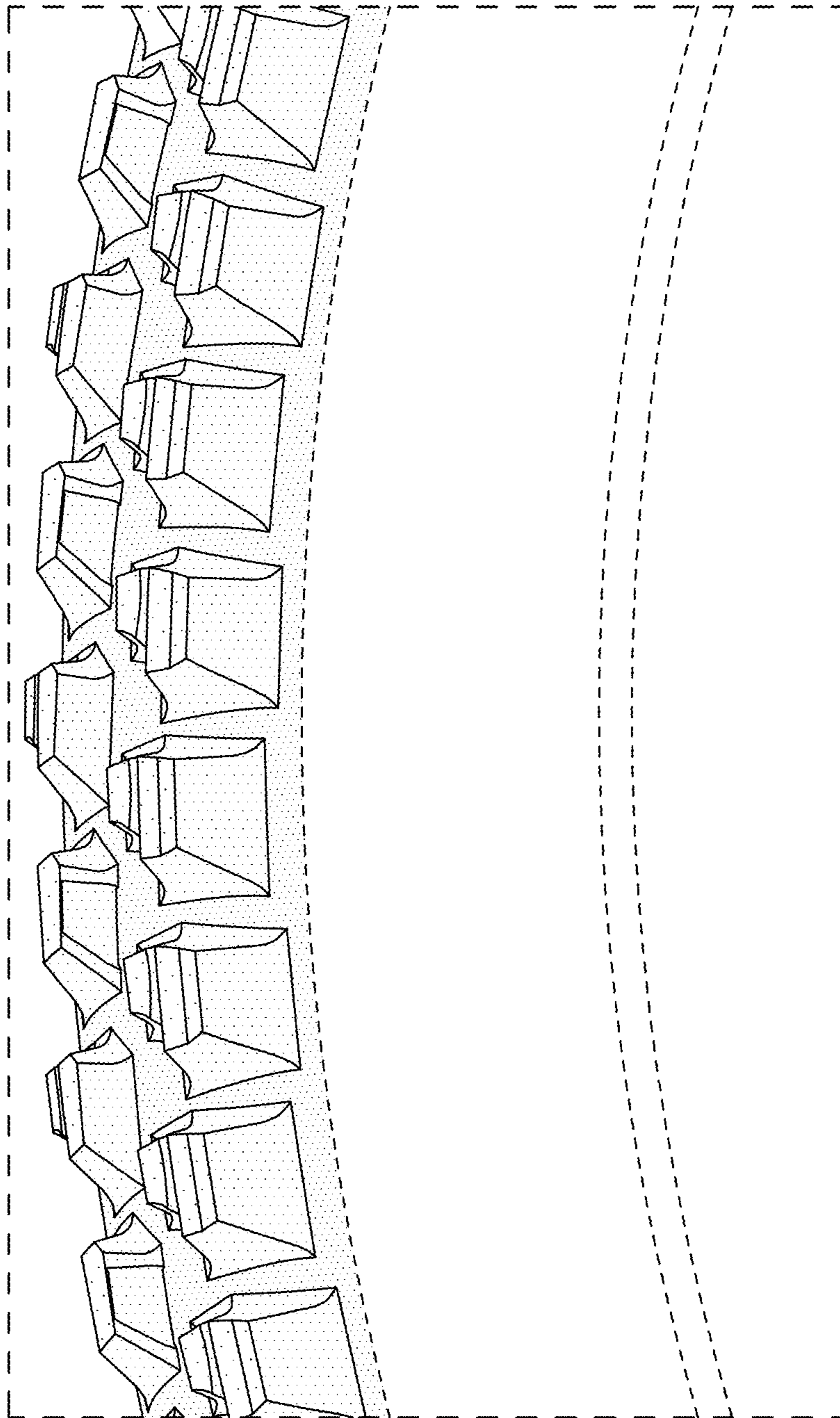


FIG. 5

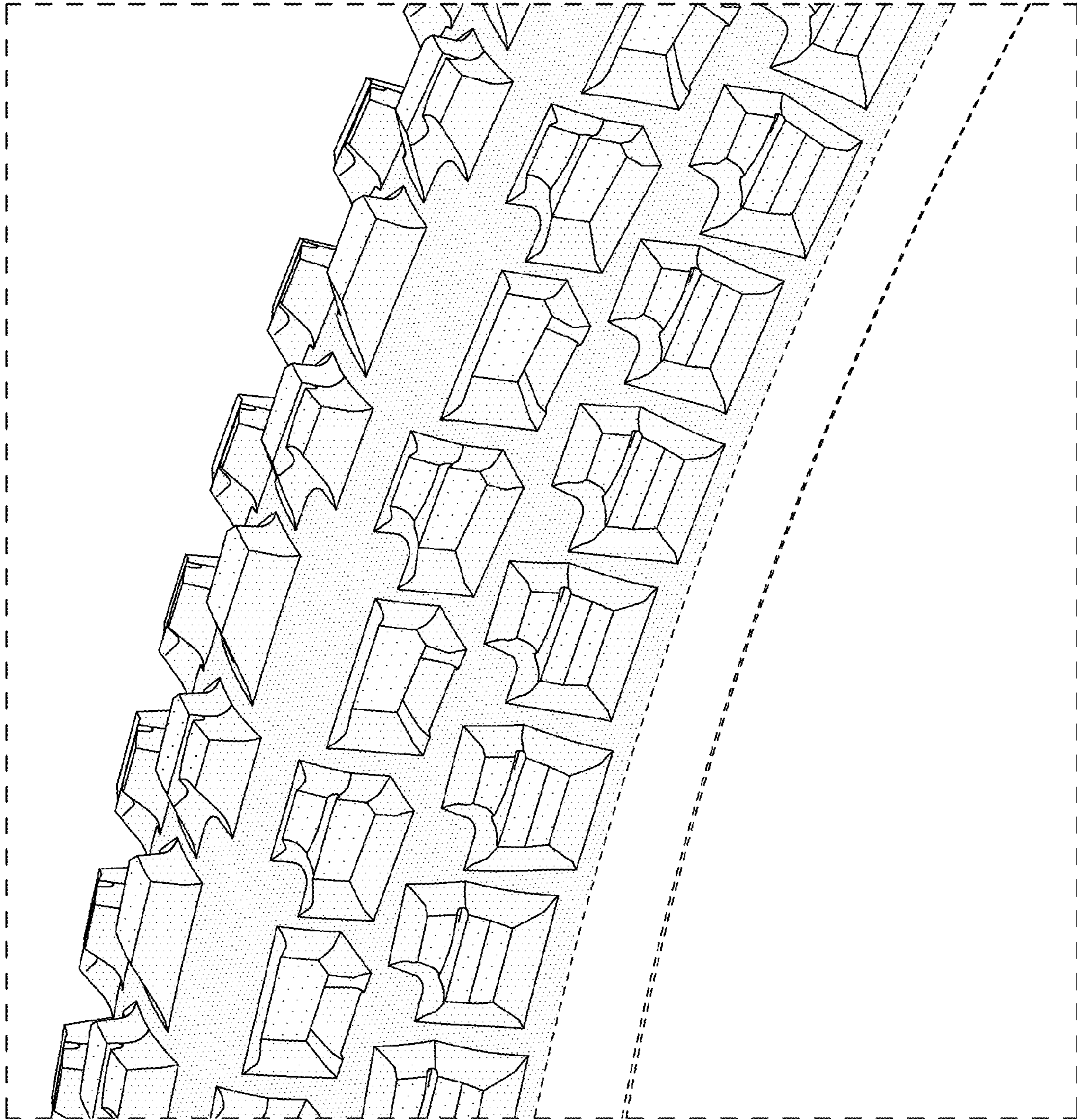


FIG. 6