



US00D878280S

(12) **United States Design Patent**  
**Furukawa et al.**

(10) **Patent No.:** **US D878,280 S**  
(45) **Date of Patent:** **\*\* Mar. 17, 2020**

(54) **TRAY FOR INDUSTRIAL VEHICLE**

(71) Applicant: **KOMATSU LTD.**, Tokyo (JP)

(72) Inventors: **Motoo Furukawa**, Tokyo (JP); **Akihiro Koshi**, Tokyo (JP); **Yasuyuki Suzuki**, Tokyo (JP)

(73) Assignee: **KOMATSU LTD.**, Tokyo (JP)

(\*\*) Term: **15 Years**

(21) Appl. No.: **29/668,822**

(22) Filed: **Nov. 2, 2018**

(51) **LOC (12) Cl.** ..... **12-16**

(52) **U.S. Cl.**  
USPC ..... **D12/419**

(58) **Field of Classification Search**  
USPC ..... D12/415-426.1  
CPC ..... B64D 11/06; F16M 11/12; F16M 11/10  
See application file for complete search history.

(56) **References Cited**

**U.S. PATENT DOCUMENTS**

D317,998 S *	7/1991	Sanford	.....	D7/701
D320,331 S *	10/1991	Paone	.....	D7/620
10,328,835 B1 *	6/2019	Meyer	.....	B60N 3/107
D865,646 S *	11/2019	Patten	.....	D12/419
D867,827 S *	11/2019	Greengrass	.....	D7/619.1
10,479,252 B2 *	11/2019	Agresti	.....	B60N 3/101
D868,547 S *	12/2019	Moore	.....	D7/620
D869,247 S *	12/2019	Topping	.....	D7/619.1
D869,910 S *	12/2019	Ye	.....	D7/619.1
2019/0193618 A1 *	6/2019	Medoro	.....	B60N 3/108
2019/0225132 A1 *	7/2019	Ortega Rojo	.....	A47G 23/0208
2019/0263310 A1 *	8/2019	Yumura	.....	B60N 3/105

\* cited by examiner

*Primary Examiner* — Katrina A Betton

(74) *Attorney, Agent, or Firm* — Fox Rothschild LLP

(57) **CLAIM**

The ornamental design for a tray for industrial vehicle, as shown and described.

**DESCRIPTION**

FIG. 1 is a front, top, left side perspective view of a first embodiment of a tray for industrial vehicle showing our new design;

FIG. 2 is a rear, top, right side perspective view thereof;

FIG. 3 is a front view thereof;

FIG. 4 is a rear view thereof;

FIG. 5 is a top plan view thereof;

FIG. 6 is a bottom plan view thereof;

FIG. 7 is a right side view thereof;

FIG. 8 is a left side view thereof;

FIG. 9 is a cross-sectional view taken along line 9-9 in FIG. 3;

FIG. 10 is a front, top, left side perspective view of a second embodiment of a tray for industrial vehicle showing our new design;

FIG. 11 is a rear, top, right side perspective view thereof;

FIG. 12 is a front view thereof;

FIG. 13 is a rear view thereof;

FIG. 14 is a top plan view thereof;

FIG. 15 is a bottom plan view thereof;

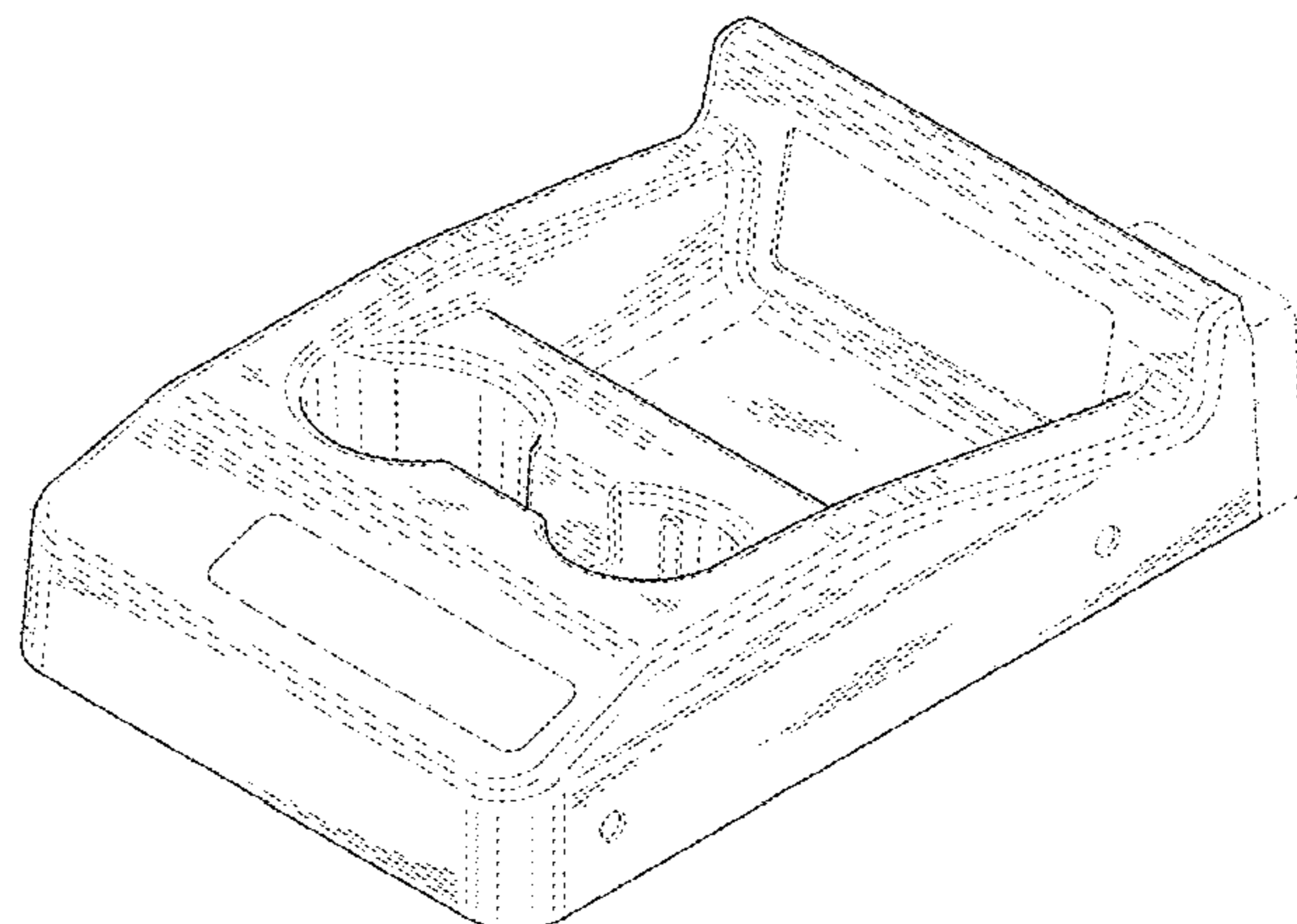
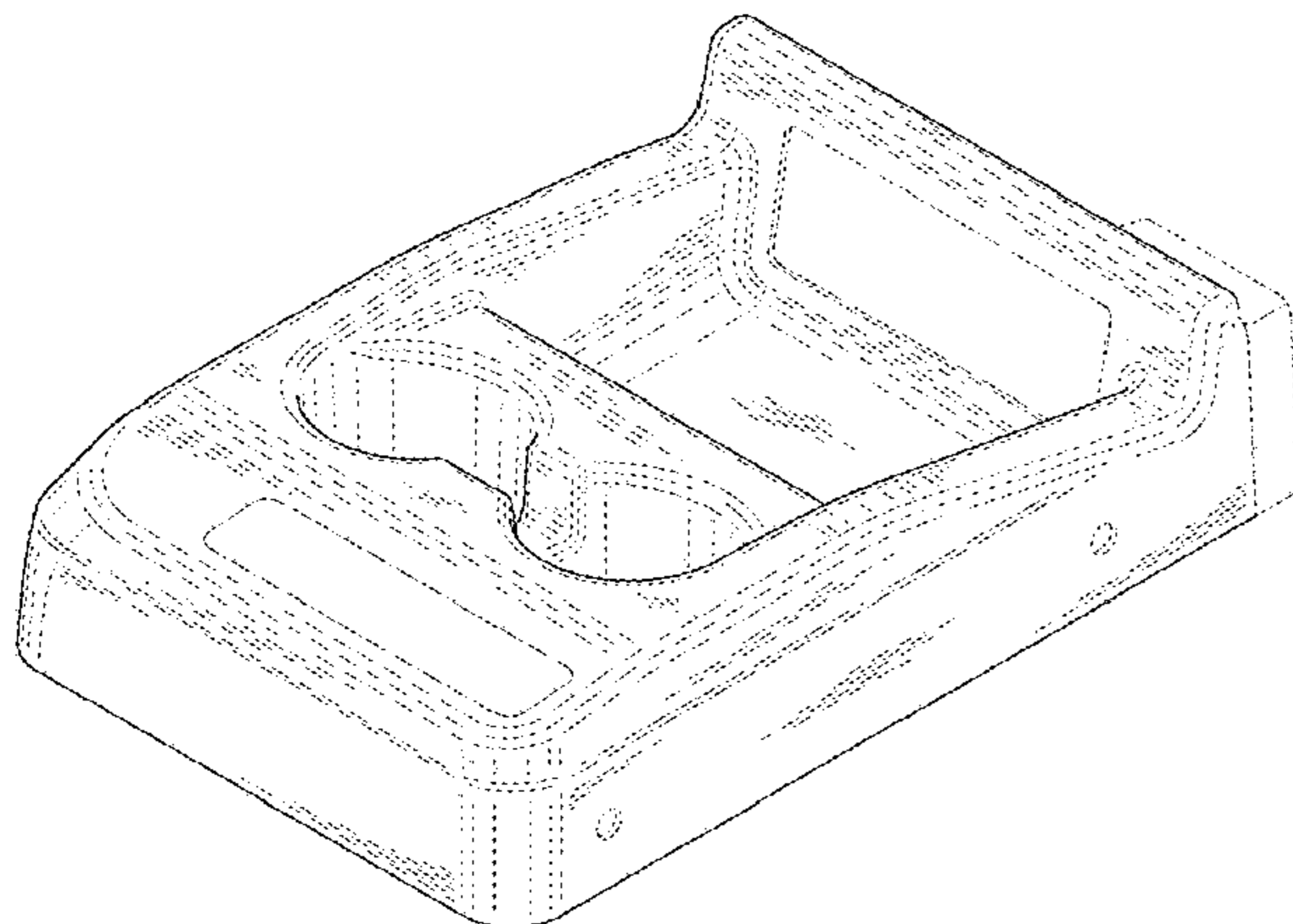
FIG. 16 is a right side view thereof;

FIG. 17 is a left side view thereof; and,

FIG. 18 is a cross-sectional view taken along line 18-18 in FIG. 12.

The broken lines illustrate portions of the tray for industrial vehicle that form no part of the claimed design. The dash-dotted lines denote boundaries of the claim and form no part of the claimed design.

**1 Claim, 18 Drawing Sheets**



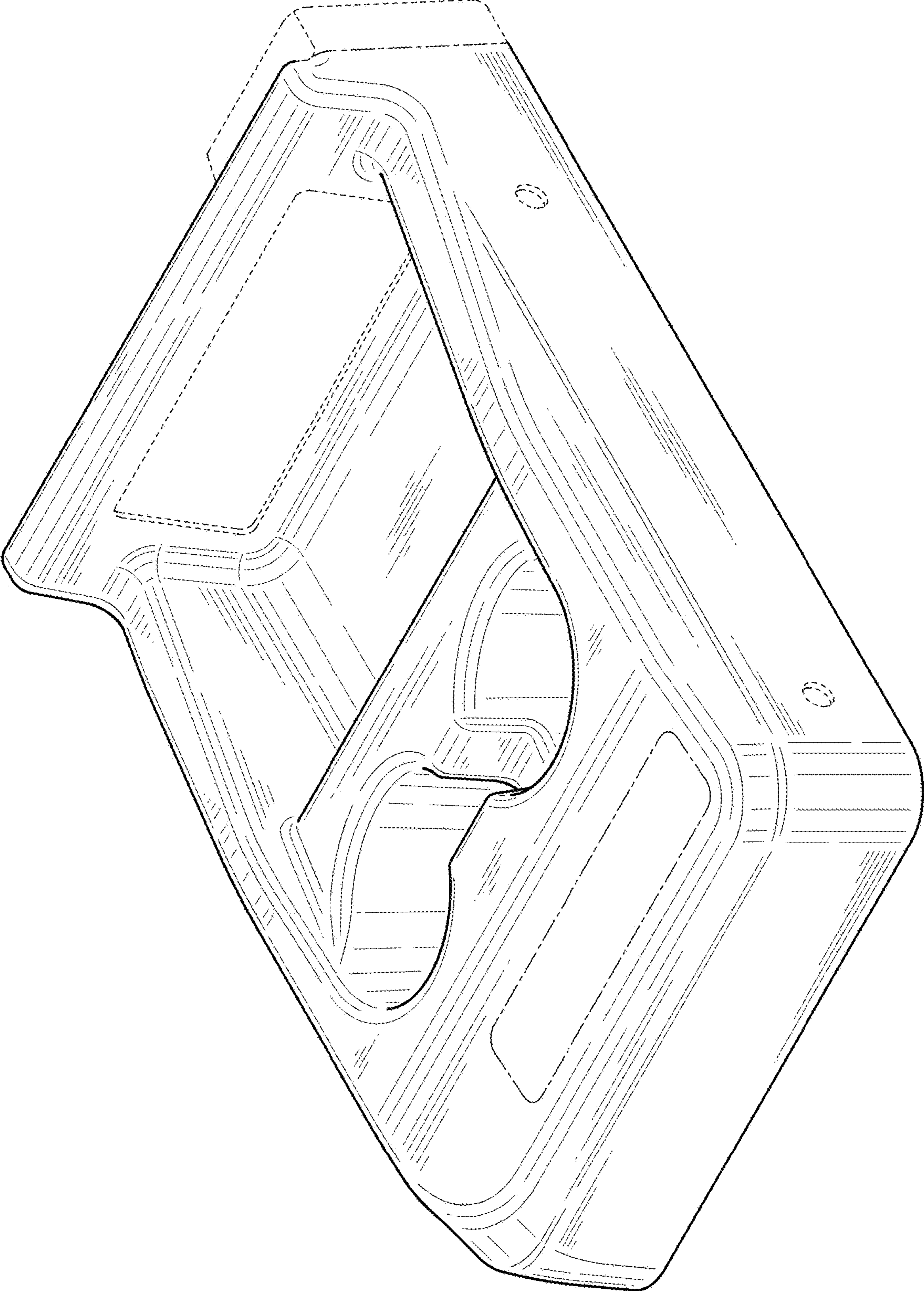


FIG.1

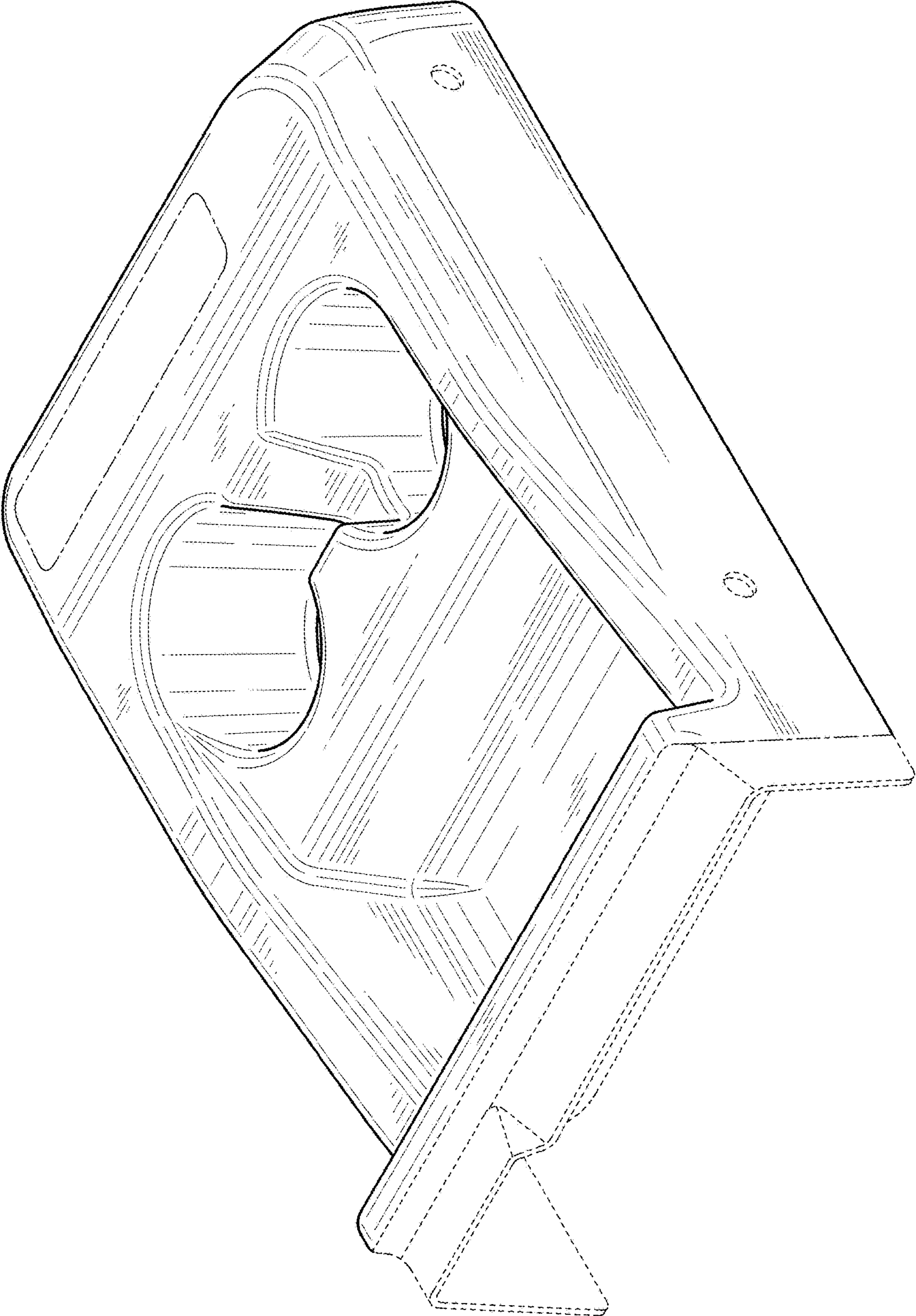
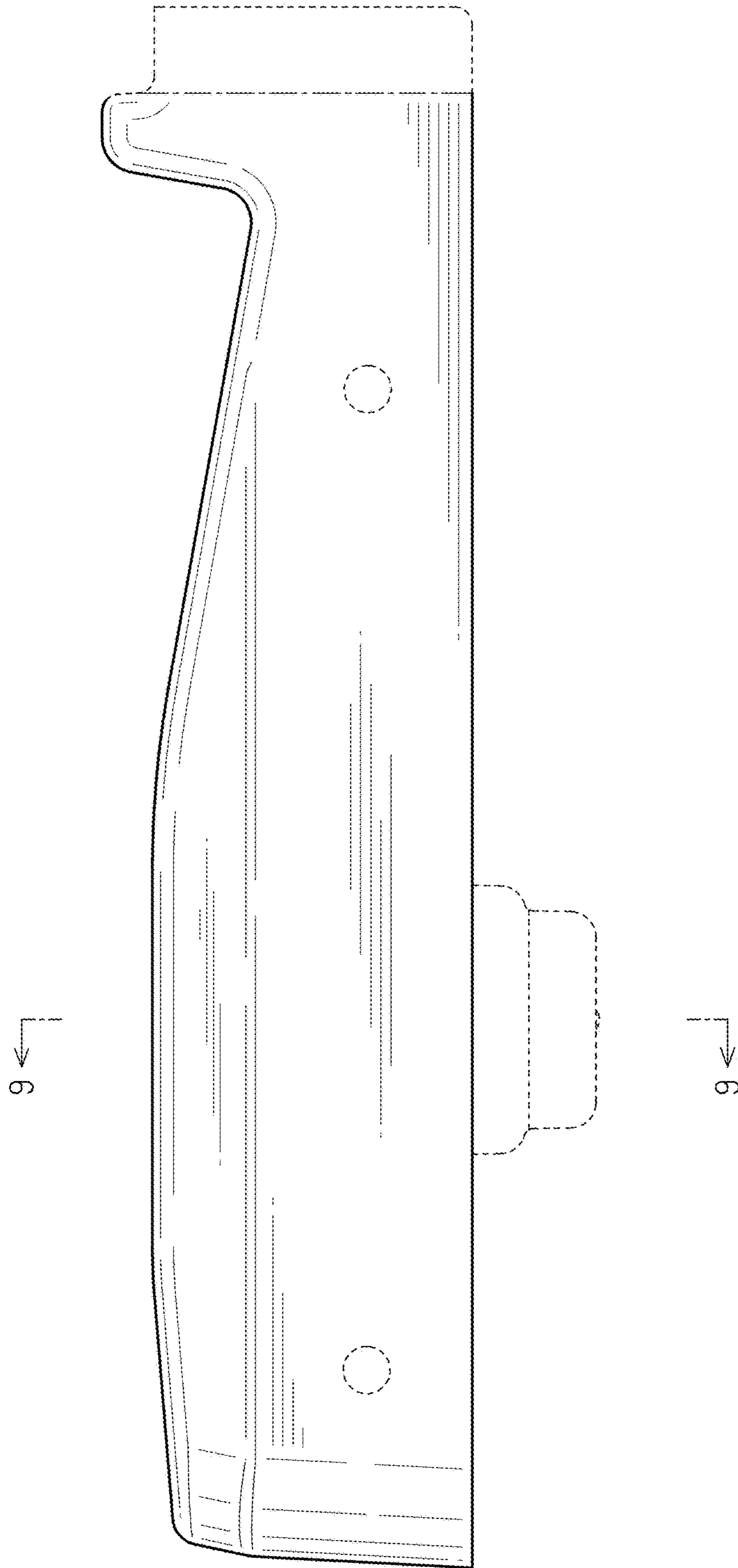


FIG.2

FIG.3



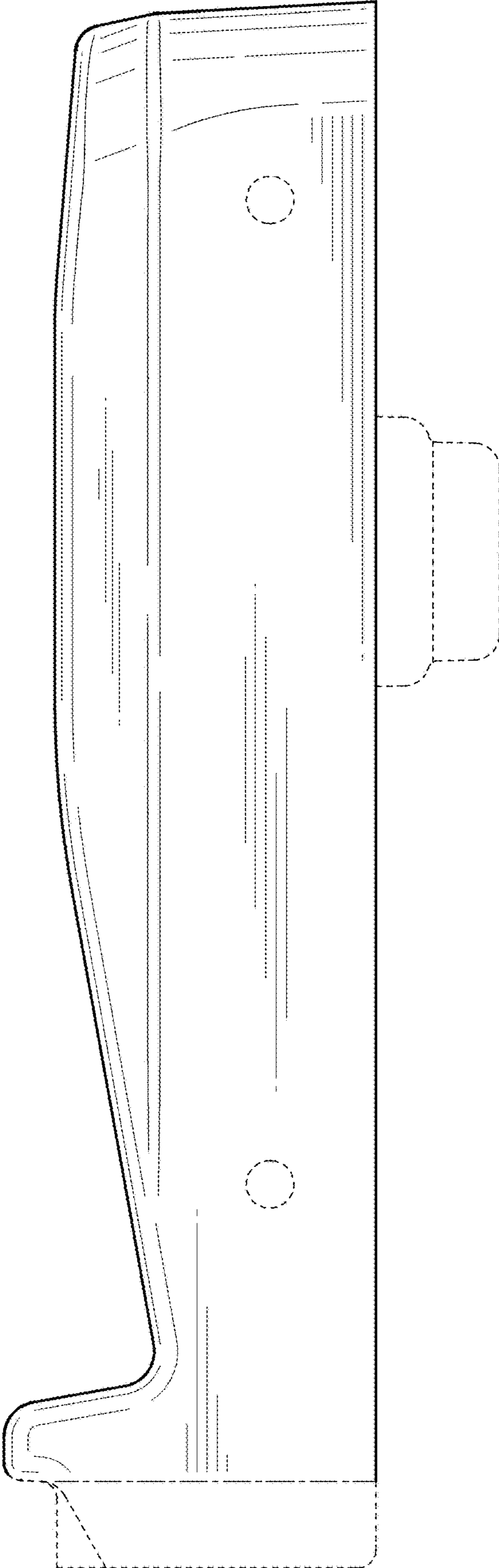


FIG.4

FIG.5

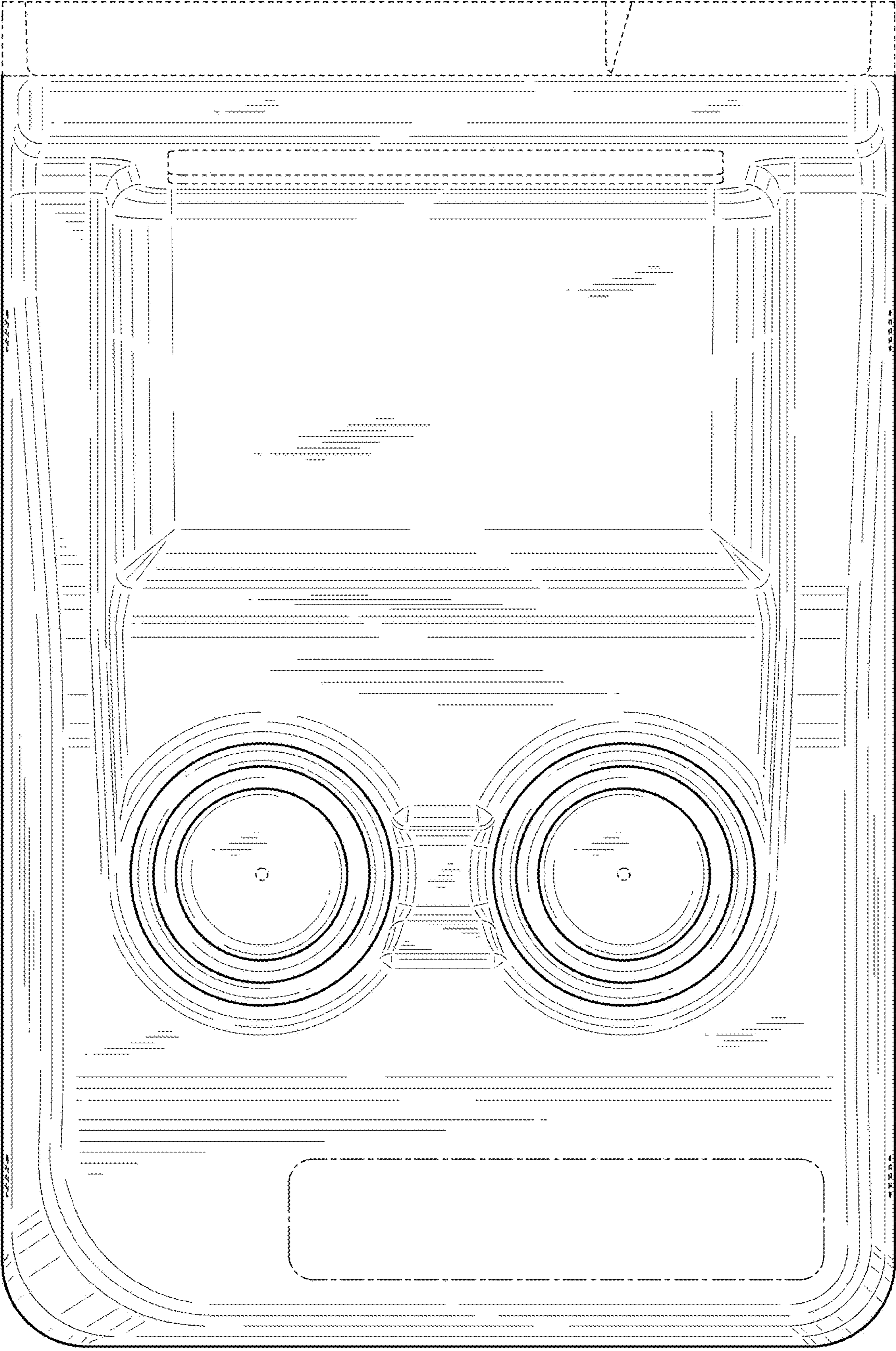
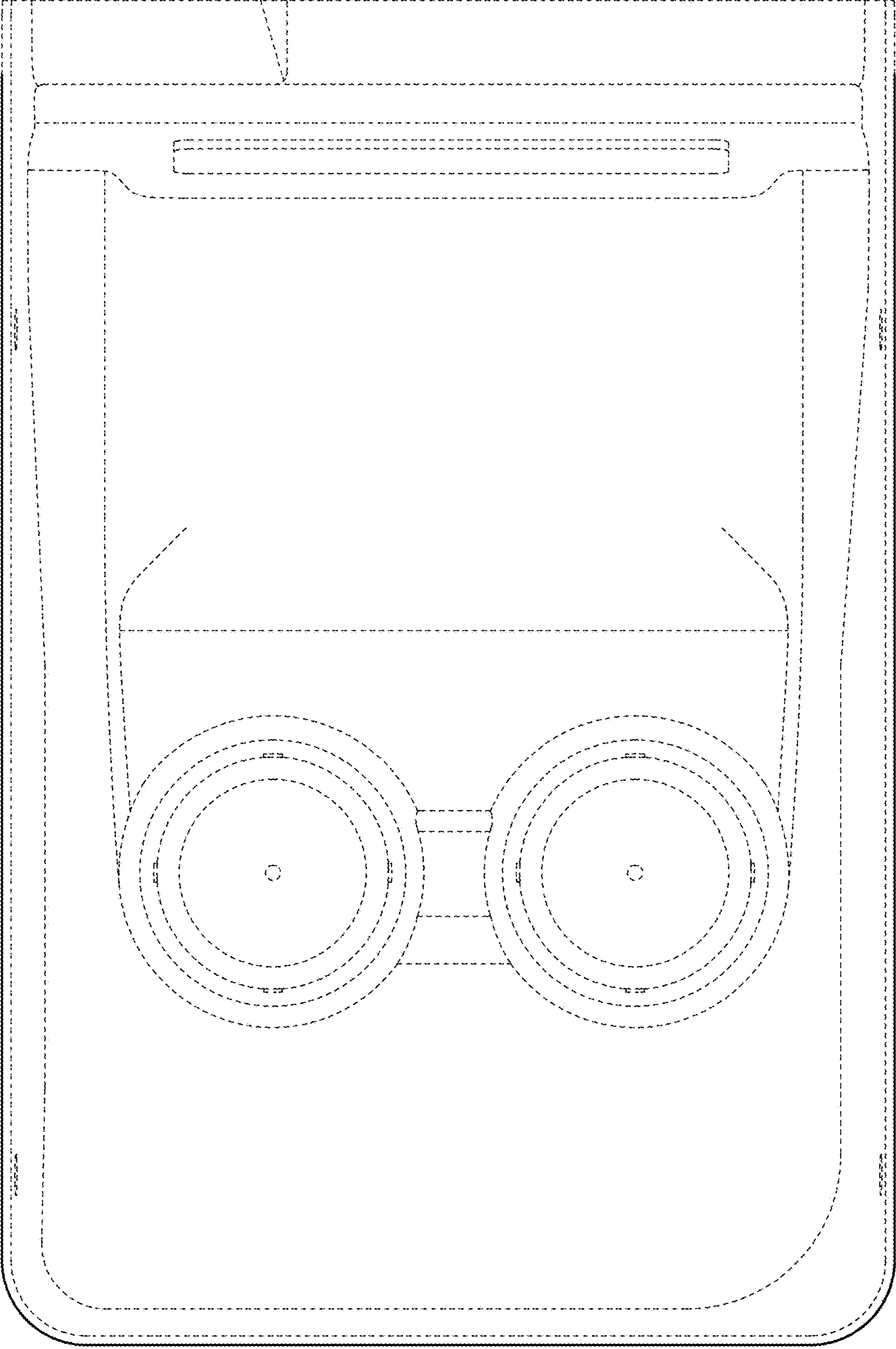


FIG.6



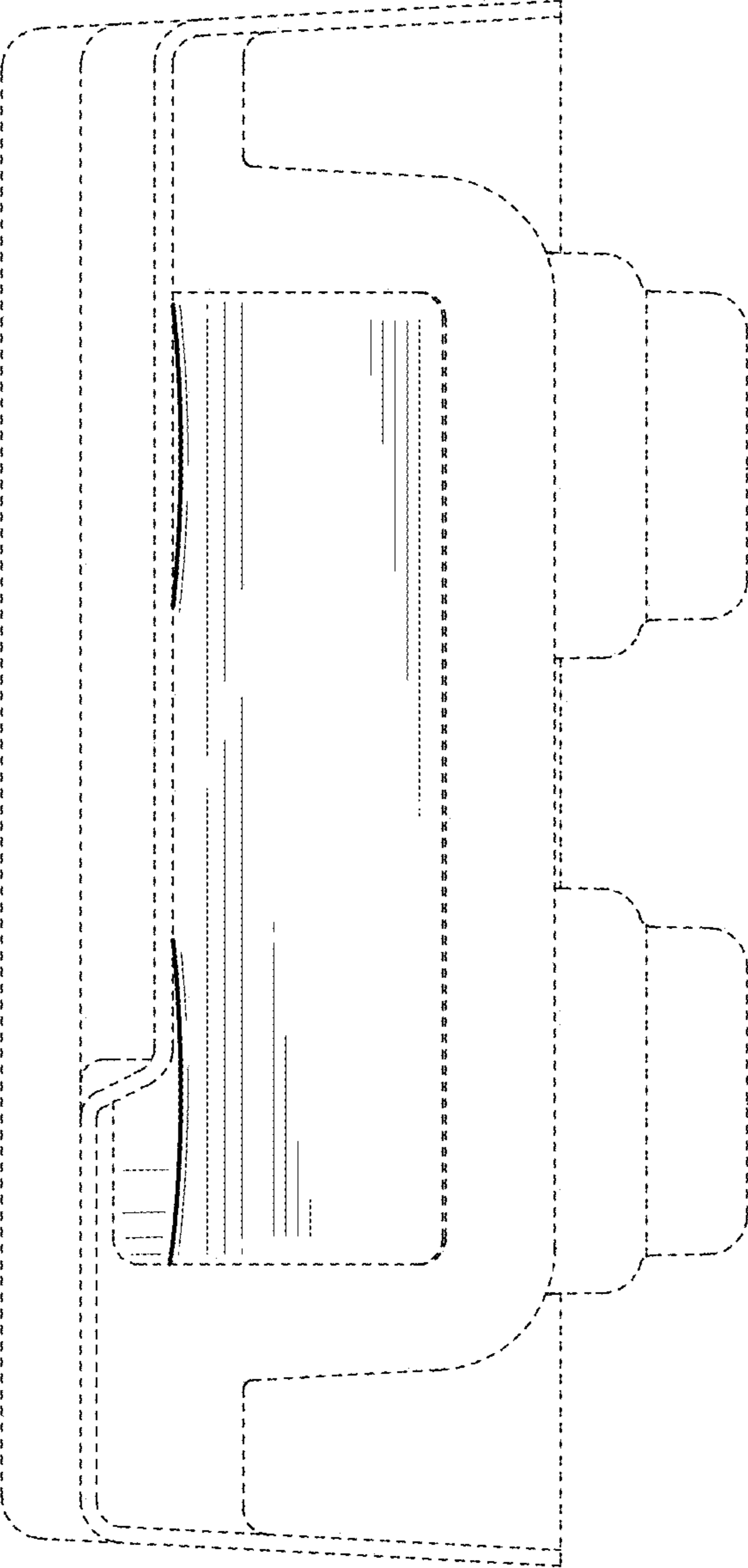


FIG. 7



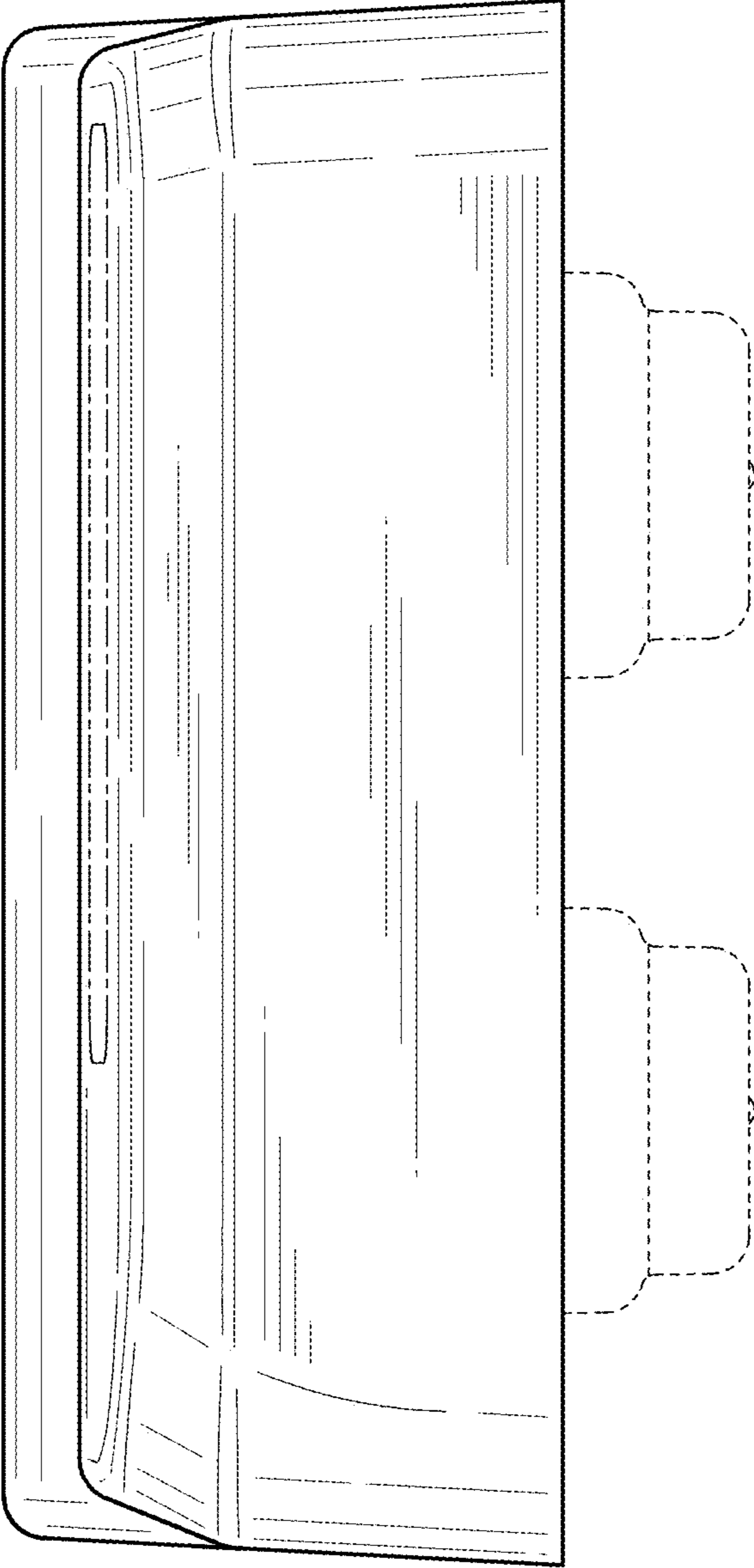


FIG.8

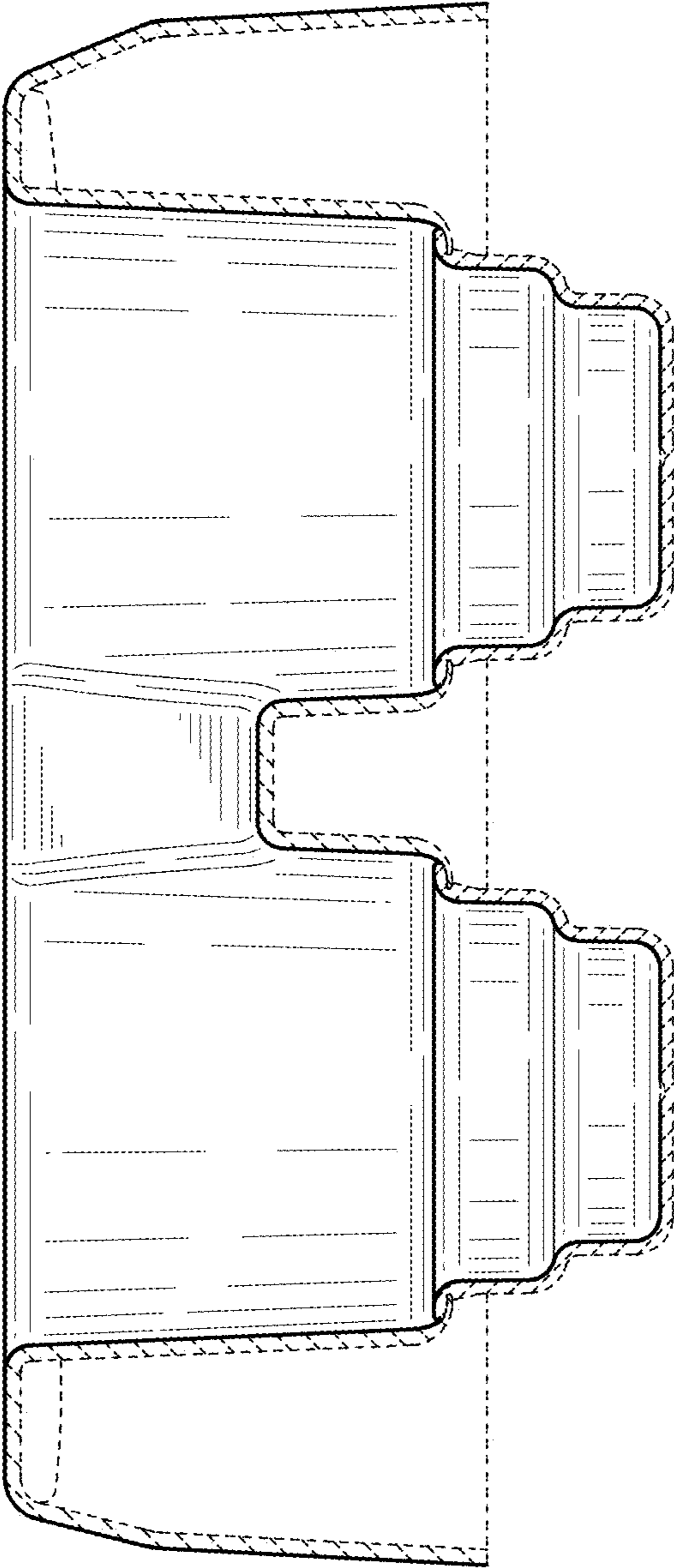


FIG. 9

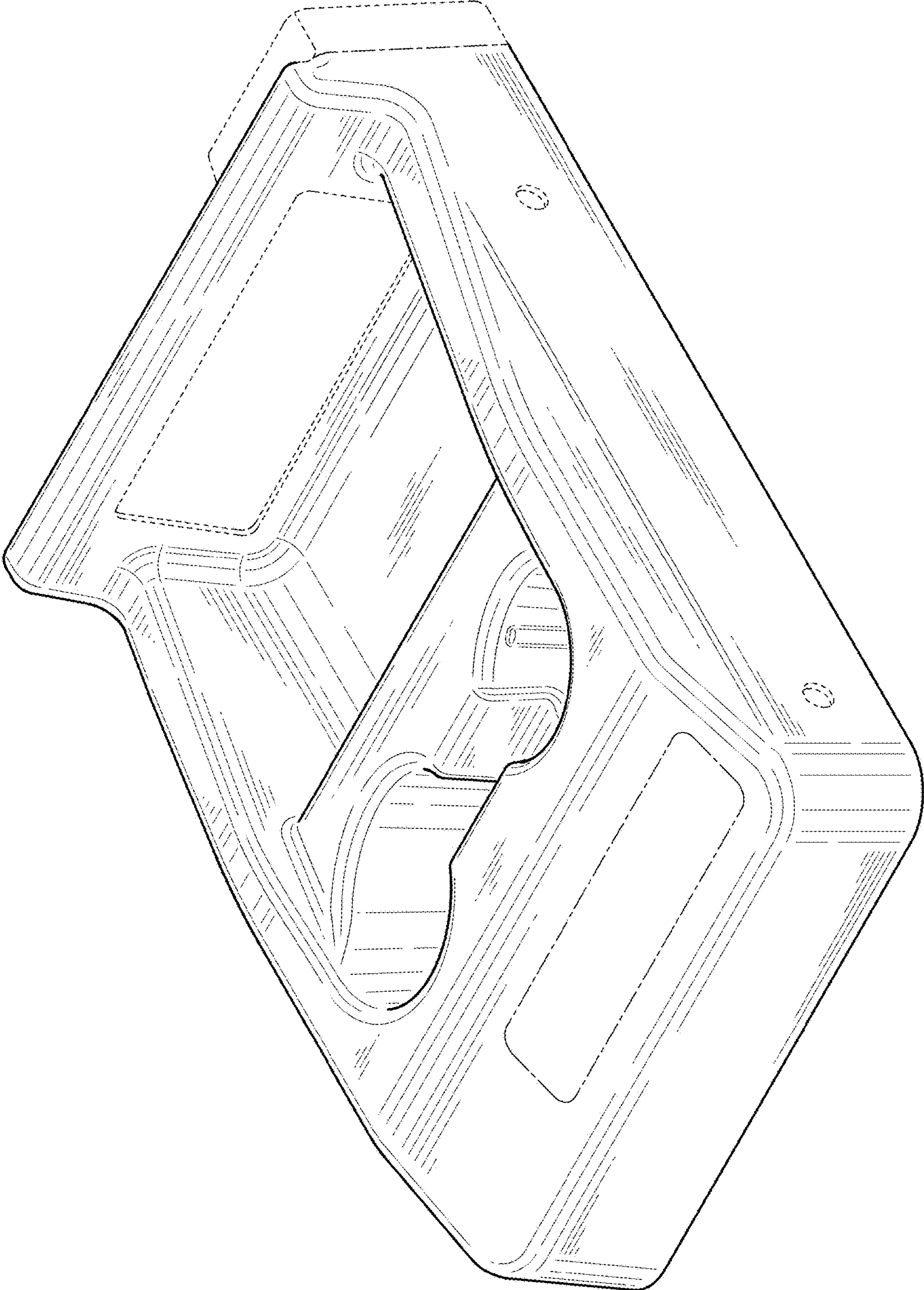


FIG.10

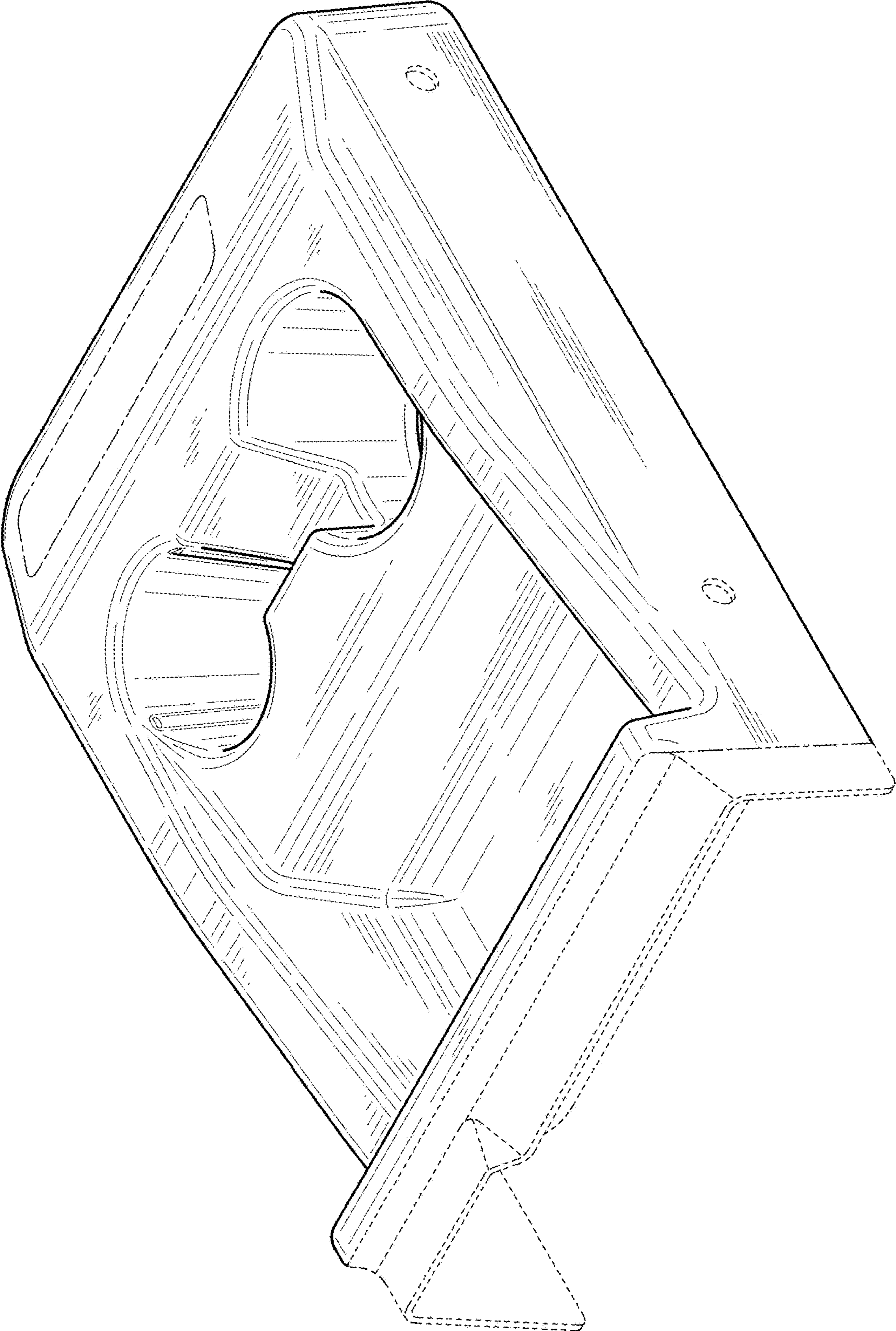


FIG.11

FIG.12

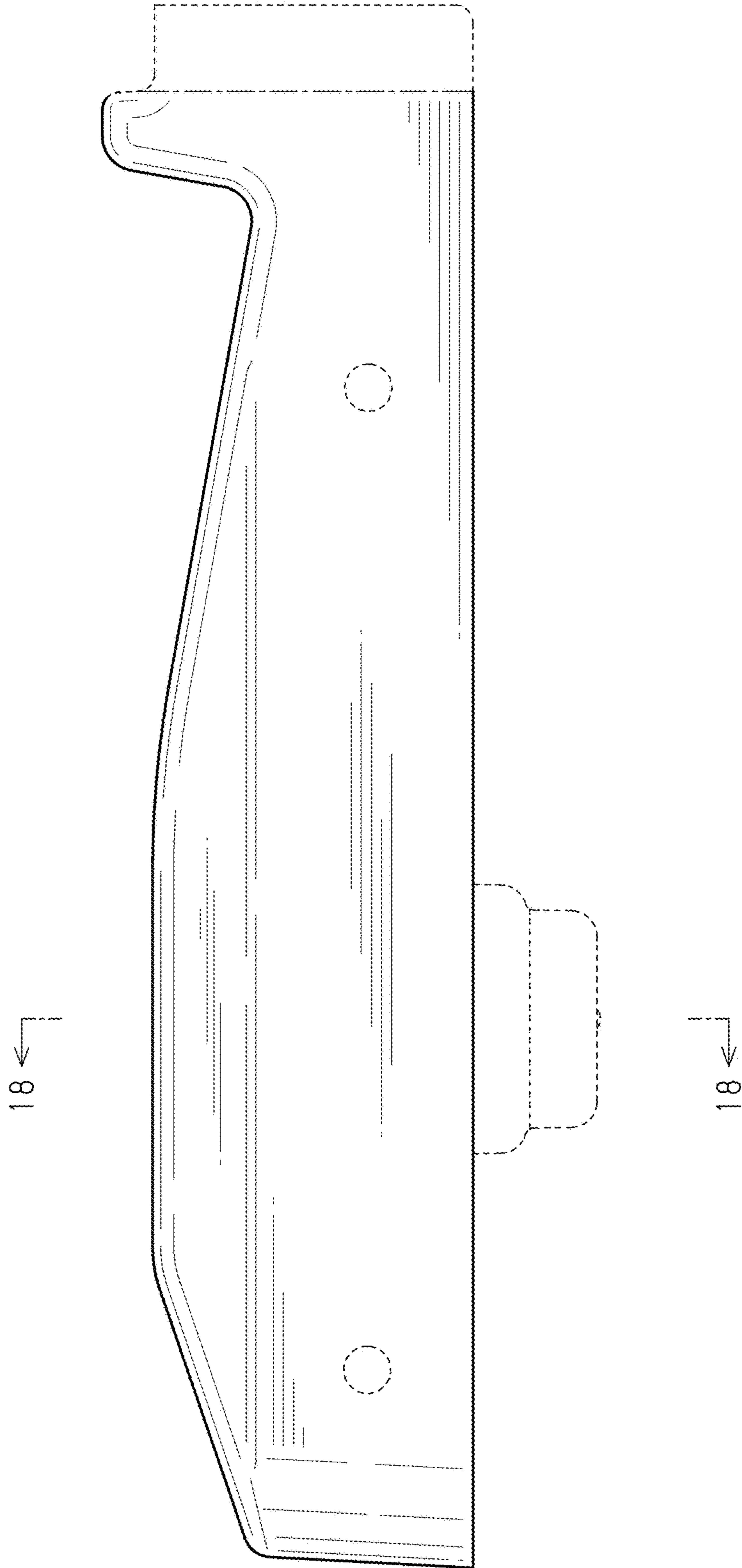


FIG.13

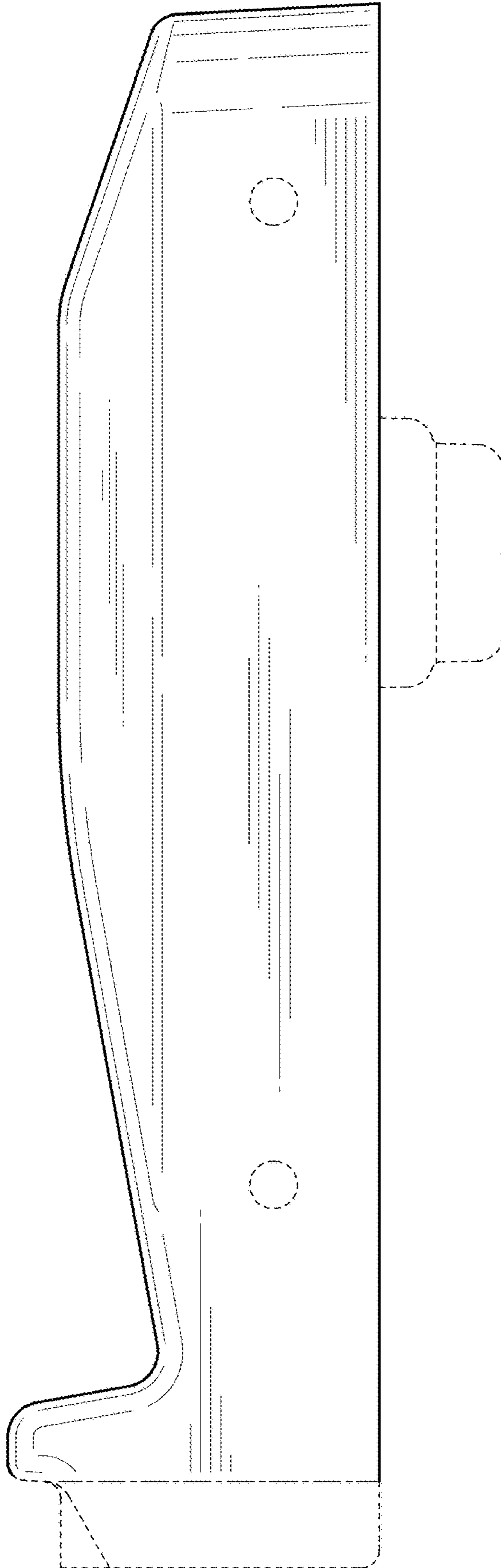


FIG.14

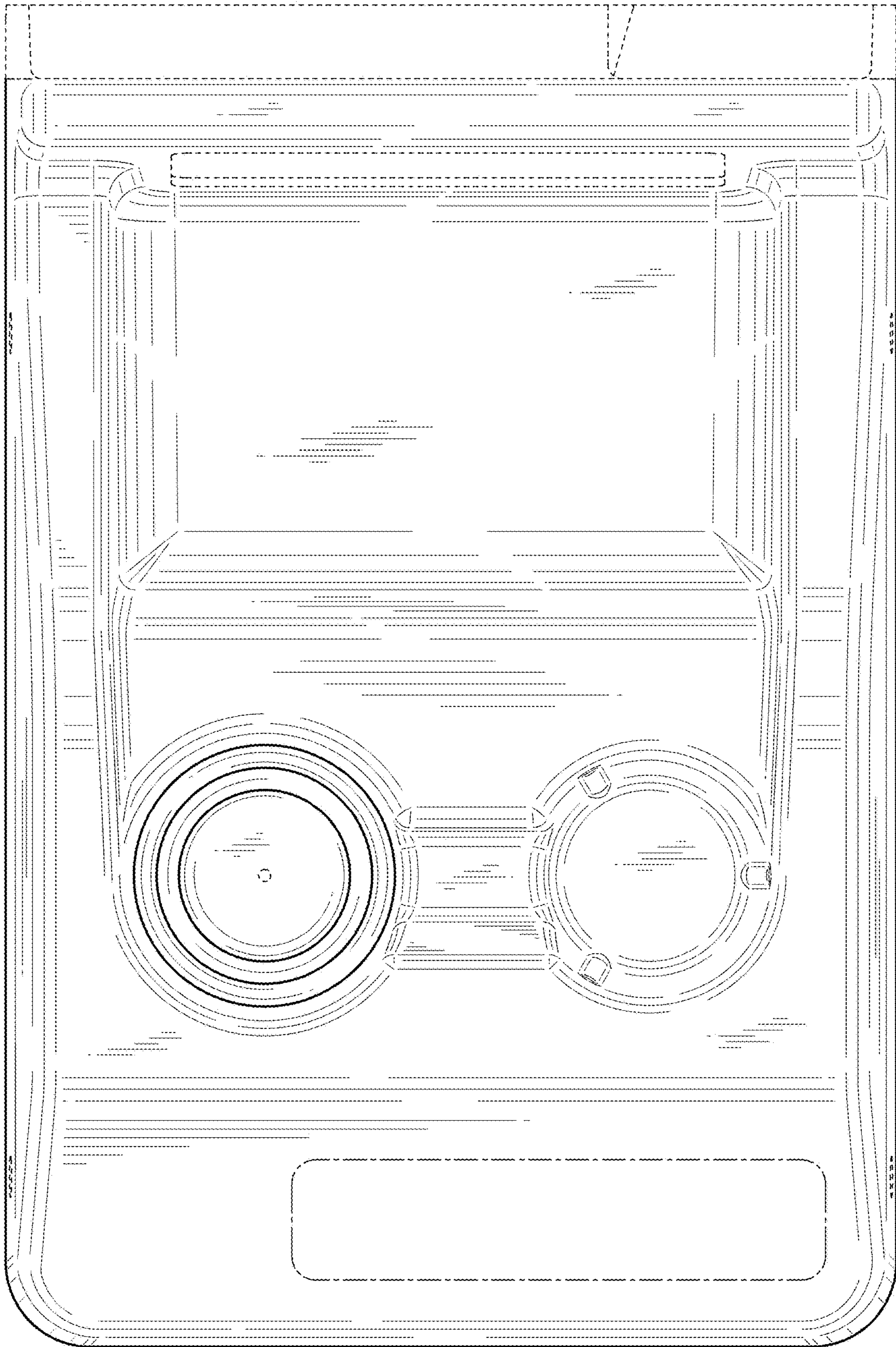
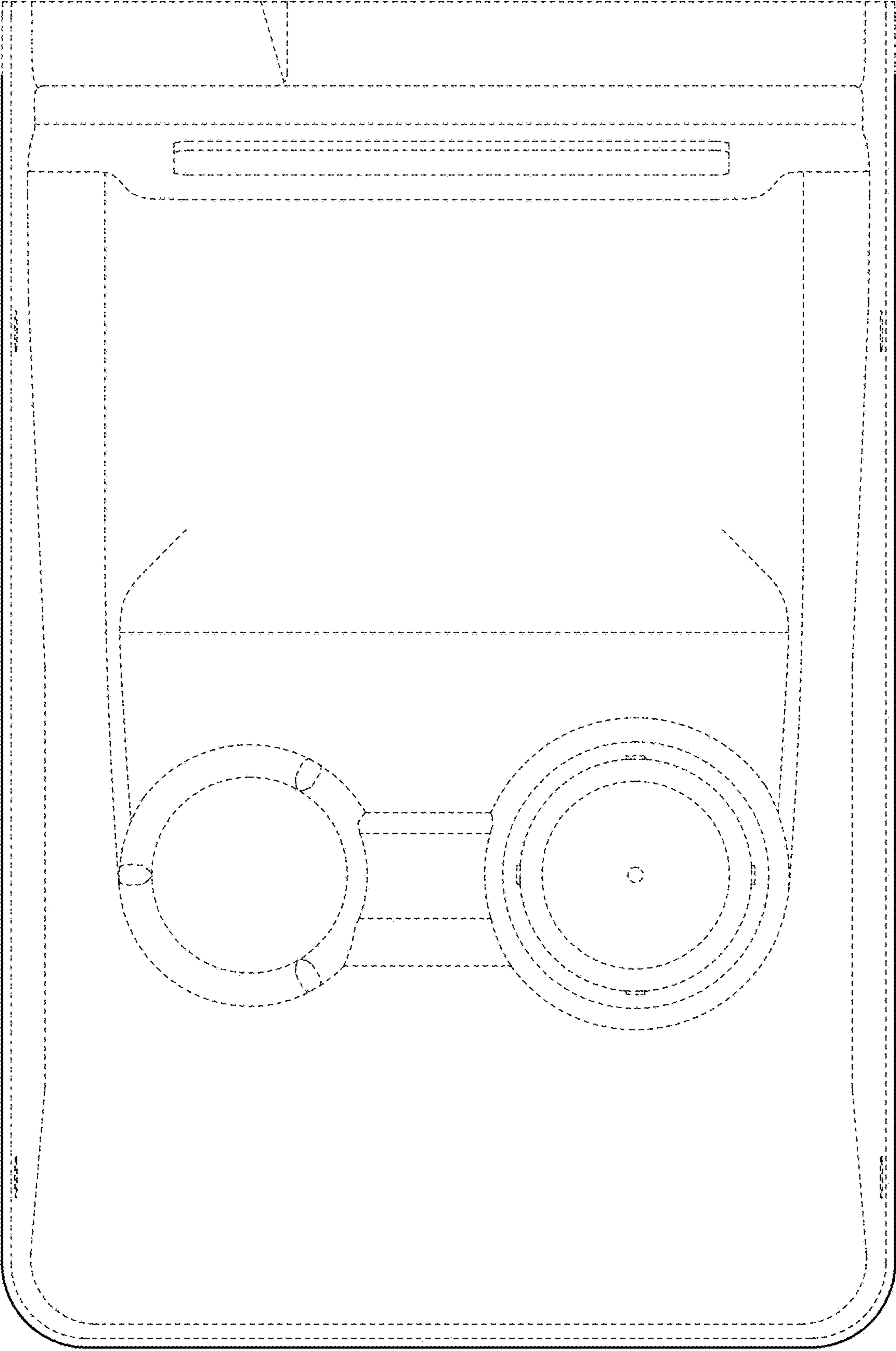


FIG.15





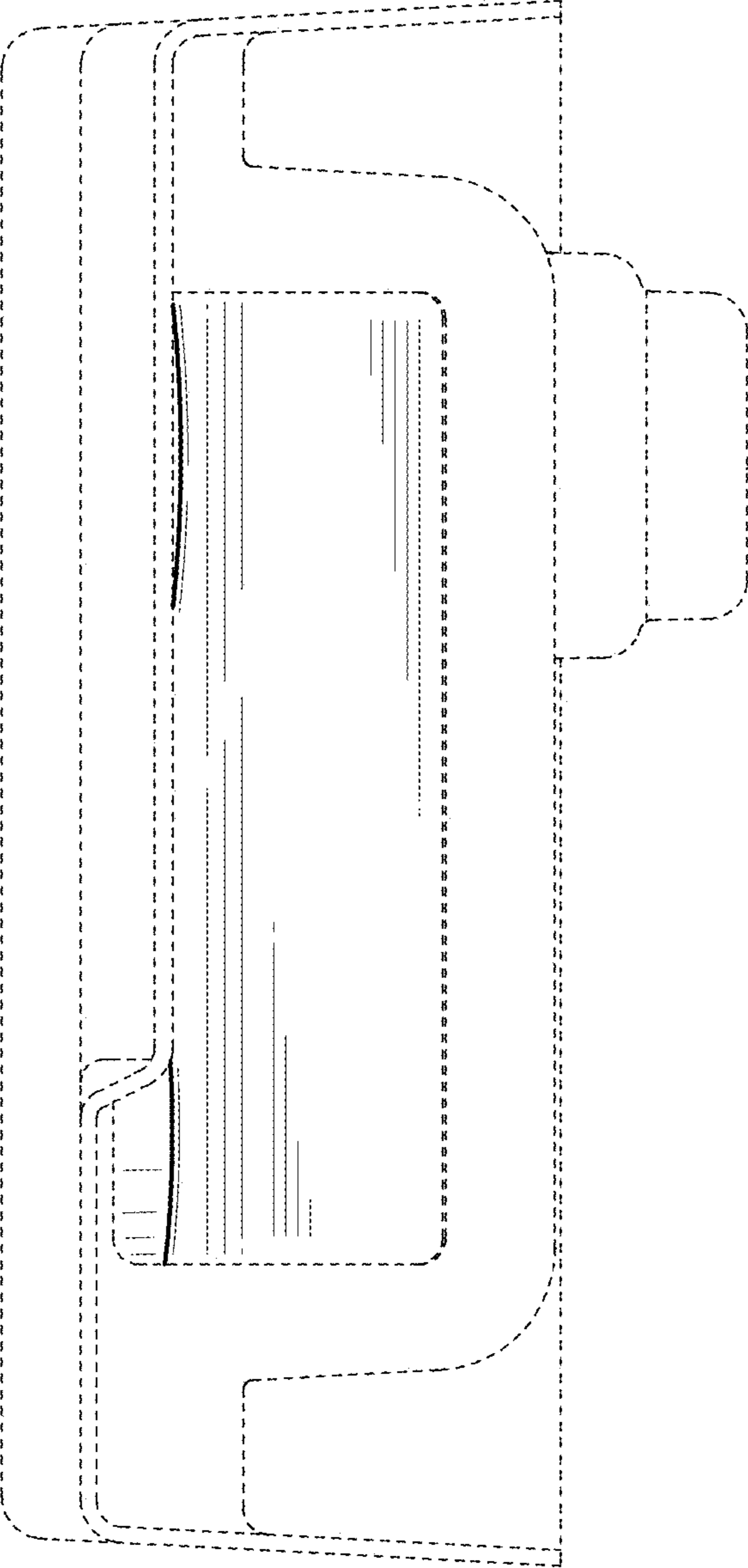


FIG.16

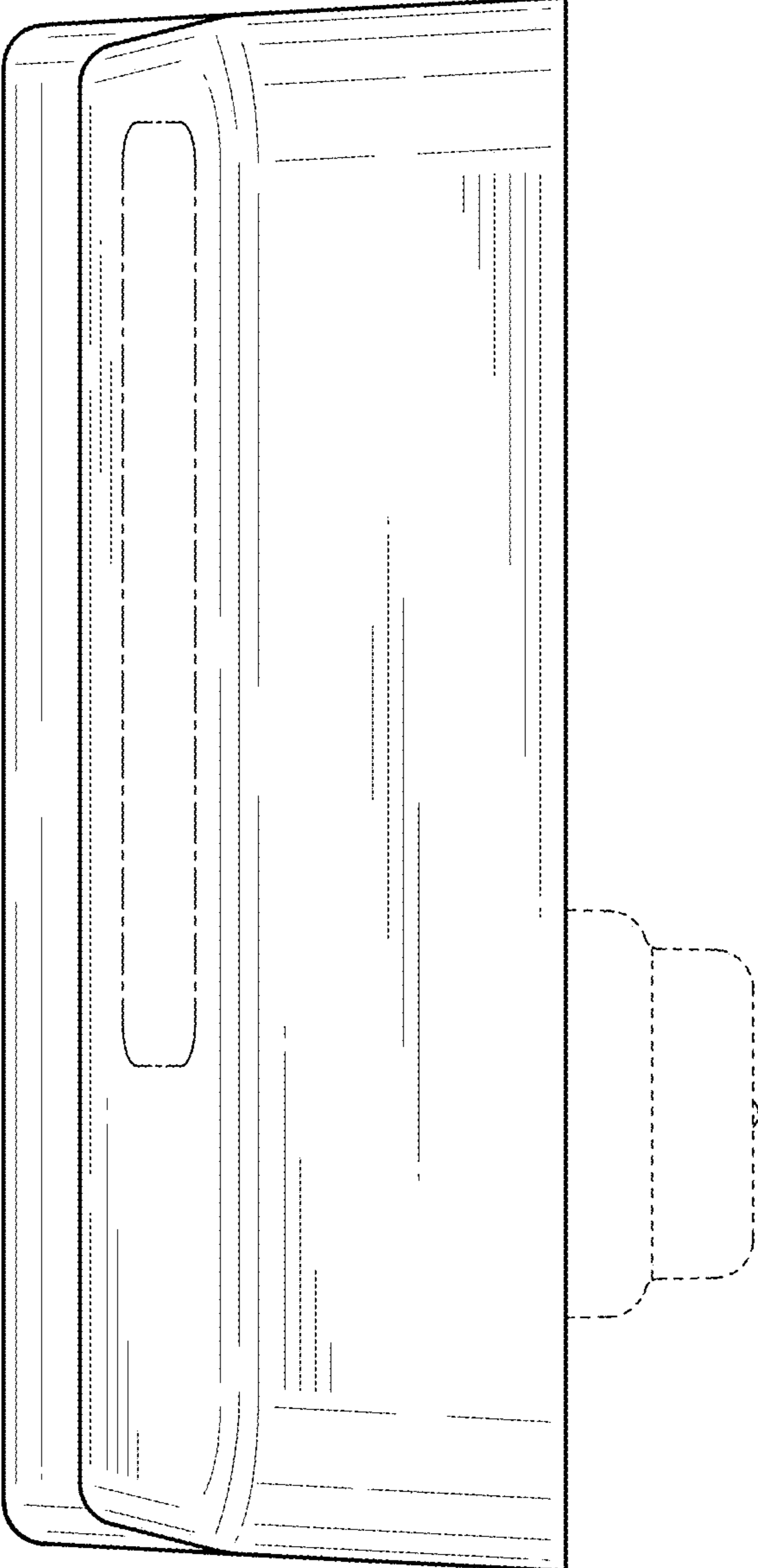


FIG.17

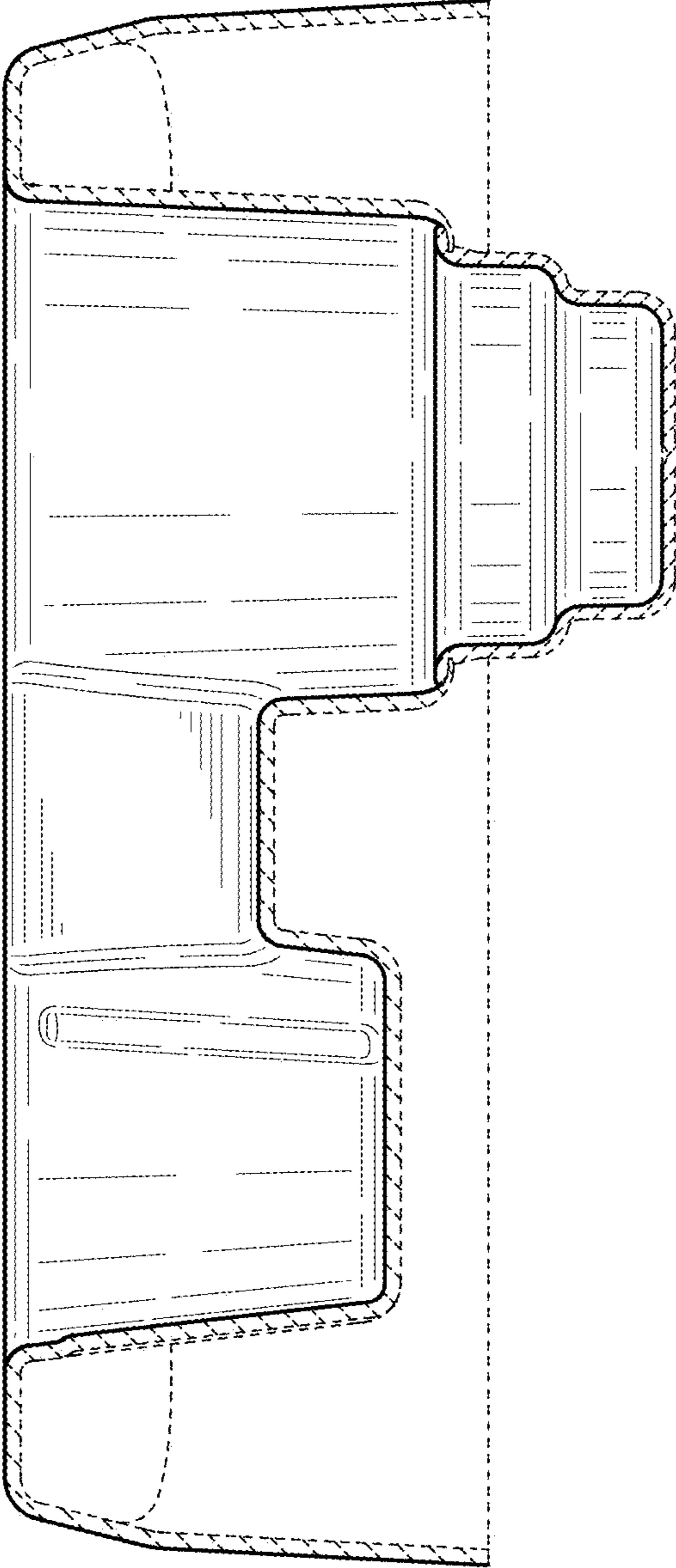


FIG.18