



US00D878279S

(12) **United States Design Patent** (10) **Patent No.:** **US D878,279 S**
MacNeil et al. (45) **Date of Patent:** **** Mar. 17, 2020**

(54) **VEHICLE CUP HOLDER CELL PHONE MOUNT**

(56) **References Cited**

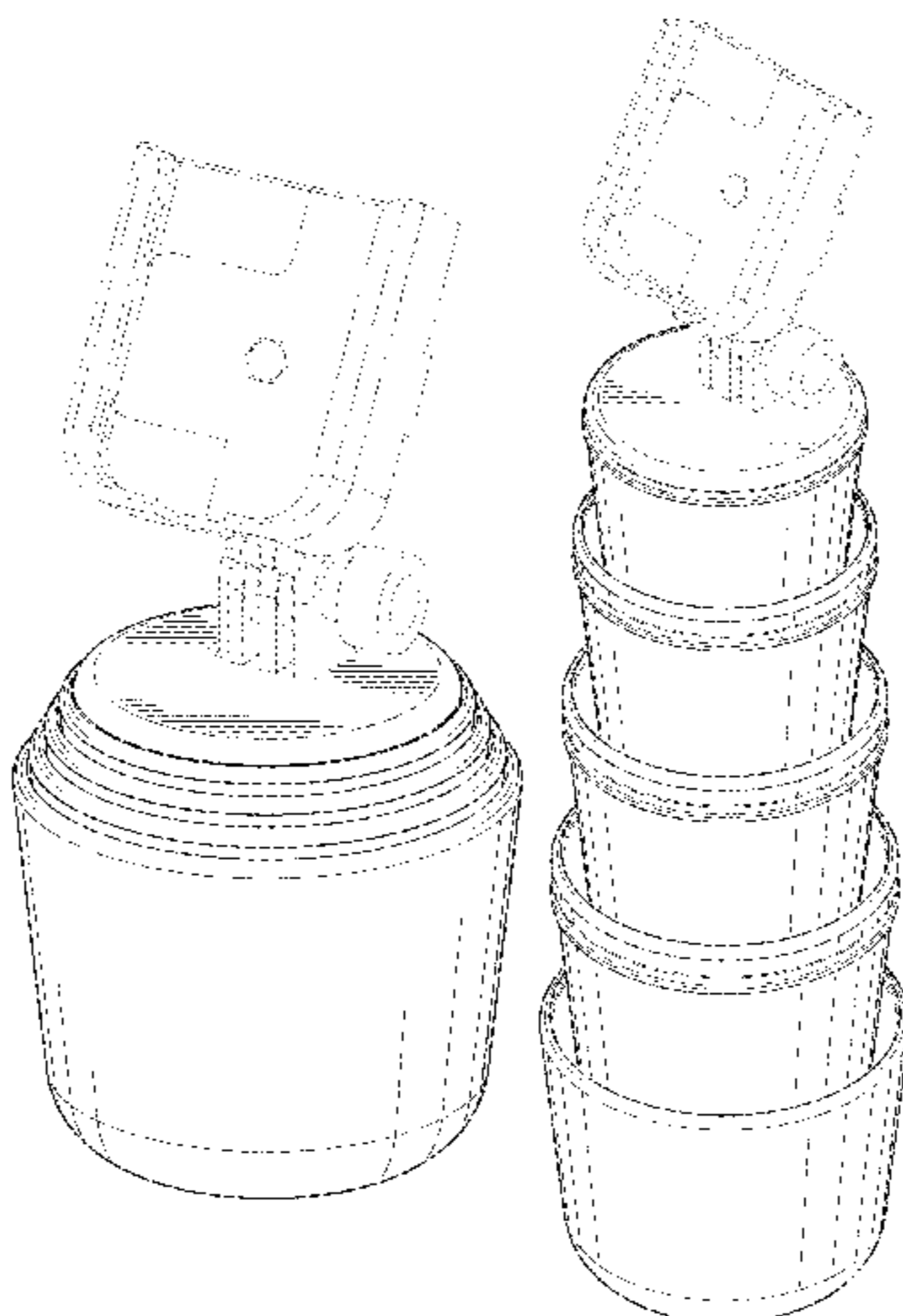
U.S. PATENT DOCUMENTS

- (71) Applicant: **MACNEIL IP LLC**, Bolingbrook, IL (US)
- (72) Inventors: **David F. MacNeil**, Fort Lauderdale, FL (US); **David S. Iverson**, Oak Brook, IL (US)
- (73) Assignee: **MACNEIL IP LLC**, Bolingbrook, IL (US)
- (**) Term: **15 Years**
- (21) Appl. No.: **29/710,629**
- (22) Filed: **Oct. 24, 2019**

Related U.S. Application Data

- (60) Division of application No. 29/707,213, filed on Sep. 26, 2019, which is a continuation-in-part of application No. 29/668,090, filed on Oct. 26, 2018, now Pat. No. Des. 873,205.
- (51) **LOC (12) Cl.** **12-16**
- (52) **U.S. Cl.**
USPC **D12/415**
- (58) **Field of Classification Search**
USPC D12/415-420, 400, 191, 195, 106, 345, D12/96, 99, 223, 114; D14/253, 251, D14/252, 447, 451, 452, 440, 434, 458, D14/432, 439, 457, 460, 238.1, 140, 142, D14/149, 217, 148, 140.8, 140.11, 209.1, D14/151, 140.9; D13/107, 108; D7/523, D7/529-536, 507-512, 300, 300.1, 591, D7/608, 629, 630, 500-502
CPC B60R 7/06; B60R 11/02; B60R 2011/005; B60R 2011/0012; B60R 2011/0008; B60R 11/0241; B60R 11/0258; B60R 11/0252; B60R 2011/0294; A61L 9/12; A61L 9/04; F16M 11/00; F16M 11/04; F16M 11/041; F16M 11/02; F16M 11/06; H04M 1/02; A47F 7/022; B62J 11/00
See application file for complete search history.

D247,548	S	*	3/1978	Crary	D7/540
4,854,468	A		8/1989	Dahlquist, II et al.	
D309,307	S	*	7/1990	Sigurdson	381/86
5,052,649	A		10/1991	Hunnicutt	
5,088,673	A		2/1992	Chandler	
5,102,086	A		4/1992	Thomason	
5,135,195	A		8/1992	Dane	
5,174,534	A		12/1992	Mitchell	
5,180,088	A		1/1993	de Angeli	
D332,891	S		2/1993	Cumberland	
5,285,938	A		2/1994	Fauchald	
5,285,953	A		2/1994	Smith	
D361,017	S		8/1995	Keven	
D370,392	S		6/1996	Flanagan	
D376,959	S		12/1996	Norris	
D377,740	S		2/1997	Swanson	
D380,650	S		7/1997	Norris	
5,651,523	A		7/1997	Bridges	
5,669,538	A		9/1997	Ward	
5,676,340	A		10/1997	Ruhnau	
5,745,565	A		4/1998	Wakefield	
D397,915	S		9/1998	McNaughton	
D400,763	S		11/1998	Taylor et al.	
D402,666	S	*	12/1998	Golder	D14/253
D407,408	S	*	3/1999	Hoff	D14/253
5,897,041	A		4/1999	Ney et al.	
6,019,325	A		2/2000	Dotson et al.	
D422,182	S		4/2000	Miljanich	
6,062,518	A		5/2000	Etue	
6,099,062	A		8/2000	Siegel	
6,113,049	A		9/2000	Miljanich	
6,189,755	B1		2/2001	Wakefield	
D439,116	S		3/2001	White	
6,246,766	B1		6/2001	Walsh	
6,253,982	B1		7/2001	Gerardi	
6,267,340	B1		7/2001	Wang	
6,315,153	B1		11/2001	Osborn	
D451,504	S	*	12/2001	Edwards	D14/253
D452,236	S	*	12/2001	Kohli	D14/243
6,543,637	B1		4/2003	Osborn	
D475,044	S	*	5/2003	Kohli	D14/243
6,827,318	B1		12/2004	Hsu Li	
D501,118	S		1/2005	Schrock	
D513,938	S		1/2006	Griffin	
D516,393	S		3/2006	Wickenhauser	
7,099,466	B2		8/2006	Walsh	
7,099,467	B1	*	8/2006	Rohrbach	G09B 15/00 379/441
7,140,586	B2		11/2006	Seil et al.	



7,194,087	B2	3/2007	Luginbill et al.	
7,246,555	B2	7/2007	Small et al.	
D551,912	S	10/2007	Cooke	
D558,769	S *	1/2008	Krieger	D13/108
7,597,301	B2	10/2009	Seil	
7,668,309	B2	2/2010	Wilcox	
7,708,247	B2	5/2010	Lota	
D625,715	S *	10/2010	Adams, II	D14/253
D643,252	S	8/2011	Seidl	
8,061,670	B1	11/2011	White	
D651,473	S	1/2012	Cribb	
D655,282	S *	3/2012	Richter	D14/253
D687,437	S *	8/2013	Hagenauer	D14/434
8,777,307	B2	7/2014	Nelson et al.	
D718,298	S *	11/2014	Aspinall	D14/253
8,922,354	B2	12/2014	Nagara et al.	
9,079,545	B2 *	7/2015	Dugan	B60R 11/02
9,161,466	B2	10/2015	Huang	
9,162,630	B2	10/2015	Pluta	
9,254,793	B2	2/2016	Won	
D767,279	S	9/2016	Gummo	
D771,614	S *	11/2016	Chang	D14/253
D777,720	S *	1/2017	Russell	D14/253
9,573,532	B2	2/2017	Riddiford et al.	
9,616,793	B2	4/2017	Lliorca	
D788,571	S *	6/2017	Richter	D8/355
9,698,851	B2	7/2017	Andrus	
9,758,248	B2	9/2017	Procter et al.	
9,821,723	B2	11/2017	Mannarino	
D807,701	S *	1/2018	Bo	D7/507
D809,998	S	2/2018	Dabel et al.	
9,900,417	B1	2/2018	Ruiz	
D817,317	S *	5/2018	Lee	D14/253
9,987,993	B2 *	6/2018	Thorimbert	B60R 7/14
D823,062	S *	7/2018	Goodwin	D7/511
D833,369	S *	11/2018	Lan	D12/415
D835,113	S *	12/2018	Kim	D14/447
10,155,482	B2	12/2018	Corso	
D837,613	S *	1/2019	Nichols	D7/620
10,183,604	B2	1/2019	Krishnan	
D845,962	S *	4/2019	Yao	D14/447
D848,412	S *	5/2019	Greve	D14/253
D848,443	S *	5/2019	Yao	D14/447
10,284,250	B2	5/2019	Andrus	
10,308,155	B1	6/2019	Cline	
10,315,585	B2	6/2019	Minn et al.	
D858,438	S *	9/2019	Levy	D13/108
D859,395	S *	9/2019	Yao	D14/253
D867,346	S *	11/2019	Hofstede	D14/222
D867,999	S *	11/2019	Li	D13/144
D868,036	S *	11/2019	Sohn	D14/218
D868,540	S *	12/2019	Kemker	D7/584
D868,619	S *	12/2019	Fohr	D11/152
D868,740	S *	12/2019	Kang	D14/216
D869,328	S *	12/2019	Nelson	D11/152
D869,951	S *	12/2019	Yi	D9/500
D870,040	S *	12/2019	Wu	D13/108
D870,094	S *	12/2019	Ma	D14/253
D870,923	S *	12/2019	Panagiotis	D26/9
D871,149	S *	12/2019	Kaiser	D7/523
D871,152	S *	12/2019	Hudson	D7/536
D872,380	S *	1/2020	Liu	D30/129
D872,511	S *	1/2020	Parks	D7/300.1
D872,537	S *	1/2020	Guccione	D7/532
D872,539	S *	1/2020	Hewitt	D7/536
D872,725	S *	1/2020	Lindof	D14/253
D872,727	S *	1/2020	Chung	D14/253
2002/0049081	A1	4/2002	Heininger	
2002/0094078	A1	7/2002	Edwards	

OTHER PUBLICATIONS

CupFone, WeatherTech.com, [online], [site visited Jan. 16, 2020]. <URL: <https://www.weathertech.com/weathertech-cupfone/cupfone/>> (Year: 2020).*

WeatherTech CupFone: Up-Close Look, YouTube.com, WeatherTech, Published on Feb. 18, 2019, [online], [site visited Jan. 16, 2020]. <URL: <https://www.youtube.com/watch?v=OARZXf2c6cU>> (Year: 2019).*

Green Sprouts Dream Window Stacking Cups 6 Counts, BabyPallet.com, [online], [site visited Jan. 16, 2020]. <URL: <https://babypallet.com/product/green-sprouts-dream-window-stacking-cups-6-counts/>> (Year: 2020).*

amazon.com, website, image of Belkin Car Cup Holder for Smartphones, downloaded on Jan. 17, 2019.

amazon.com, website, image of Custom Accessories 23384 Heavy Cup Mount Magnetic Phone Holder, downloaded on Jan. 17, 2019.

amazon.com, website, image of Macally Adjustable Automobile Cup Holder Phone Mount, downloaded on Jan. 17, 2019.

amazon.com, website, image of Mediabridge Smartphone Cradle w/Extended Cup Holder Mount, downloaded on Jan. 17, 2019.

amazon.com, website, image of NNDA CO Universal Adjustable Gooseneck Cup Holder Cradle Car Mount for Phone, downloaded on Jan. 17, 2019.

amazon.com, website, image of Sunjoyco Car Cup Holder Mount for Phone Tablet, 2-in-1 Car Cradles Adjustable Gooseneck Holder, downloaded on Jan. 17, 2019.

amazon.com, website, image of Tackform Solutions Car Phone Holder Magnetic Mount, downloaded on Jan. 17, 2019.

amazon.com, website, image of TNP Cup Holder Phone Mount, Universal Car Cup Smartphone Cradle Clamp w/ Flexible Neck, downloaded on Jan. 17, 2019.

amazon.com, website, image of USA Gear Cup Holder Suction Mount Surface Adapter, downloaded on Jan. 17, 2019.

crutchfield.com, website, image of Bracketron BT 16572 PhabGrip cup holder mount, downloaded on Jan. 17, 2019.

HDAccessory.com, website, image of Universal Smartphone Cup Holder Mount, downloaded on Jan. 17, 2019.

stacksocial.com, website, image of U-Grip Cup Holder Car Mount for Phones and Tablets, downloaded on Jan. 17, 2019.

walmart.com, website, image of Universal Adjustable Gooseneck Cup Holder Cradle Car Mount for Cell Phone, downloaded on Jan. 17, 2019.

rakuten.com, website, image of Smartphone 8" Long Car Cup Holder, IKross Phone Mount, downloaded on Jan. 17, 2019.

* cited by examiner

Primary Examiner — T Chase Nelson
Assistant Examiner — Jonathan J. Han
 (74) *Attorney, Agent, or Firm* — Perkins IP Law Group LLC; Jefferson Perkins

(57) **CLAIM**

We claim the ornamental design for a vehicle cup holder cell phone mount, as shown and described.

DESCRIPTION

FIG. 1 is a top front perspective view of a first configuration of our design in which two of four shells of our design have been assembled to a base of our design, a pier, cell phone bracket, cell phone and power cord being shown in dotted line as environmental structure;

FIG. 2 is front top perspective view of a second configuration of our design, in which no shells of our design have been assembled to the base, the pier and cell phone bracket being shown in dotted line as environmental structure;

FIG. 3 is a front view of our design as configured in FIG. 2;

FIG. 4 is a right side view of our design as configured in FIG. 2;

FIG. 5 is a left side view of our design as configured in FIG. 2;

FIG. 6 is a rear view of our design as configured in FIG. 2;

FIG. 7 is a top view of our design as configured in FIG. 2;

FIG. 8 is a bottom view of our design as configured in FIG. 2;

FIG. 9 is a top front perspective view of a third configuration of our design, in which first, second, third and fourth shells have been assembled to the base;

FIG. 10 is a front view of our design as configured in FIG. 9;

FIG. 11 is a top view of our design as configured in FIG. 9;

FIG. 12 is a bottom view of our design as configured in FIG. 9;

FIG. 13 is a top front exploded perspective view of our design as configured in FIG. 9;

FIG. 14 is a bottom rear exploded perspective view of our design as configured in FIG. 9;

FIG. 15 is a front-to-rear axial sectional view of our design as configured in FIG. 9;

FIG. 16 is a bottom perspective view of a first shell forming a portion of our design;

FIG. 17 is a side view of the first shell;

FIG. 18 is a bottom view of the first shell;

FIG. 19 is a top view of the first shell;

FIG. 20 is a top perspective view of the first shell;

FIG. 21 is a partial sectional detail of the lip region of the first shell taken along 21-21 in FIG. 20;

FIG. 22 is a bottom perspective view of a second shell forming a portion of our design;

FIG. 23 is a side view of the second shell;

FIG. 24 is bottom view of the second shell;

FIG. 25 is a top view of the second shell;

FIG. 26 is a top perspective view of the second shell;

FIG. 27 is a partial sectional detail of the lip region of the second shell taken along 27-27 in FIG. 26;

FIG. 28 is a bottom perspective view of a third shell forming a portion of our design;

FIG. 29 is a side view of the third shell;

FIG. 30 is bottom view of the third shell;

FIG. 31 is a top view of the third shell;

FIG. 32 is a top perspective view of the third shell;

FIG. 33 is a partial sectional detail of the lip region of the third shell taken along 33-33 in FIG. 32;

FIG. 34 is a bottom perspective view of a fourth shell forming a portion of our design;

FIG. 35 is a side view of the fourth shell;

FIG. 36 is bottom view of the fourth shell;

FIG. 37 is a top view of the fourth shell;

FIG. 38 is a top perspective view of the fourth shell; and,

FIG. 39 is a partial sectional detail of the lip region of the fourth shell taken along 39-39 in FIG. 38.

The dotted lines shown in the drawings illustrate environment and portions of the vehicle cup holder cell phone mount that form no part of the claimed design.

1 Claim, 21 Drawing Sheets

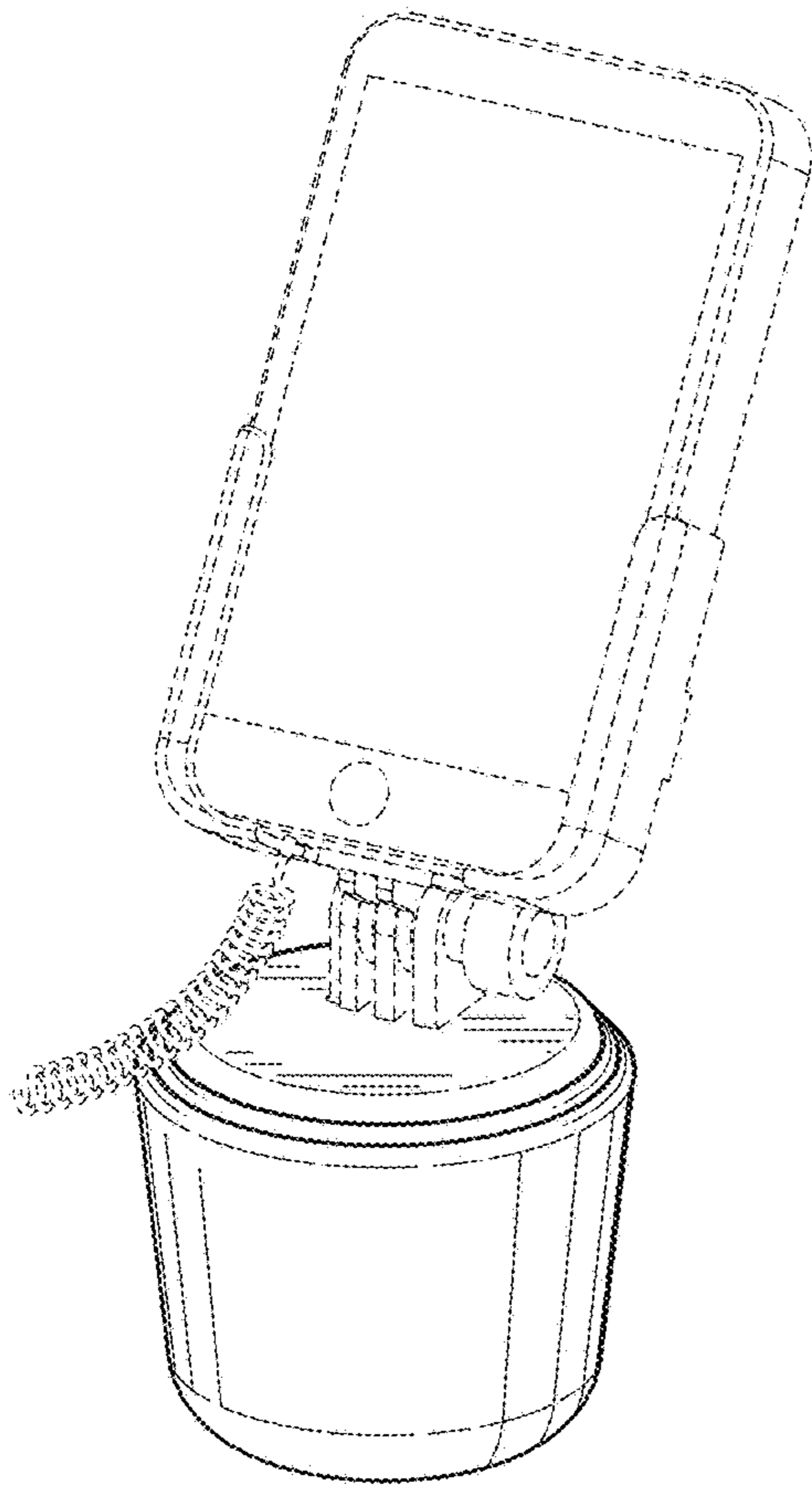


FIG. 1

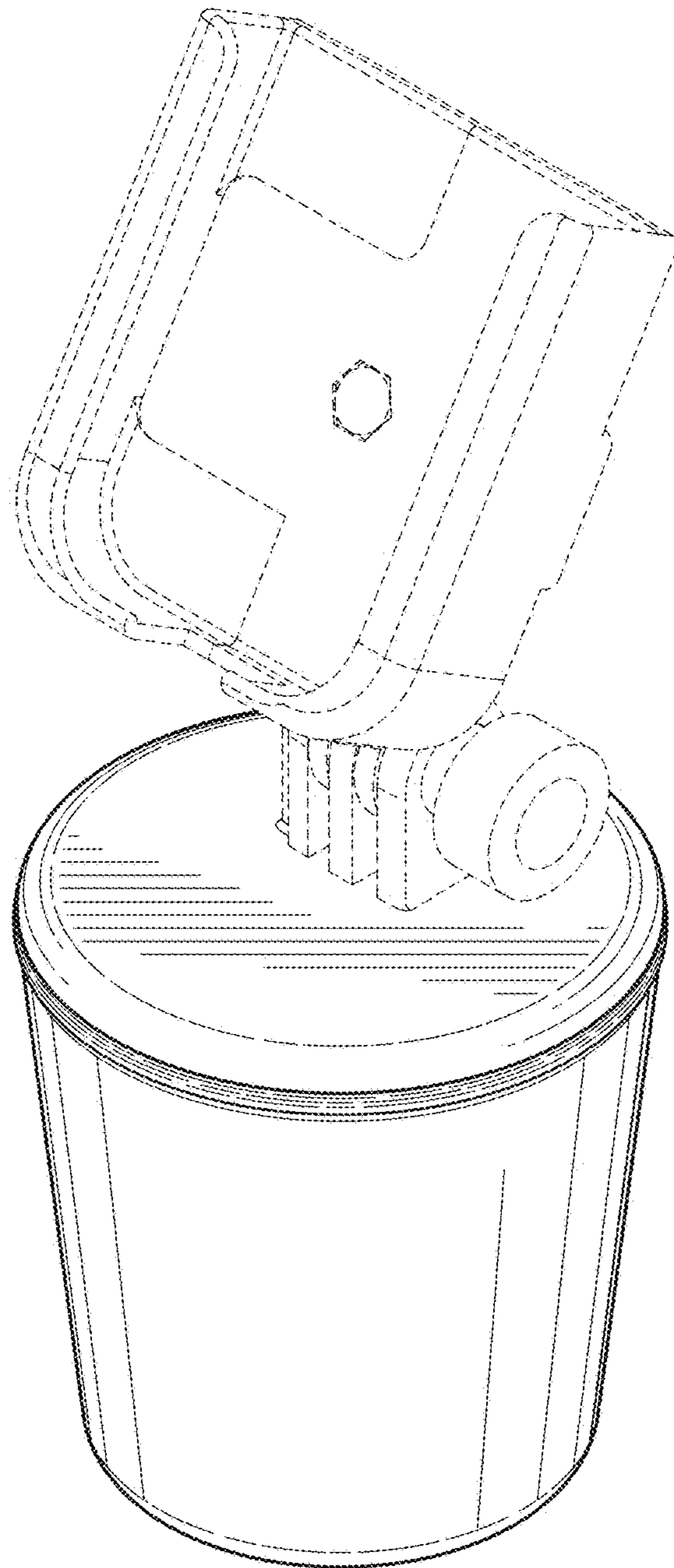


FIG. 2

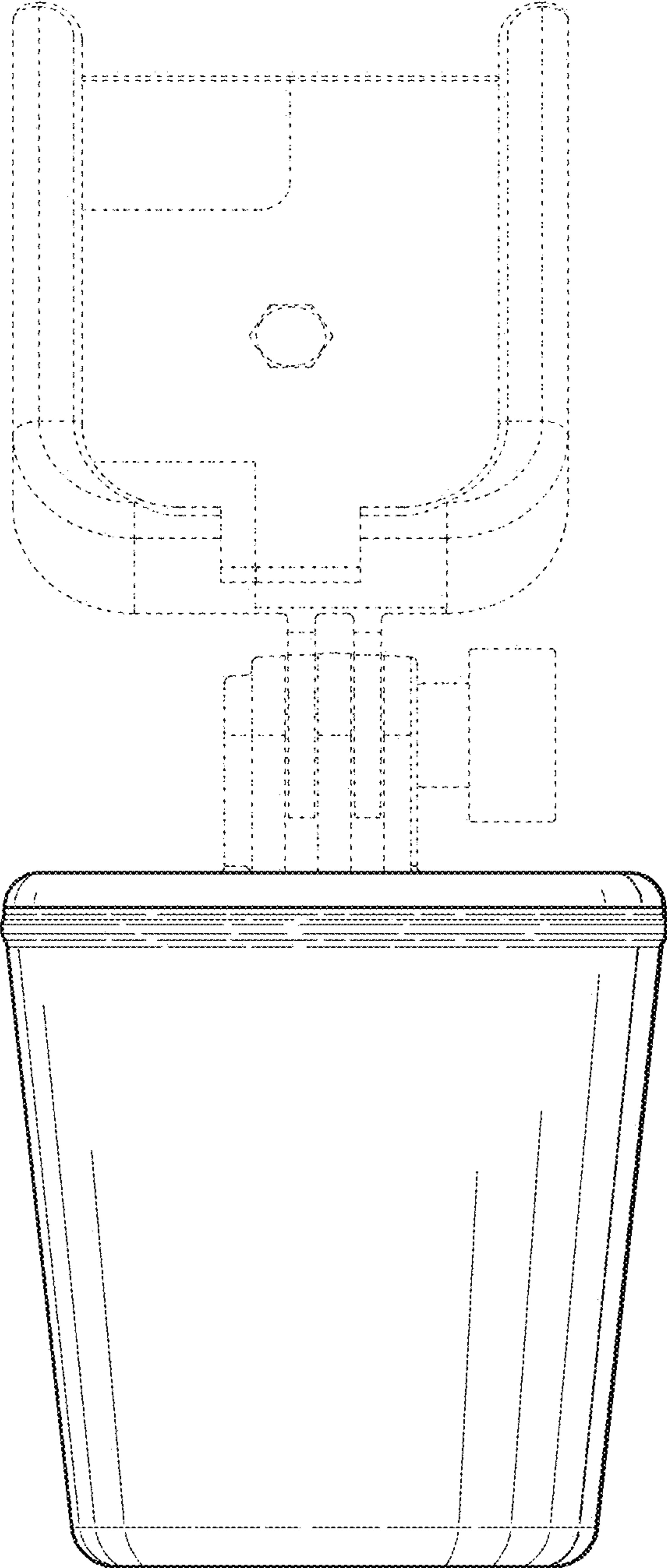


FIG. 3

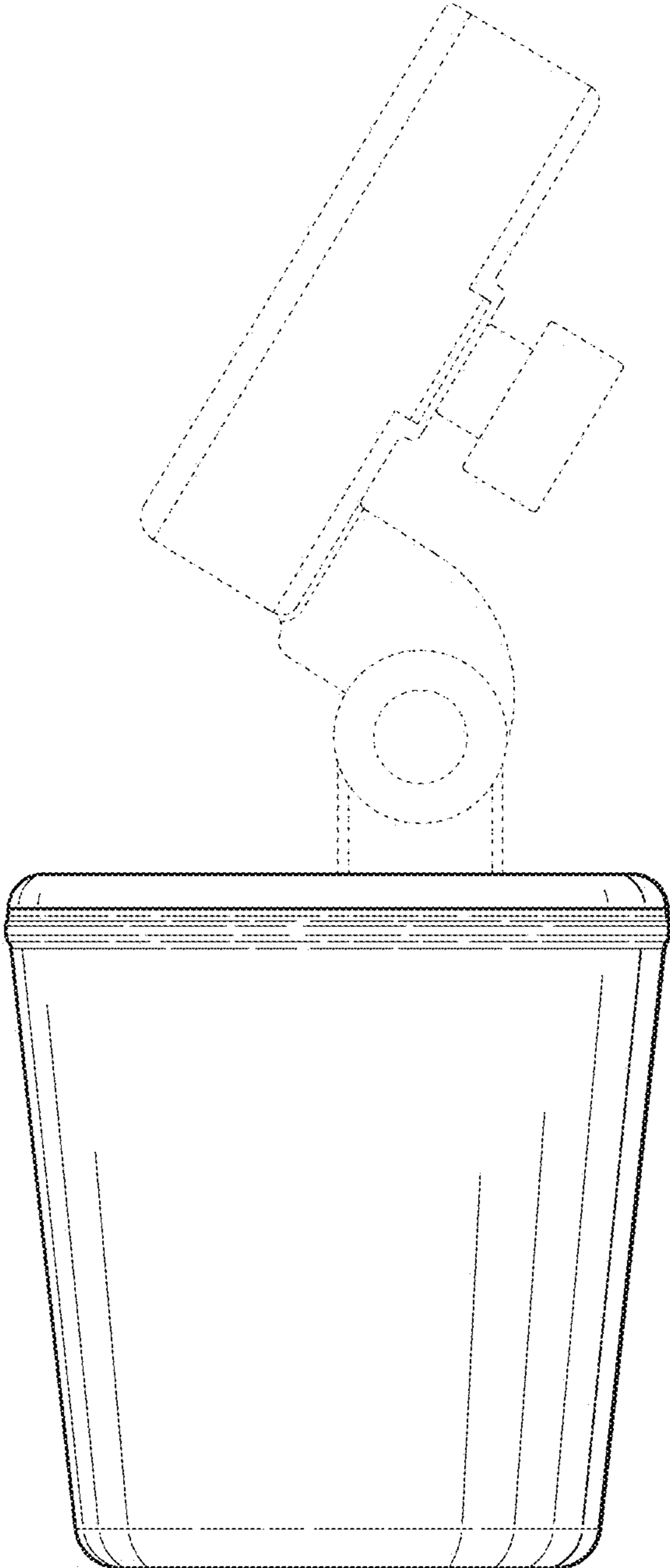


FIG. 4

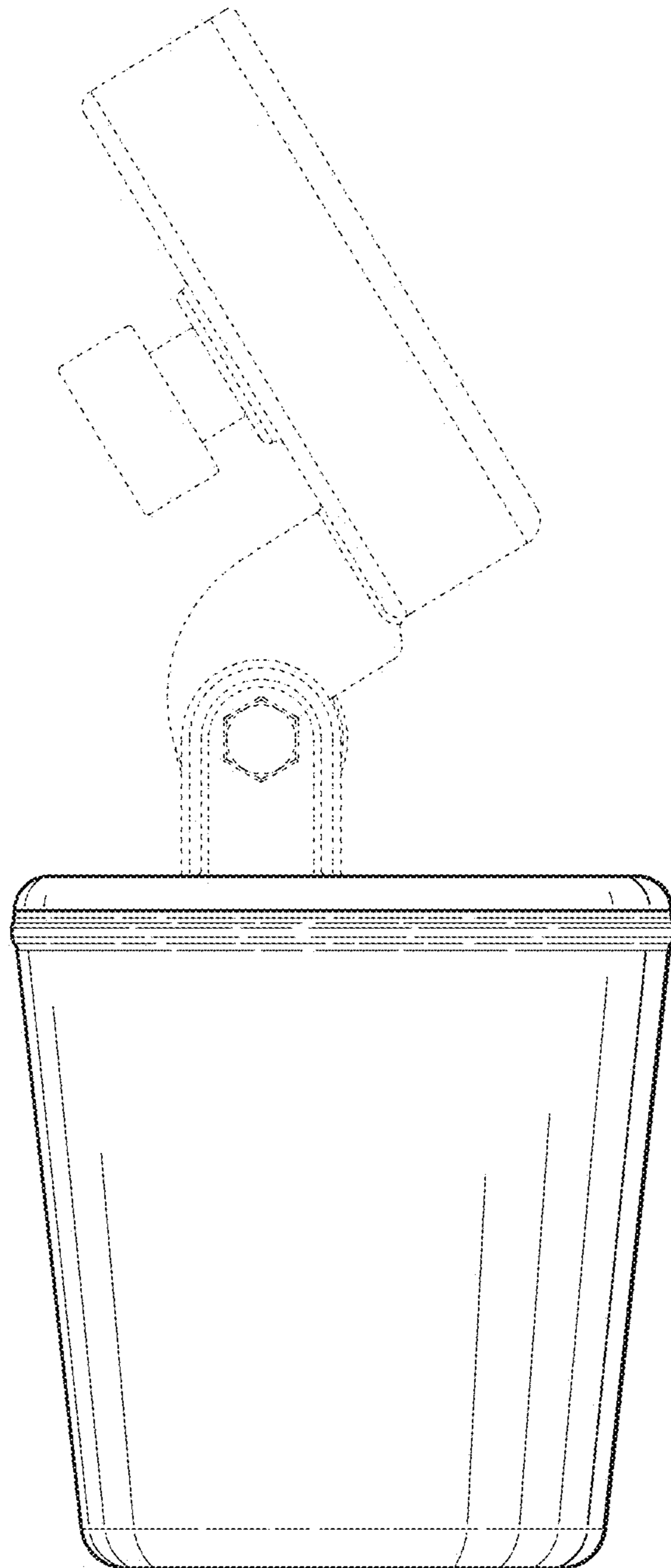


FIG. 5

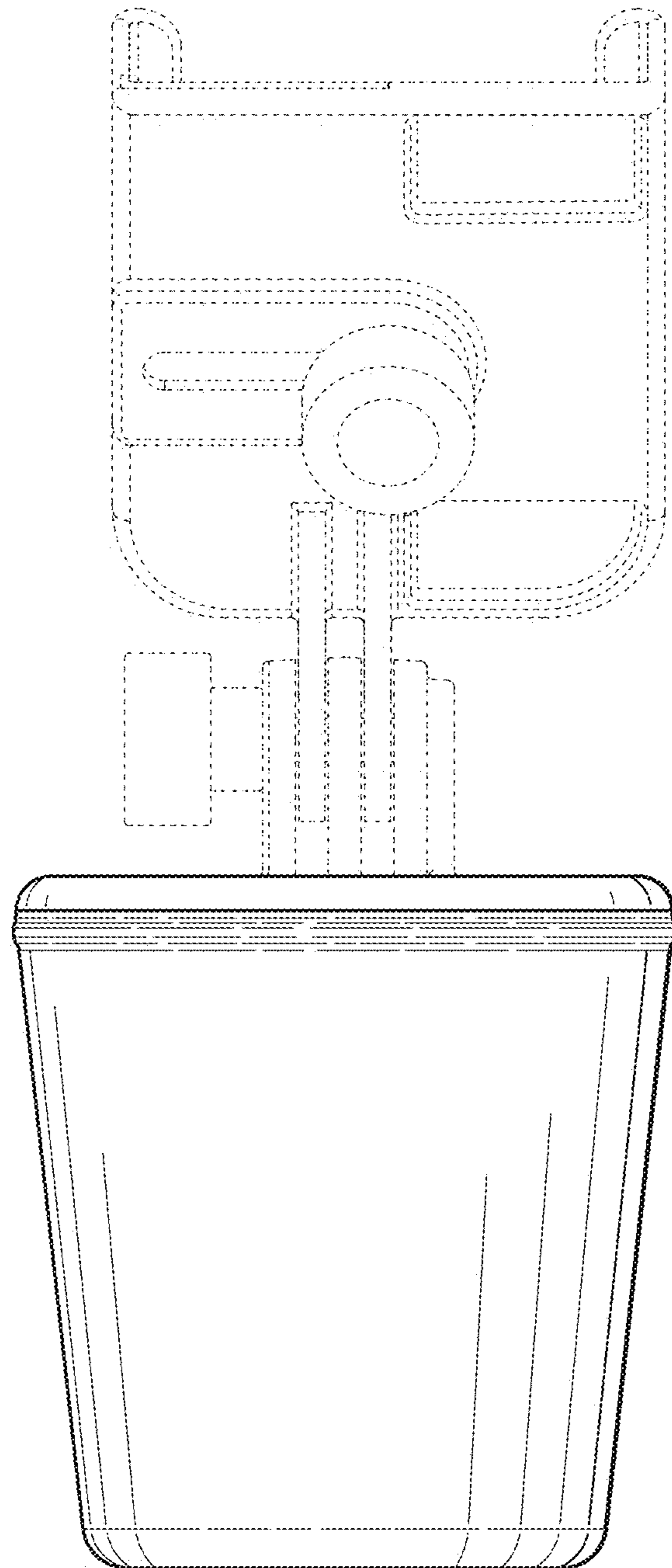


FIG. 6

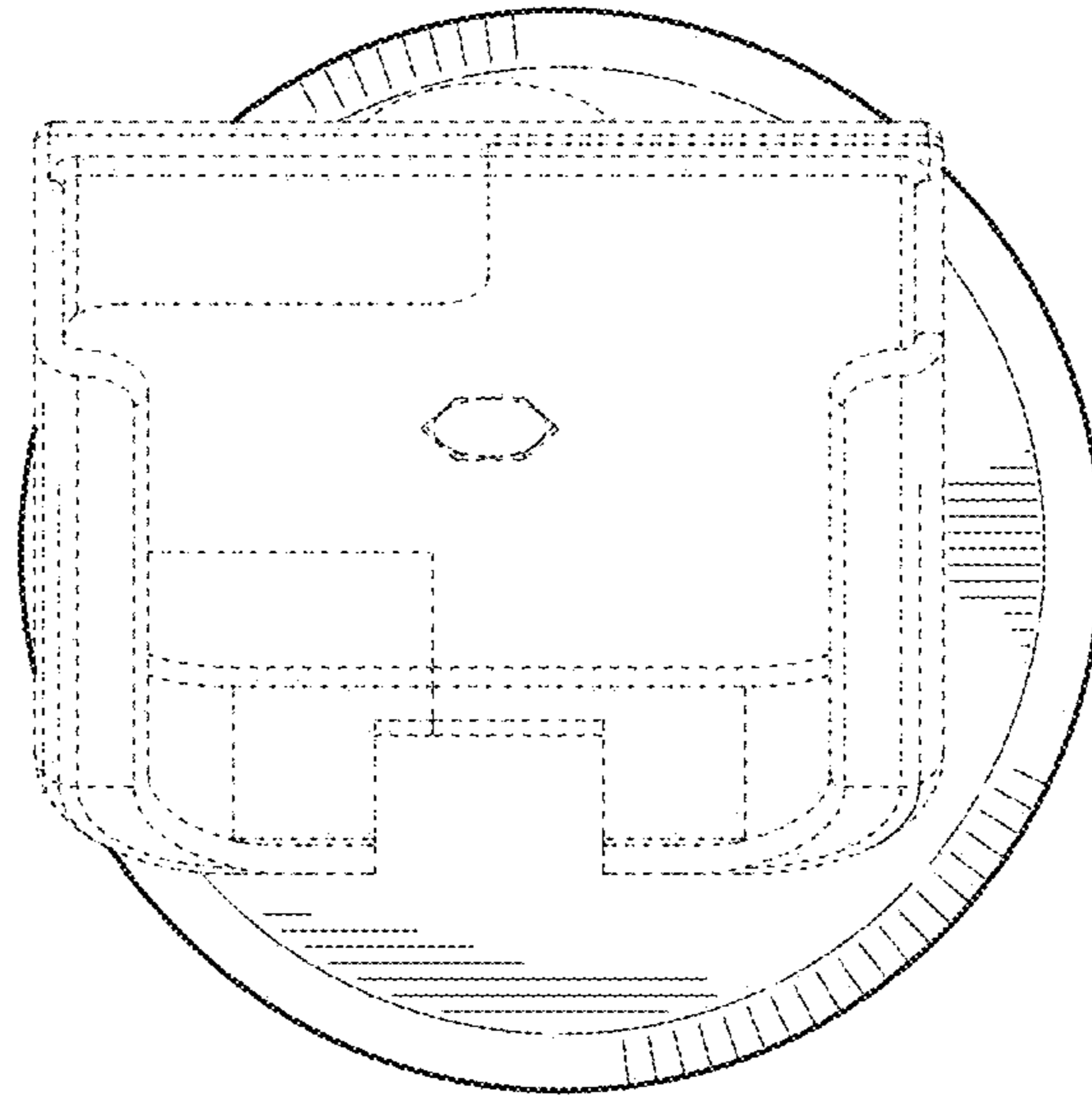


FIG. 7

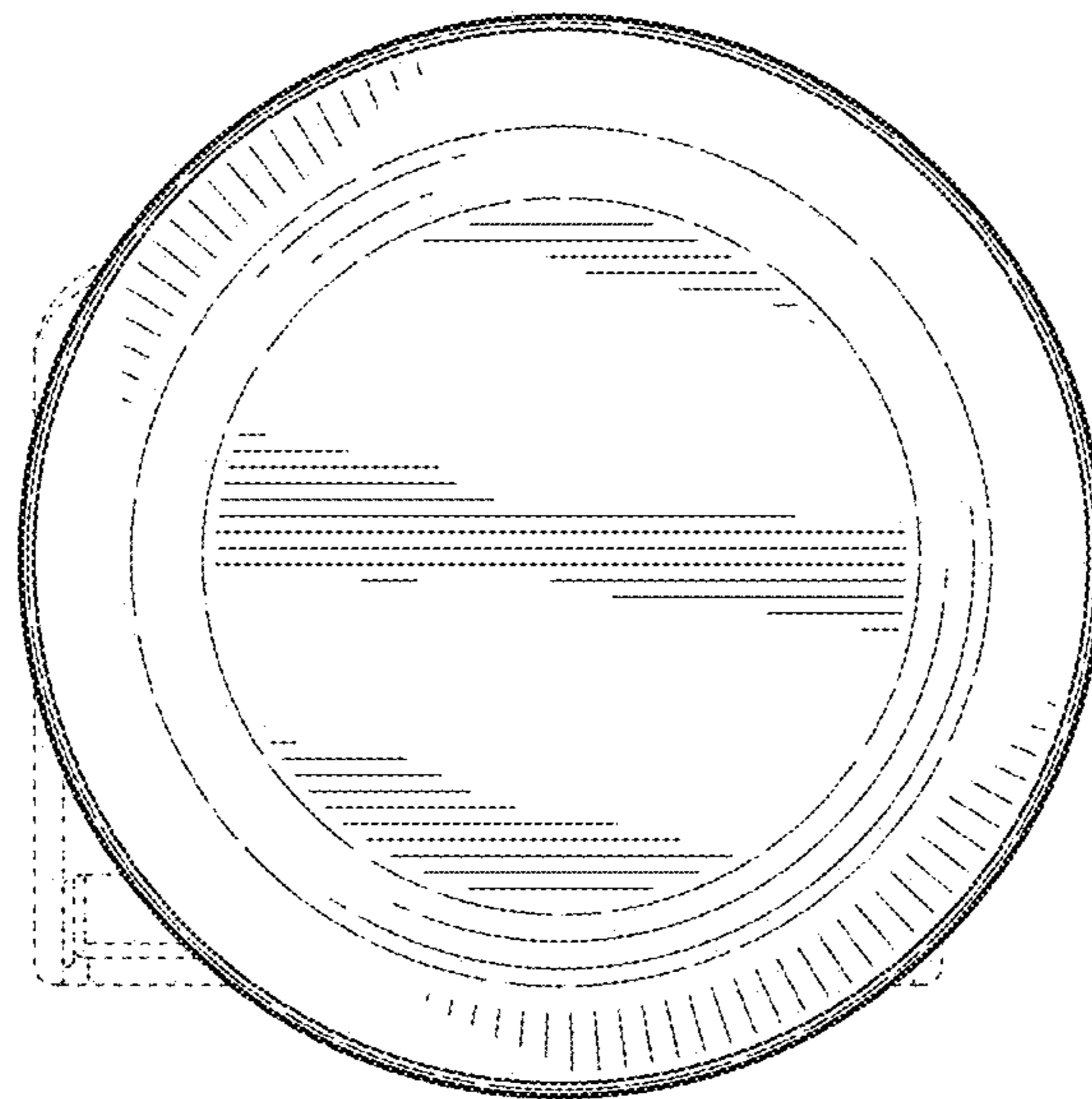


FIG. 8

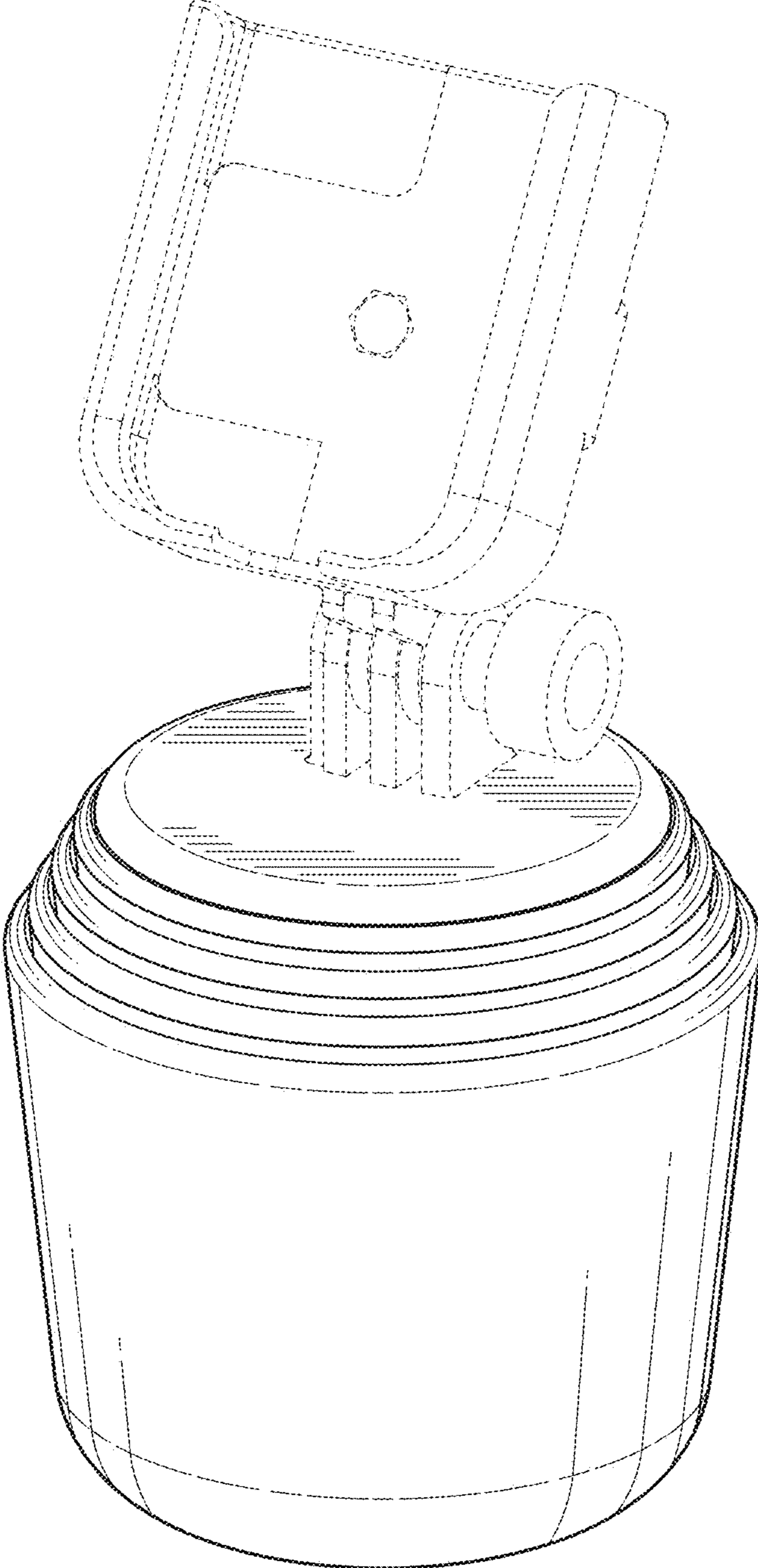


FIG. 9

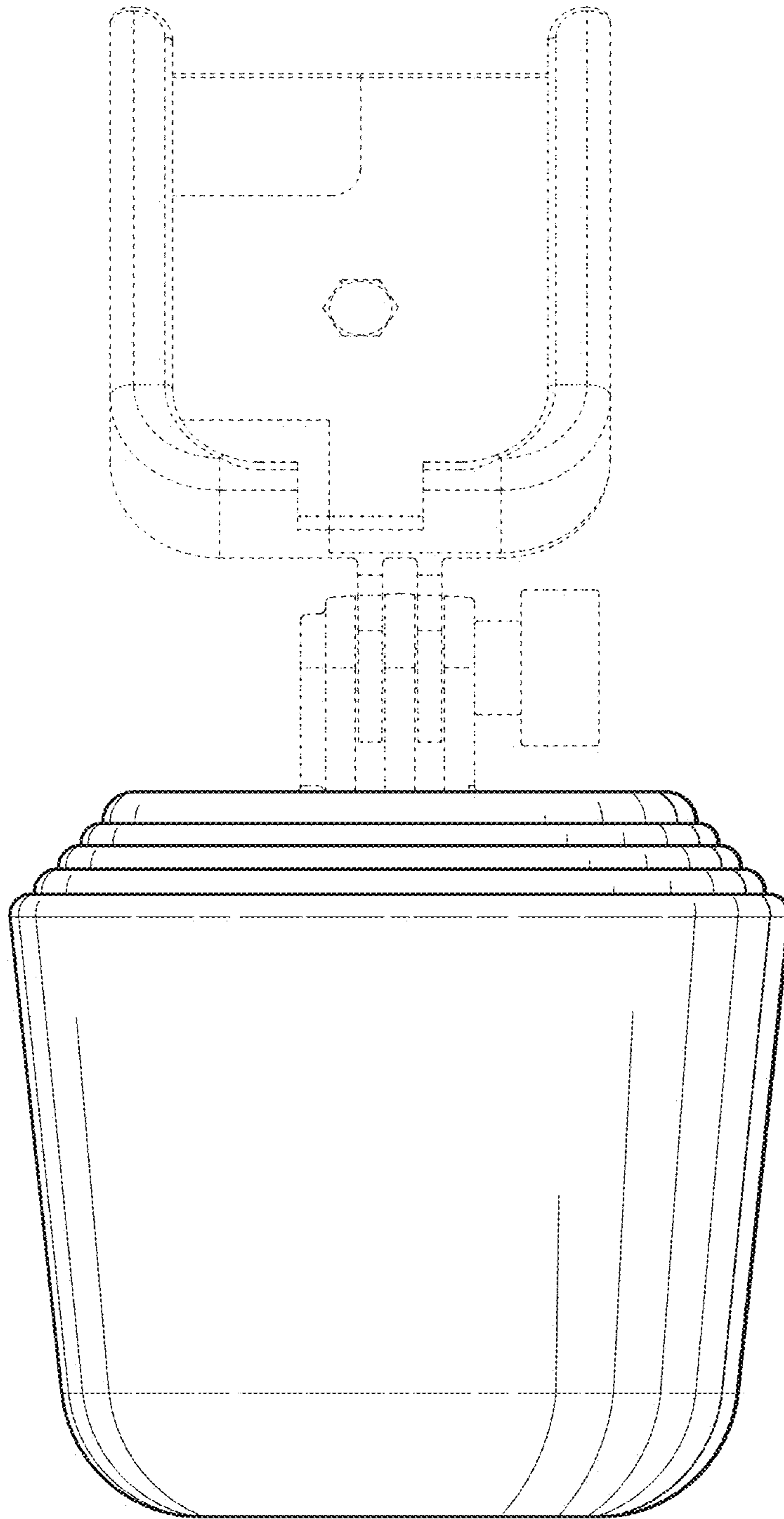


FIG. 10

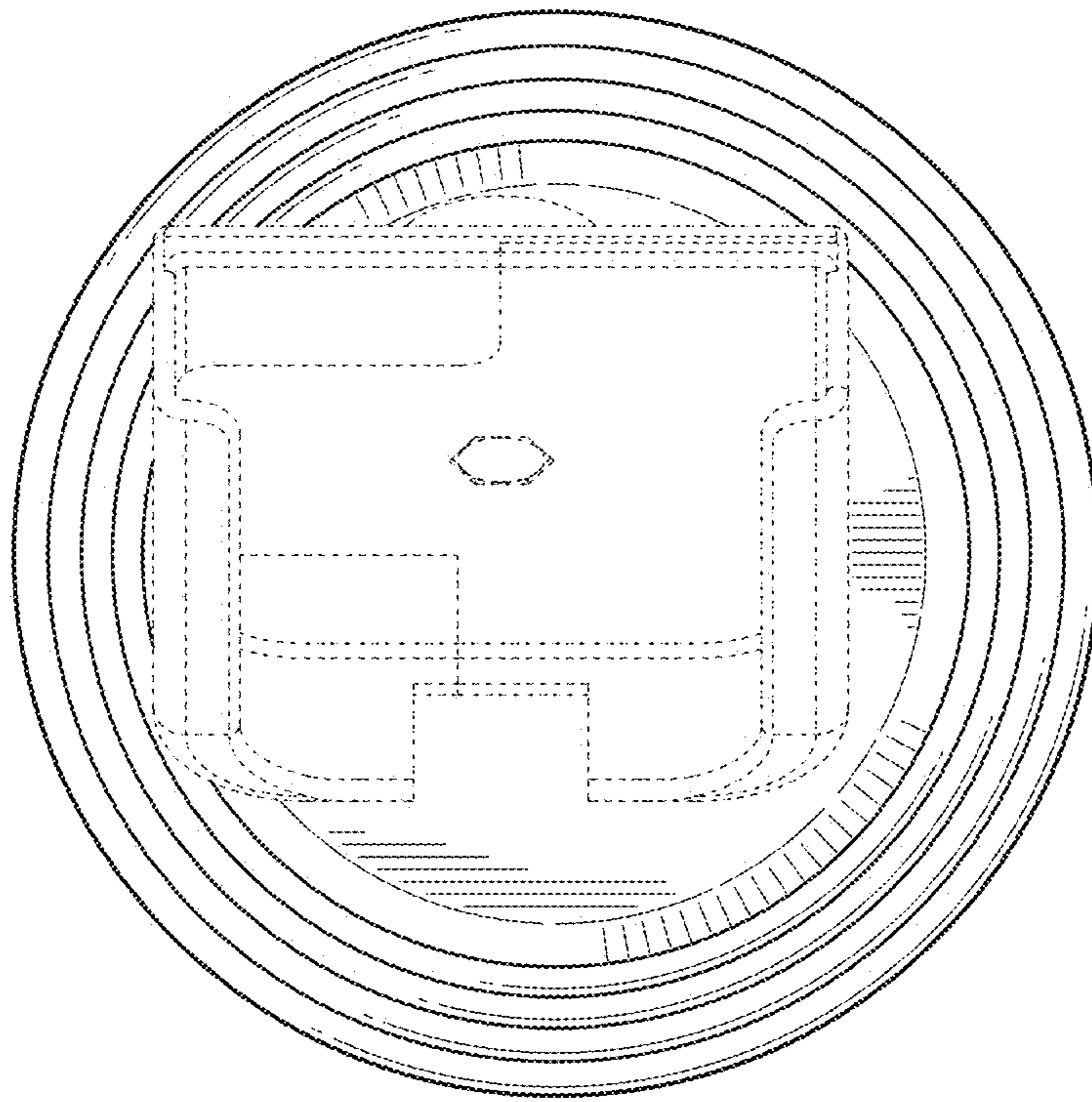


FIG. 11

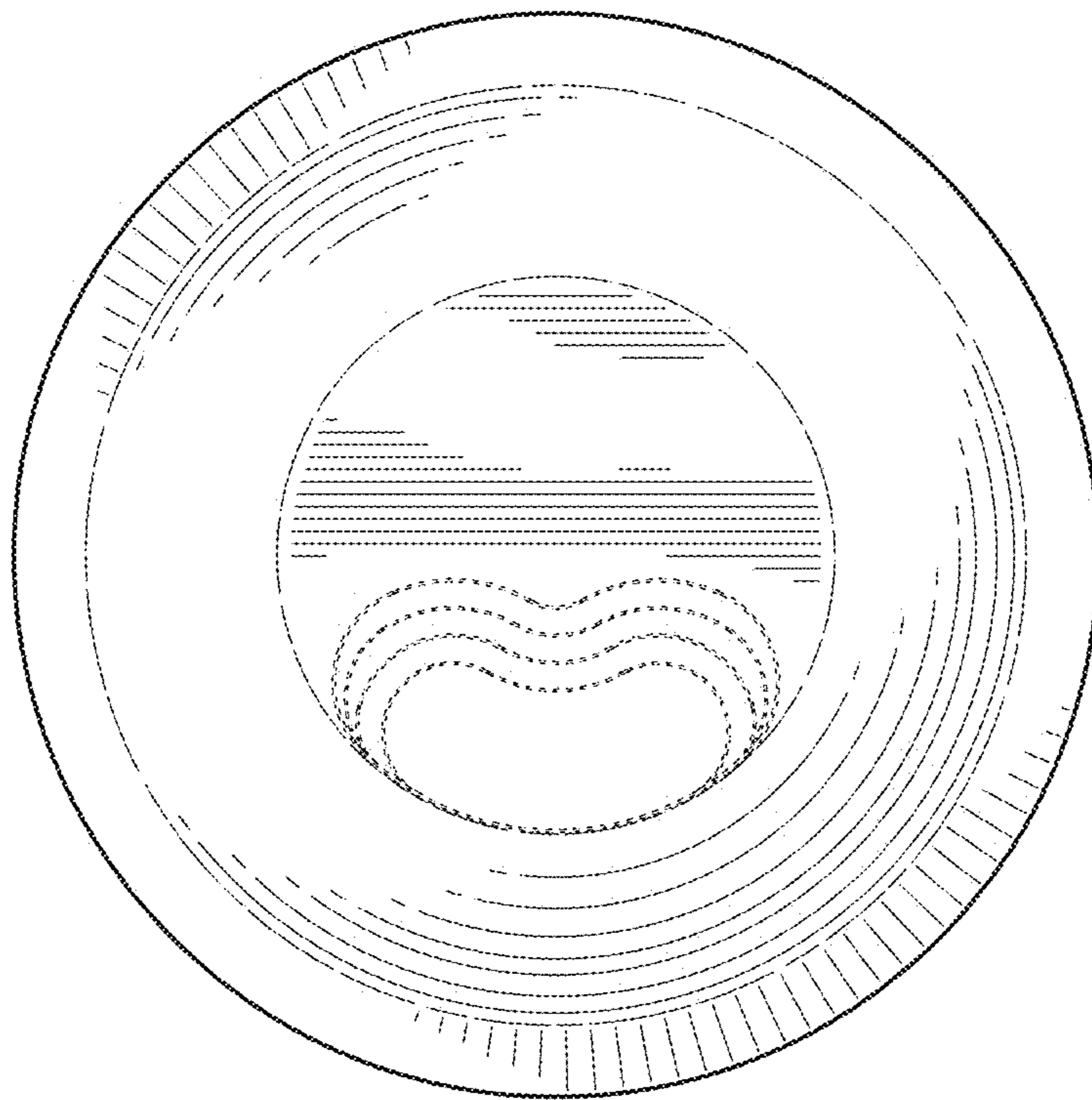
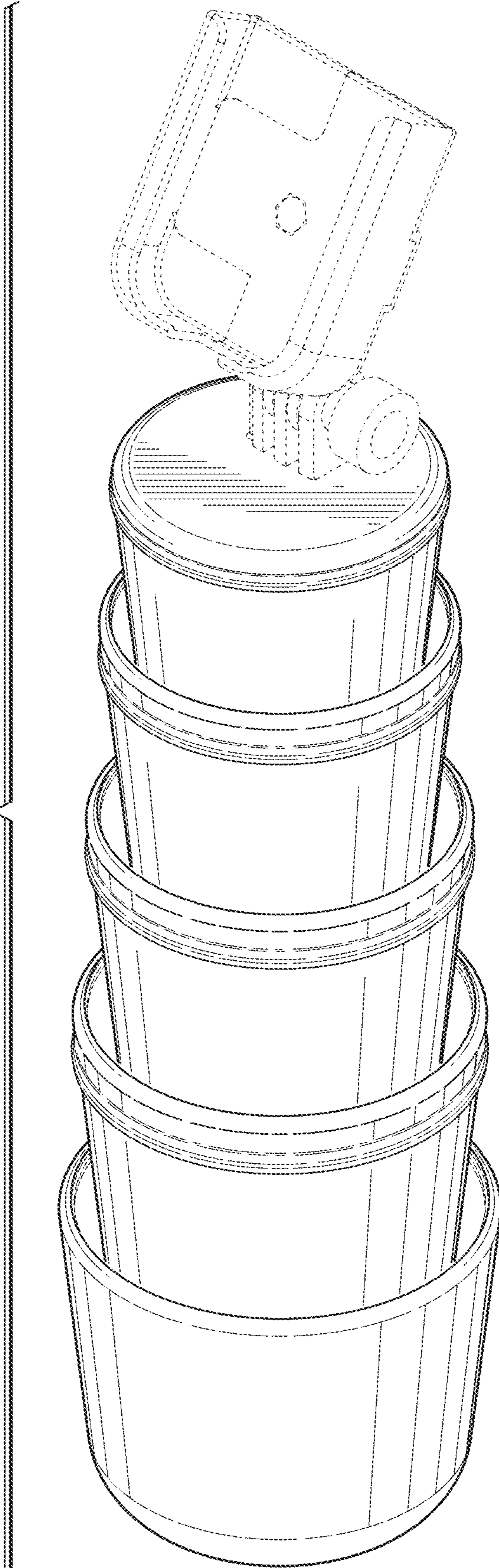


FIG. 12

FIG. 13



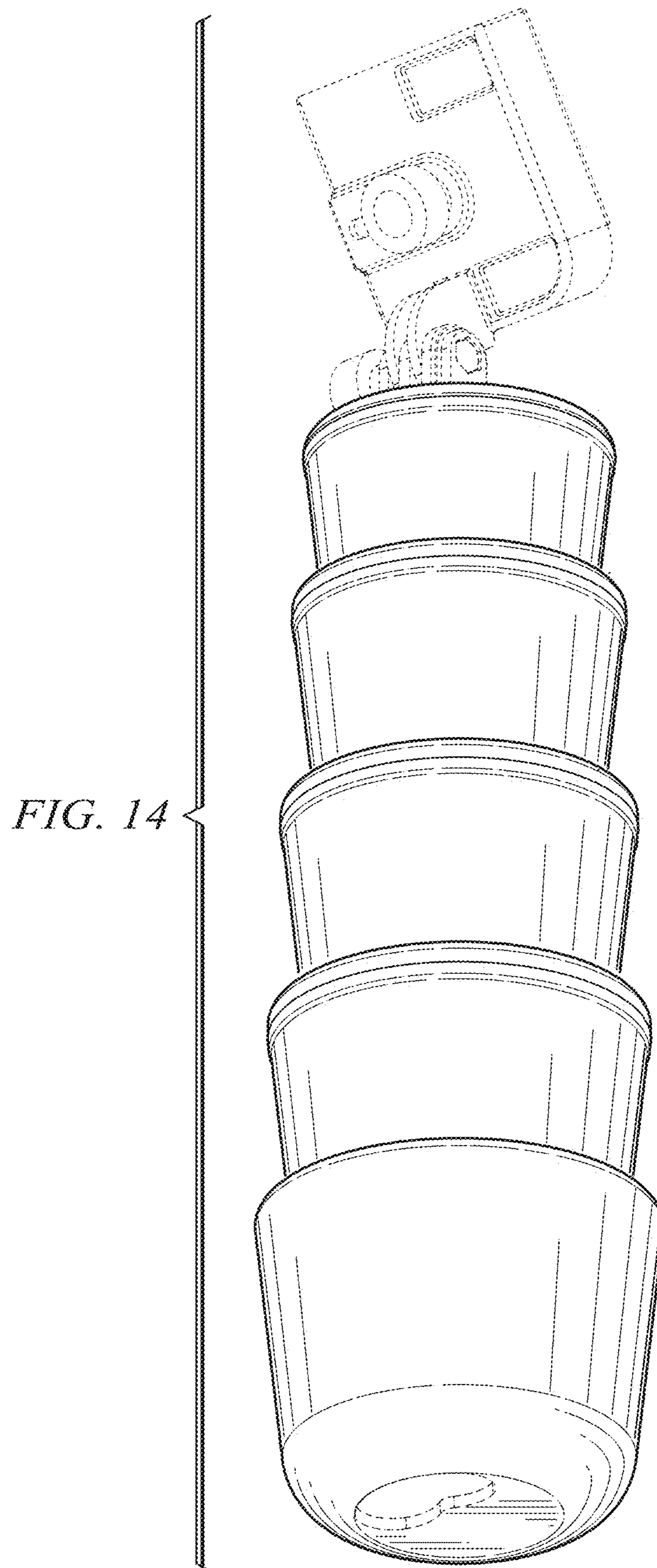
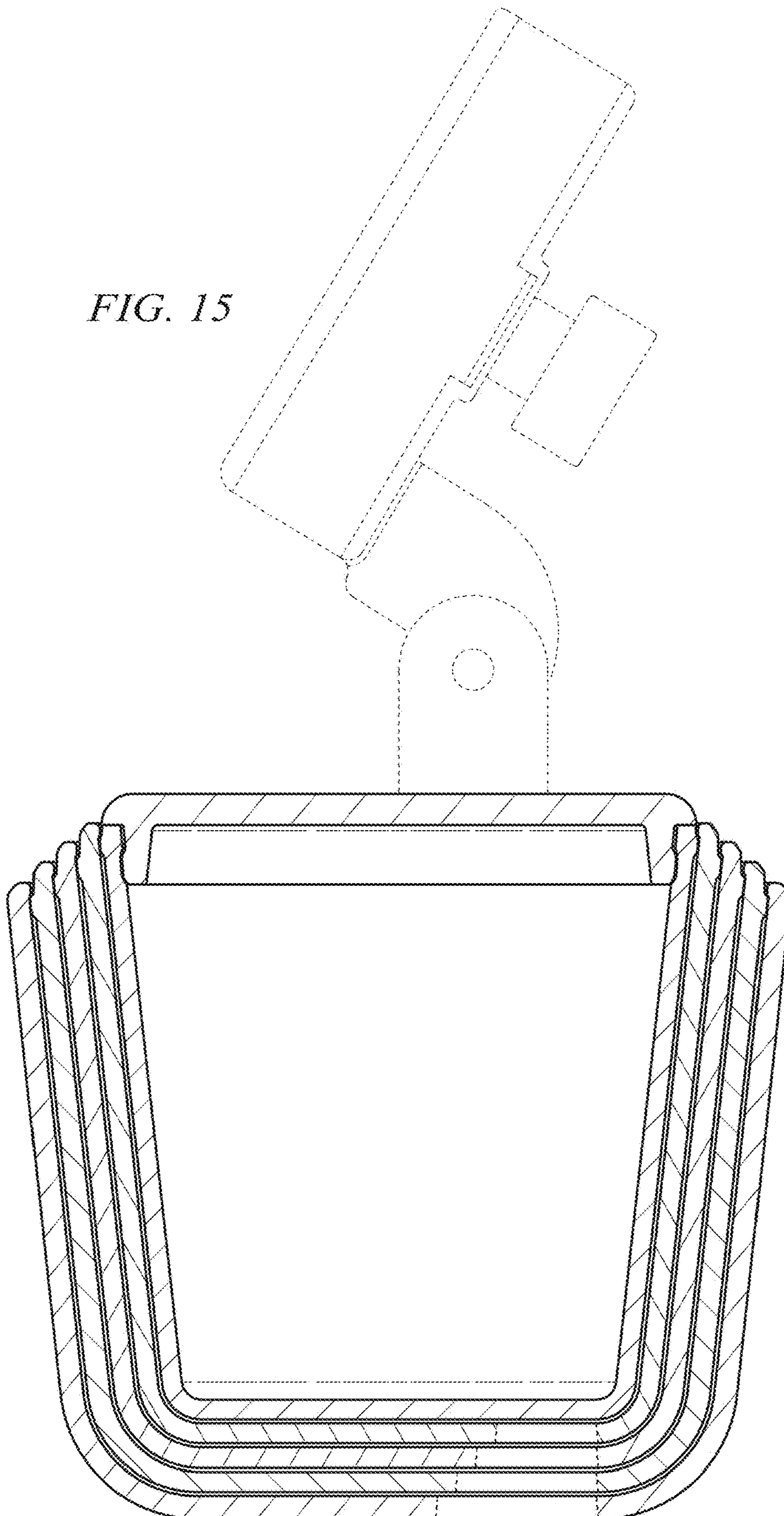


FIG. 15



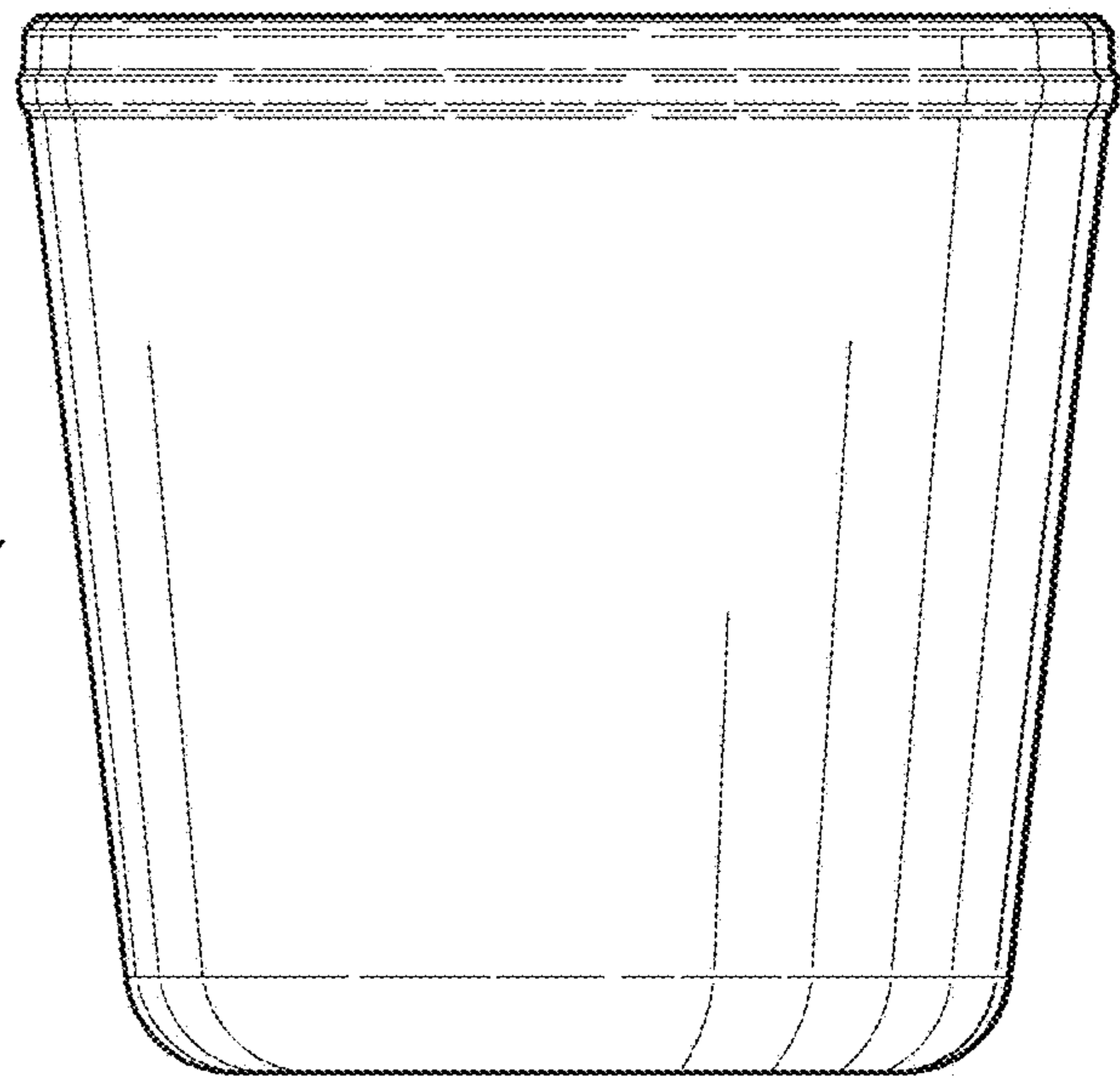


FIG. 17

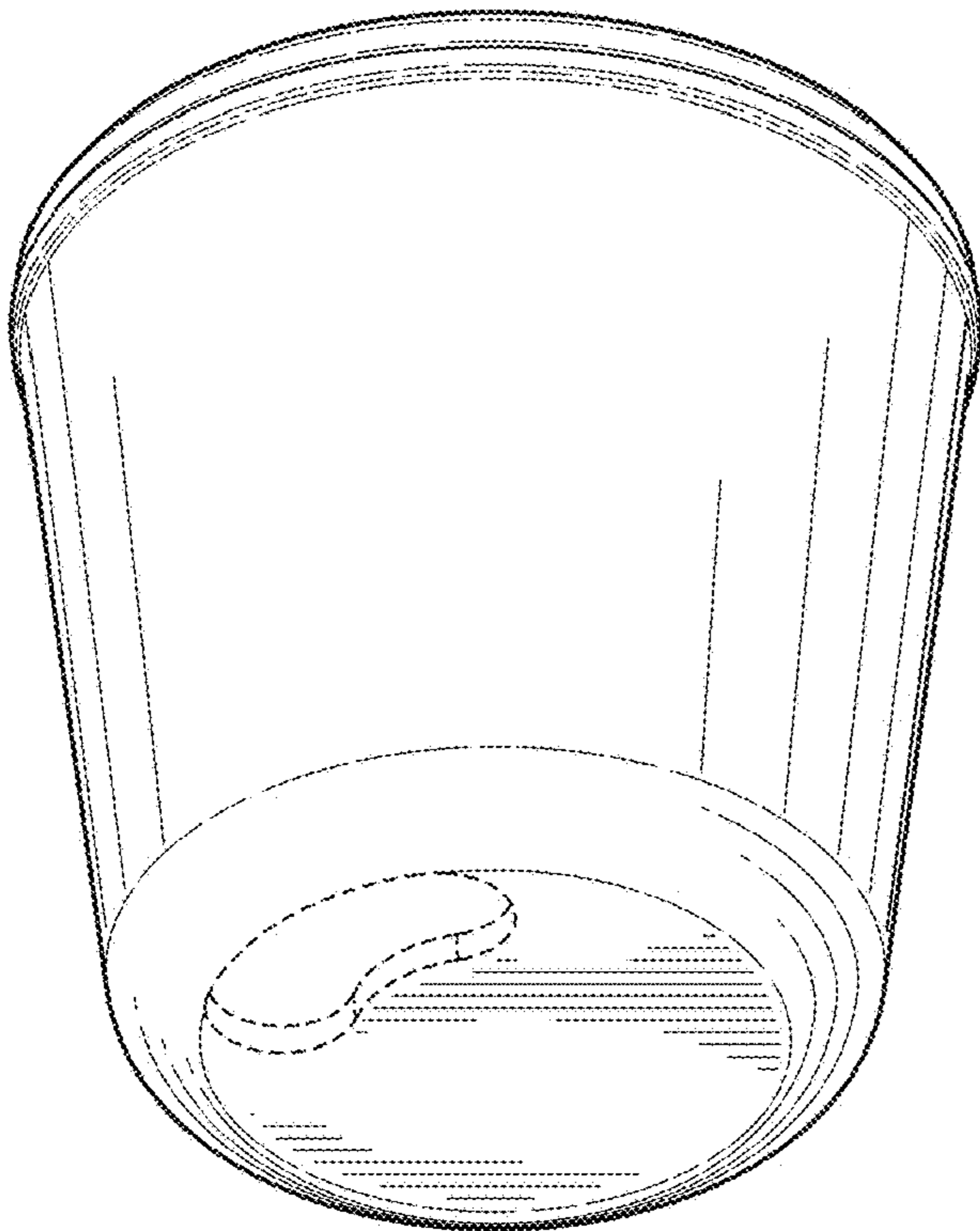


FIG. 16

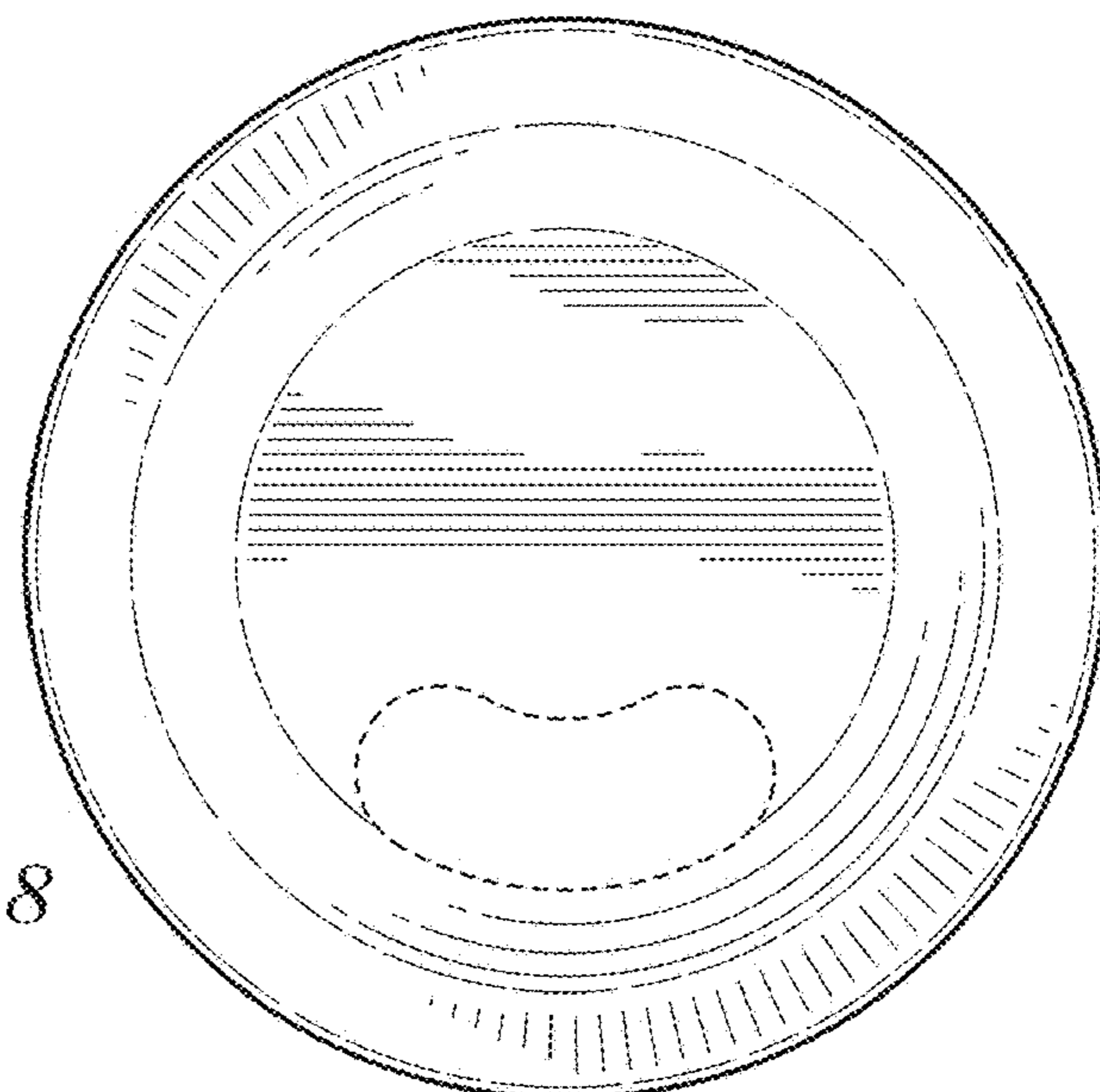


FIG. 18

FIG. 19

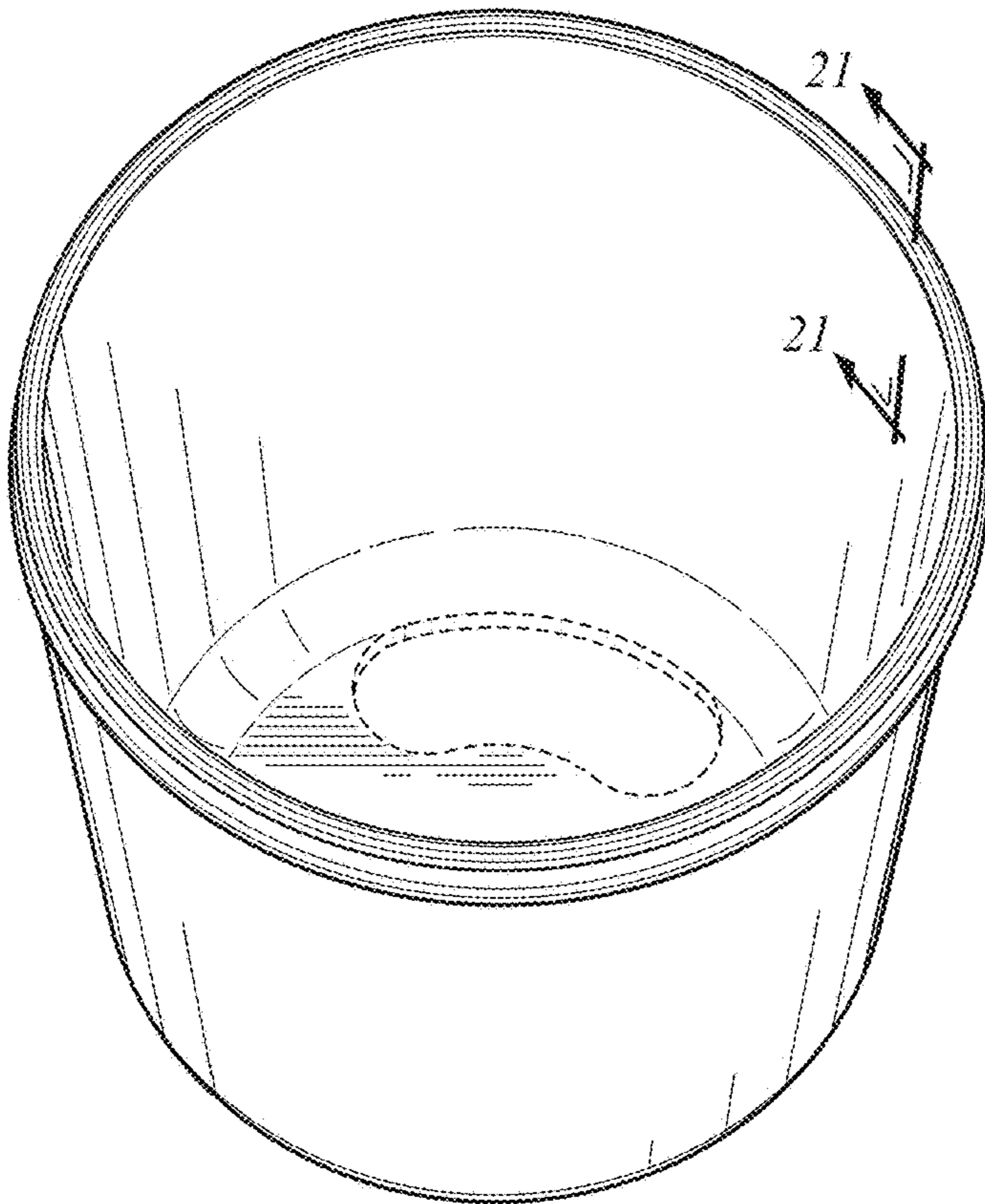
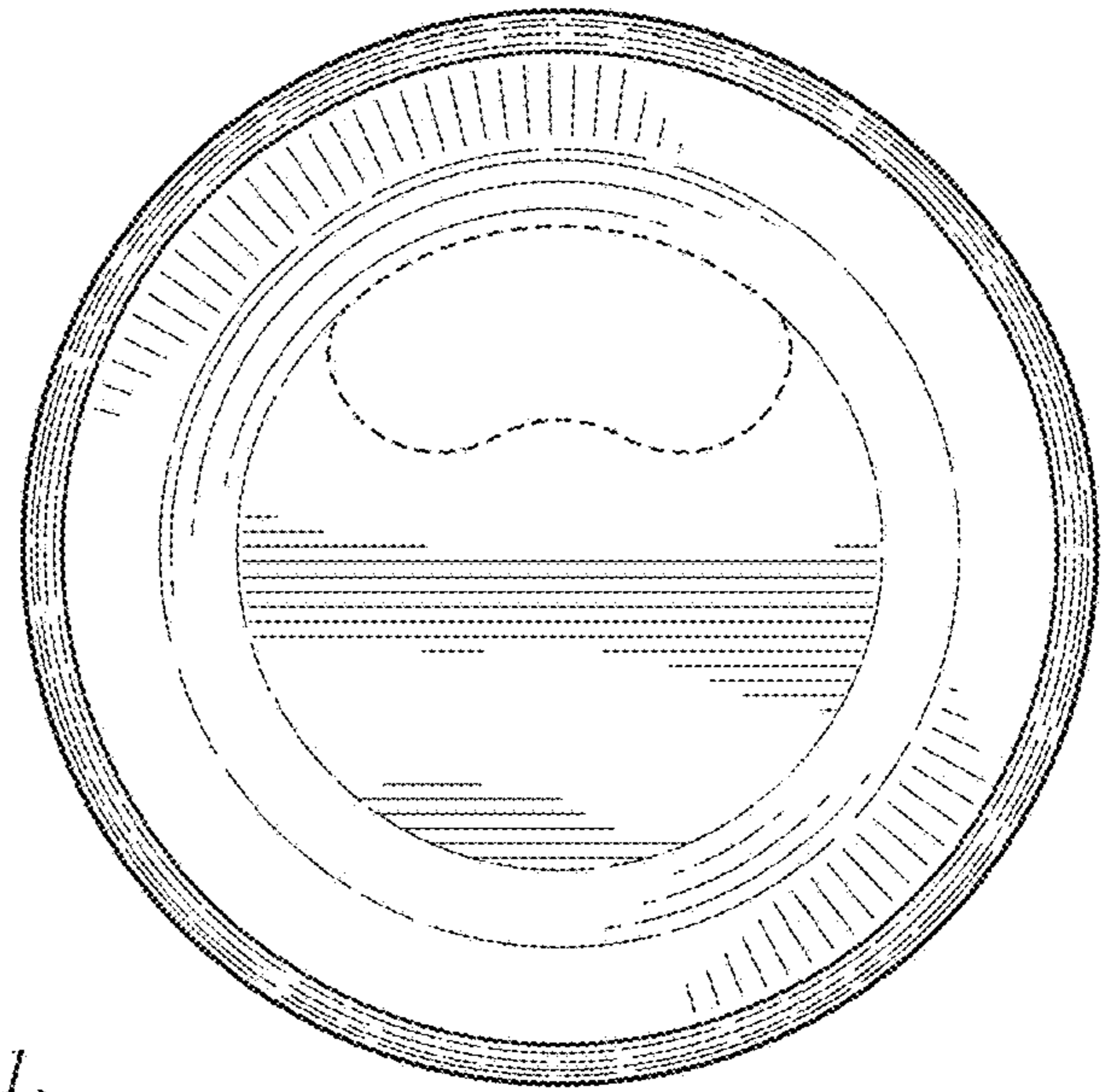
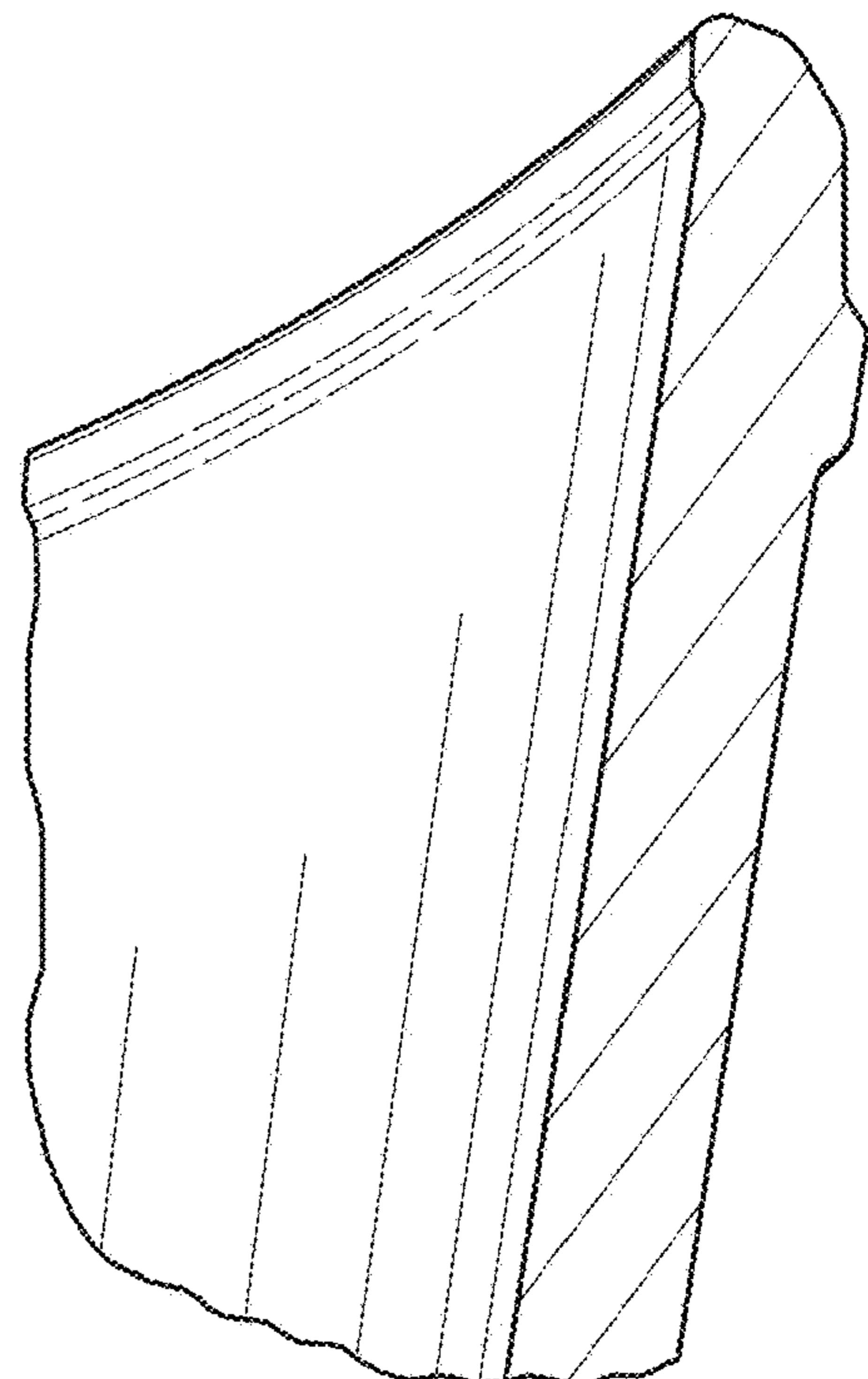


FIG. 20

FIG. 21



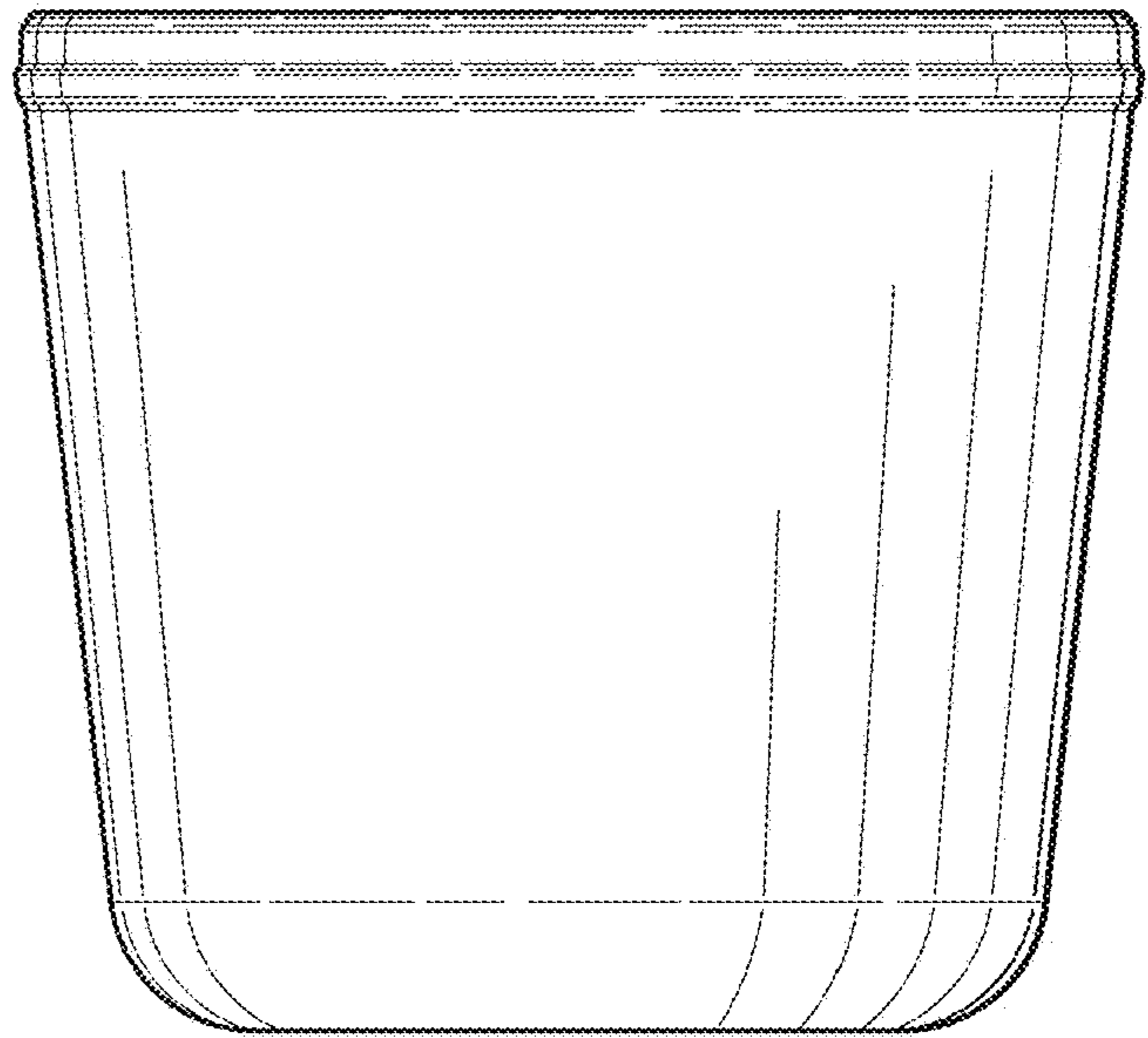


FIG. 23

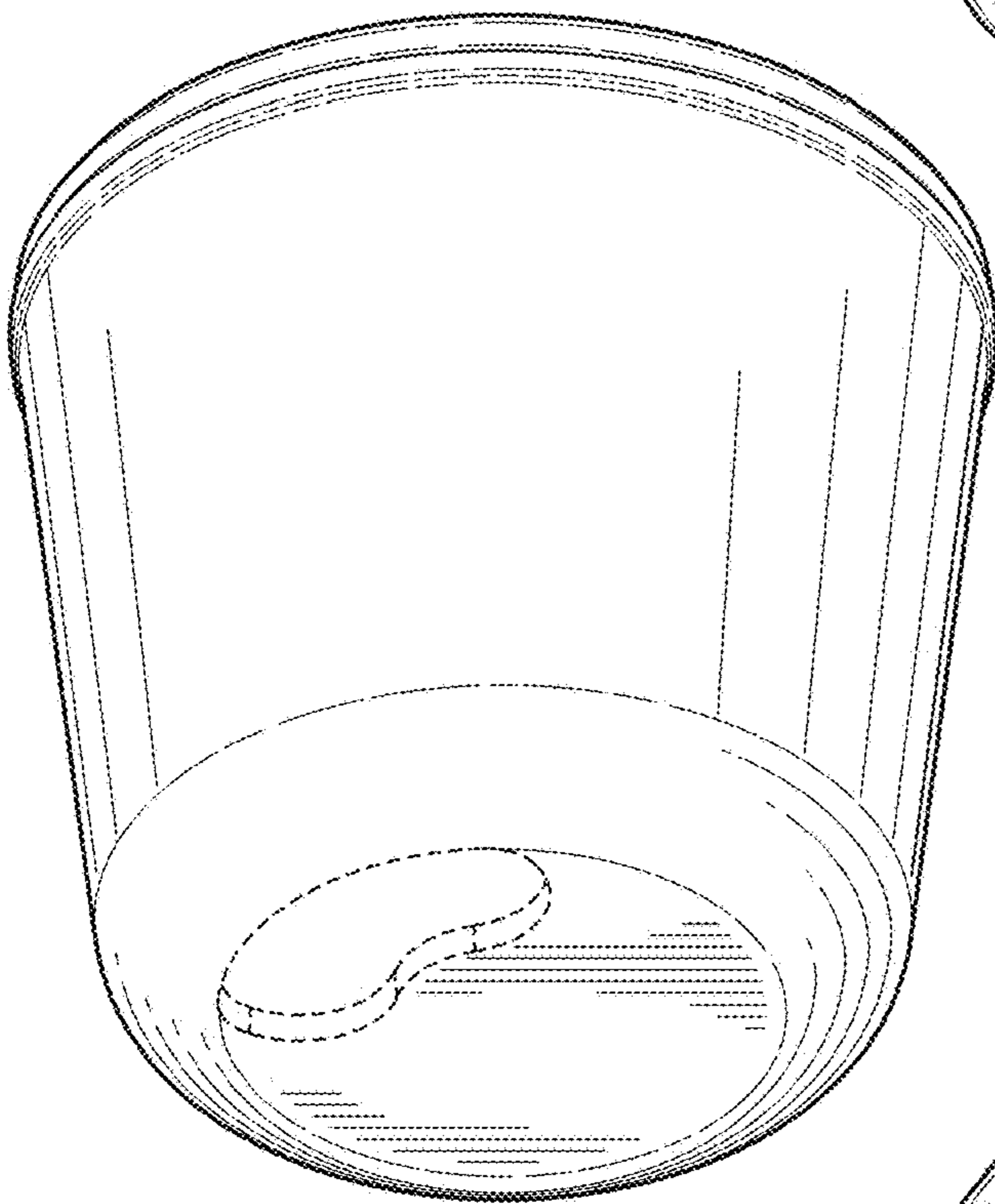


FIG. 22

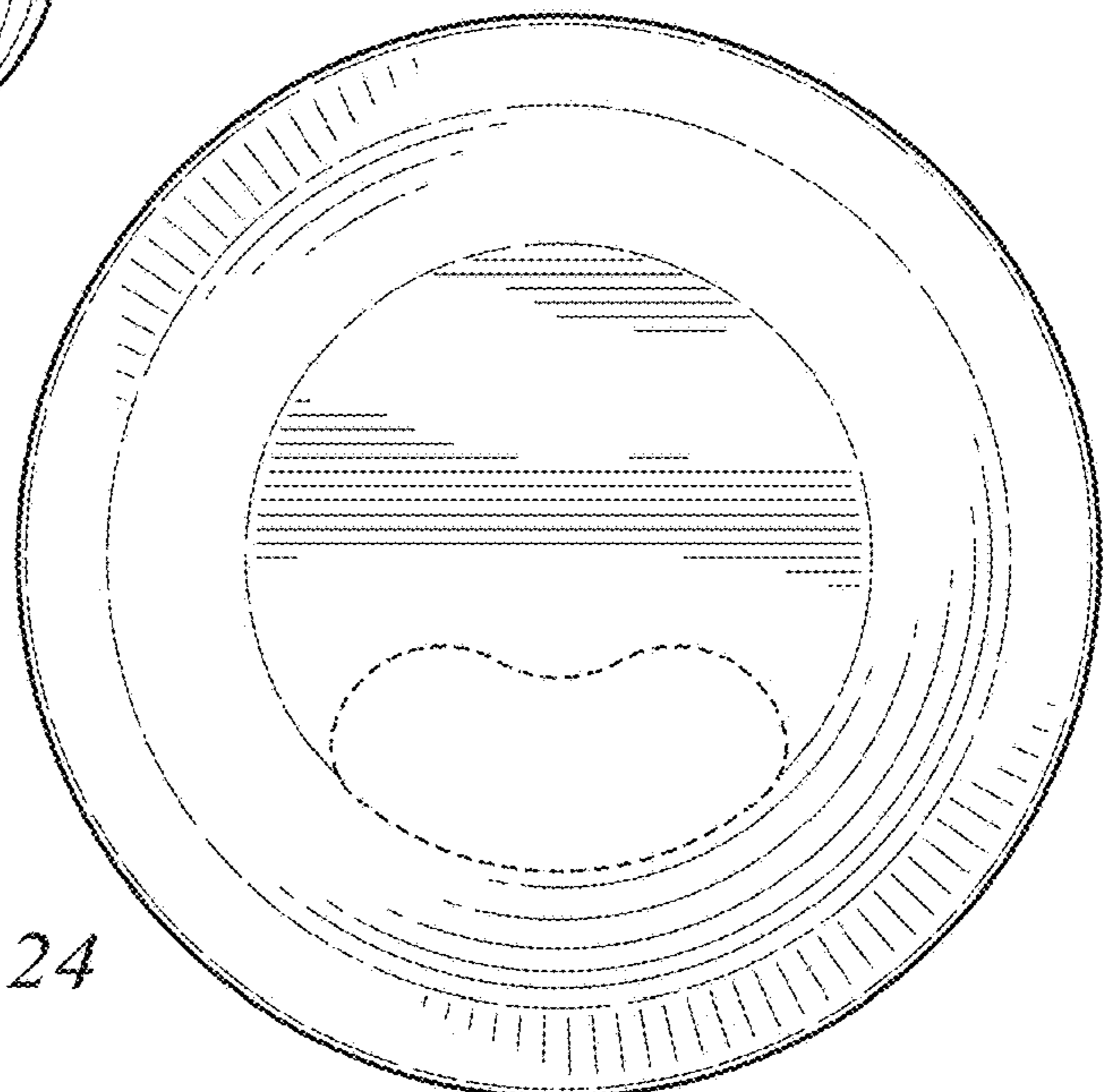


FIG. 24

FIG. 25

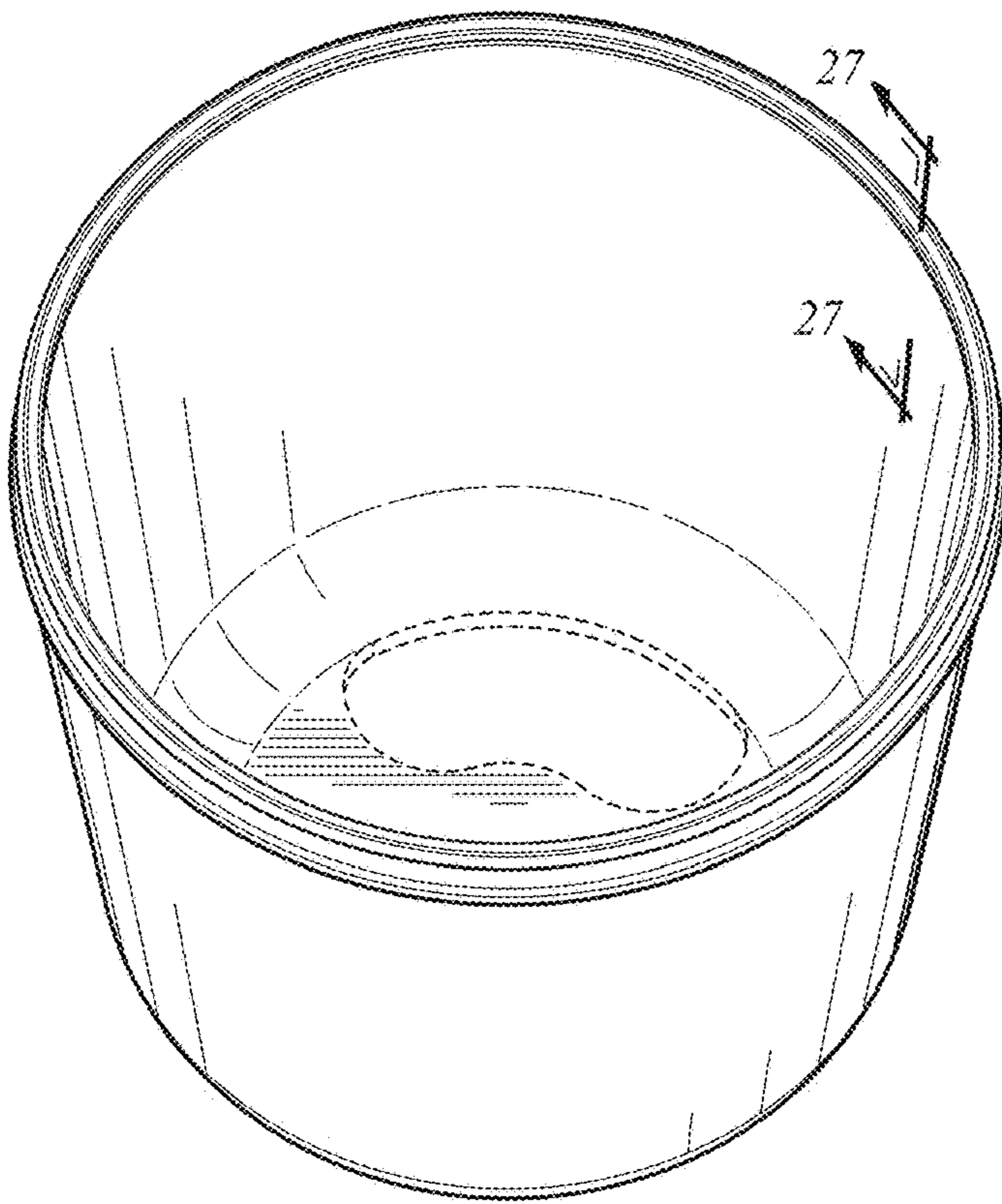
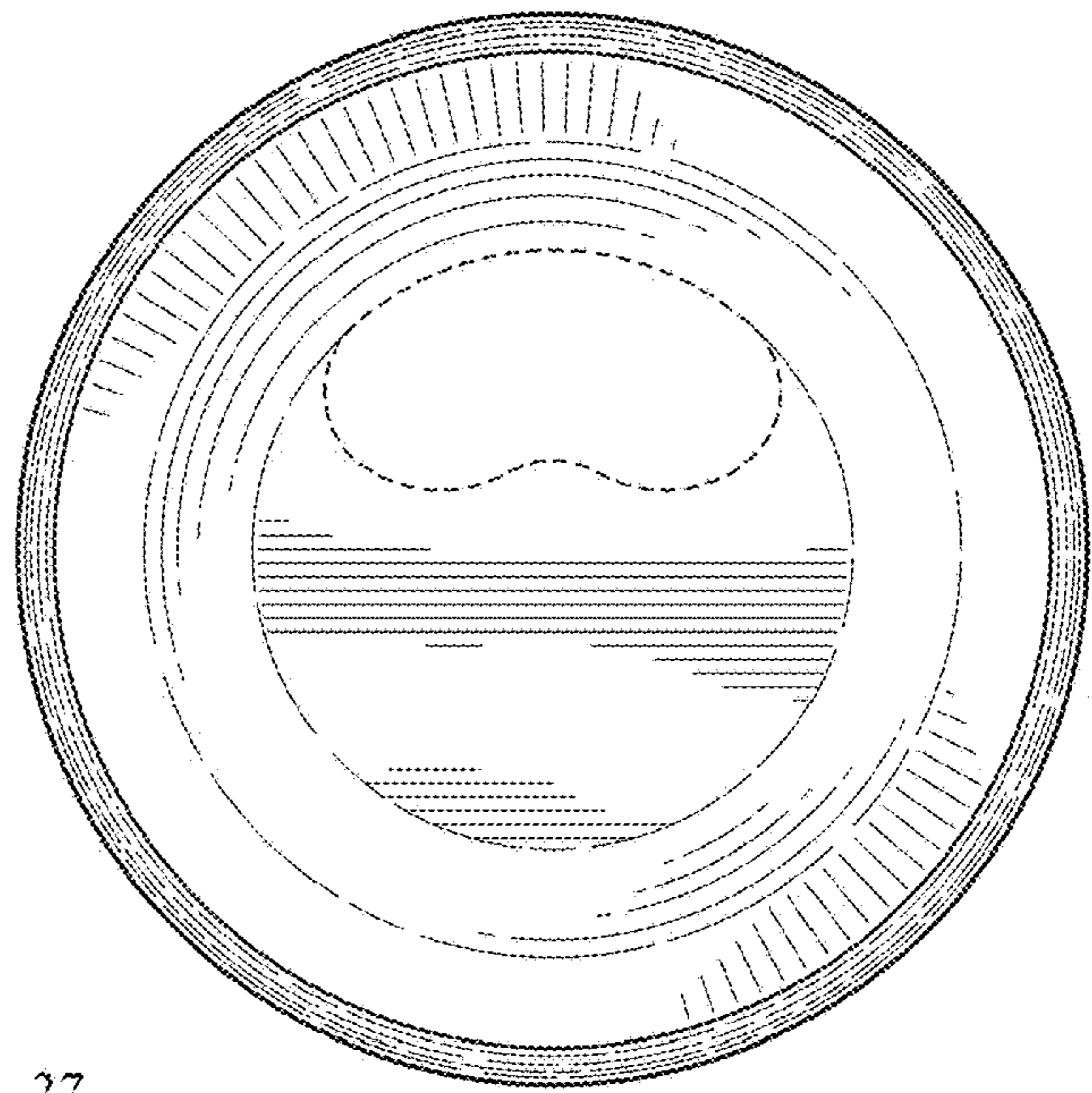


FIG. 26

FIG. 27

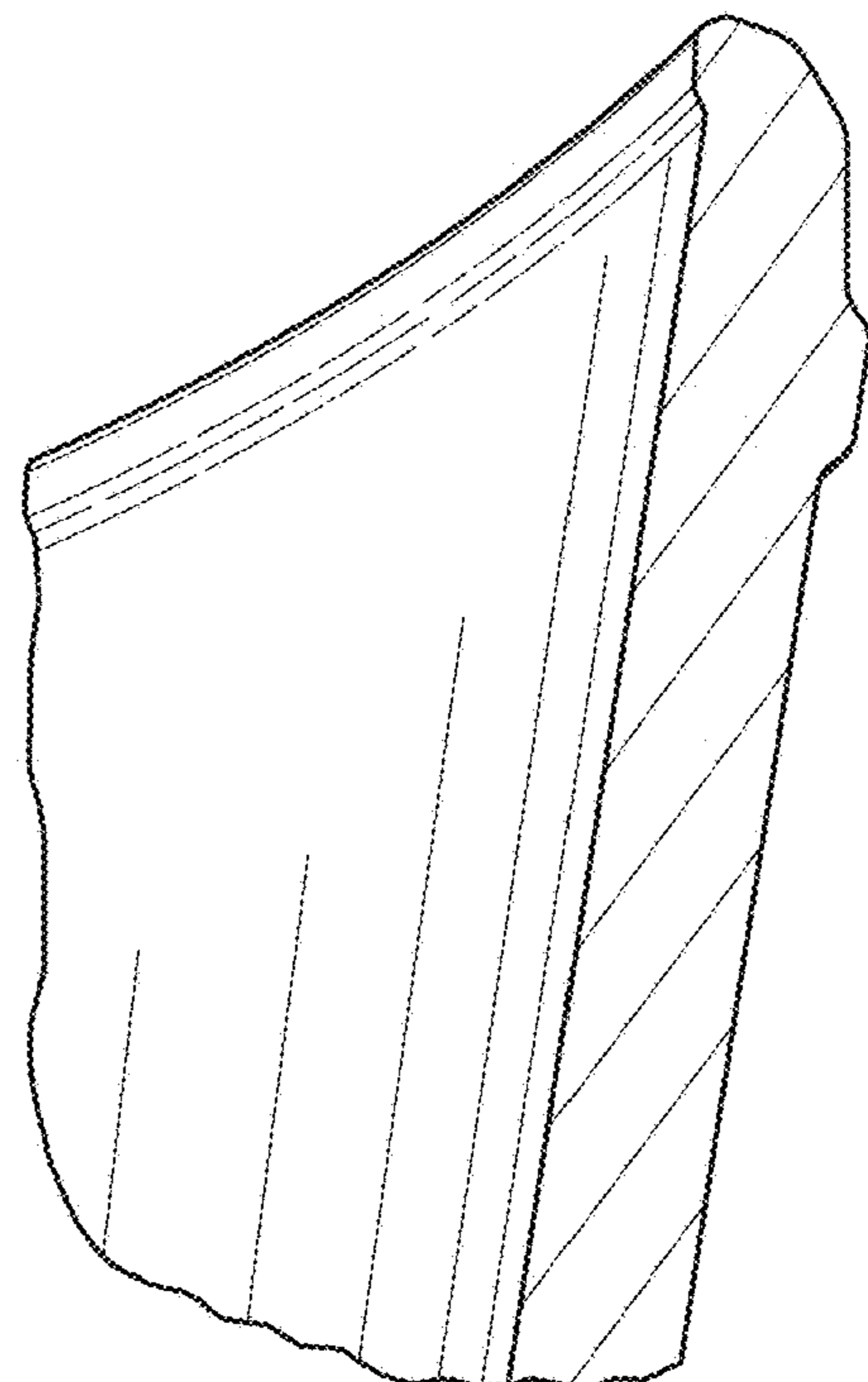


FIG. 29

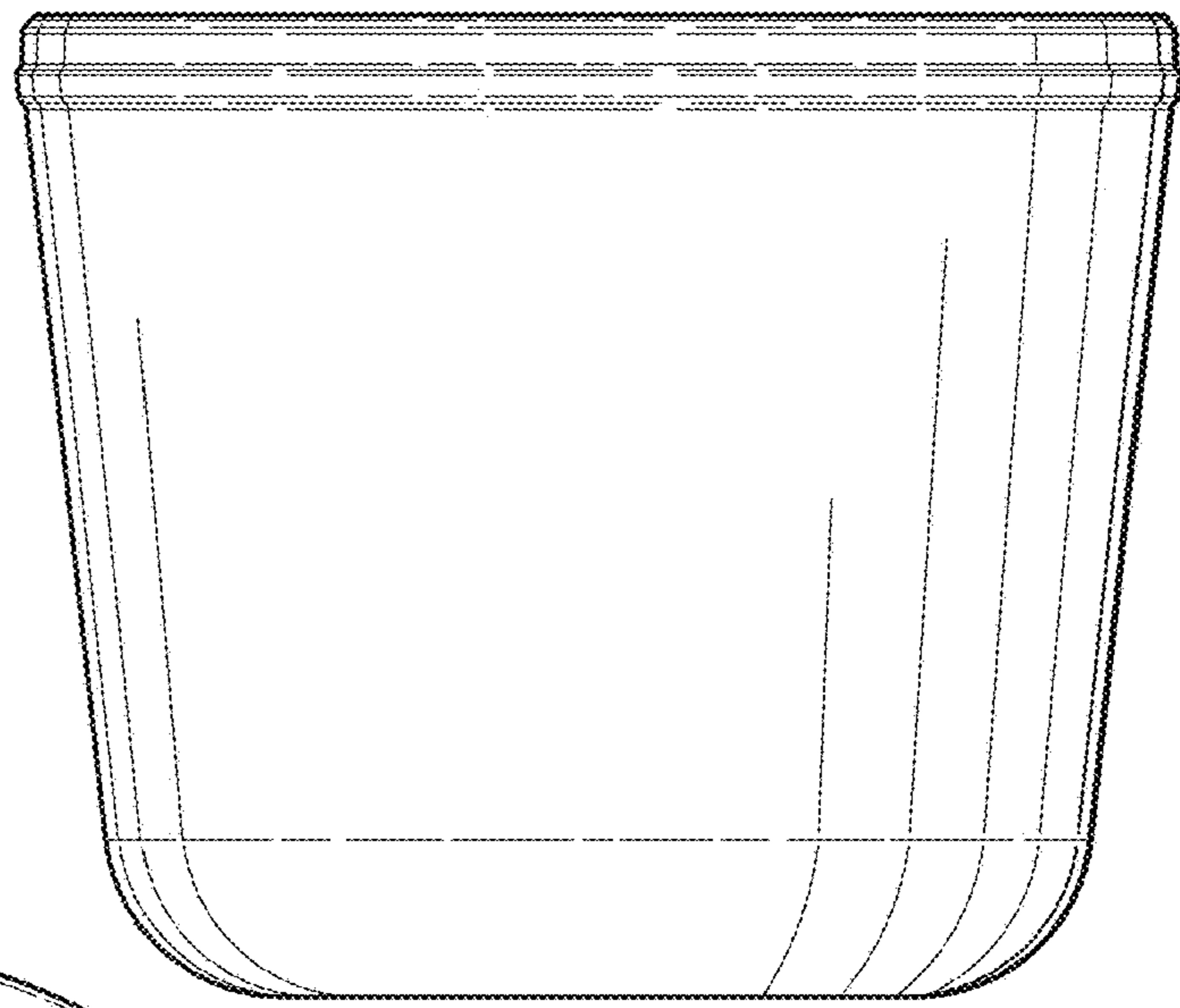


FIG. 28

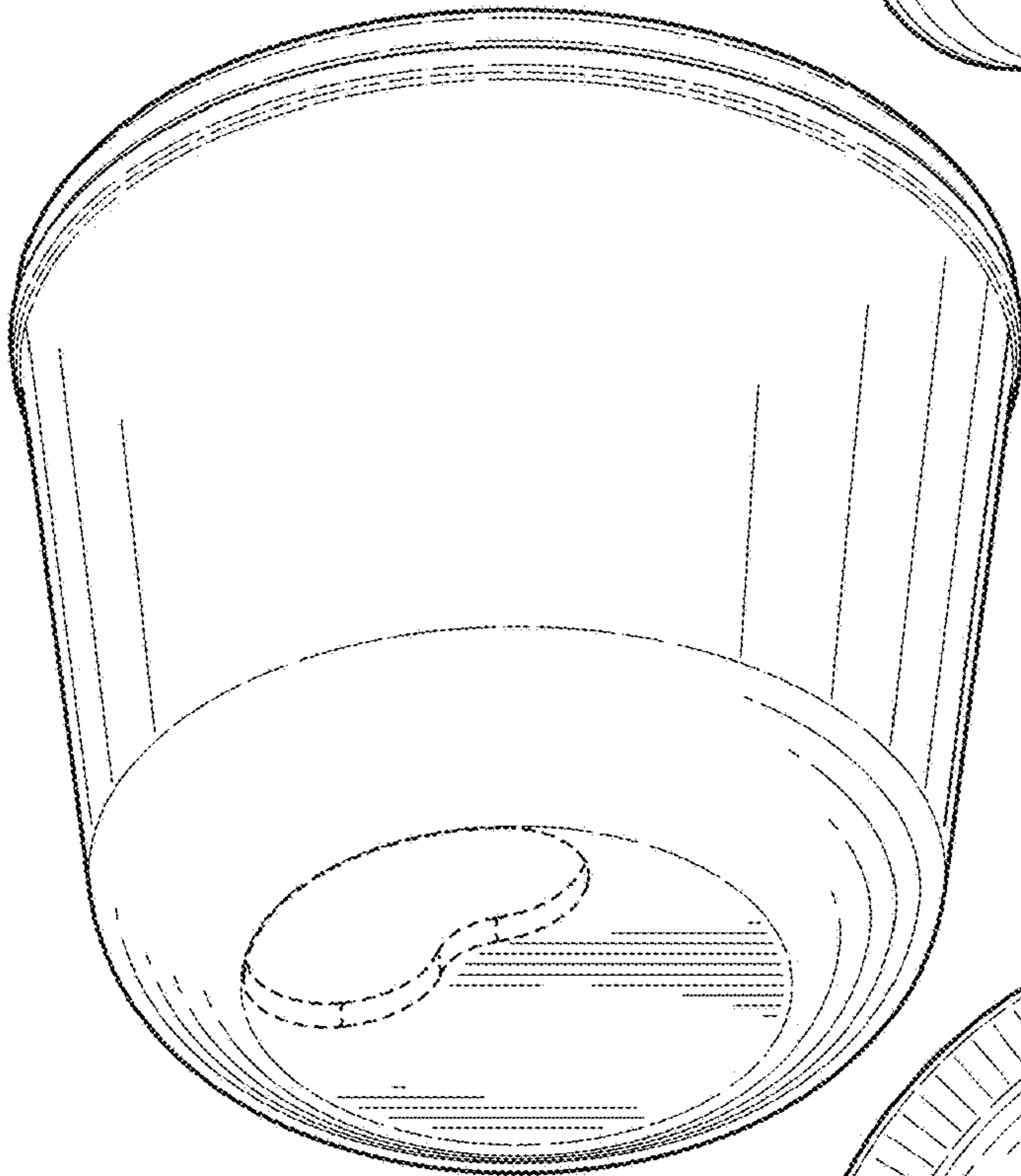


FIG. 30

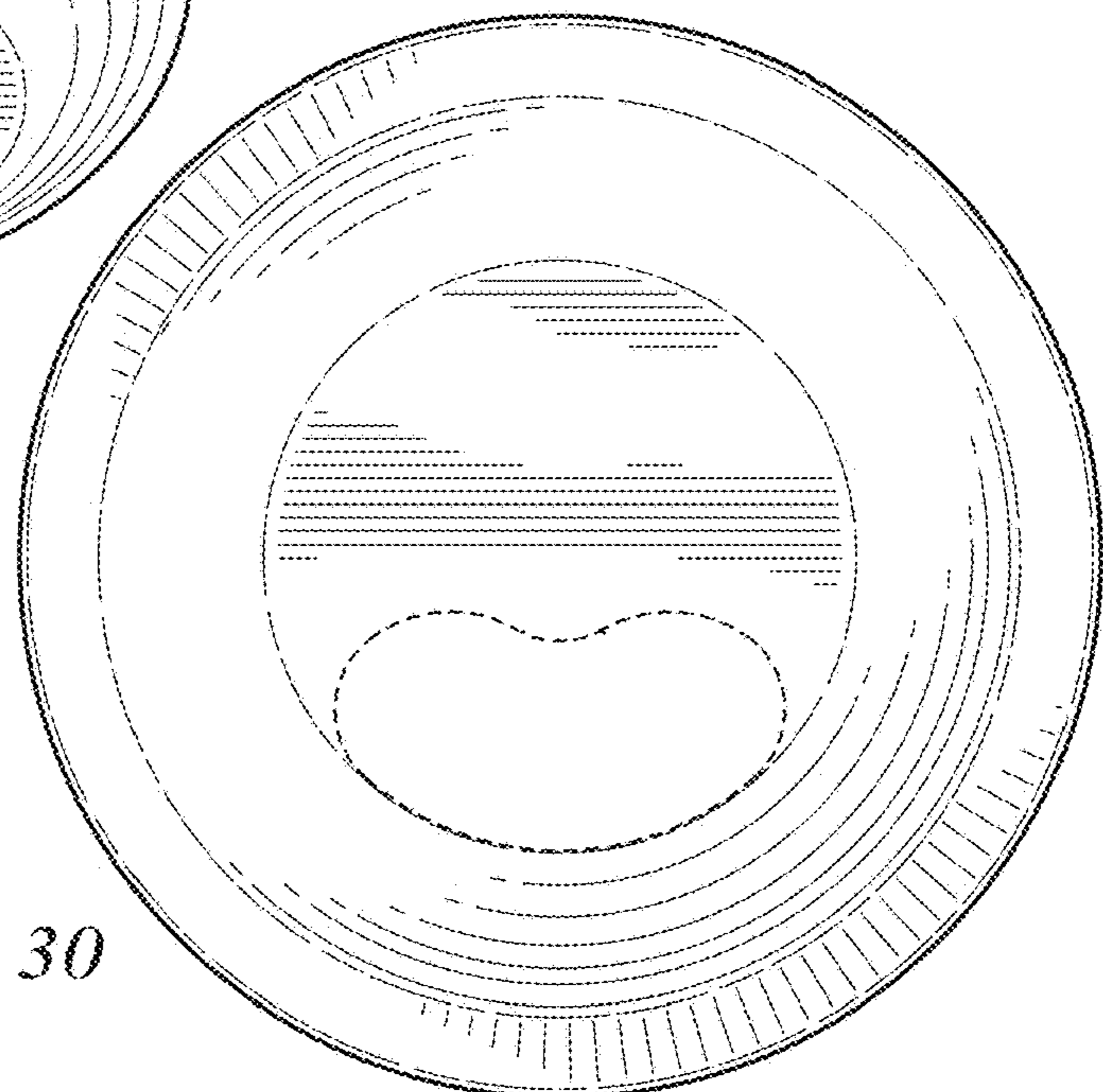


FIG. 31

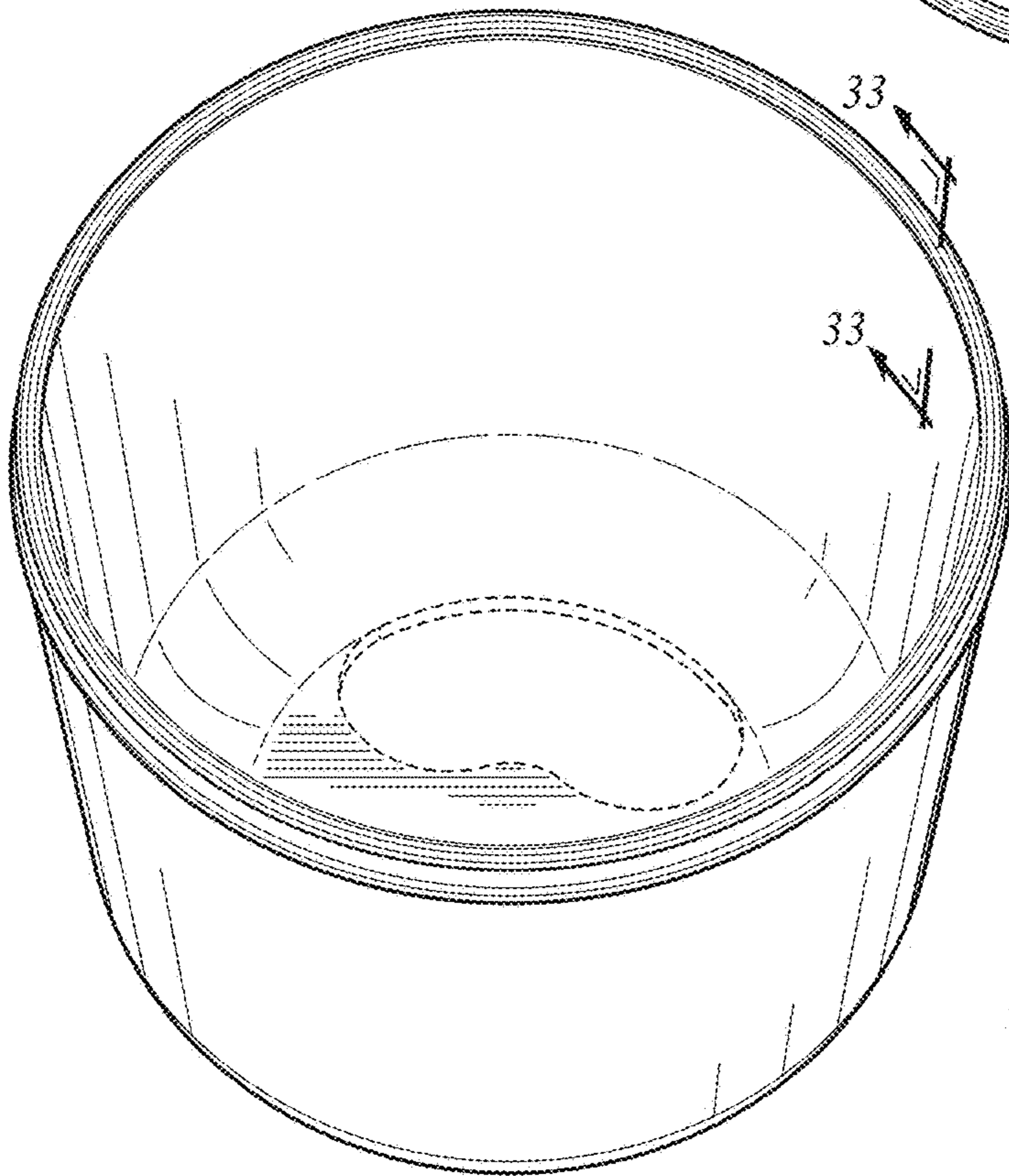
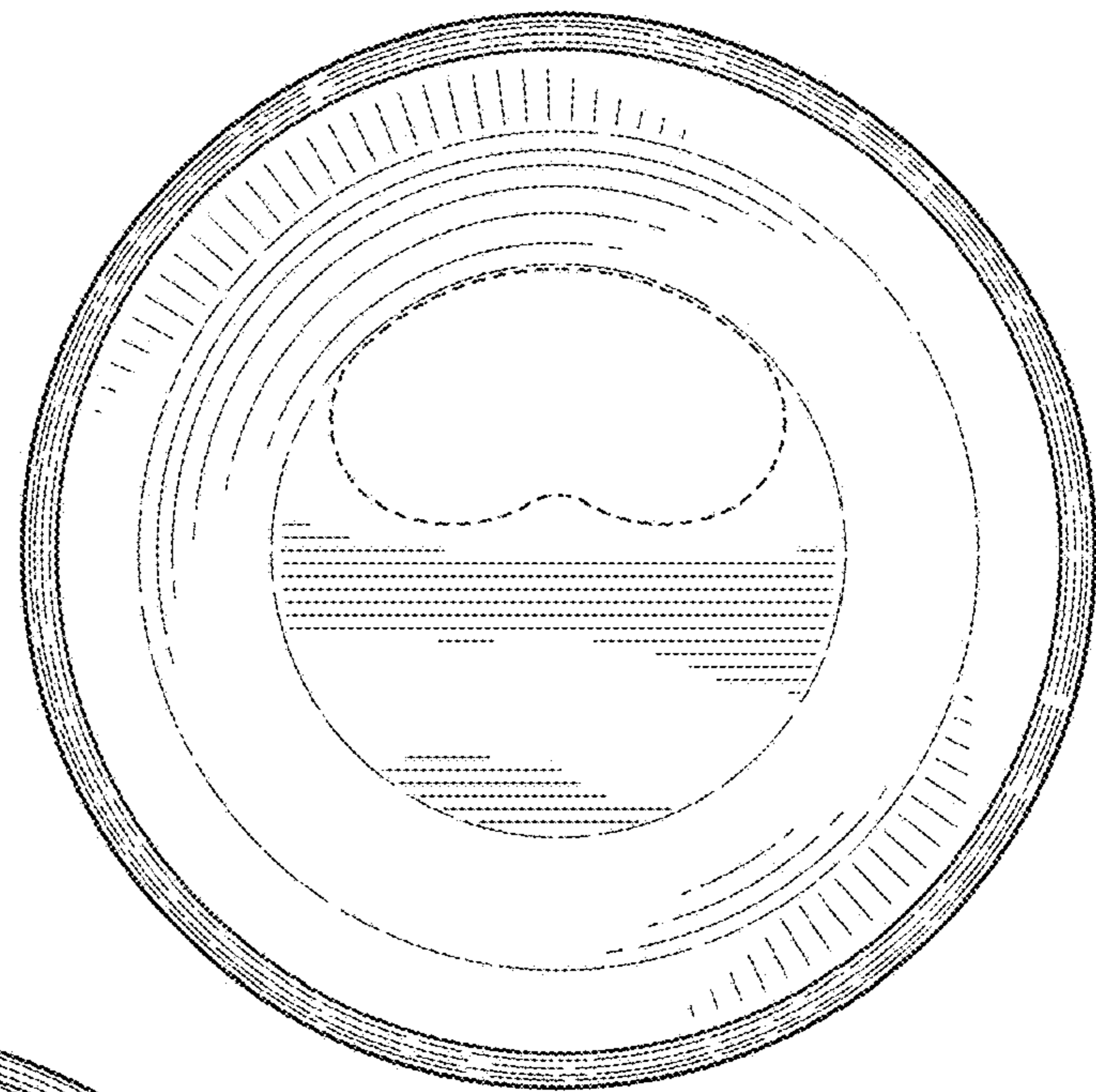
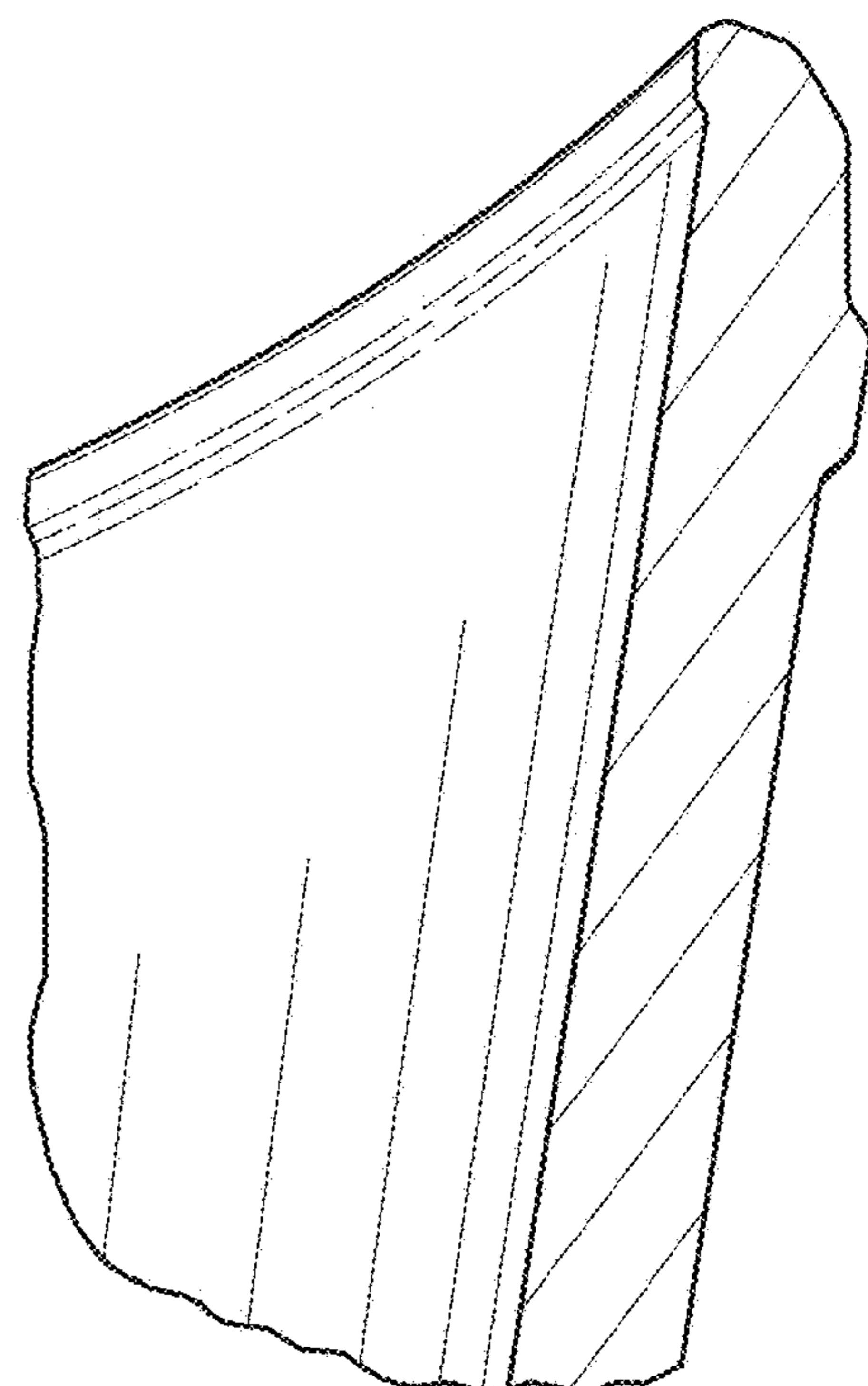


FIG. 32

FIG. 33



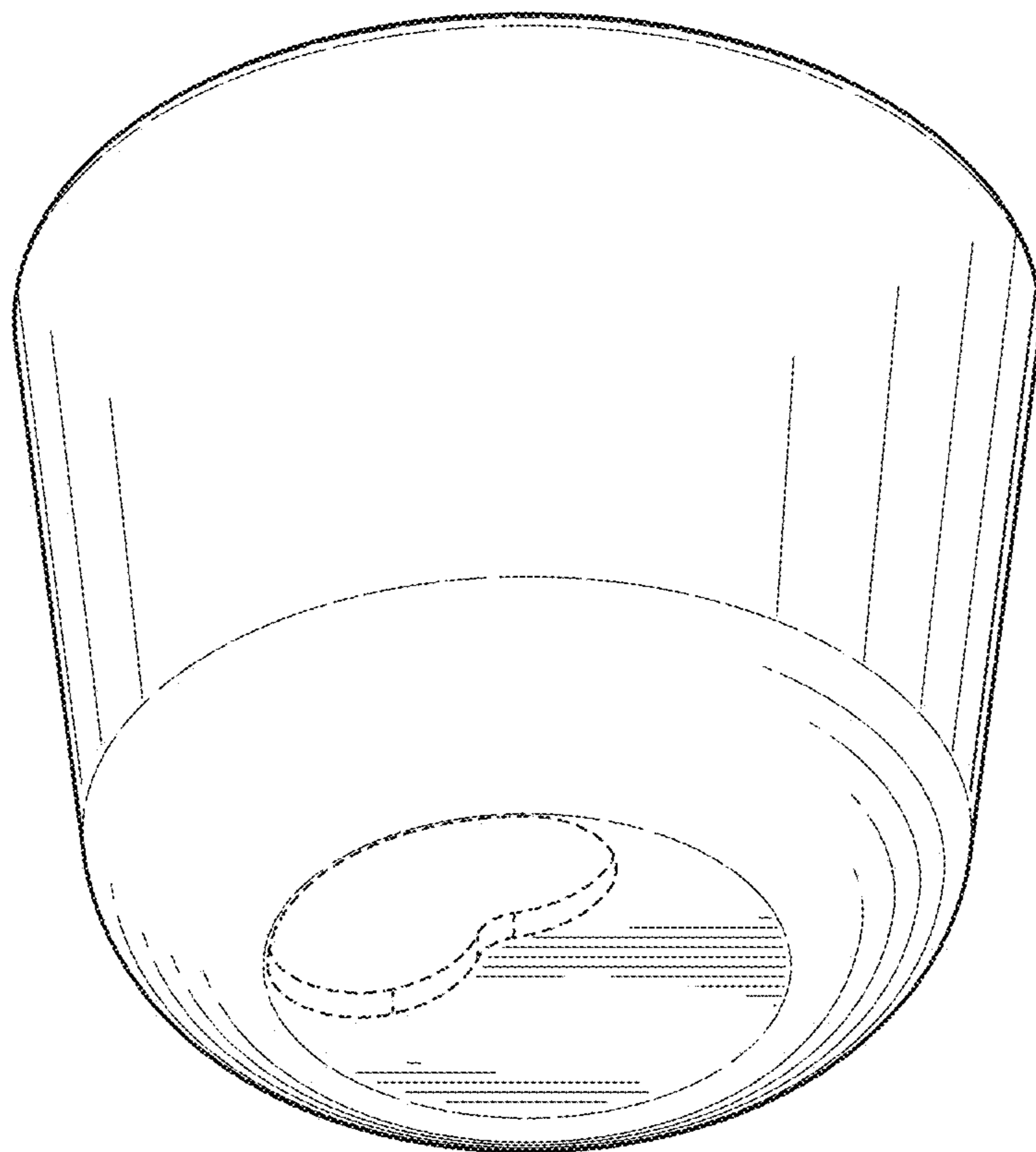


FIG. 34

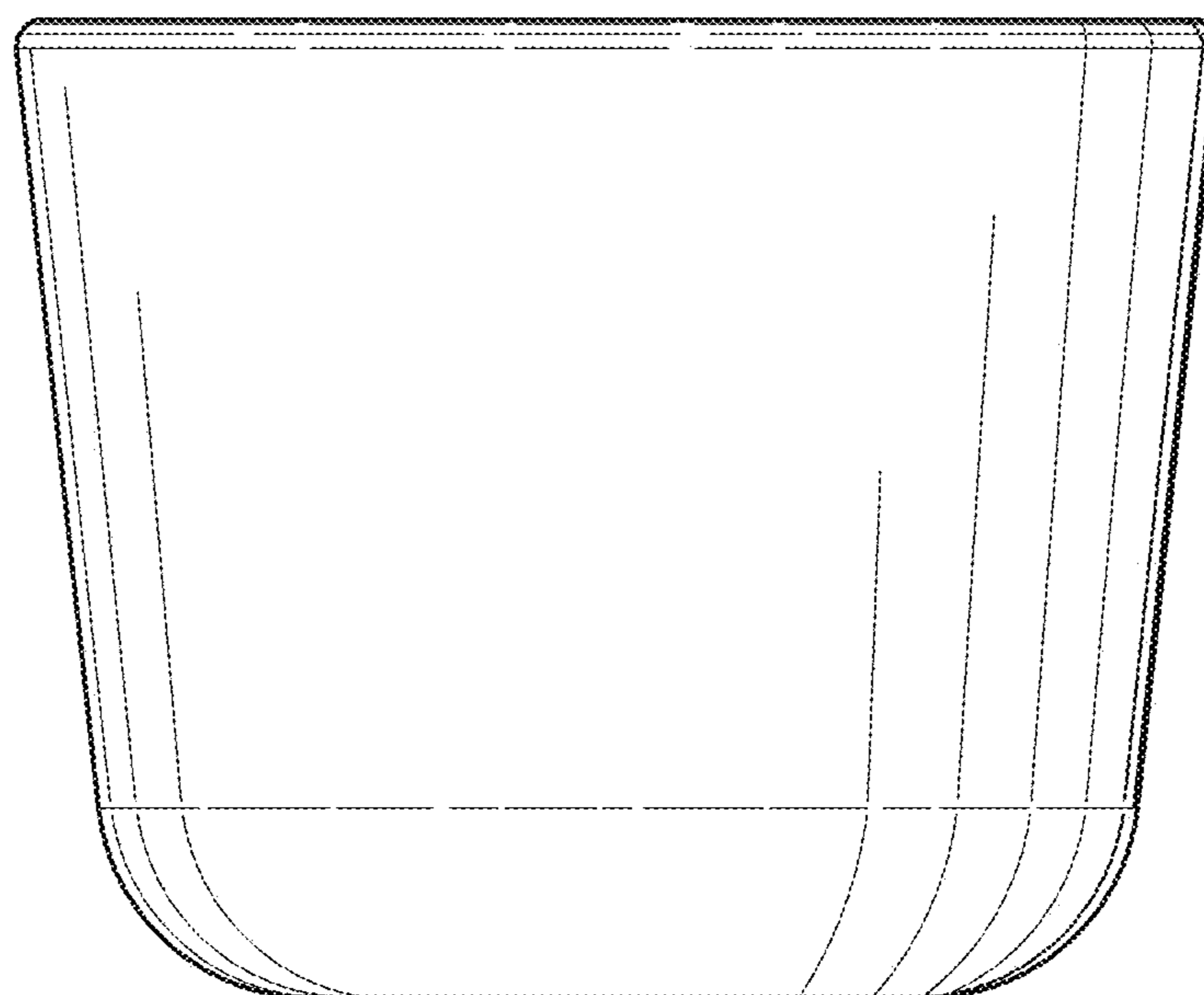


FIG. 35

FIG. 36

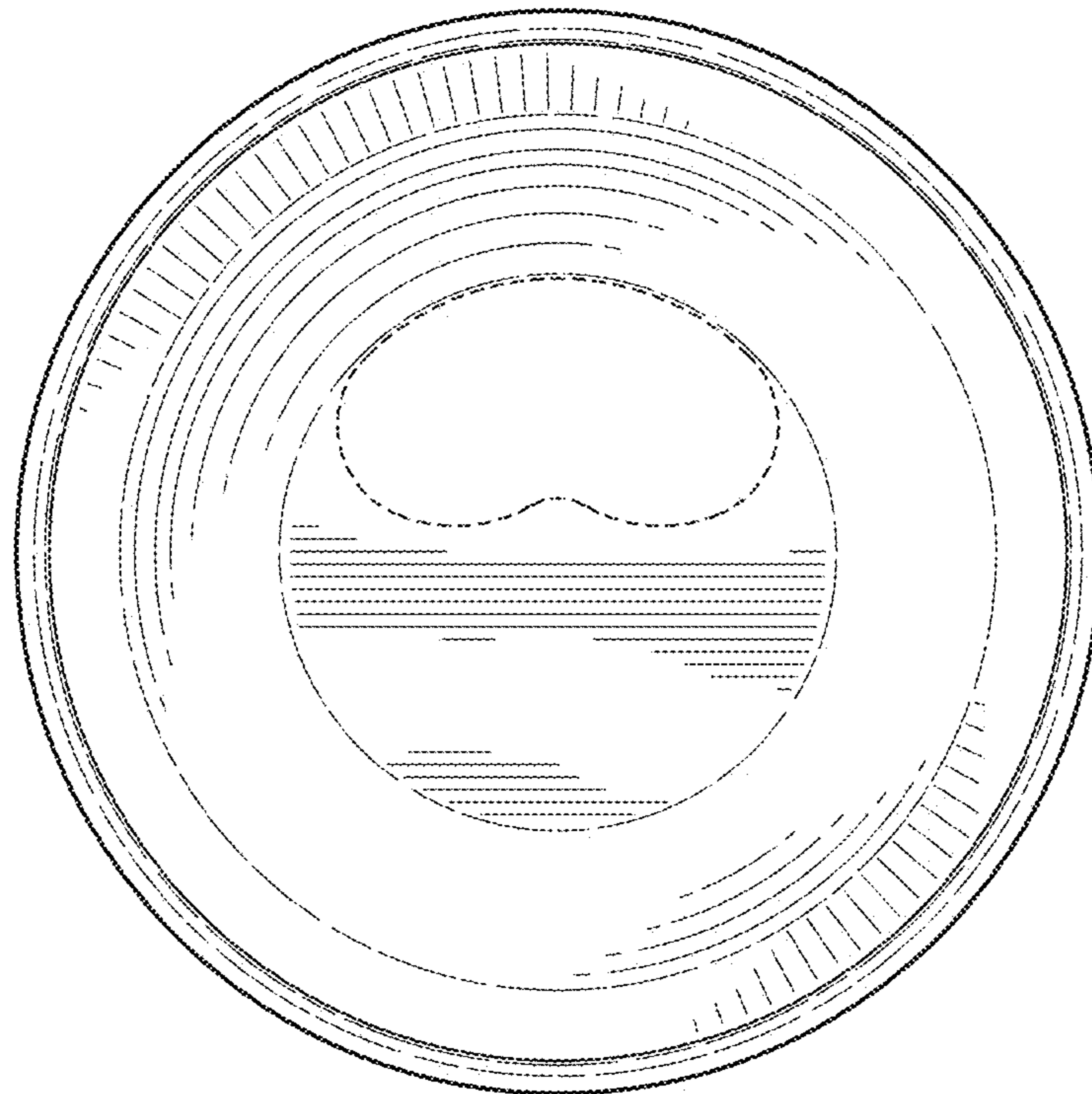
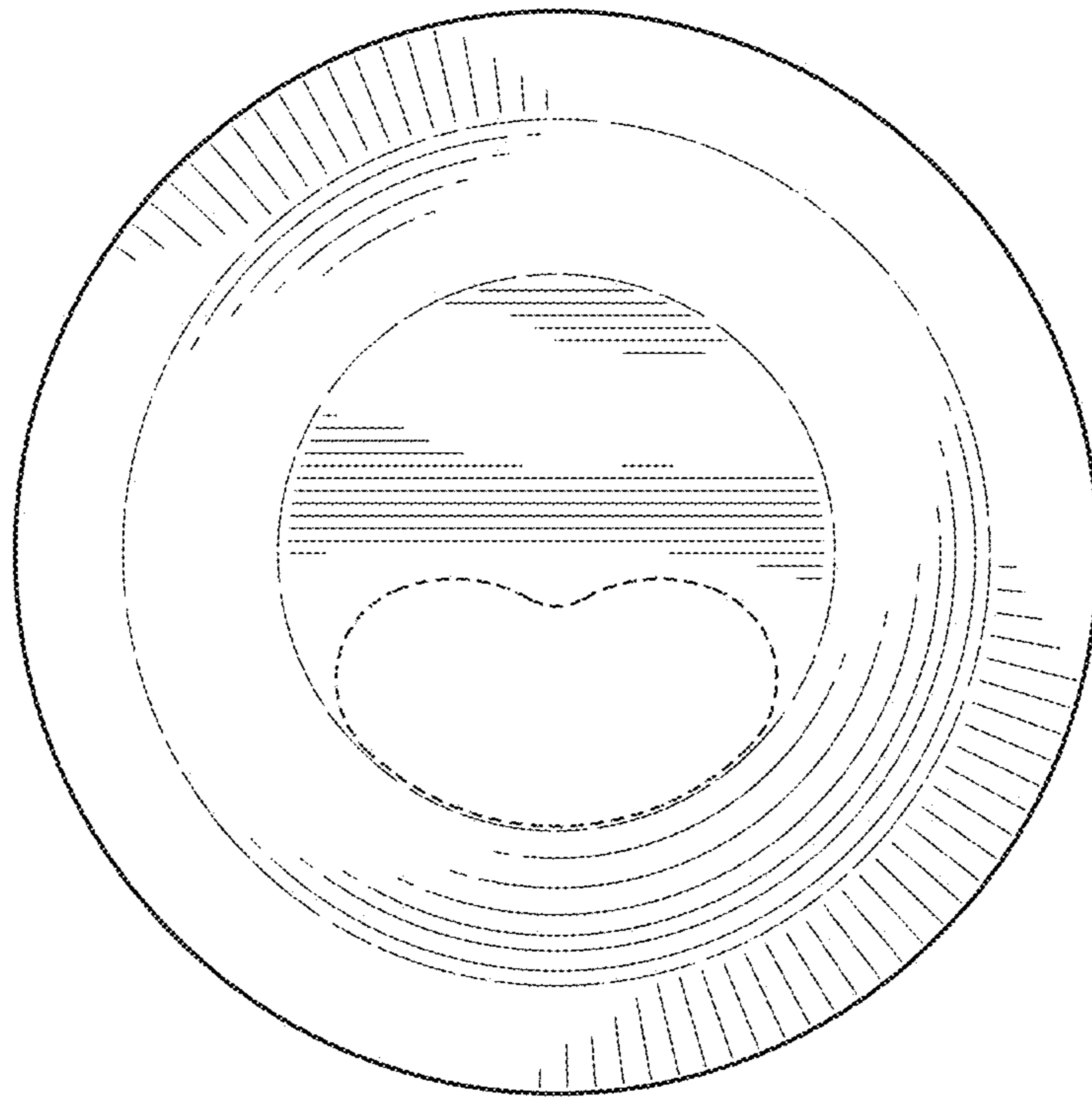


FIG. 37

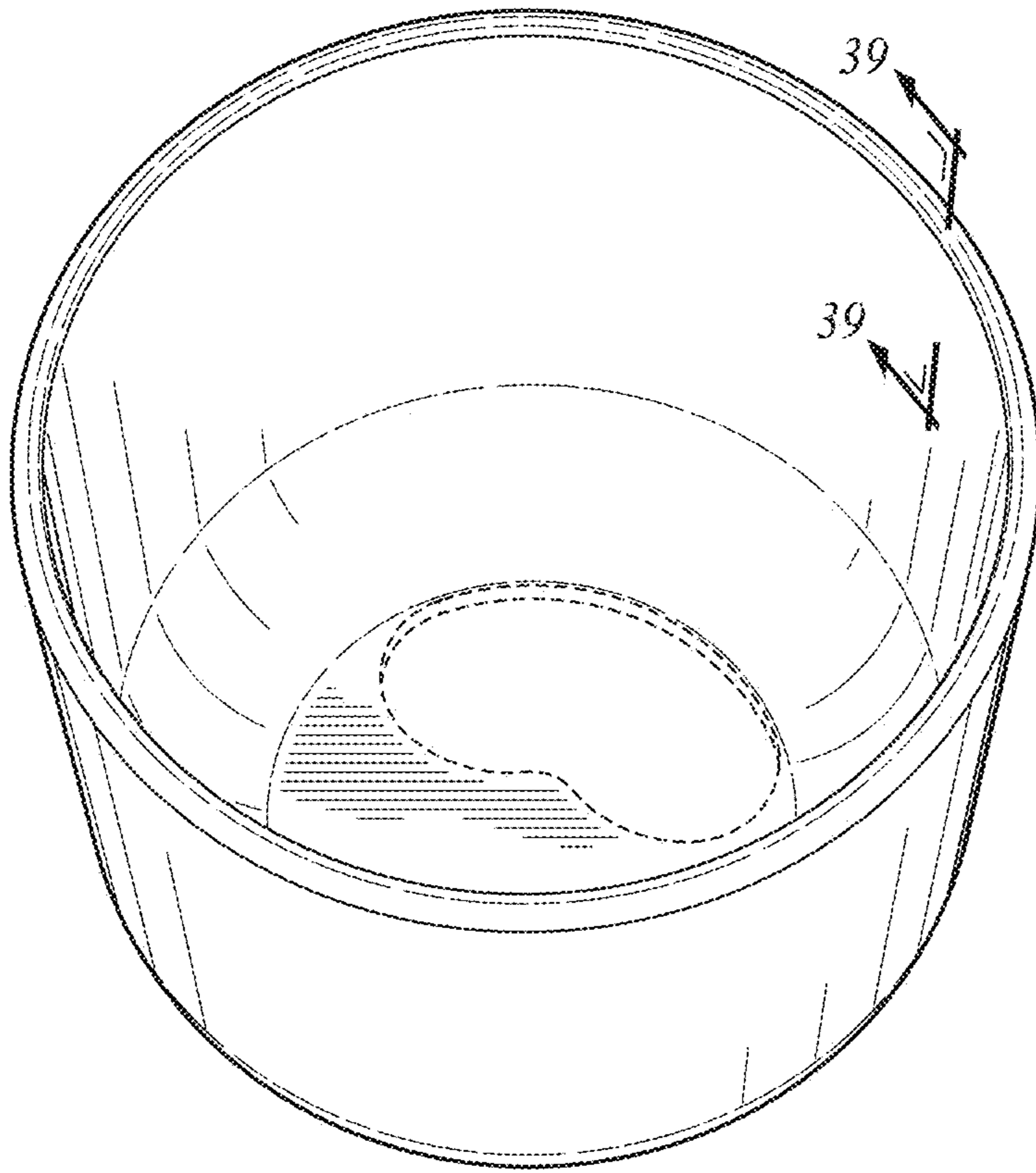


FIG. 38

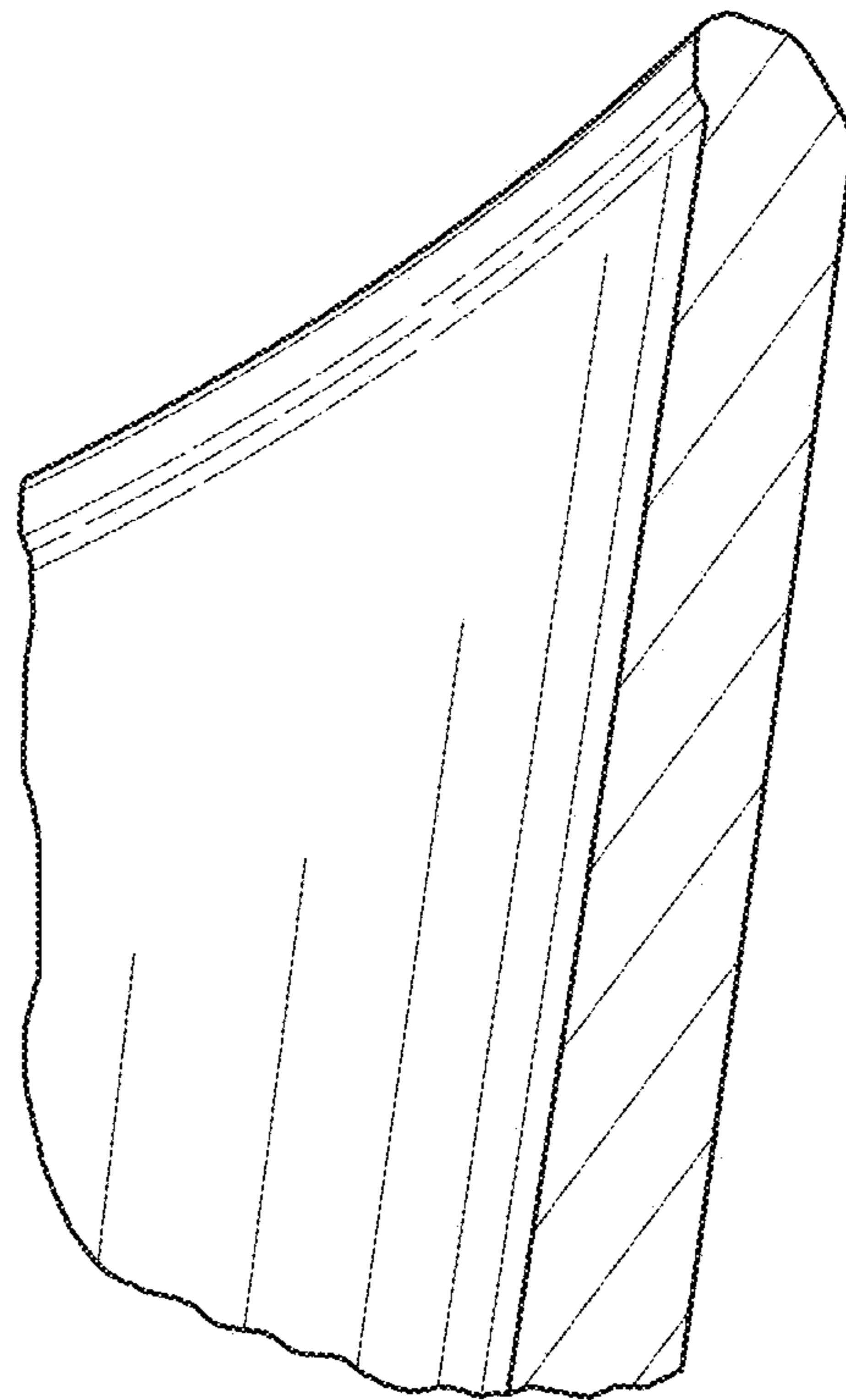


FIG. 39