



US00D878273S

(12) **United States Design Patent**
Tovey

(10) **Patent No.:** **US D878,273 S**
(45) **Date of Patent:** **** Mar. 17, 2020**

(54) **WHEEL**

(71) Applicant: **Jaguar Land Rover Limited**, Whitley,
Coventry (GB)

(72) Inventor: **Simon Tovey**, Coventry (GB)

(73) Assignee: **Jaguar Land Rover Limited**, Whitley,
Coventry (GB)

(**) Term: **15 Years**

(21) Appl. No.: **29/685,103**

(22) Filed: **Mar. 26, 2019**

Related U.S. Application Data

(62) Division of application No. 29/624,967, filed on Nov.
6, 2017, now Pat. No. Des. 849,641.

(30) **Foreign Application Priority Data**

May 11, 2017 (EM) 003997071

(51) **LOC (12) Cl.** **12-16**

(52) **U.S. Cl.**
USPC **D12/209**

(58) **Field of Classification Search**

USPC D12/204–213
CPC B60B 7/00; B60B 7/02; B60B 7/04; B60B
7/01; B60B 7/06; B60B 3/02; B60B 3/04;
B60B 3/06; B60B 3/10; B60B 1/00;
B60B 1/08; B60B 1/10; B60B 1/12
See application file for complete search history.

(56) **References Cited**

U.S. PATENT DOCUMENTS

D515,493 S * 2/2006 Schaefers D12/211
D704,119 S * 5/2014 Platto D12/209
D705,153 S * 5/2014 Hall D12/209
D715,723 S * 10/2014 Gotschke D12/204

D718,207 S * 11/2014 Grake D12/211
D735,106 S * 7/2015 Weil D12/209
D740,193 S * 10/2015 Battams D12/209
D757,626 S * 5/2016 Bridan D12/209
D806,632 S * 1/2018 Peat D12/211
D820,761 S * 6/2018 Badstuebner D12/211
D832,180 S * 10/2018 Platto D12/211
D832,182 S * 10/2018 Peat D12/211
D849,641 S * 5/2019 Tovey D12/209

(Continued)

Primary Examiner — Stacia A Cadmus

(74) *Attorney, Agent, or Firm* — Wood Herron & Evans
LLP

(57) **CLAIM**

The ornamental design for a wheel, as shown and described.

DESCRIPTION

FIG. 1 is a front left perspective view of a wheel for a vehicle
according to the present invention.

FIG. 2 is a front right perspective view of the wheel shown
in FIG. 1.

FIG. 3 is a front view thereof.

FIG. 4 is a left side view thereof, the right side view being
a mirror image thereof.

FIG. 5 is a rear view thereof.

FIG. 6 is a rear right perspective view thereof.

FIG. 7 is a rear left perspective view thereof.

FIG. 8 is a front left perspective view of a wheel for a vehicle
according to a second embodiment of the present invention.

FIG. 9 is a front right perspective view of the wheel shown
in FIG. 8.

FIG. 10 is a front view thereof.

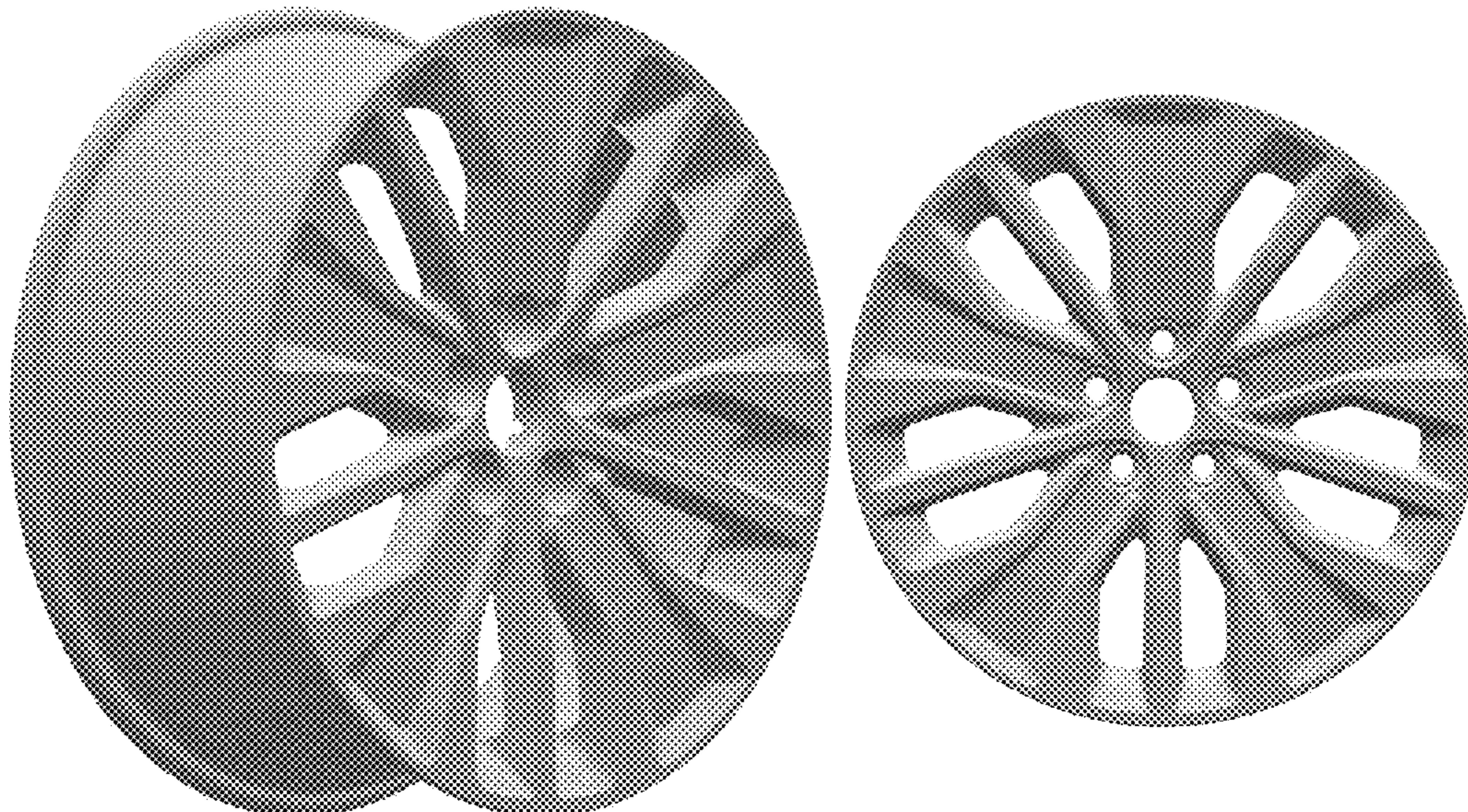
FIG. 11 is a left side view thereof, the right side view being
a mirror image thereof.

FIG. 12 is a rear view thereof.

FIG. 13 is a rear right perspective view thereof; and,

FIG. 14 is a rear left perspective view thereof.

1 Claim, 10 Drawing Sheets



(56)

References Cited

U.S. PATENT DOCUMENTS

D852,703 S * 7/2019 De Jung D12/209
D853,307 S * 7/2019 He D12/211
D860,101 S * 9/2019 Bjerke D12/209

* cited by examiner

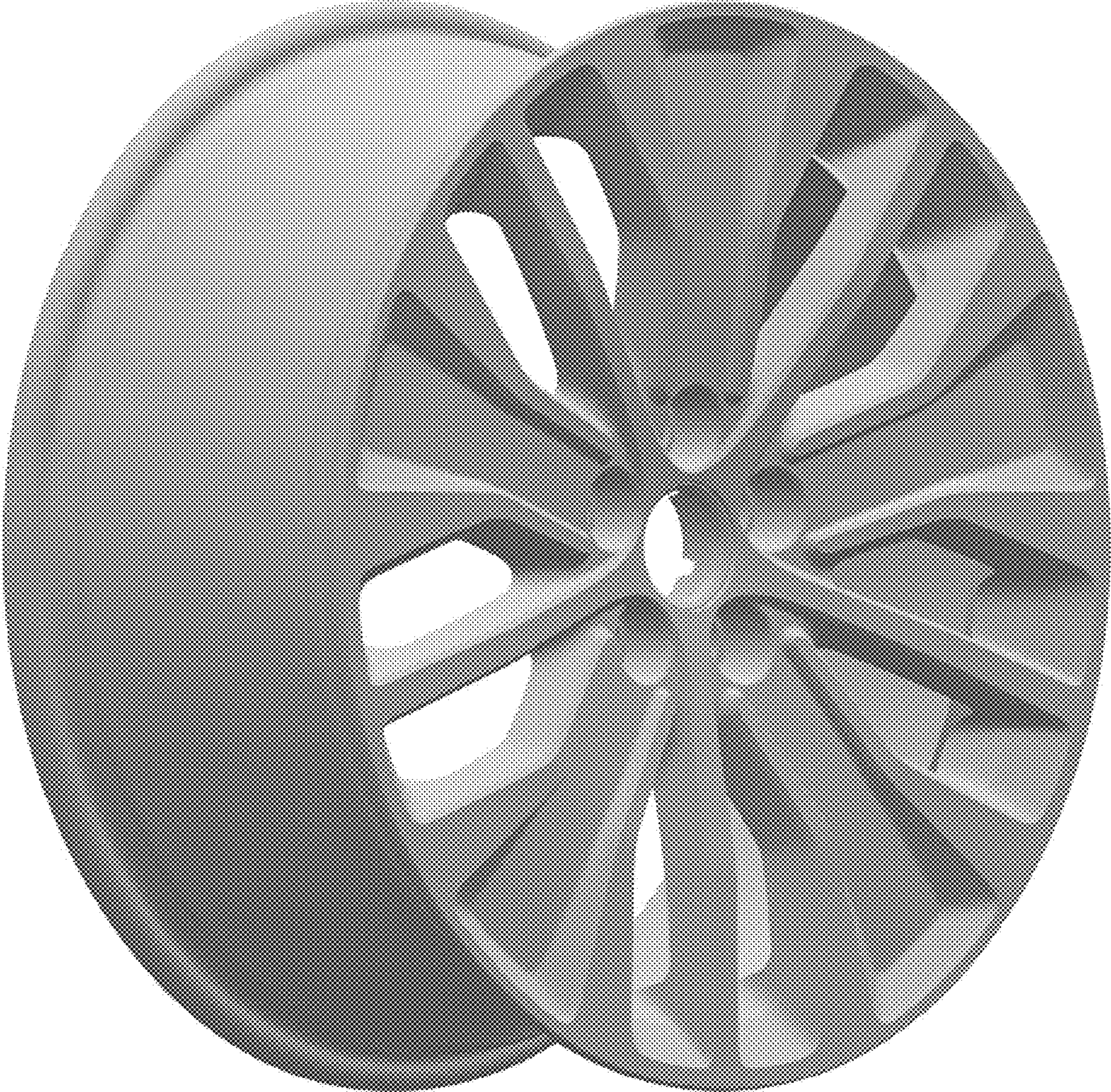


FIG. 1



FIG. 2

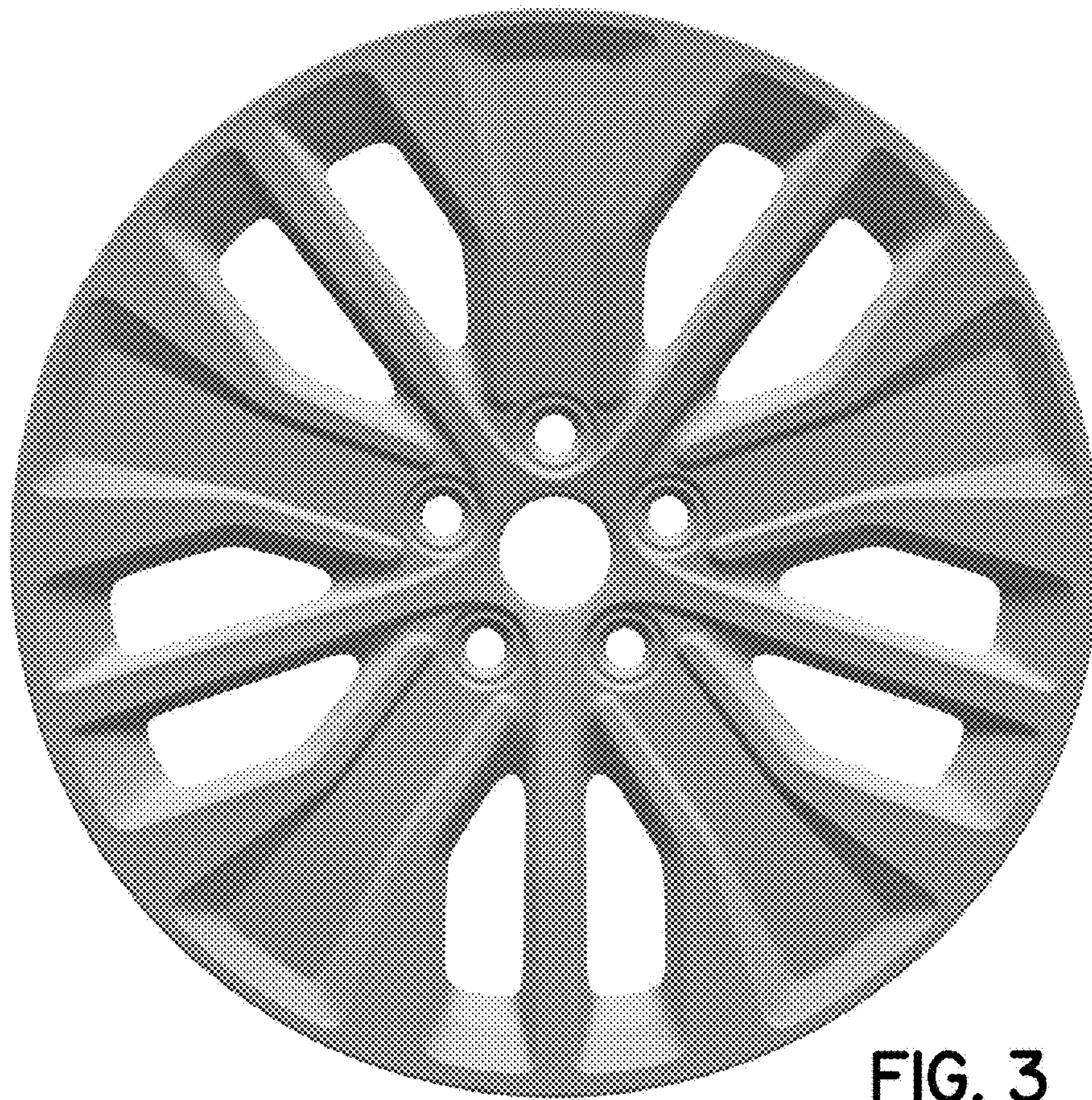


FIG. 3

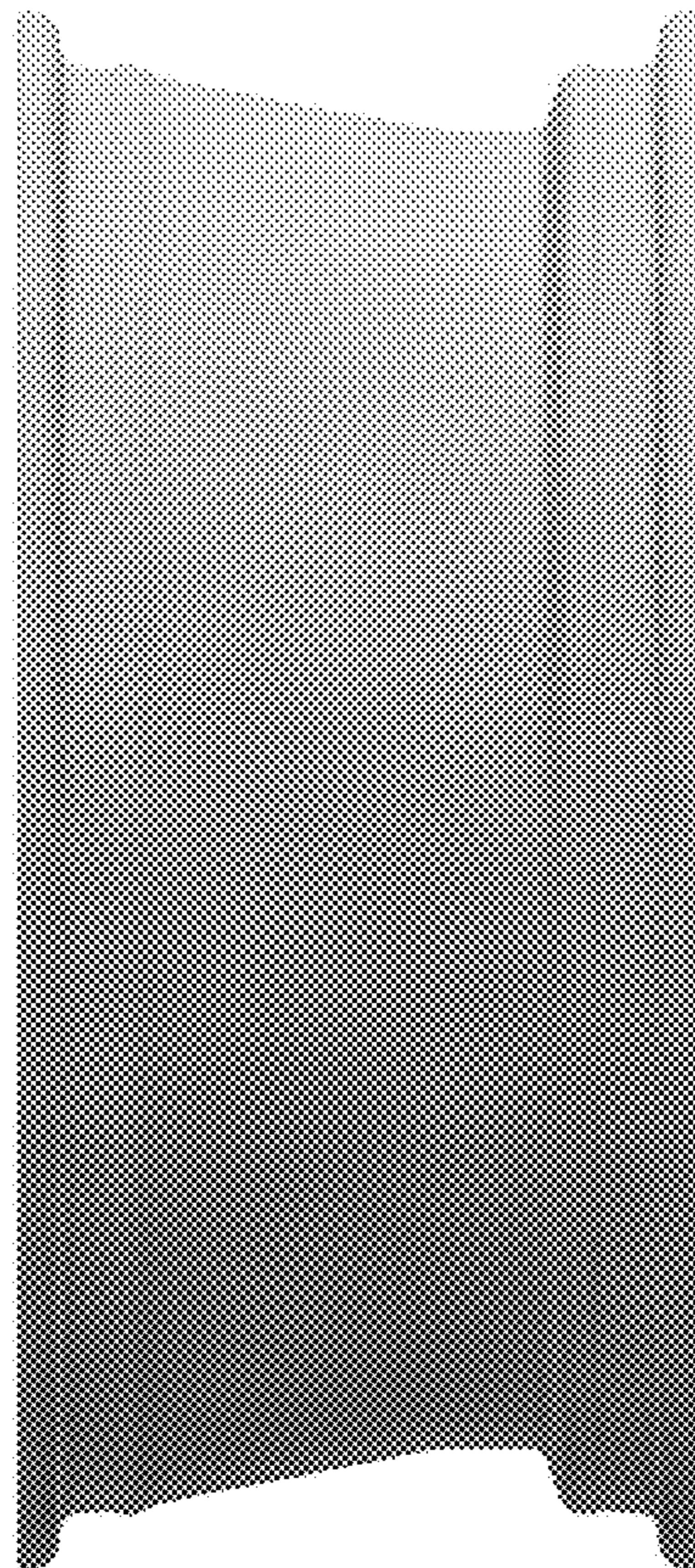


FIG. 4

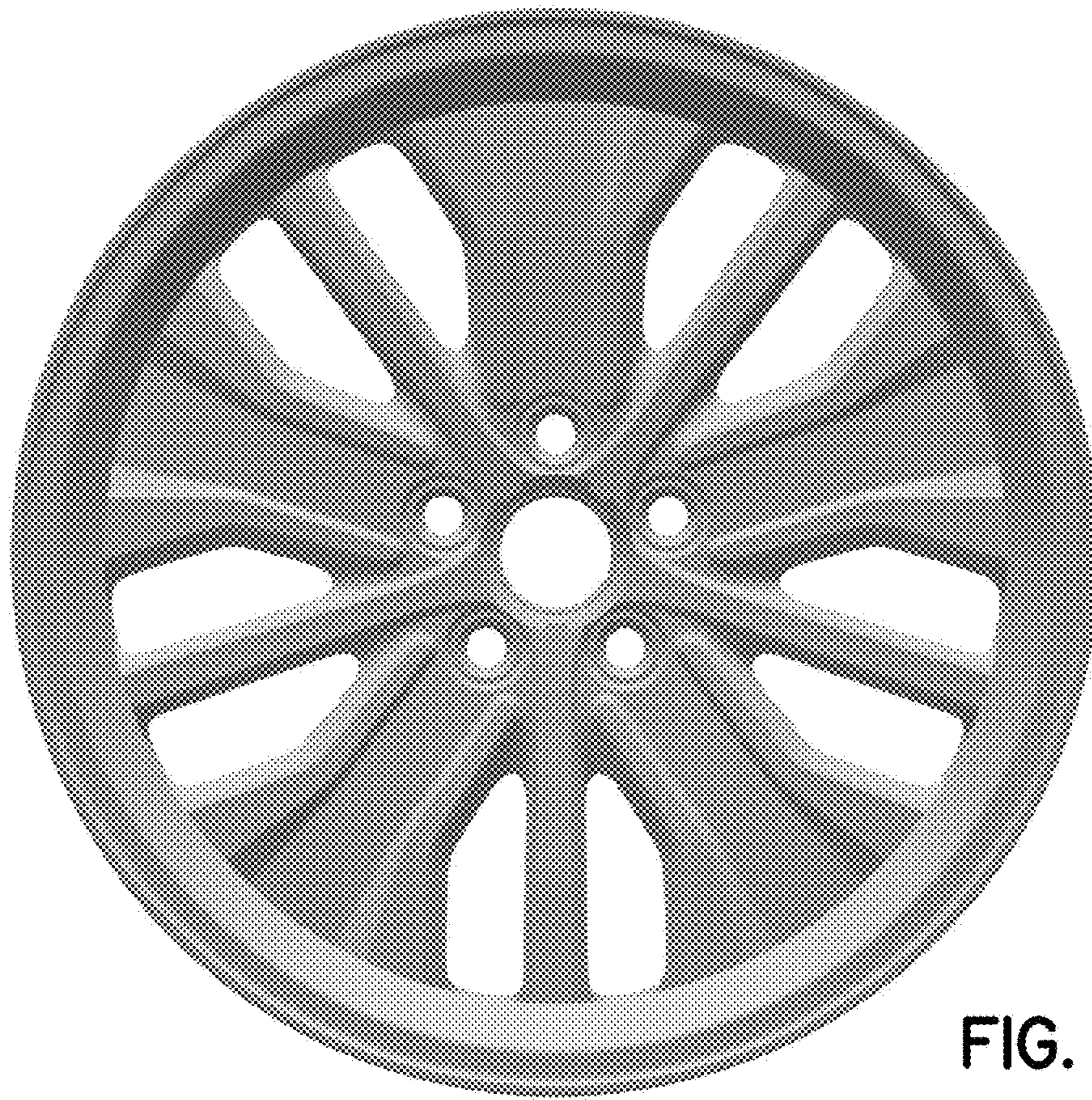


FIG. 5



FIG. 6



FIG. 7



FIG. 8



FIG. 9

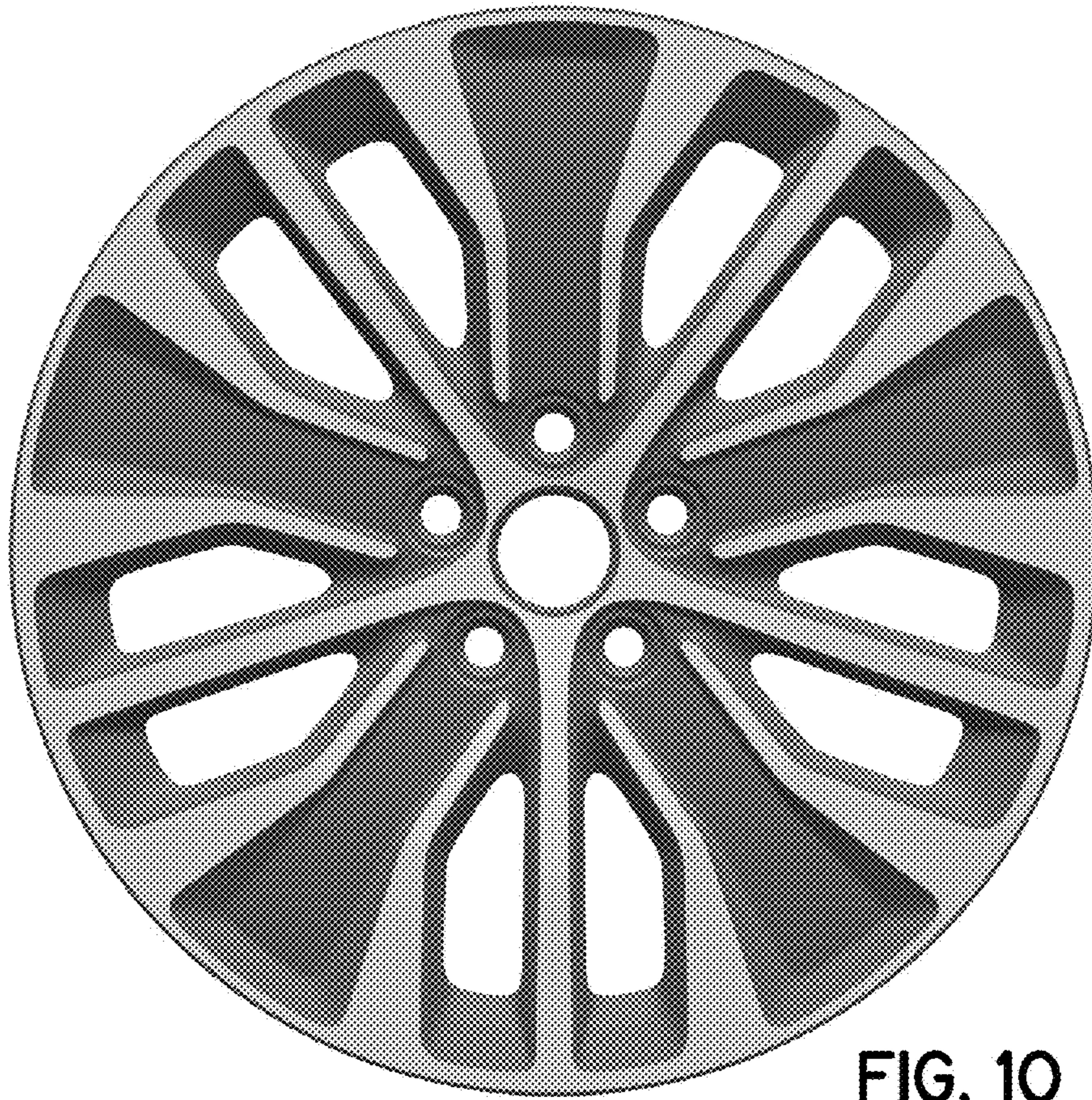


FIG. 10

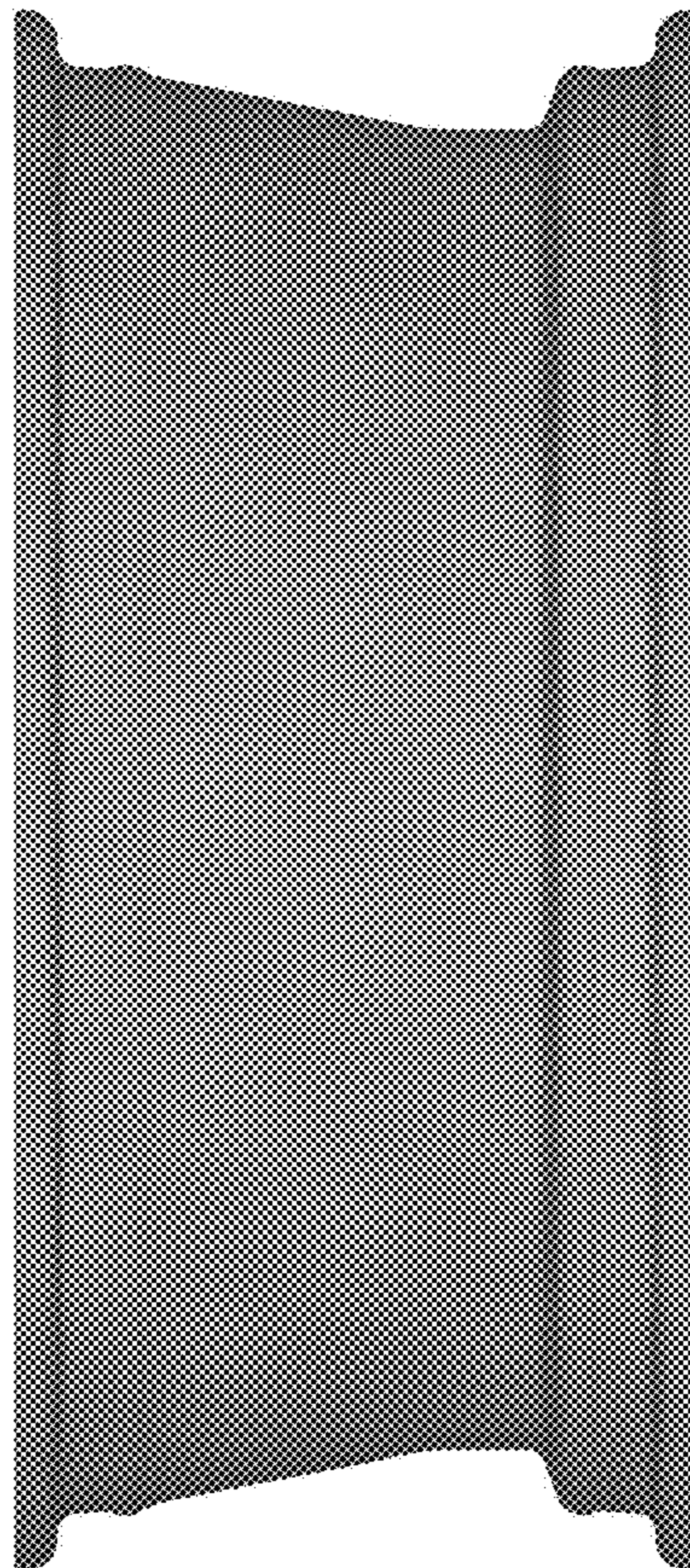


FIG. 11

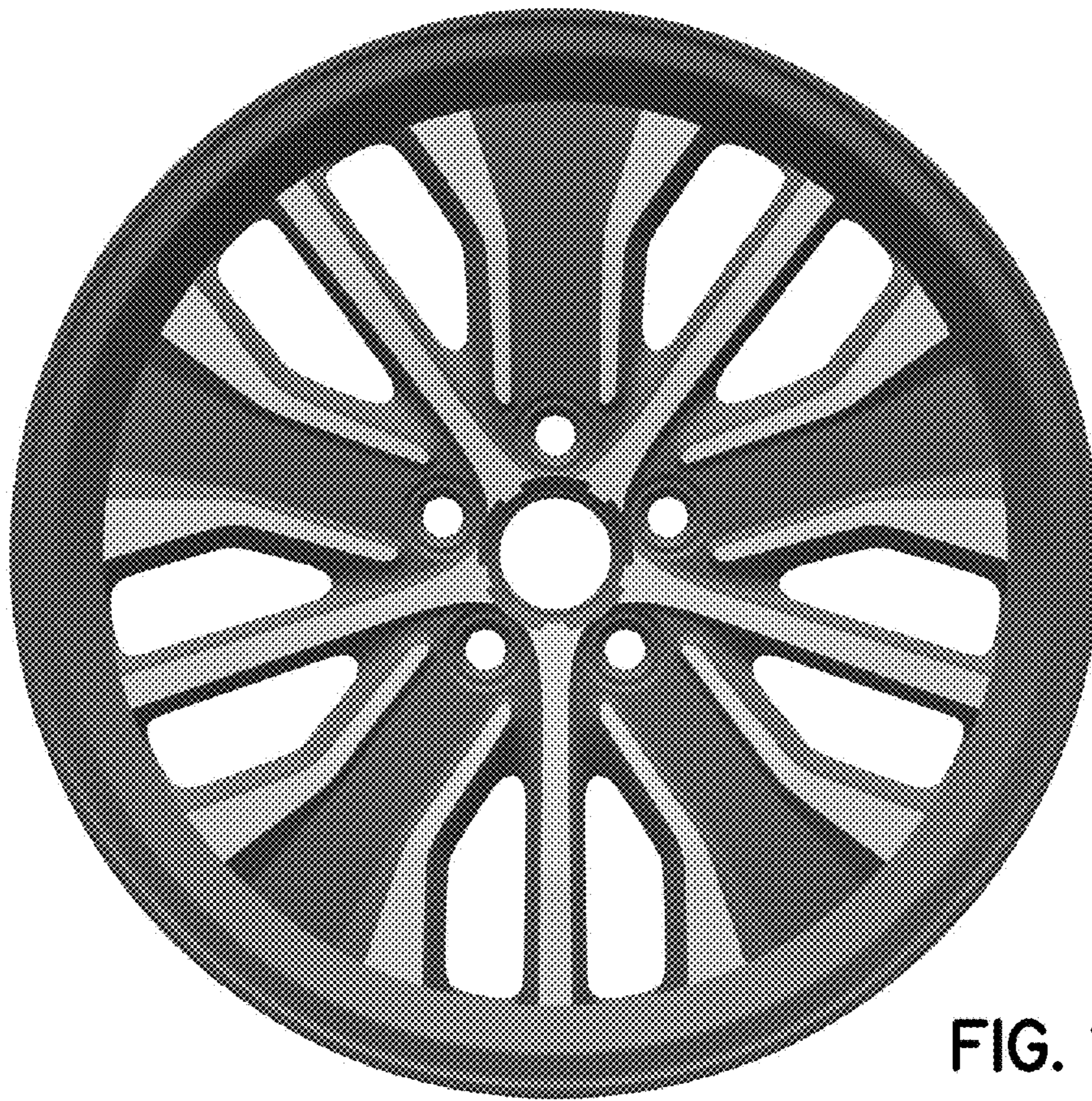


FIG. 12



FIG. 13



FIG. 14