



US00D878272S

(12) **United States Design Patent**
Buck

(10) **Patent No.:** **US D878,272 S**
(45) **Date of Patent:** **** Mar. 17, 2020**

- (54) **WHEEL**
- (71) Applicant: **Jaguar Land Rover Limited**, Whitley Coventry (GB)
- (72) Inventor: **Joe Buck**, Whitley Coventry (GB)
- (73) Assignee: **Jaguar Land Rover Limited**, Whitley, Coventry (GB)
- (**) Term: **15 Years**
- (21) Appl. No.: **29/684,864**
- (22) Filed: **Mar. 25, 2019**

Related U.S. Application Data

- (62) Division of application No. 29/626,462, filed on Nov. 17, 2017, now Pat. No. Des. 848,339.

(30) **Foreign Application Priority Data**

May 24, 2017 (EM) 004016863

- (51) **LOC (12) Cl.** **12-16**

- (52) **U.S. Cl.**
USPC **D12/209**

(58) **Field of Classification Search**

USPC D12/204–213
 CPC B60B 7/00; B60B 7/02; B60B 7/04; B60B 7/01; B60B 7/06; B60B 3/02; B60B 3/04; B60B 3/06; B60B 3/10; B60B 1/00; B60B 1/08; B60B 1/10; B60B 1/12
 See application file for complete search history.

(56) **References Cited**

U.S. PATENT DOCUMENTS

- D409,967 S * 5/1999 Chung D12/209
- D438,500 S * 3/2001 Embrador D12/209

- D453,722 S * 2/2002 Fitzgerald D12/209
- D503,917 S * 4/2005 Kushartanto D12/209
- D519,434 S * 4/2006 Werner D12/211
- D527,325 S * 8/2006 Nagashima D12/209
- D623,110 S * 9/2010 Juergens D12/209
- D677,208 S * 3/2013 Gotschke D12/209
- D701,157 S * 3/2014 McMath D12/211
- D730,796 S * 6/2015 Dingle D12/209
- D747,250 S * 1/2016 Bildhaeuser D12/209
- D772,131 S * 11/2016 Wheel D12/209
- D777,638 S * 1/2017 Peat D12/209
- D783,493 S * 4/2017 Hubers D12/209
- D800,045 S * 10/2017 Taylor D12/211
- D848,339 S * 5/2019 Buck D12/209
- D865,629 S * 11/2019 Ma D12/209

* cited by examiner

Primary Examiner — Stacia A Cadmus

(74) *Attorney, Agent, or Firm* — Wood Herron & Evans LLP

(57) **CLAIM**

The ornamental design for a wheel, as shown and described.

DESCRIPTION

FIG. 1 is a front left perspective view of a wheel for a vehicle according to the present invention.
 FIG. 2 is a front right perspective view of the wheel shown in FIG. 1.
 FIG. 3 is a front view thereof.
 FIG. 4 is a left side view thereof, the right side view being a mirror image thereof.
 FIG. 5 is a rear view thereof.
 FIG. 6 is a rear right perspective view thereof; and,
 FIG. 7 is a rear left perspective view thereof.

1 Claim, 5 Drawing Sheets

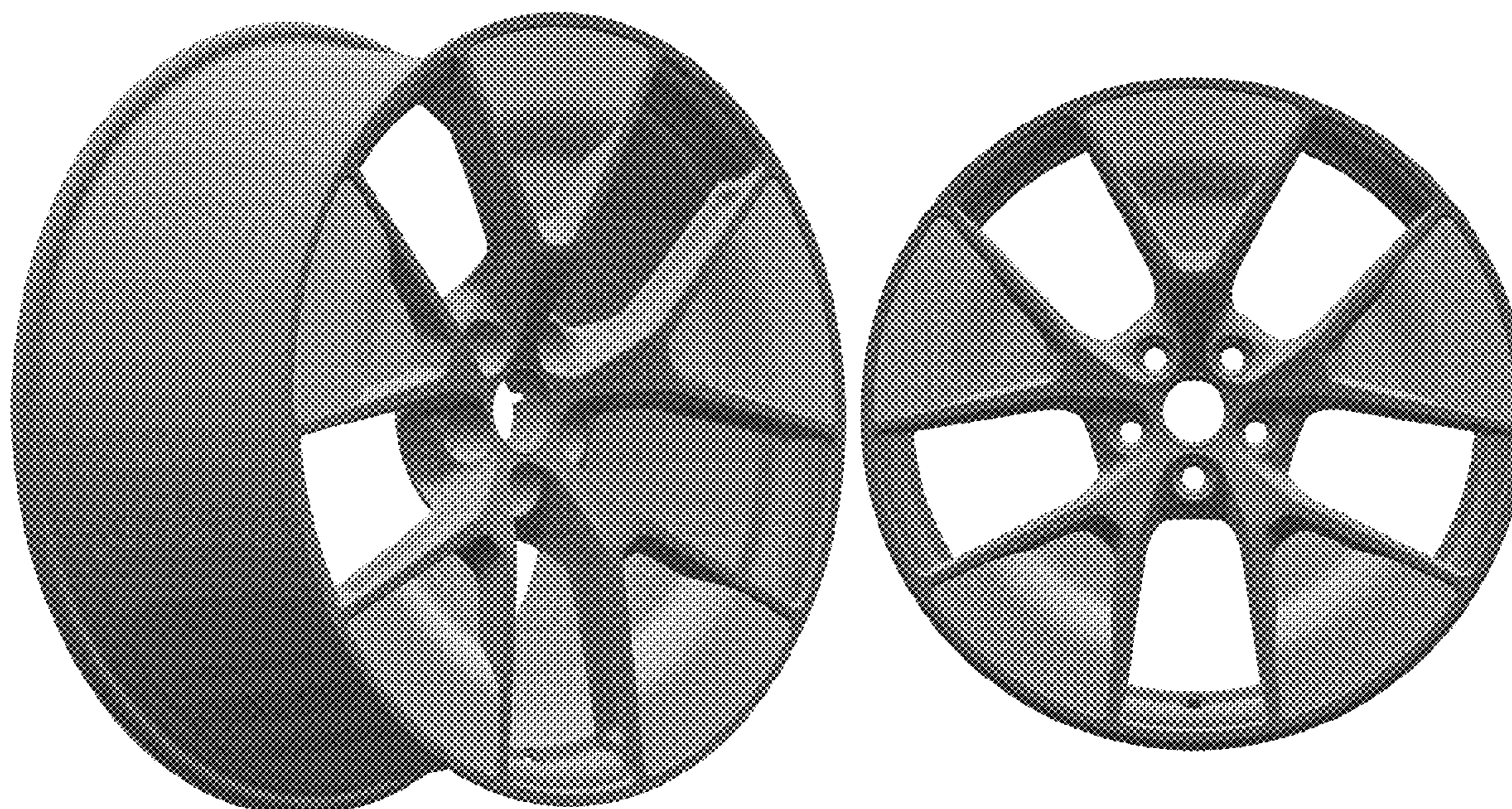




FIG. 1



FIG. 2



FIG. 3

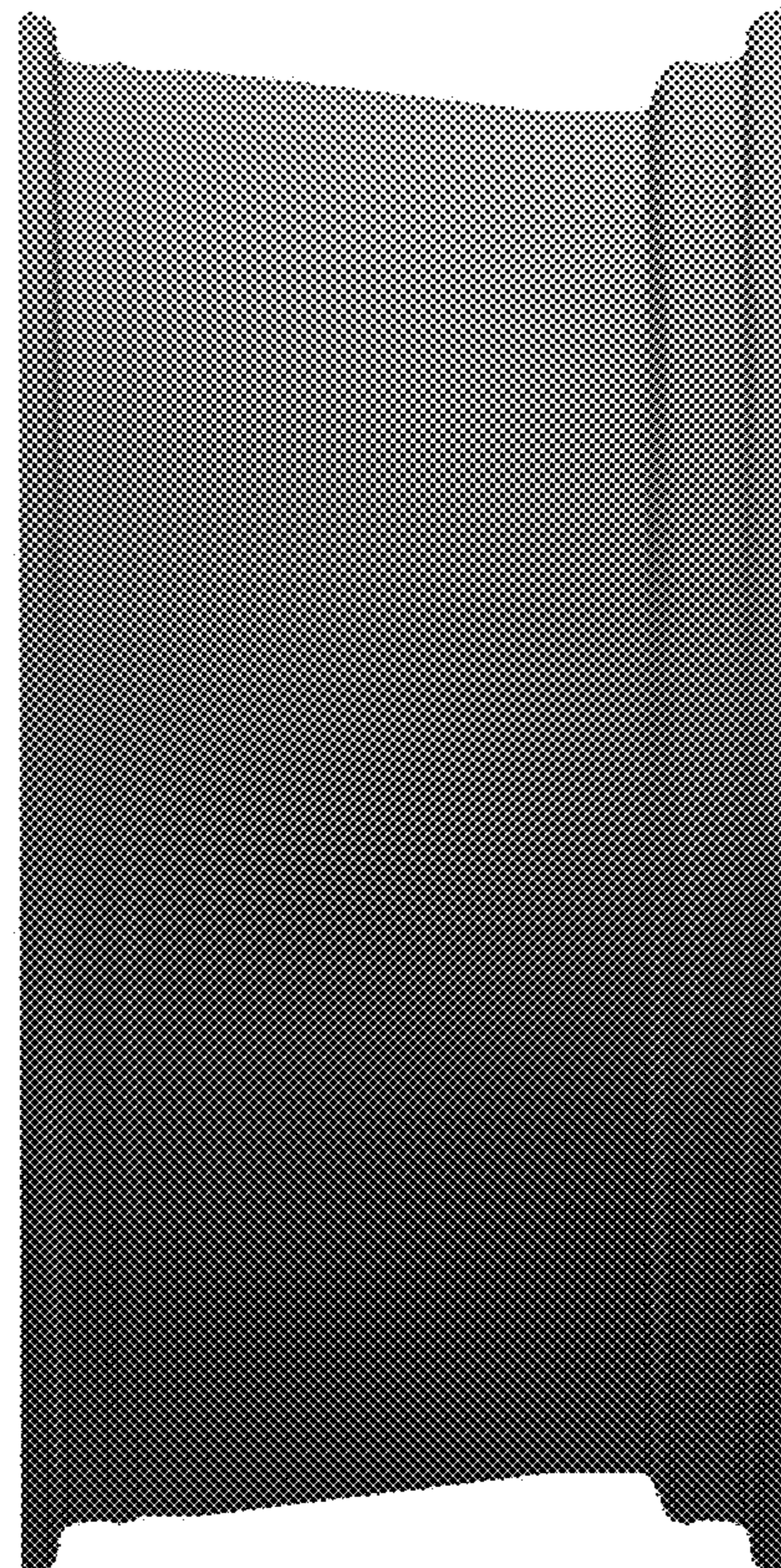


FIG. 4



FIG. 5

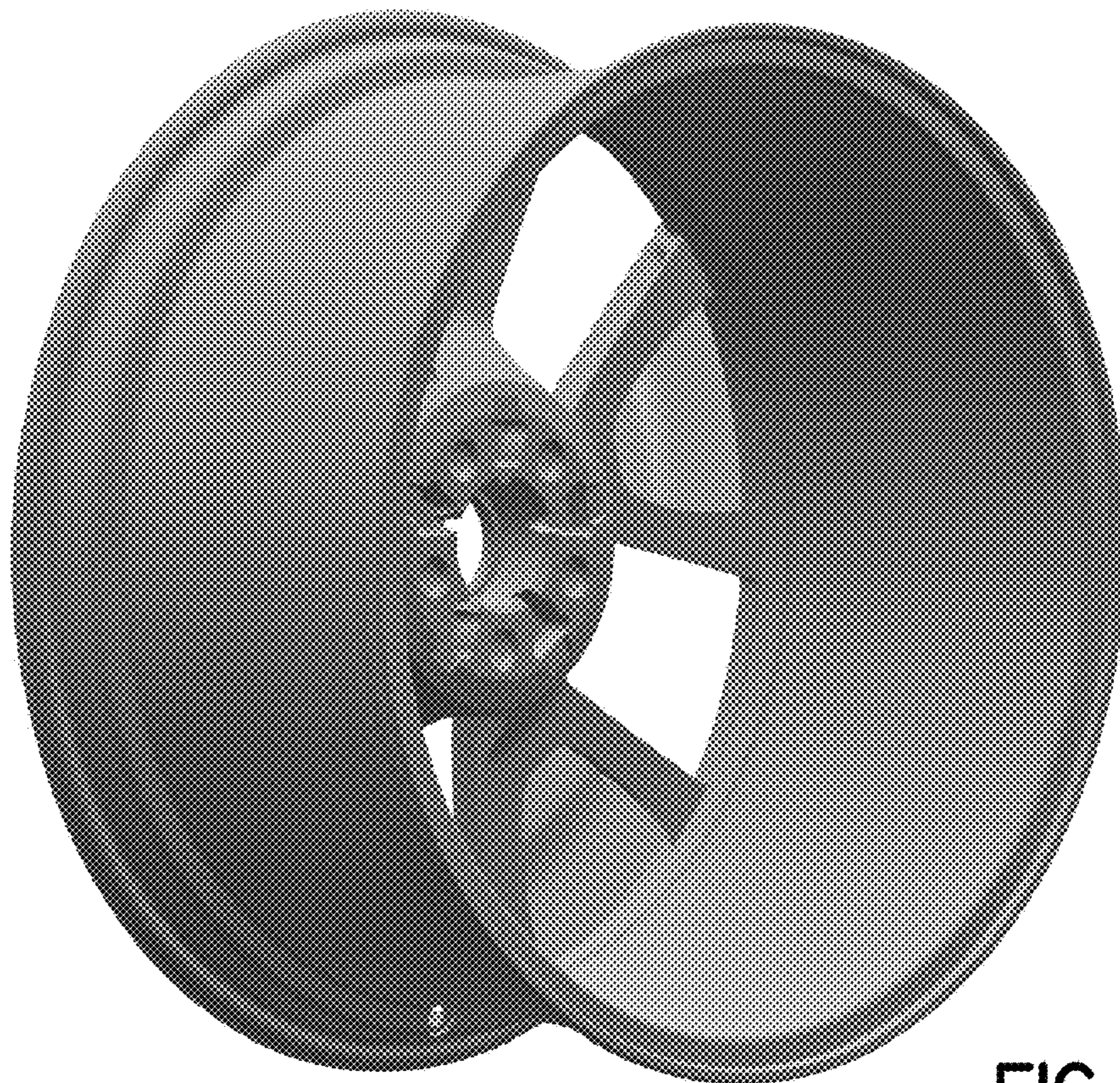


FIG. 6

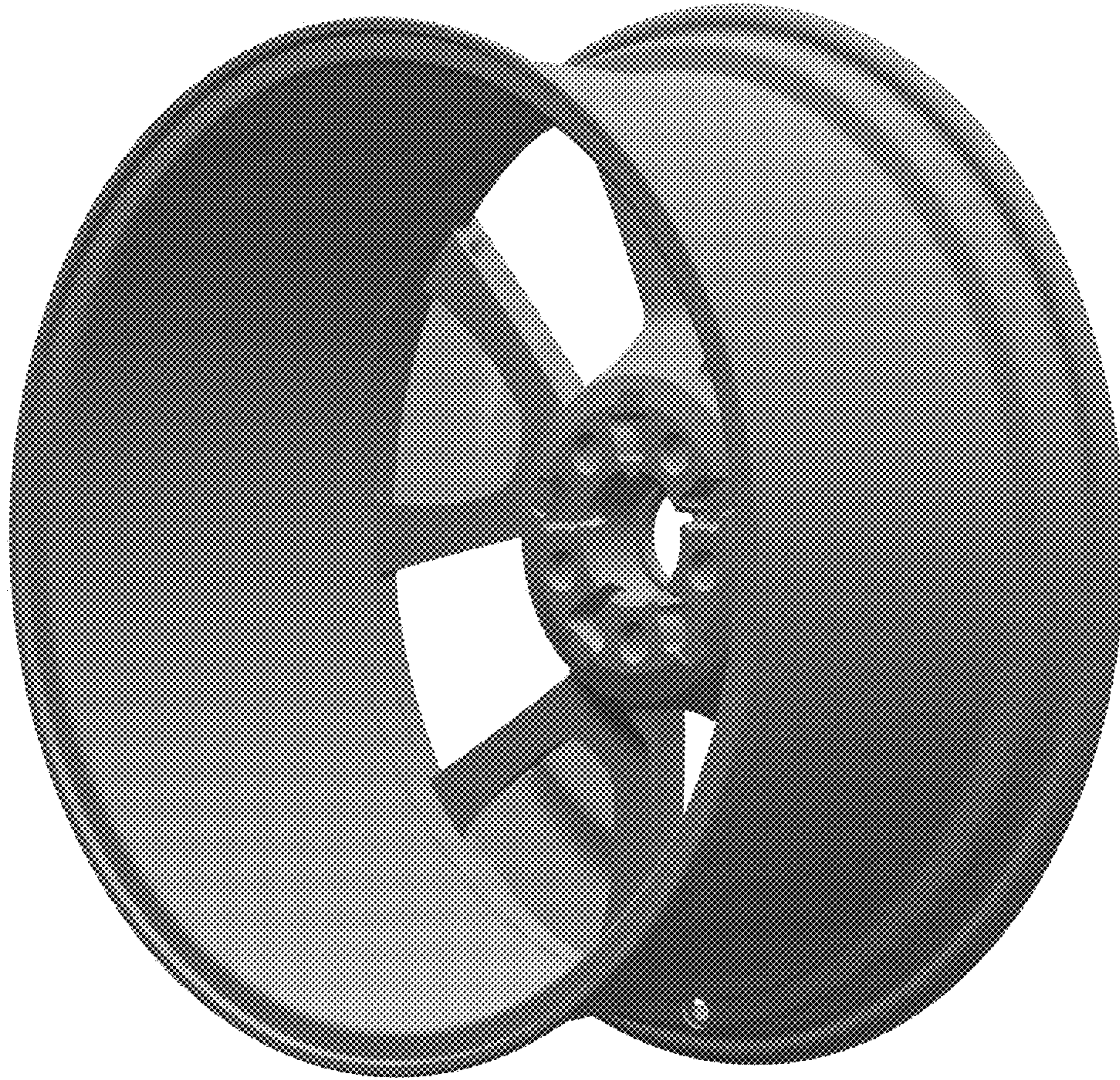


FIG. 7