



US00D878271S

(12) **United States Design Patent** (10) **Patent No.:** **US D878,271 S**
Tovey (45) **Date of Patent:** **** Mar. 17, 2020**

(54) **WHEEL**
(71) Applicant: **Jaguar Land Rover Limited**, Whitley, Coventry (GB)
(72) Inventor: **Simon Tovey**, Whitley Coventry (GB)
(73) Assignee: **Jaguar Land Rover Limited**, Whitley, Coventry (GB)
(**) Term: **15 Years**
(21) Appl. No.: **29/684,605**
(22) Filed: **Mar. 22, 2019**

Related U.S. Application Data

(62) Division of application No. 29/624,948, filed on Nov. 6, 2017, now Pat. No. Des. 848,337.

(30) **Foreign Application Priority Data**

May 11, 2017 (EM) 003997071

(51) **LOC (12) Cl.** **12-16**

(52) **U.S. Cl.**
USPC **D12/209**

(58) **Field of Classification Search**

USPC D12/204–213

CPC B60B 7/00; B60B 7/02; B60B 7/04; B60B 7/01; B60B 7/06; B60B 3/02; B60B 3/04; B60B 3/06; B60B 3/10; B60B 1/00; B60B 1/08; B60B 1/10; B60B 1/12

See application file for complete search history.

(56) **References Cited**

U.S. PATENT DOCUMENTS

D619,524 S * 7/2010 Gabath D12/209
D626,905 S * 11/2010 Camacho D12/209
D734,235 S * 7/2015 Juergens D12/209
D740,191 S * 10/2015 Webber D12/209

D744,927 S * 12/2015 Morgenstern D12/209
D751,016 S * 3/2016 Valencia Pollex D12/209
D763,159 S * 8/2016 Valencia Pollex D12/209
D768,553 S * 10/2016 Ishii D12/209
D783,491 S * 4/2017 Valencia Pollex D12/209
D783,492 S * 4/2017 Valencia Pollex D12/209
D788,674 S * 6/2017 Mielke D12/209
D789,863 S * 6/2017 Yoneyama D12/209
D790,426 S * 6/2017 Valencia Pollex D12/209

(Continued)

Primary Examiner — Stacia A Cadmus

(74) *Attorney, Agent, or Firm* — Wood Herron & Evans LLP

(57) **CLAIM**

The ornamental design for a wheel, as shown and described.

DESCRIPTION

FIG. 1 is a front left perspective view of a wheel for a vehicle according to the present invention.

FIG. 2 is a front right perspective view of the wheel shown in FIG. 1.

FIG. 3 is a front view thereof.

FIG. 4 is a left side view thereof, the right side being a mirror image thereof.

FIG. 5 is a rear view thereof.

FIG. 6 is a rear right perspective view thereof.

FIG. 7 is a rear left perspective view thereof.

FIG. 8 is a front left perspective view of a wheel for a vehicle according to a second embodiment of the present invention.

FIG. 9 is a front right perspective view of the wheel shown in FIG. 8.

FIG. 10 is a front view thereof.

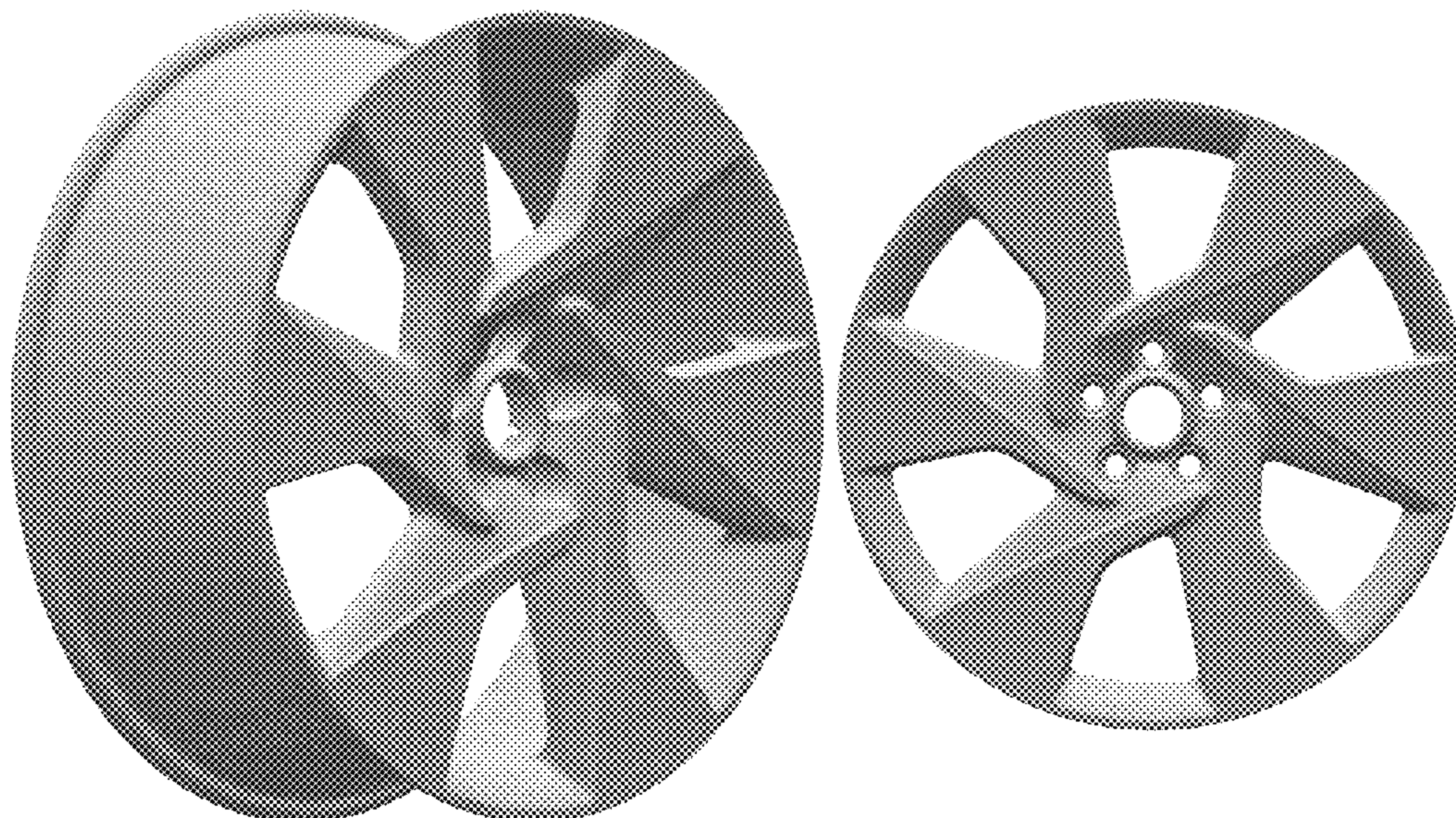
FIG. 11 is a left side view thereof, the right side being a mirror image thereof.

FIG. 12 is a rear view thereof.

FIG. 13 is a rear right perspective view thereof; and,

FIG. 14 is a rear left perspective view thereof.

1 Claim, 10 Drawing Sheets



(56)

References Cited

U.S. PATENT DOCUMENTS

D791,033	S	*	7/2017	Peat	D12/209
D792,305	S	*	7/2017	Terui	D12/209
D795,778	S	*	8/2017	Valencia Pollex	D12/211
D797,024	S	*	9/2017	Ariga	D12/209
D807,269	S	*	1/2018	Peat	D12/209
D827,545	S	*	9/2018	Kawaguchi	D12/209
D830,270	S	*	10/2018	Ma	D12/211
D830,939	S	*	10/2018	Ma	D12/211
D848,337	S	*	5/2019	Tovey	D12/209

* cited by examiner



FIG. 1



FIG. 2

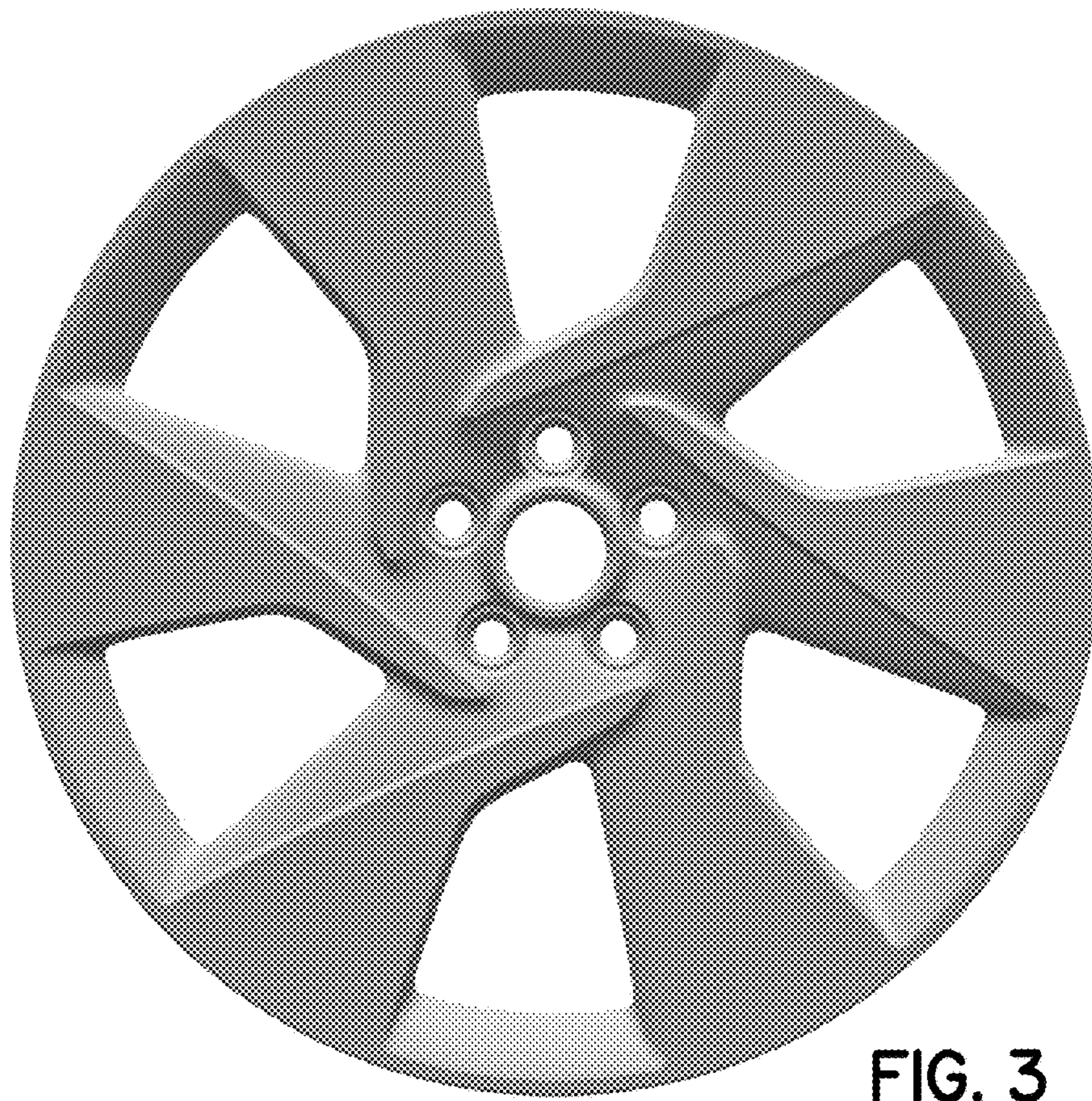


FIG. 3

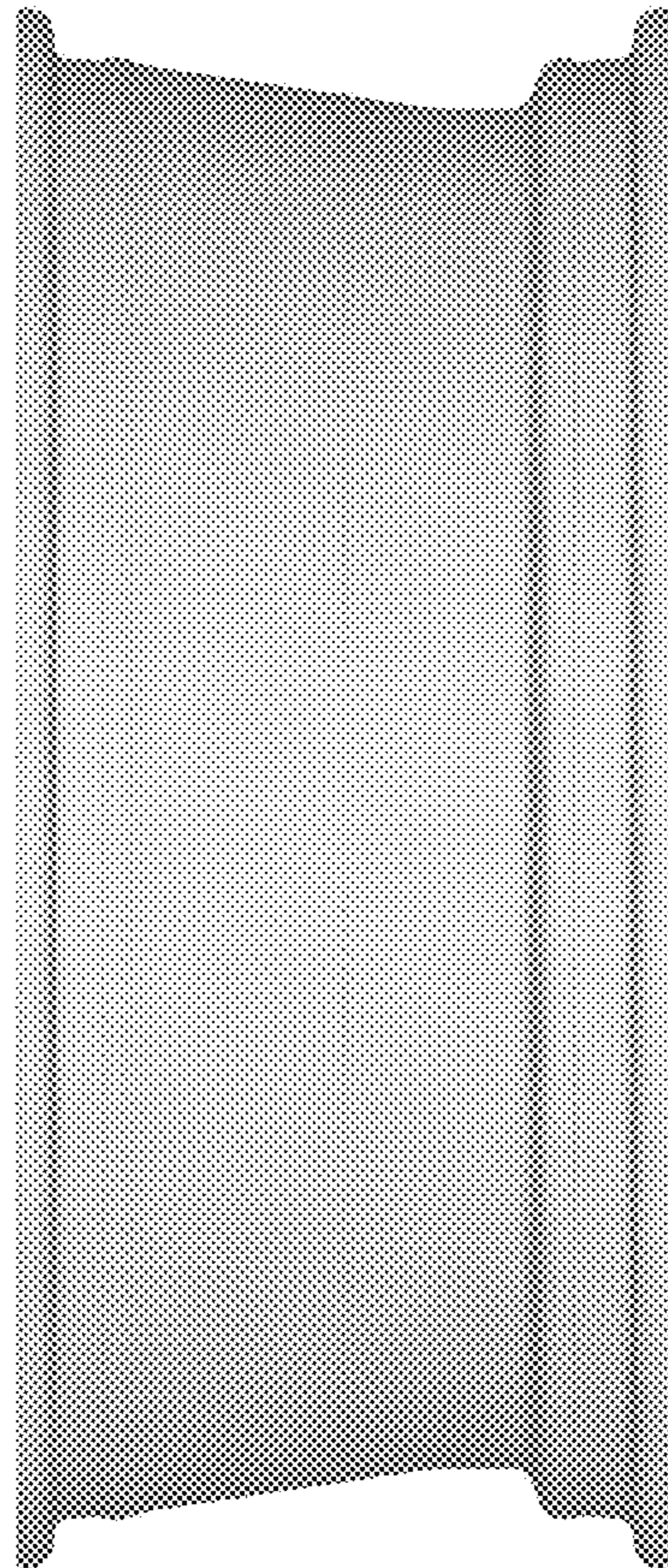


FIG. 4

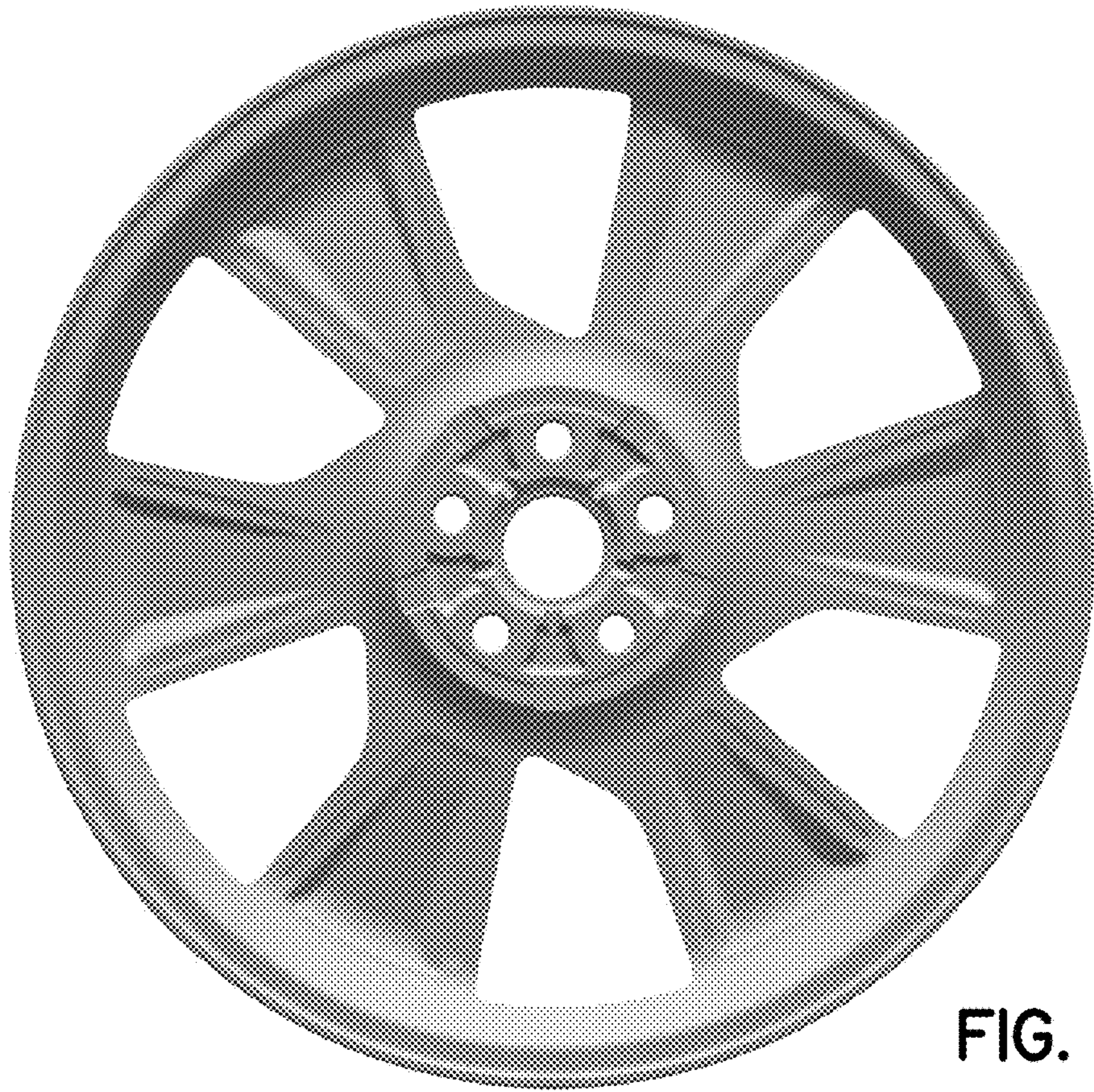


FIG. 5



FIG. 6



FIG. 7



FIG. 8



FIG. 9

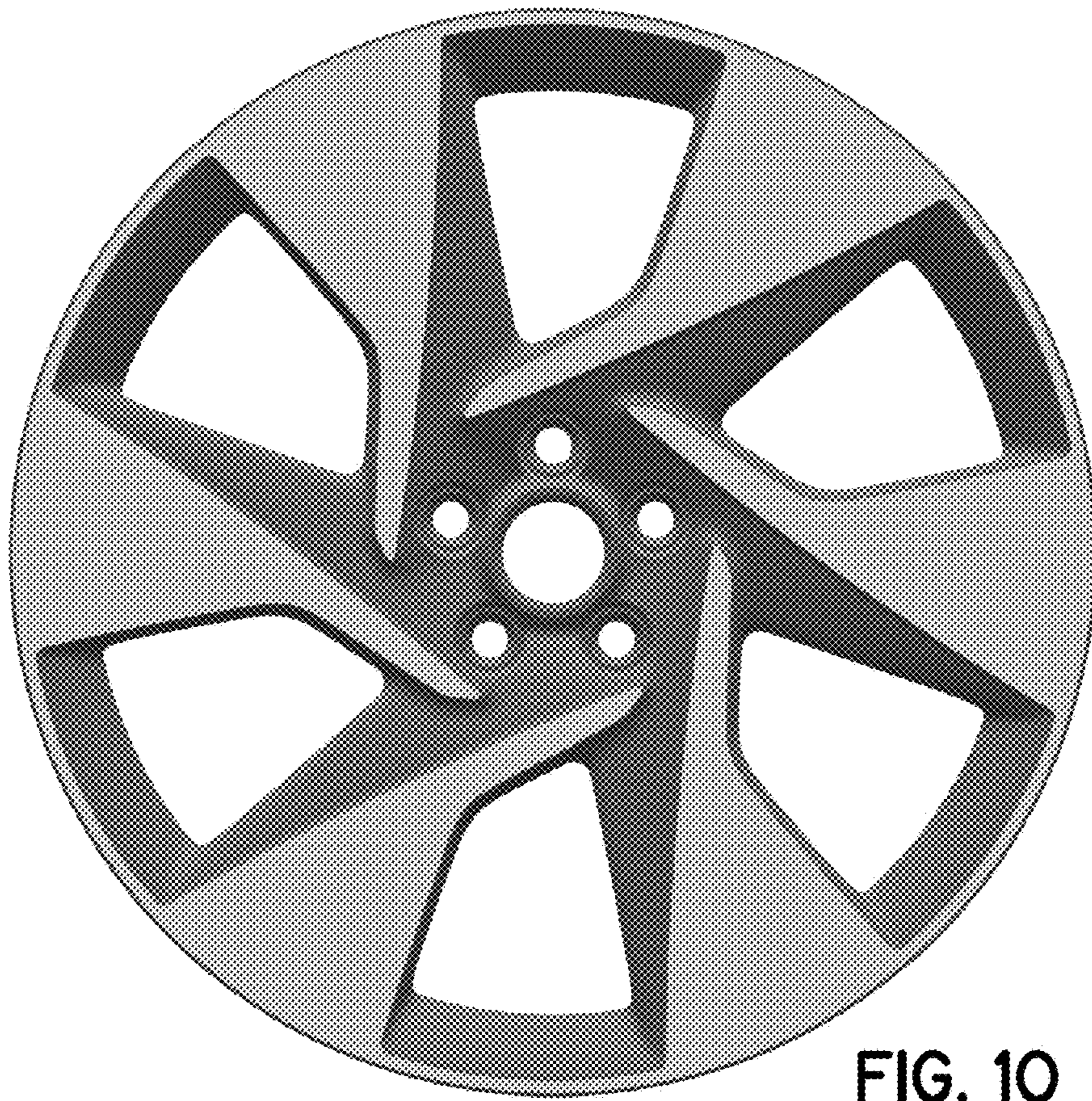


FIG. 10

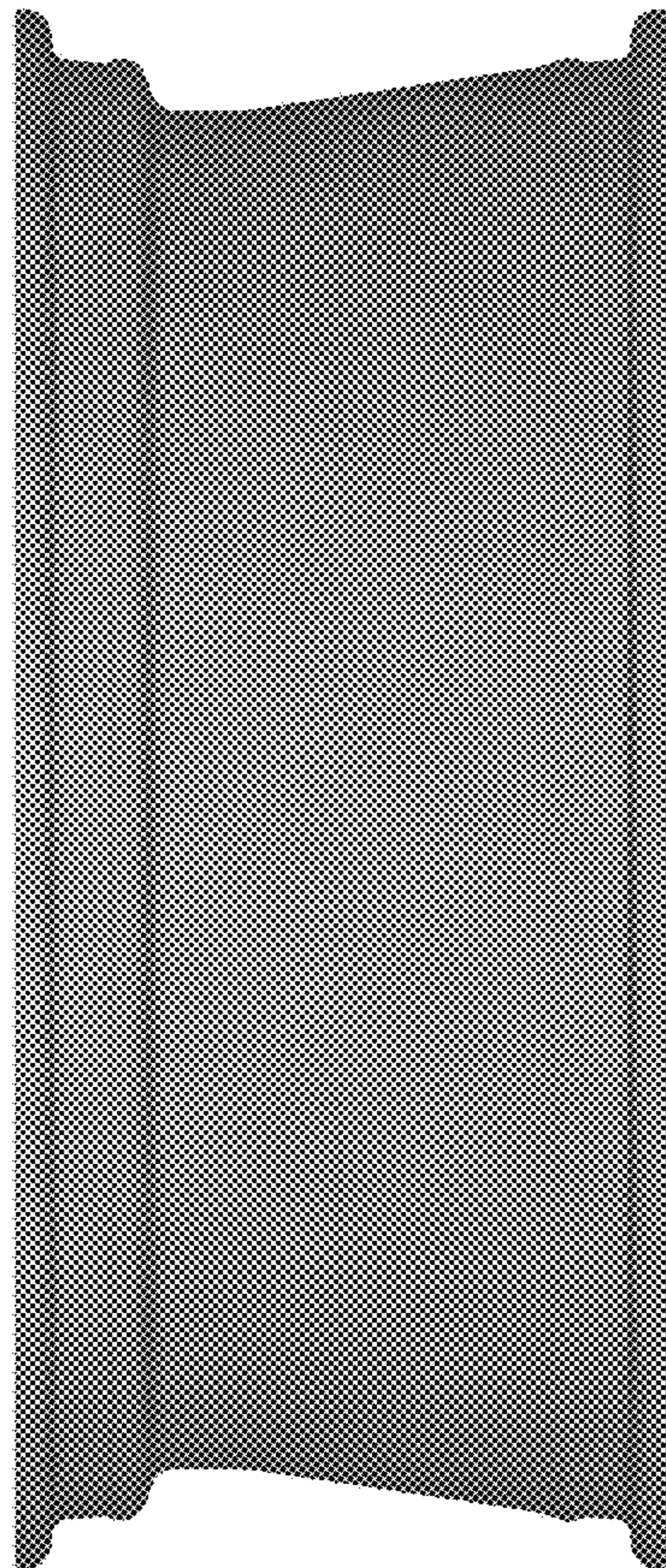


FIG. 11



FIG. 12



FIG. 13



FIG. 14