



US00D878270S

(12) **United States Design Patent**
Han

(10) **Patent No.:** **US D878,270 S**
(45) **Date of Patent:** **** Mar. 17, 2020**

- (54) **AUTOMOTIVE WHEEL**
- (71) Applicant: **Donnie Han**, Corona, CA (US)
- (72) Inventor: **Donnie Han**, Corona, CA (US)
- (**) Term: **15 Years**
- (21) Appl. No.: **29/663,735**
- (22) Filed: **Sep. 18, 2018**
- (51) **LOC (12) Cl.** **12-16**
- (52) **U.S. Cl.**
USPC **D12/209**
- (58) **Field of Classification Search**
USPC D12/204-213; D21/563
CPC B60B 7/00; B60B 7/02; B60B 7/04; B60B
7/01; B60B 7/06; B60B 3/02; B60B 3/04;
B60B 3/06; B60B 3/10; B60B 1/00;
B60B 1/08; B60B 1/10; B60B 1/12
See application file for complete search history.

D738,280 S *	9/2015	Hale	D12/209
D828,270 S *	9/2018	Aslam	D12/211
D831,558 S *	10/2018	Starr, Jr.	D12/209
D842,201 S *	3/2019	Han	D12/209
D849,638 S *	5/2019	Ranum	D12/209
D860,907 S *	9/2019	Han	D12/209
D870,630 S *	12/2019	Ash	D12/209
D871,300 S *	12/2019	Ash	D12/209

* cited by examiner

Primary Examiner — Stacia A Cadmus

(56) **References Cited**
U.S. PATENT DOCUMENTS

D528,956 S *	9/2006	Kim	D12/209
D578,947 S *	10/2008	Arora	D12/209

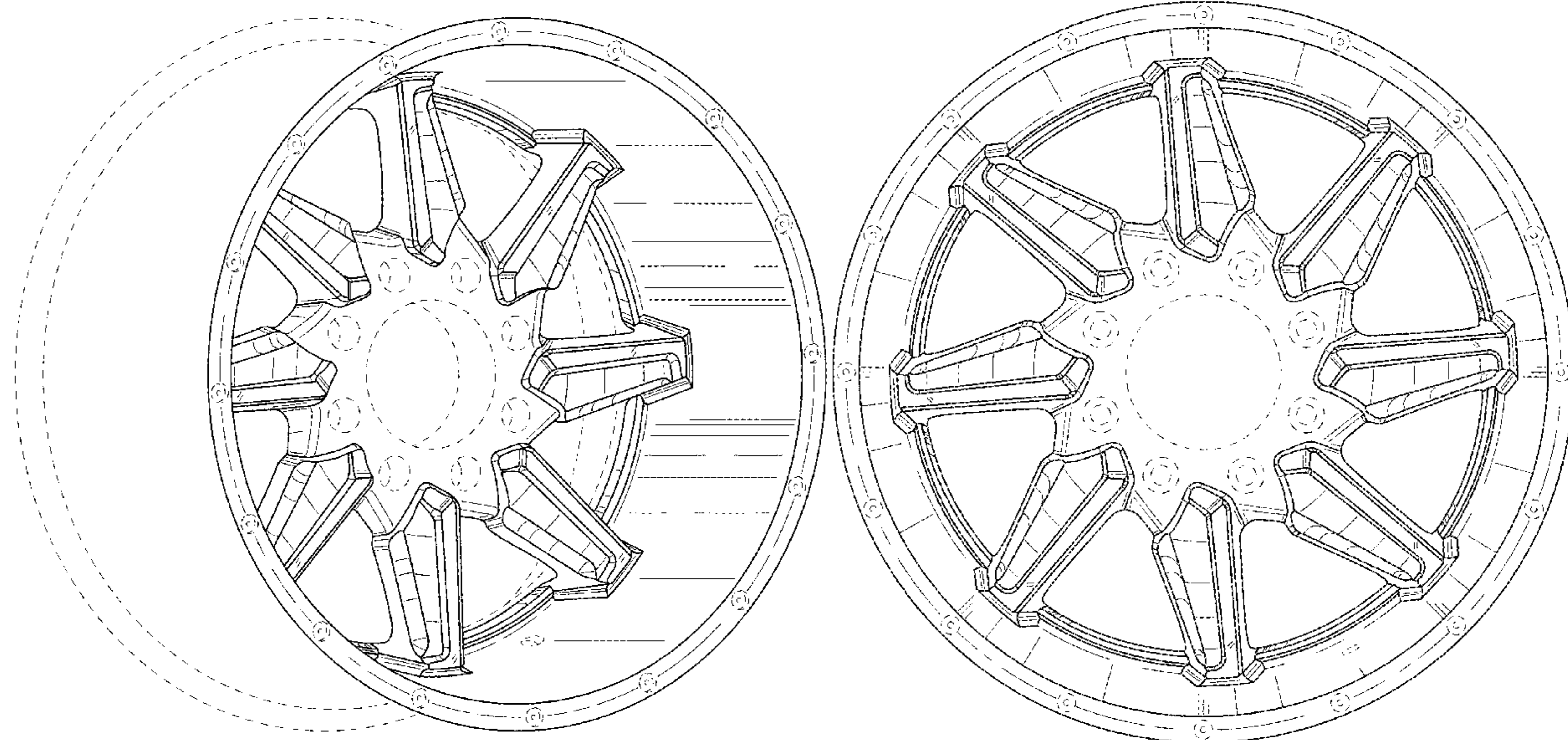
(57) **CLAIM**

The ornamental design for an automotive wheel, as shown and described.

DESCRIPTION

FIG. 1 is a perspective view of an automotive wheel, showing my new design; and, FIG. 2 is a front view thereof. In the drawings, the broken lines depict environmental subject matter and form no part of the claimed design.

1 Claim, 2 Drawing Sheets



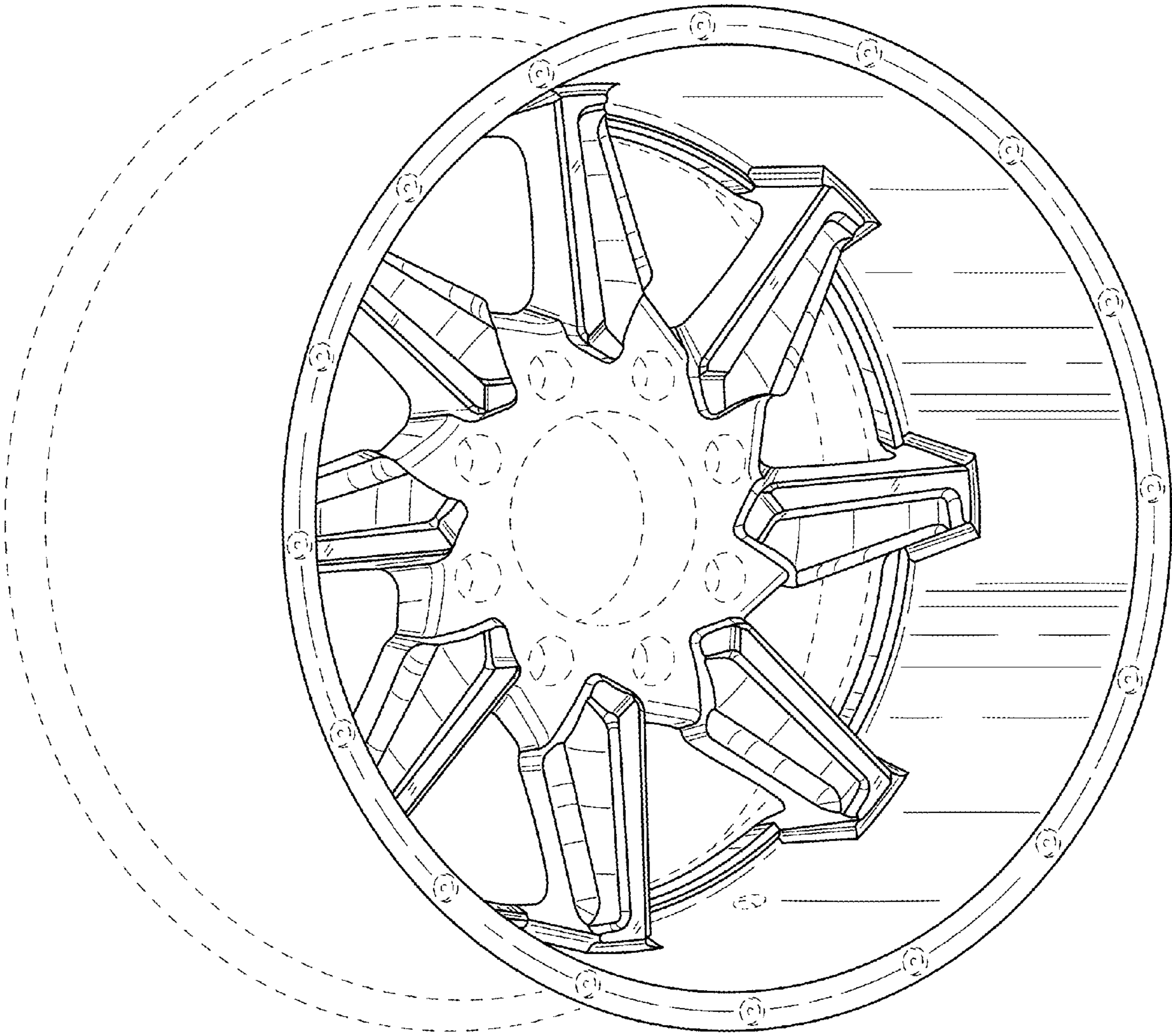


FIGURE 1

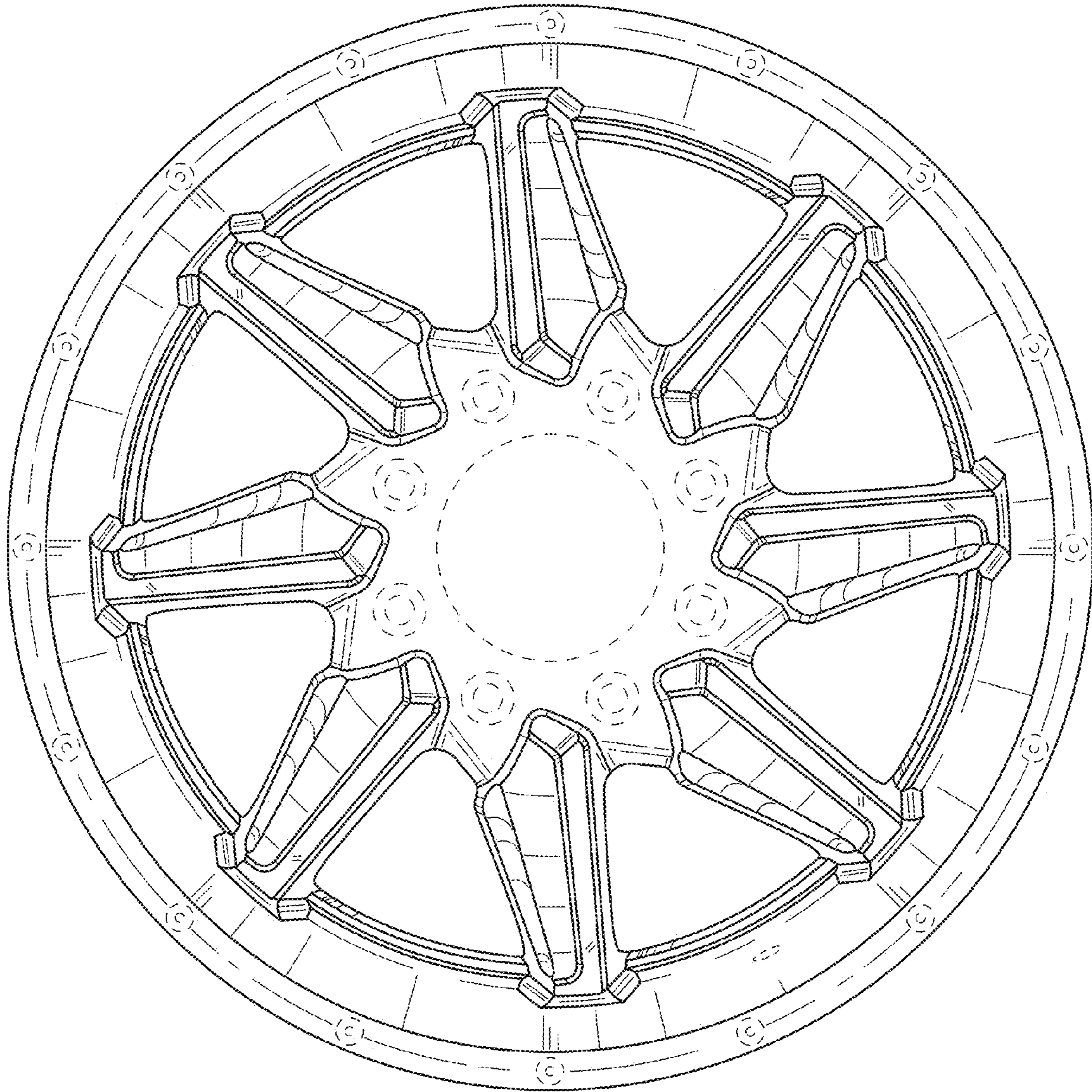


FIGURE 2