



US00D878269S

(12) **United States Design Patent**
Hoffner et al.

(10) **Patent No.:** **US D878,269 S**

(45) **Date of Patent:** **** Mar. 17, 2020**

- (54) **RIM**
- (71) Applicant: **Byton Limited**, Hong Kong (HK)
- (72) Inventors: **Clement Hoffner**, Munich (DE);
Christoph Giroux, Selongey (FR);
Benoit Jacob, Munich (DE)
- (73) Assignee: **BYTON LIMITED**, Hong Kong (HK)
- (**) Term: **15 Years**
- (21) Appl. No.: **29/639,486**
- (22) Filed: **Mar. 6, 2018**
- (30) **Foreign Application Priority Data**
Sep. 6, 2017 (EM) 004244820-0011
- (51) **LOC (12) Cl.** **12-16**
- (52) **U.S. Cl.**
USPC **D12/209**
- (58) **Field of Classification Search**
USPC D12/204–213
CPC B60B 7/00; B60B 7/02; B60B 7/04; B60B
7/01; B60B 7/06; B60B 3/04; B60B 1/00;
B60B 3/10; B60B 1/10; B60B 1/08;
B60B 3/06; B60B 1/12; B60B 3/02
See application file for complete search history.

(56) **References Cited**

U.S. PATENT DOCUMENTS

| | | | | | |
|------------|---|---------|----------|-------|---------|
| D669,833 S | * | 10/2012 | Pollmann | | D12/209 |
| D671,475 S | * | 11/2012 | Juergens | | D12/209 |
| D682,761 S | * | 5/2013 | Pollmann | | D12/209 |
| D683,680 S | * | 6/2013 | Kito | | D12/204 |
| D683,681 S | * | 6/2013 | Juergens | | D12/209 |
| D685,709 S | * | 7/2013 | Hanaoka | | D12/209 |
| D695,186 S | * | 12/2013 | Pollmann | | D12/209 |

| | | | | | |
|------------|---|---------|-----------------|-------|---------|
| D695,190 S | * | 12/2013 | Goto | | D12/209 |
| D729,138 S | * | 5/2015 | Davidson | | D12/209 |
| D748,553 S | * | 2/2016 | Miyazawa | | D12/209 |
| D764,999 S | * | 8/2016 | Song | | D12/209 |
| D778,798 S | * | 2/2017 | Park | | D12/209 |
| D780,083 S | * | 2/2017 | Wheel | | D12/209 |
| D781,763 S | * | 3/2017 | Webber | | D12/209 |
| D789,860 S | * | 6/2017 | Lee | | D12/209 |
| D791,040 S | * | 7/2017 | Umehara | | D12/209 |
| D792,306 S | * | 7/2017 | Ishigaki | | D12/209 |
| D803,131 S | * | 11/2017 | Bridan | | D12/209 |
| D804,388 S | * | 12/2017 | Snyder | | D12/209 |
| D806,629 S | * | 1/2018 | Bridan | | D12/211 |
| D813,138 S | * | 3/2018 | Chung | | D12/211 |
| D813,139 S | * | 3/2018 | Chung | | D12/211 |
| D817,247 S | * | 5/2018 | Valencia Pollex | | D12/209 |
| D818,925 S | * | 5/2018 | Sugiyama | | D12/209 |
| D819,536 S | * | 6/2018 | Austin | | D12/209 |
| D822,574 S | * | 7/2018 | Rucigaj | | D12/209 |
| D823,432 S | * | 7/2018 | Oh | | D23/209 |
| D826,826 S | * | 8/2018 | Back | | D12/209 |
| D828,269 S | * | 9/2018 | Kikuchi | | D12/209 |
| D828,801 S | * | 9/2018 | Valencia Pollex | | D12/209 |
| D830,939 S | * | 10/2018 | Ma | | D12/211 |
| D848,925 S | * | 5/2019 | Myrberg | | D12/209 |
| D856,254 S | * | 8/2019 | Melville-Brown | | D12/209 |

(Continued)

Primary Examiner — Stacia A Cadmus

(74) *Attorney, Agent, or Firm* — Womble Bond Dickinson (US) LLP

(57) **CLAIM**

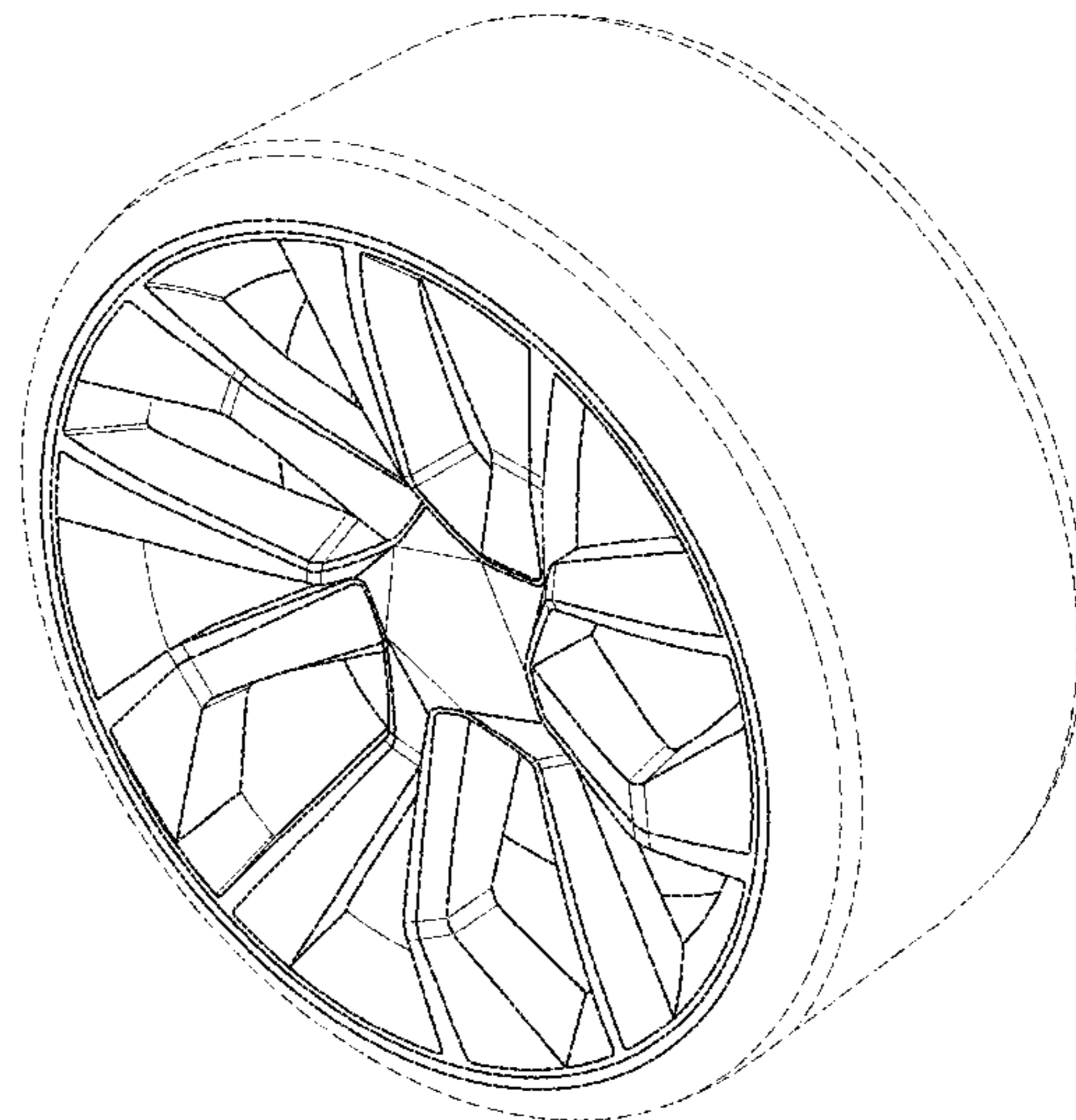
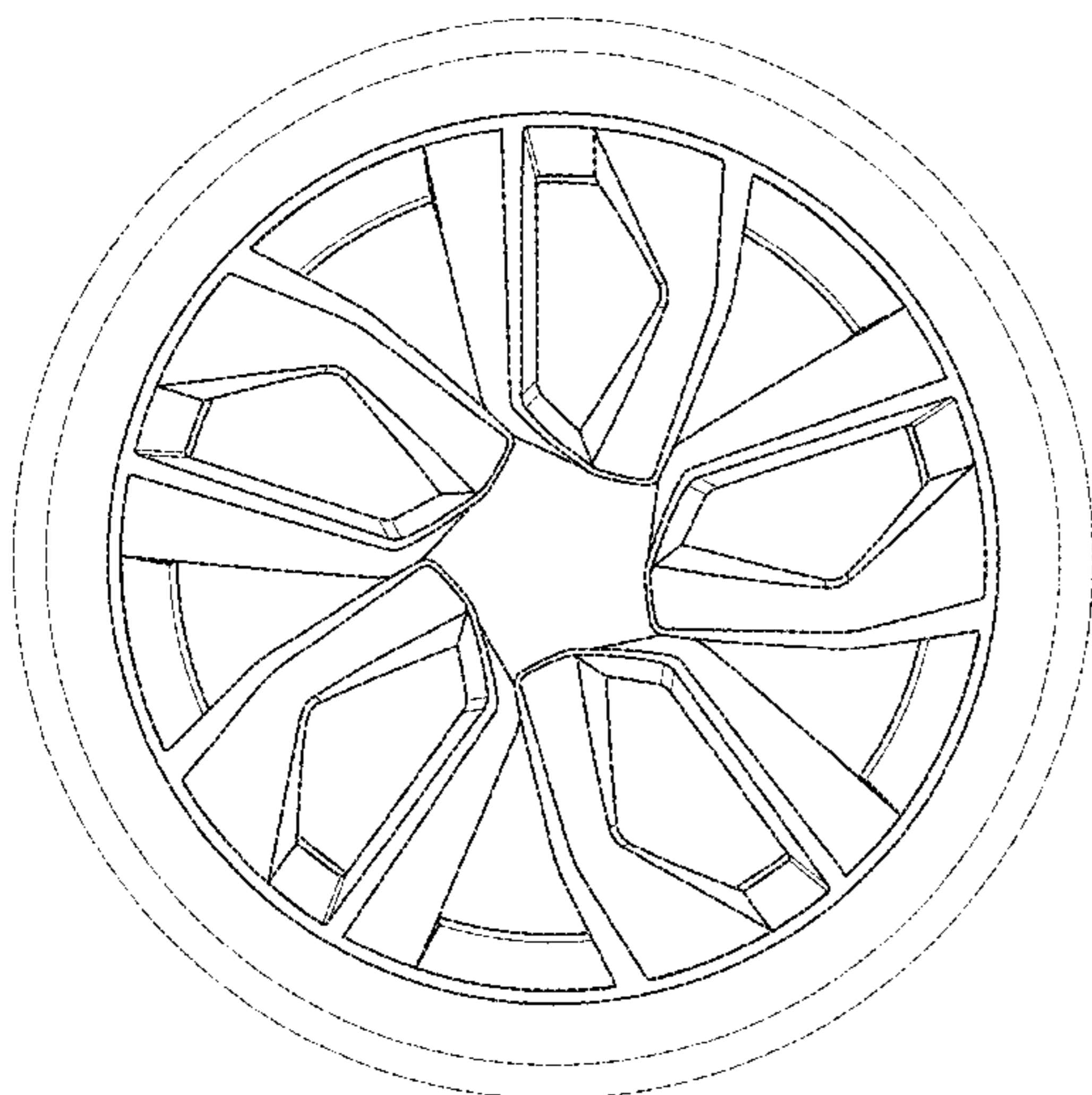
The ornamental design for a rim, as shown and described.

DESCRIPTION

FIG. 1 is a front view of a rim showing the new design; and, FIG. 2 is a front and right-side-facing top perspective view thereof.

The broken lines show environmental structure and the broken lines form no part of the claimed design.

1 Claim, 2 Drawing Sheets



(56)

References Cited

U.S. PATENT DOCUMENTS

| | | | | |
|------------|---|---------|-----------------|---------|
| D856,887 S | * | 8/2019 | Imazato | D12/209 |
| D858,404 S | * | 9/2019 | Oh | D12/209 |
| D858,409 S | * | 9/2019 | Ulrike | D12/209 |
| D862,349 S | * | 10/2019 | Woodhouse | D12/209 |

* cited by examiner

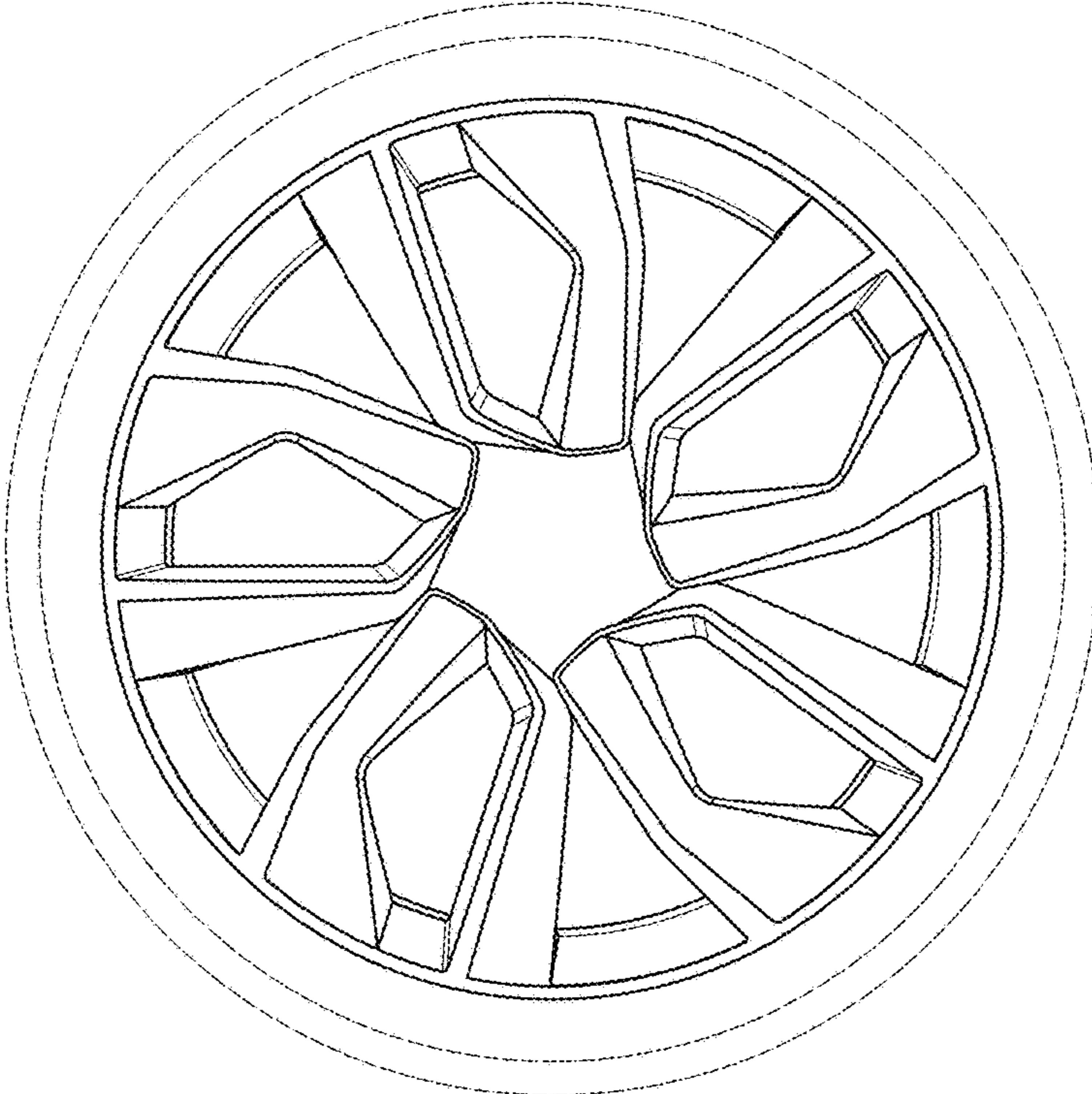


FIG. 1

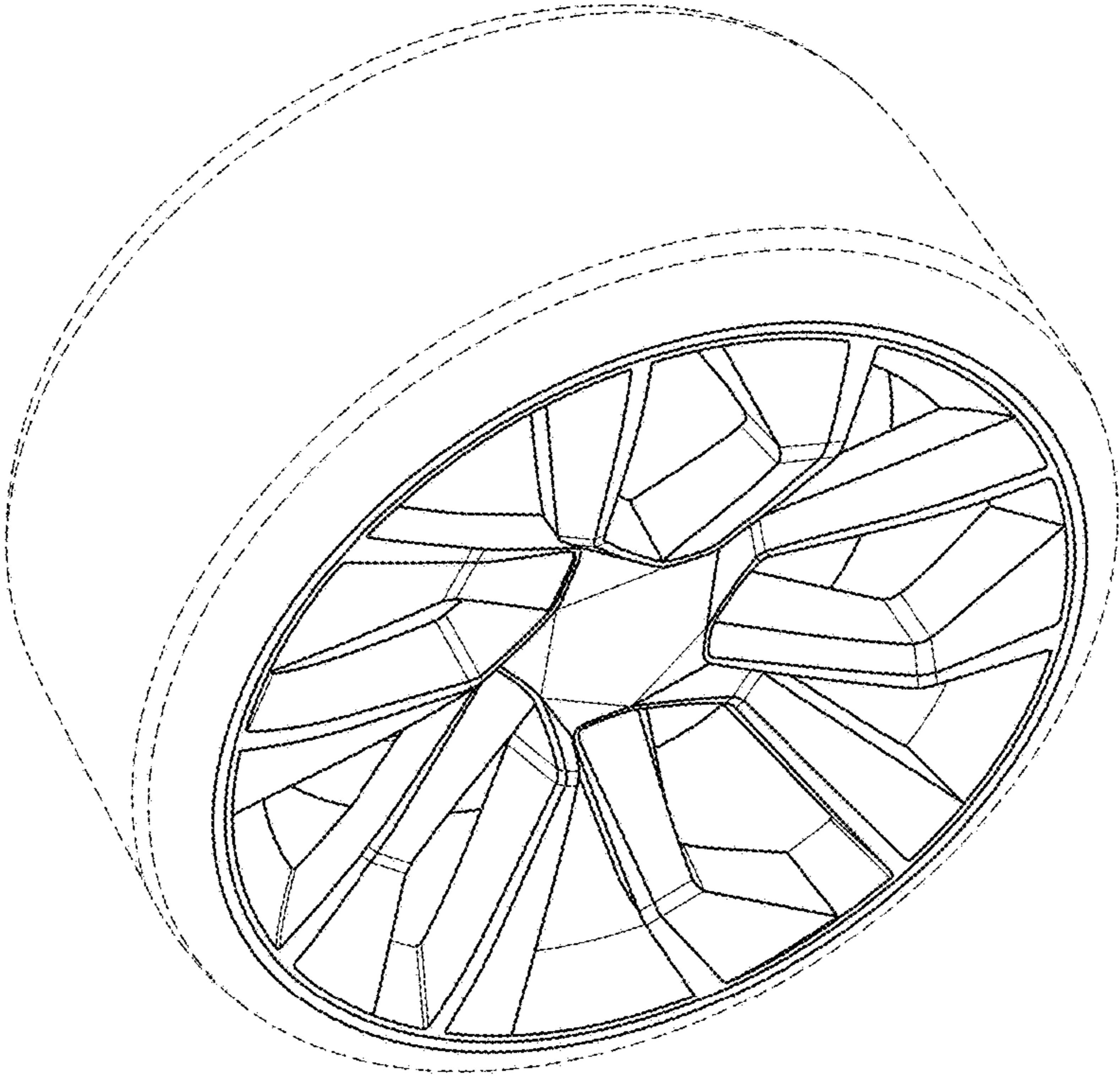


FIG. 2