



US00D878266S

(12) **United States Design Patent**
Perry

(10) **Patent No.:** **US D878,266 S**
(45) **Date of Patent:** **** Mar. 17, 2020**

(54) **LICENSE PLATE FISHING POLES HOLDER**

(71) Applicant: **Thomas Perry**, Jackson, NJ (US)

(72) Inventor: **Thomas Perry**, Jackson, NJ (US)

(**) Term: **15 Years**

(21) Appl. No.: **29/637,147**

(22) Filed: **Feb. 14, 2018**

(51) **LOC (12) Cl.** **12-16**

(52) **U.S. Cl.**
USPC **D12/193**

(58) **Field of Classification Search**

USPC D12/193; D6/300, 301, 302, 310, 311,
D6/312, 313, 314; D20/13; D22/147
CPC B60R 13/10; B60R 13/105; B60R 19/24;
B60R 19/52

See application file for complete search history.

(56) **References Cited**

U.S. PATENT DOCUMENTS

D310,347 S *	9/1990	Spencer	D12/193
D372,956 S *	8/1996	Mills	D22/147
D409,274 S *	5/1999	Morse, Jr.	D22/147
D471,497 S *	3/2003	Baker	D12/193
D699,476 S *	2/2014	Gonzalez	D6/552
D723,440 S *	3/2015	Spencer	D12/193

(Continued)

Primary Examiner — *Natasha Vujcic*

(74) *Attorney, Agent, or Firm* — *Richard Malagiere, Esq.*

(57) **CLAIM**

I claim the ornamental design for a license plate fishing poles holder, as shown and described.

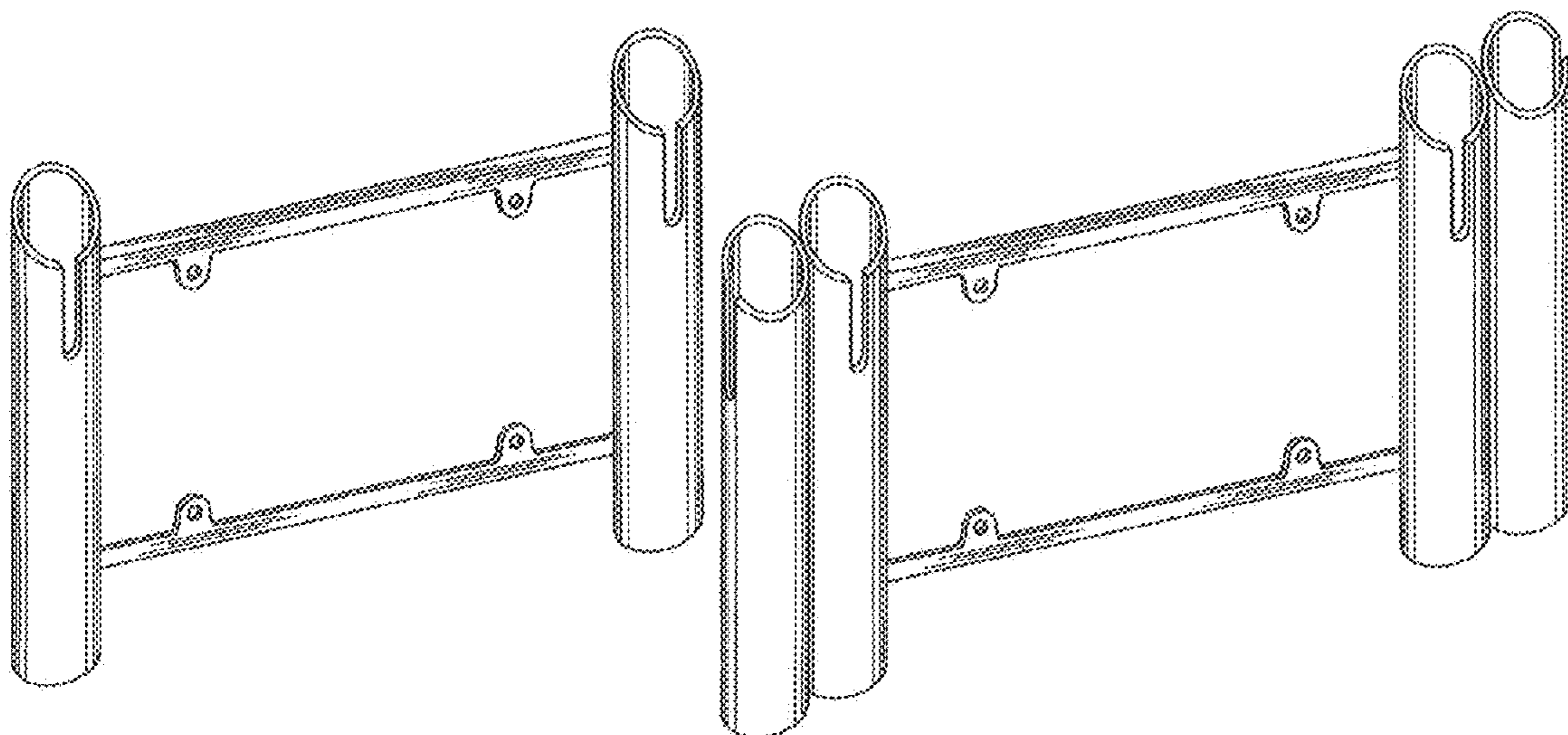
DESCRIPTION

FIG. 1 is a perspective view of an embodiment of the license plate fishing poles holder.

FIG. 2 is a front view thereof.
 FIG. 3 is a rear view thereof.
 FIG. 4 is a side view thereof.
 FIG. 5 is a side view thereof.
 FIG. 6 is a top view thereof.
 FIG. 7 is a bottom view thereof.
 FIG. 8 is a perspective view thereof showing surrounding environment thereof.
 FIG. 9 is a perspective view of an alternate embodiment of the license plate fishing poles holder.
 FIG. 10 is a front view thereof.
 FIG. 11 is a rear view thereof.
 FIG. 12 is a side view thereof.
 FIG. 13 is a side view thereof.
 FIG. 14 is a top view thereof.
 FIG. 15 is a bottom view thereof.
 FIG. 16 is a perspective view thereof showing surrounding environment thereof.
 FIG. 17 is a perspective view of an alternate embodiment of the license plate fishing poles holder.
 FIG. 18 is a front view thereof.
 FIG. 19 is a rear view thereof.
 FIG. 20 is a side view thereof.
 FIG. 21 is a side view thereof.
 FIG. 22 is a top view thereof.
 FIG. 23 is a bottom view thereof.
 FIG. 24 is a perspective view thereof showing surrounding environment thereof.
 FIG. 25 is a perspective view of an alternate embodiment of the license plate fishing poles holder.
 FIG. 26 is a front view thereof.
 FIG. 27 is a rear view thereof.
 FIG. 28 is a side view thereof.
 FIG. 29 is a side view thereof.
 FIG. 30 is a top view thereof.
 FIG. 31 is a bottom view thereof; and,
 FIG. 32 is a perspective view thereof showing surrounding environment thereof.

The broken lines in the drawings illustrate portions of the front license bracket which form no part of the claimed design.

1 Claim, 16 Drawing Sheets



(56)

References Cited

U.S. PATENT DOCUMENTS

D750,735 S * 3/2016 Nakamichi D22/147
D776,235 S * 1/2017 Bush, II D22/147
D818,918 S * 5/2018 Spencer D12/193

* cited by examiner

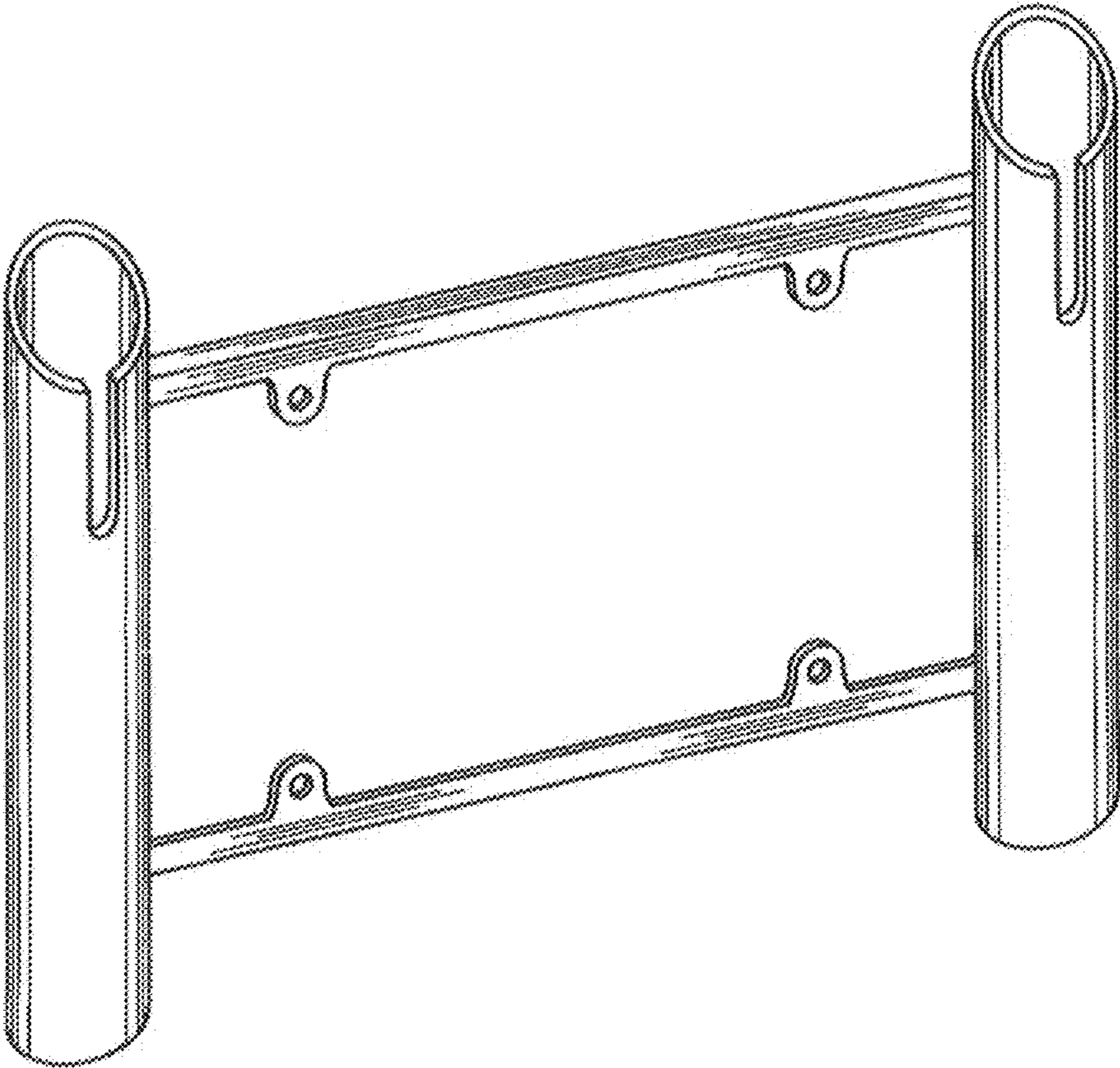


FIG. 1

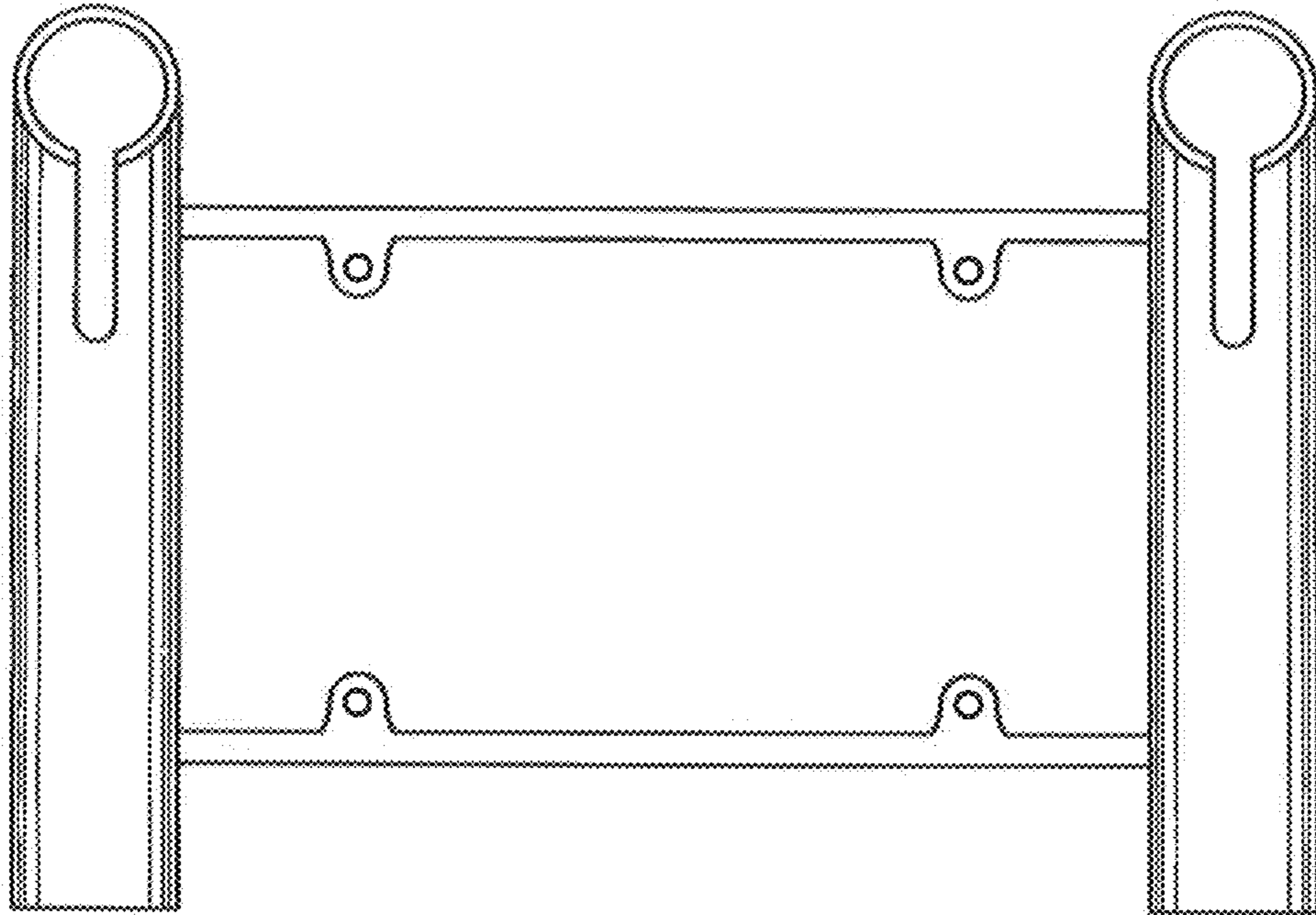


FIG. 2

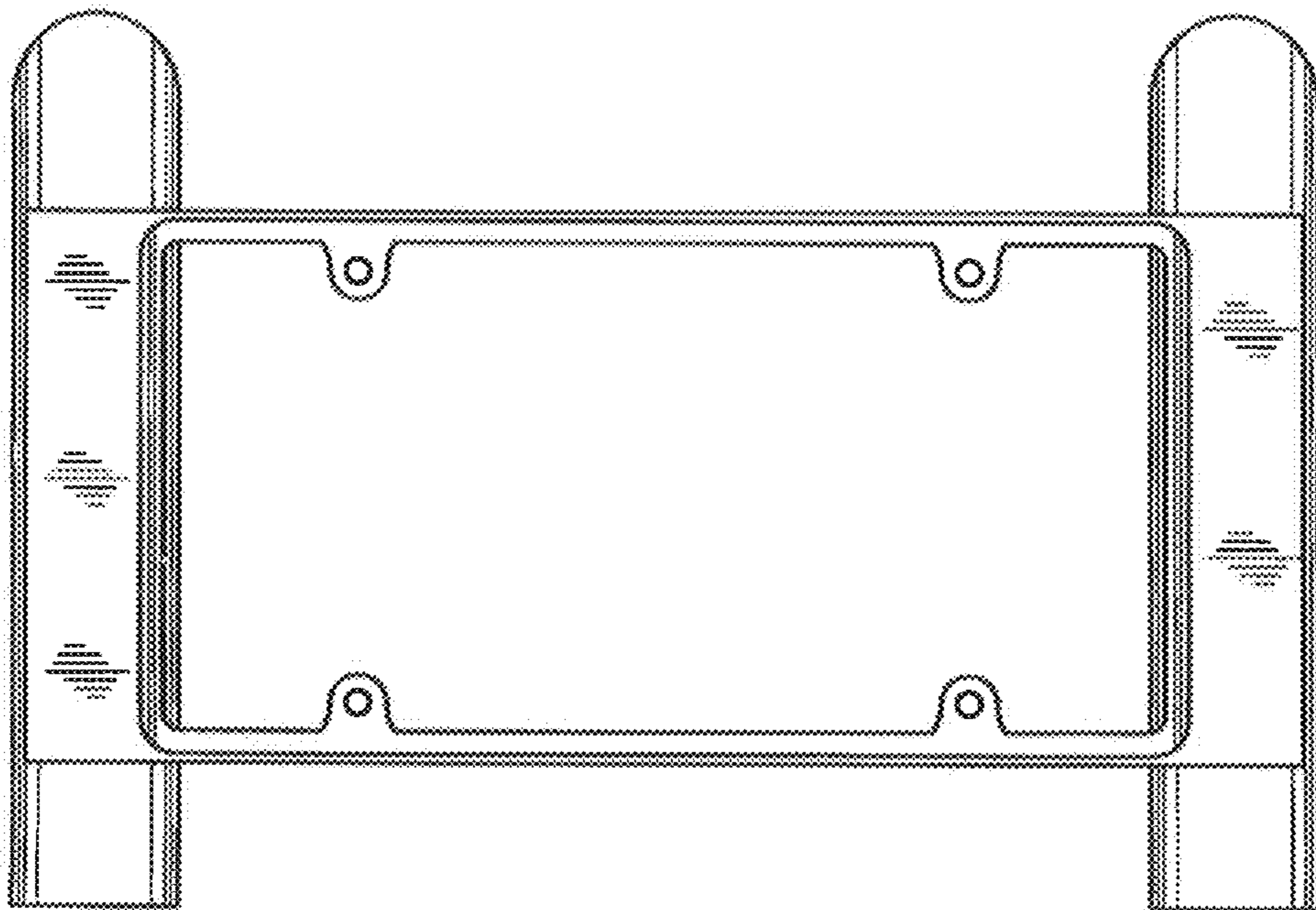


FIG. 3

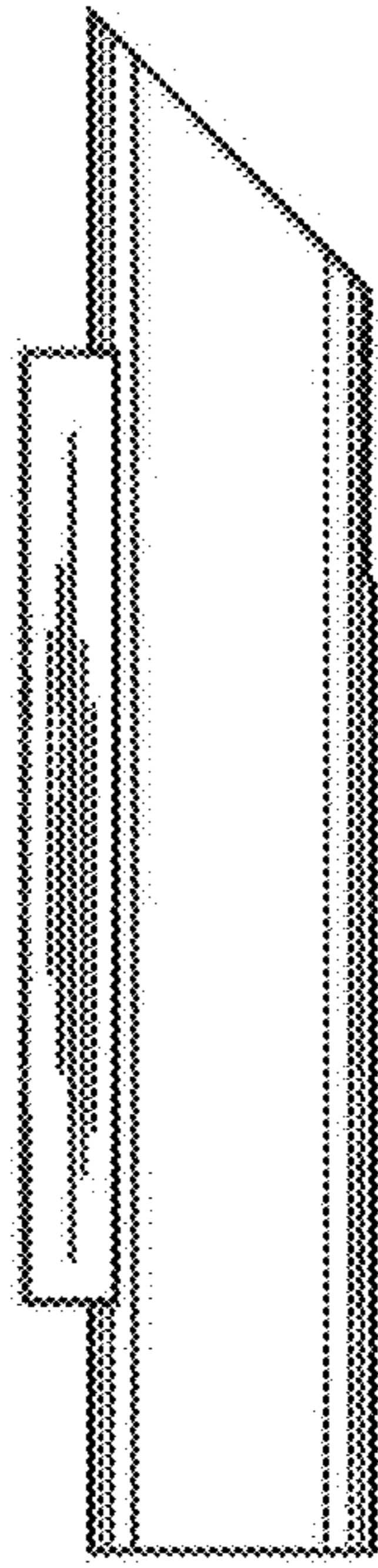


FIG. 4

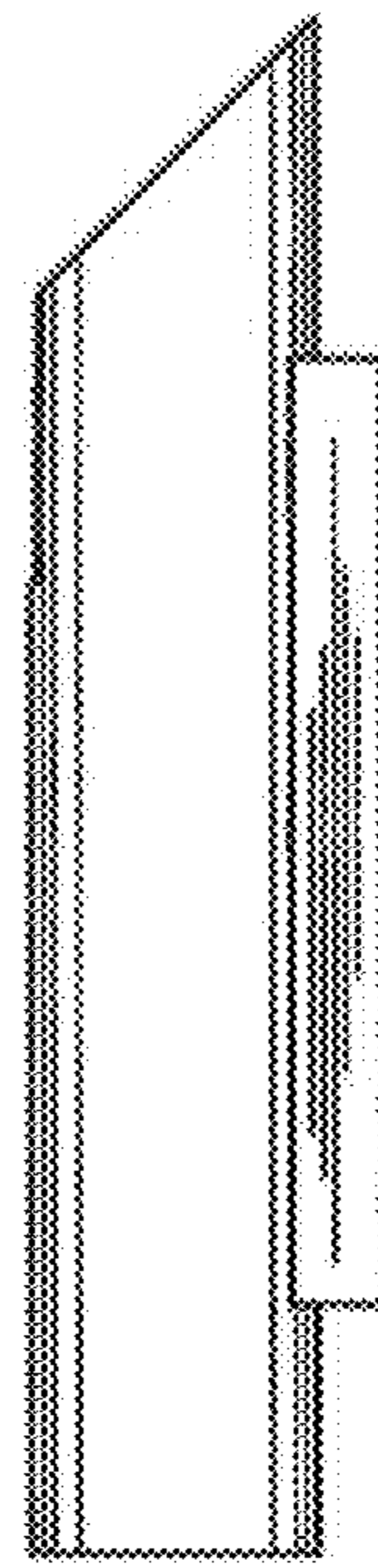


FIG. 5

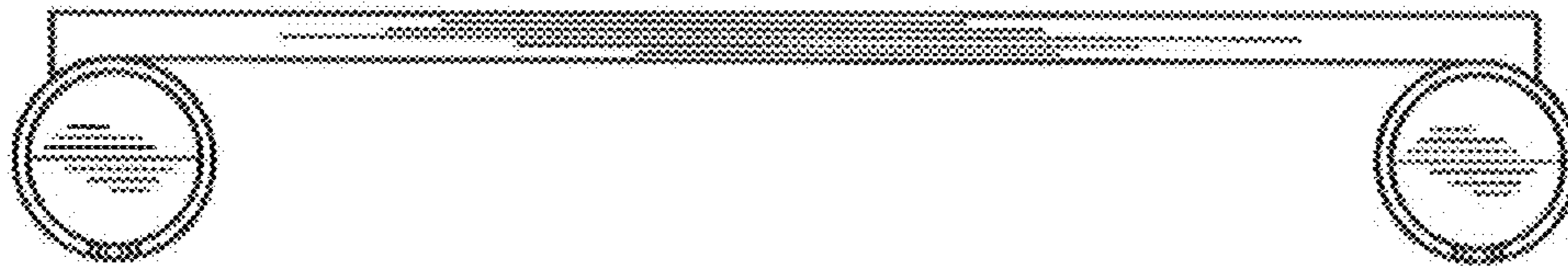


FIG. 6



FIG. 7

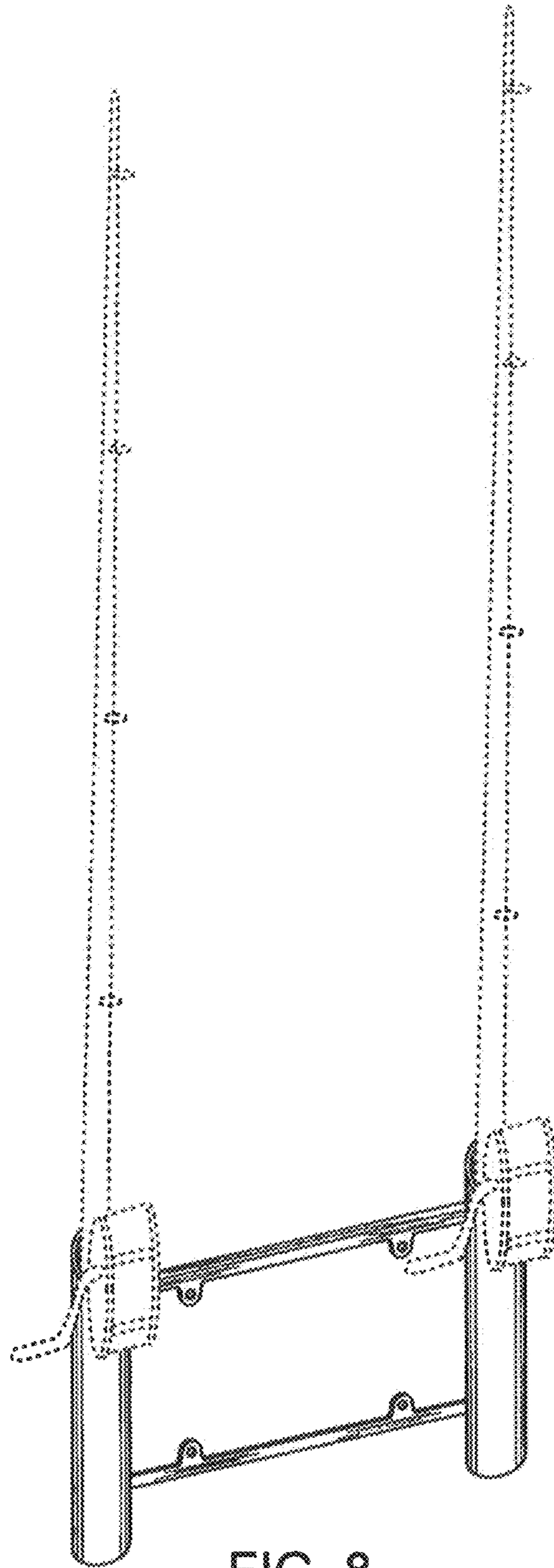


FIG. 8

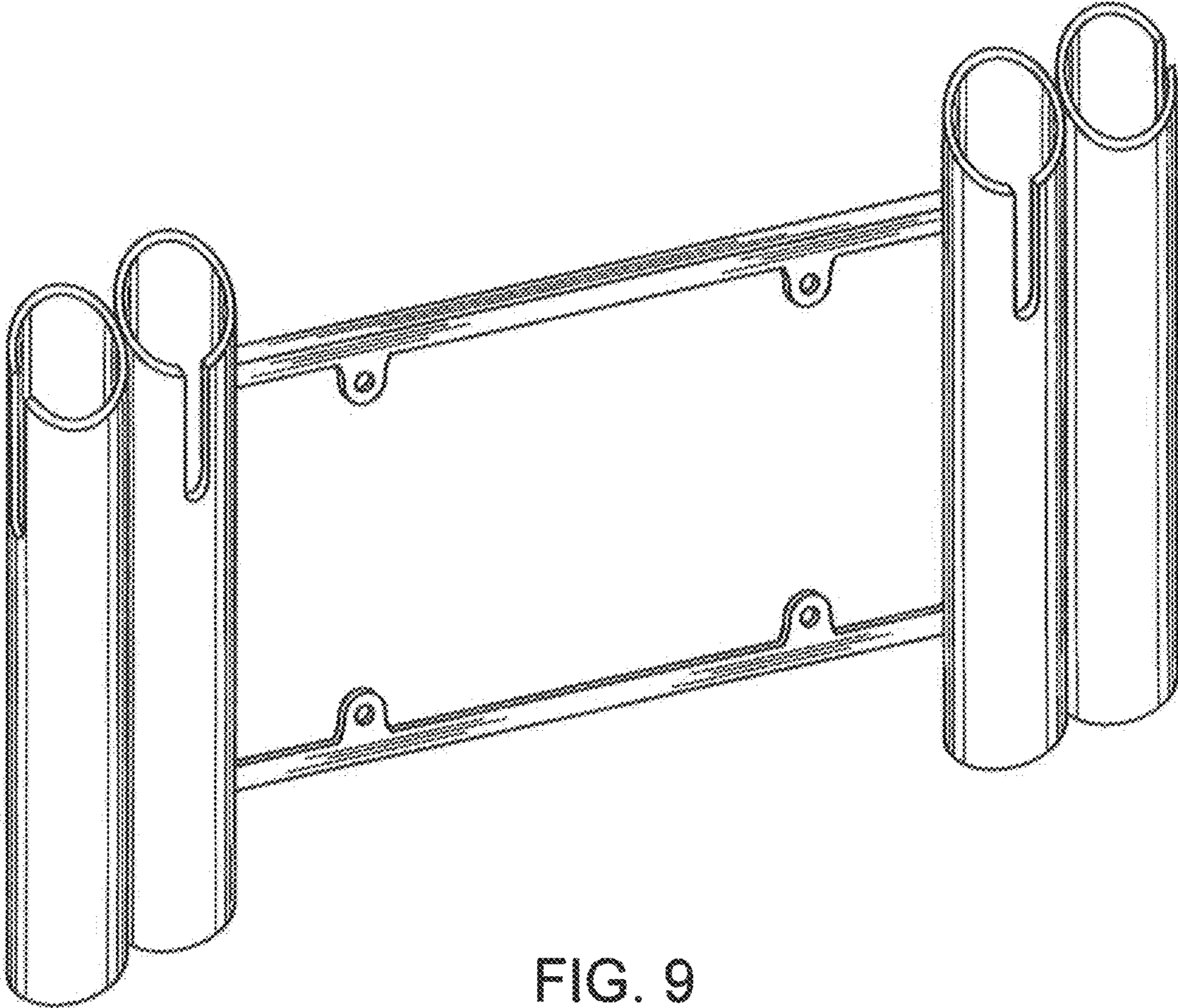


FIG. 9

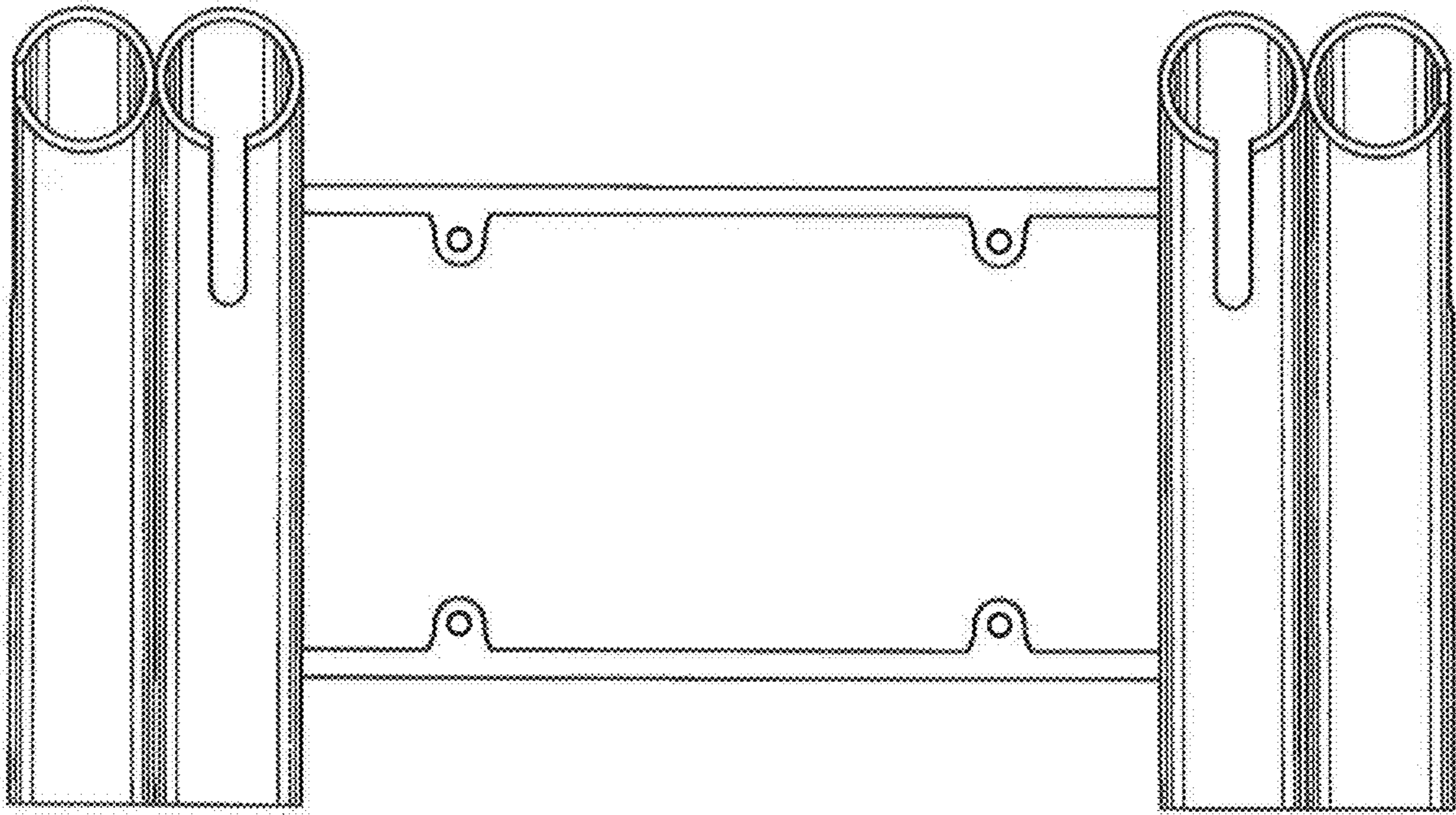


FIG. 10

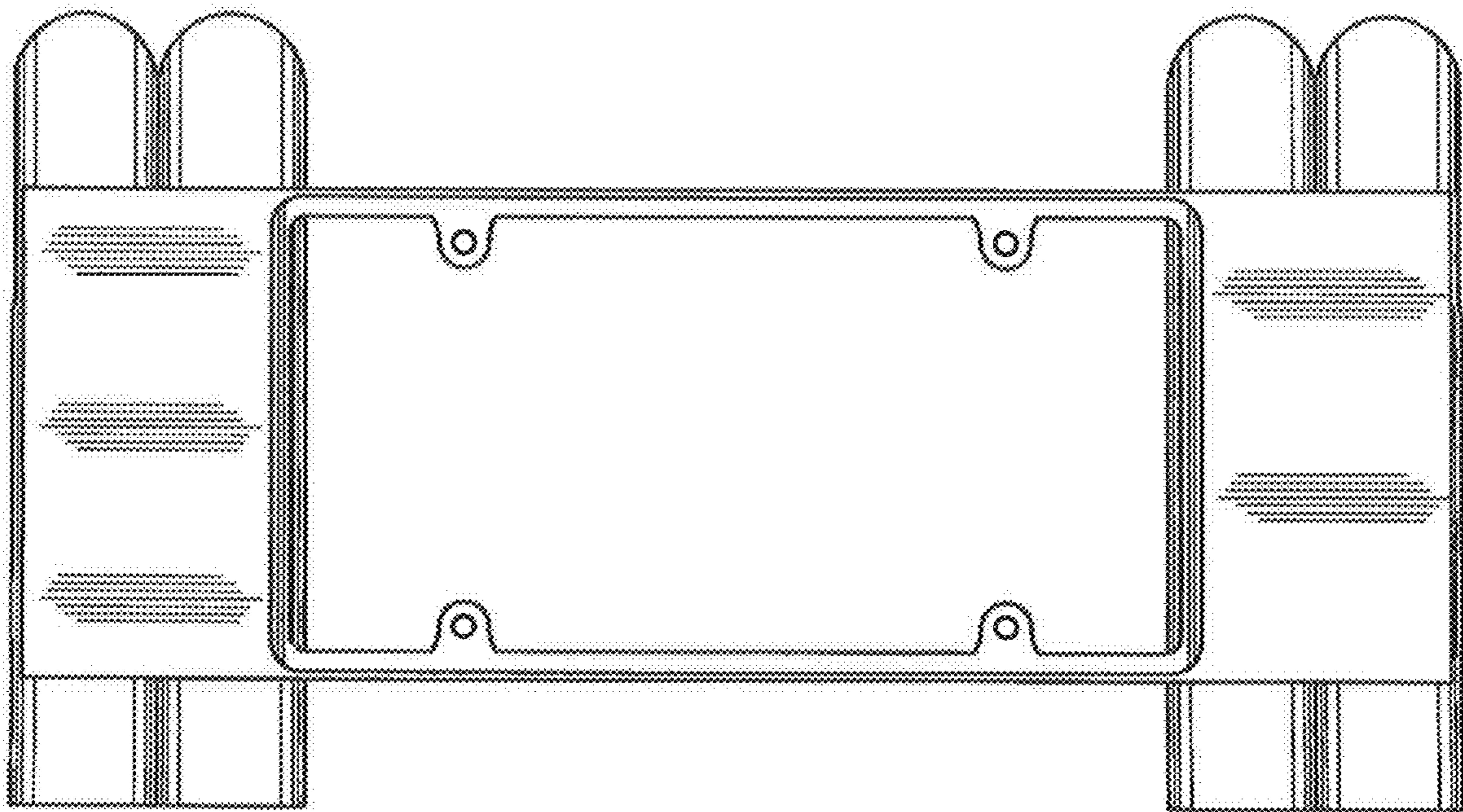


FIG. 11

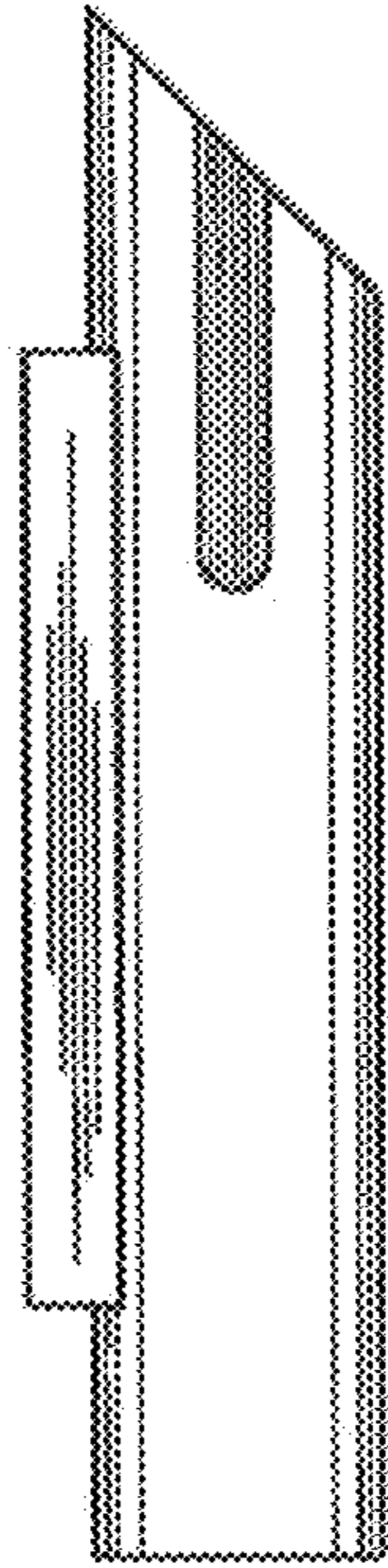


FIG. 12

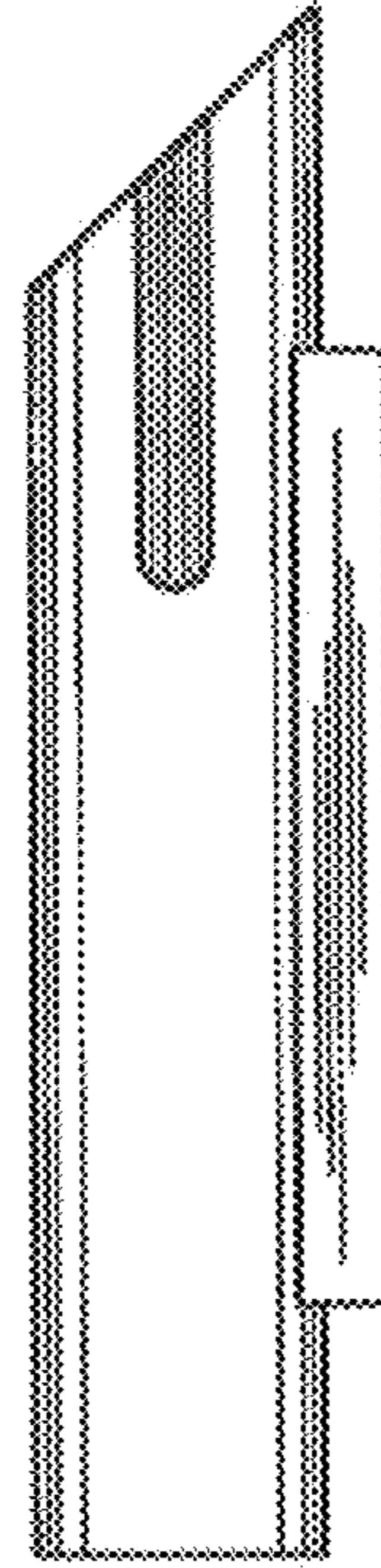


FIG. 13

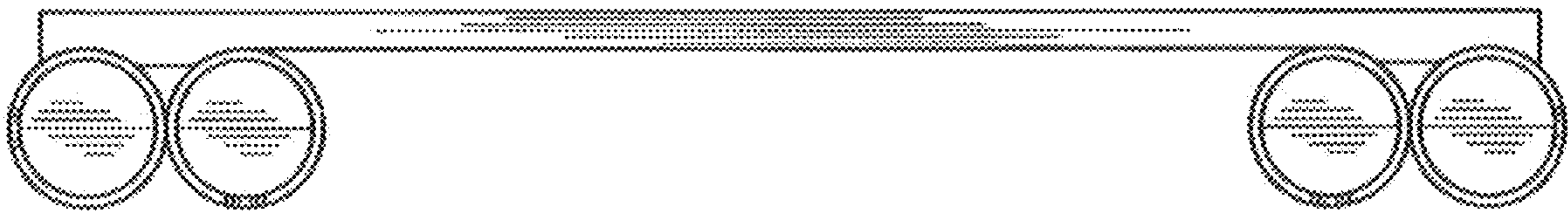


FIG. 14



FIG. 15

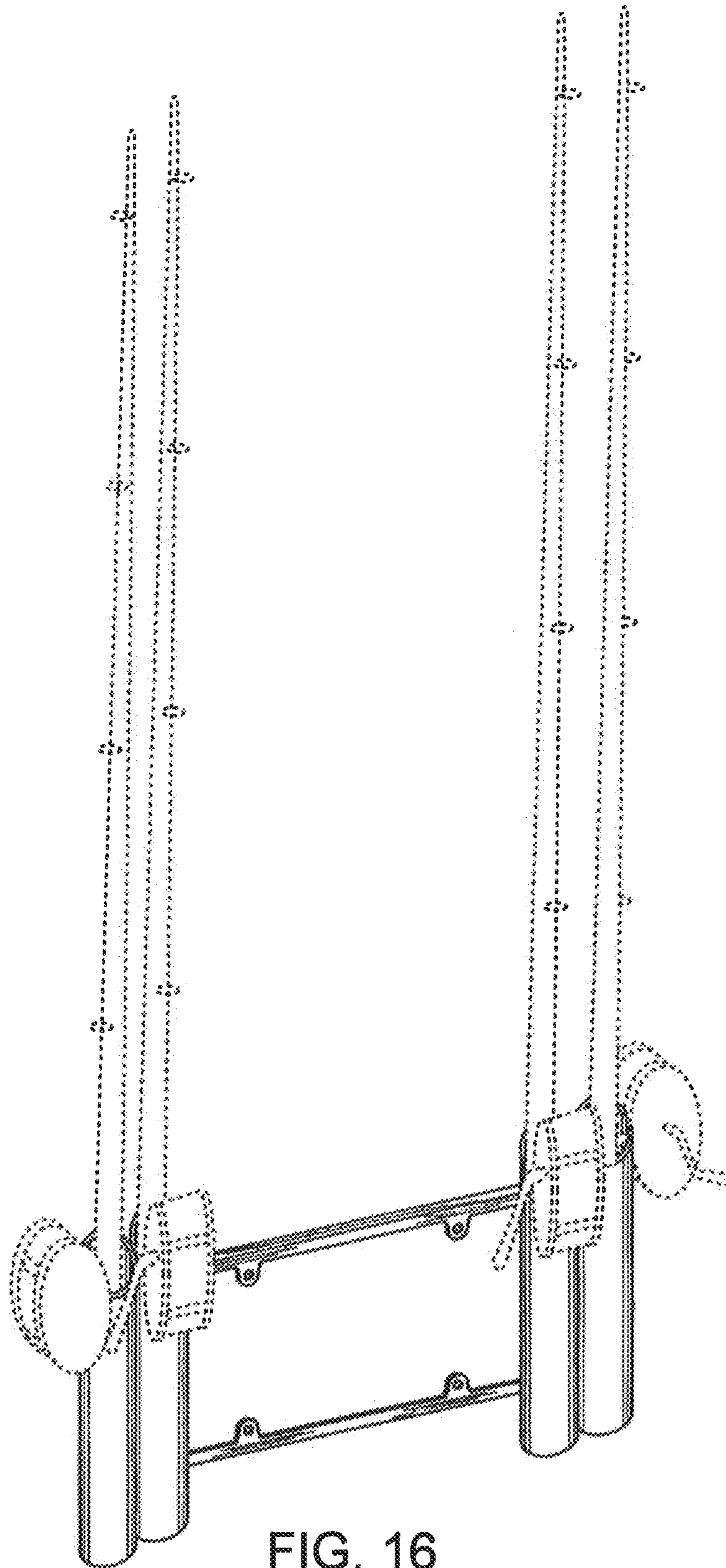


FIG. 16

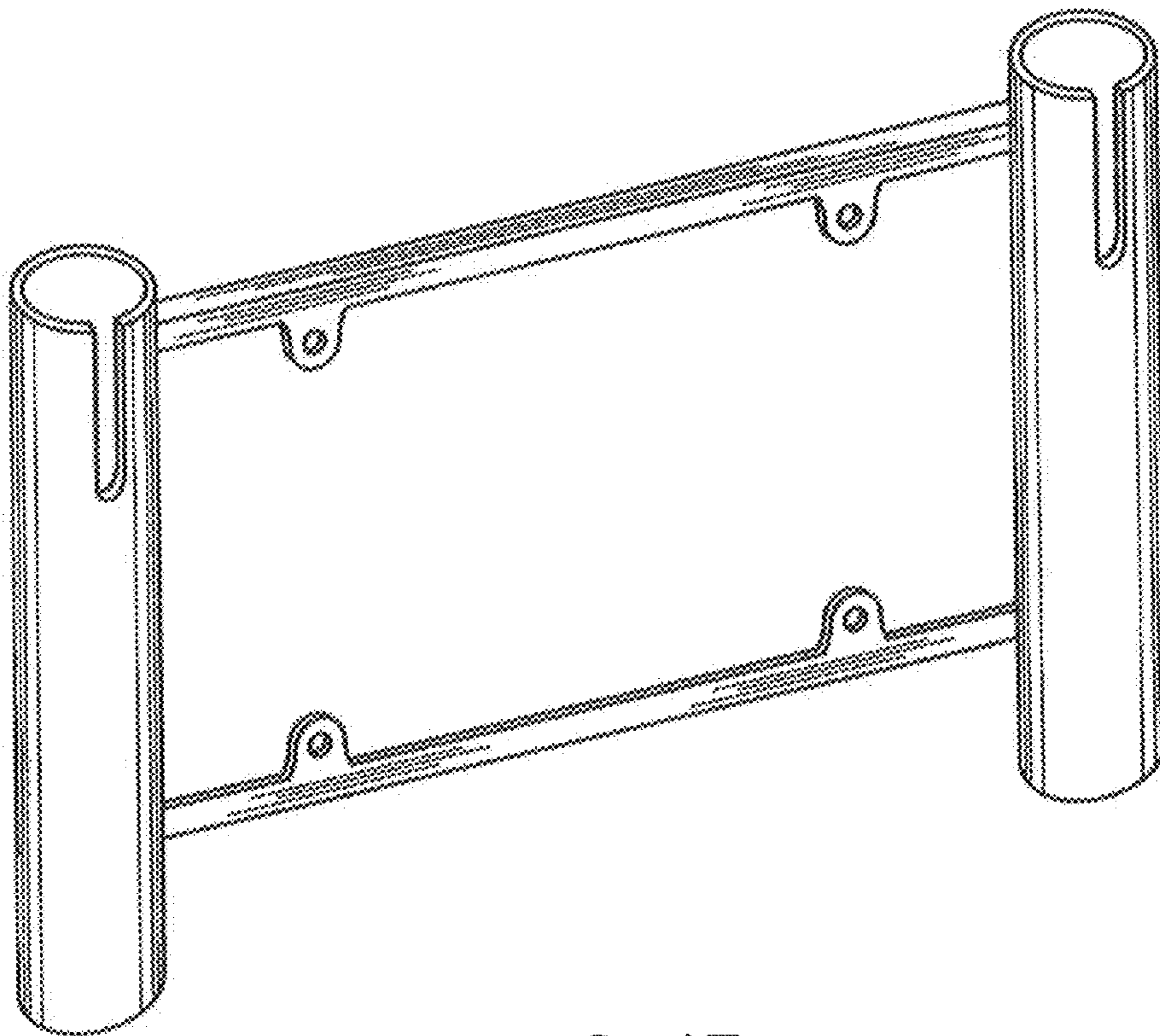


FIG. 17

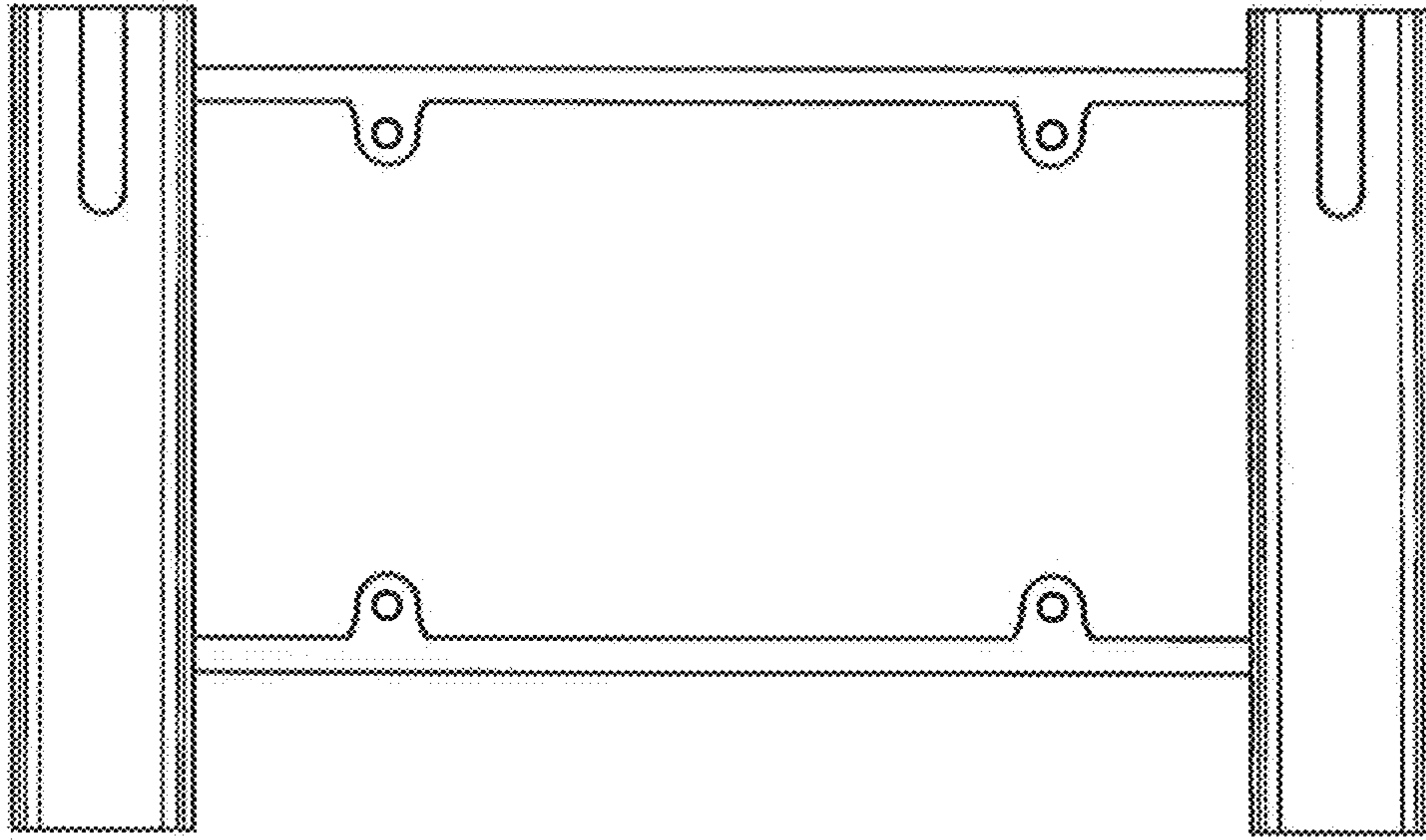


FIG. 18

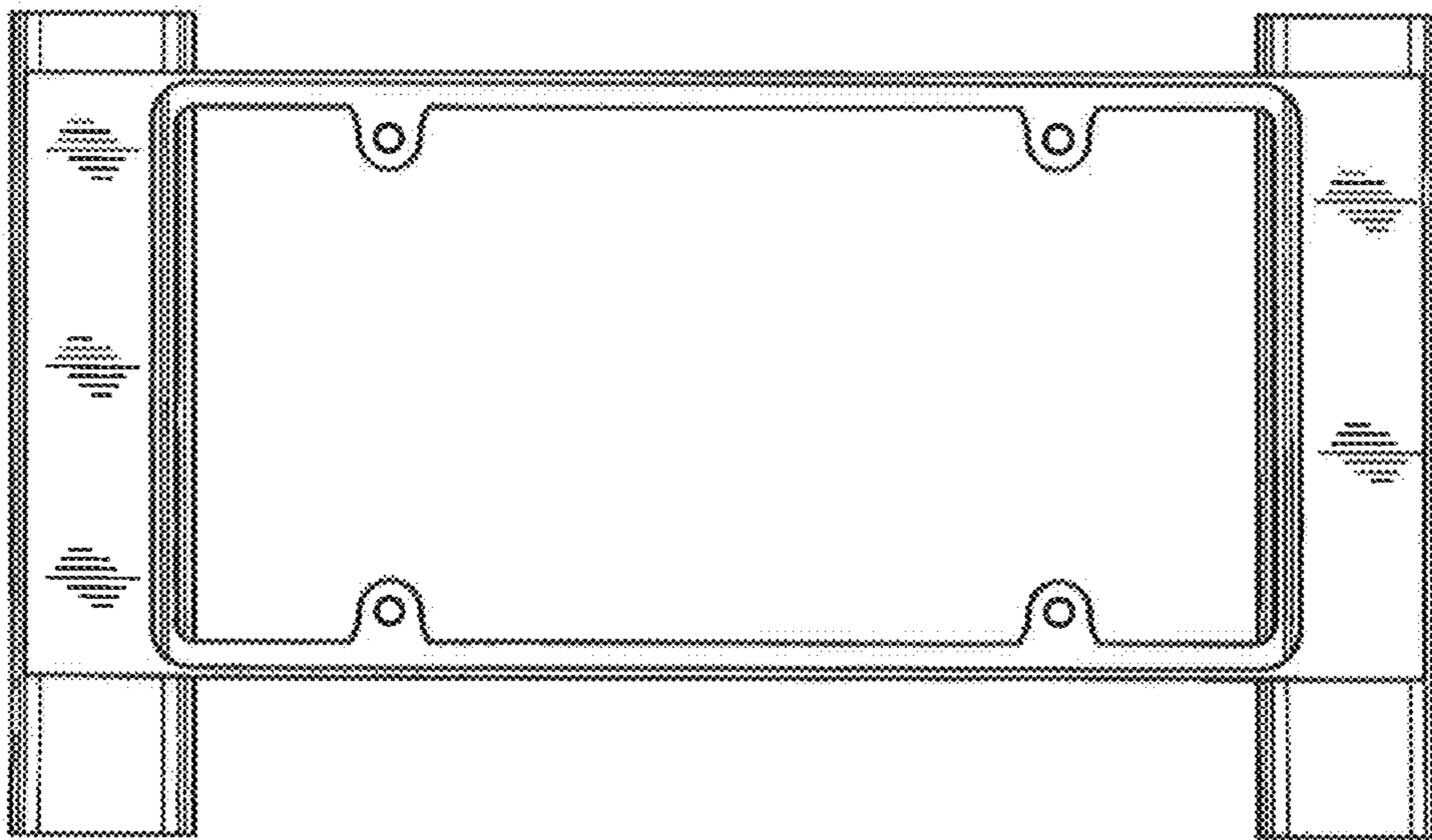


FIG. 19

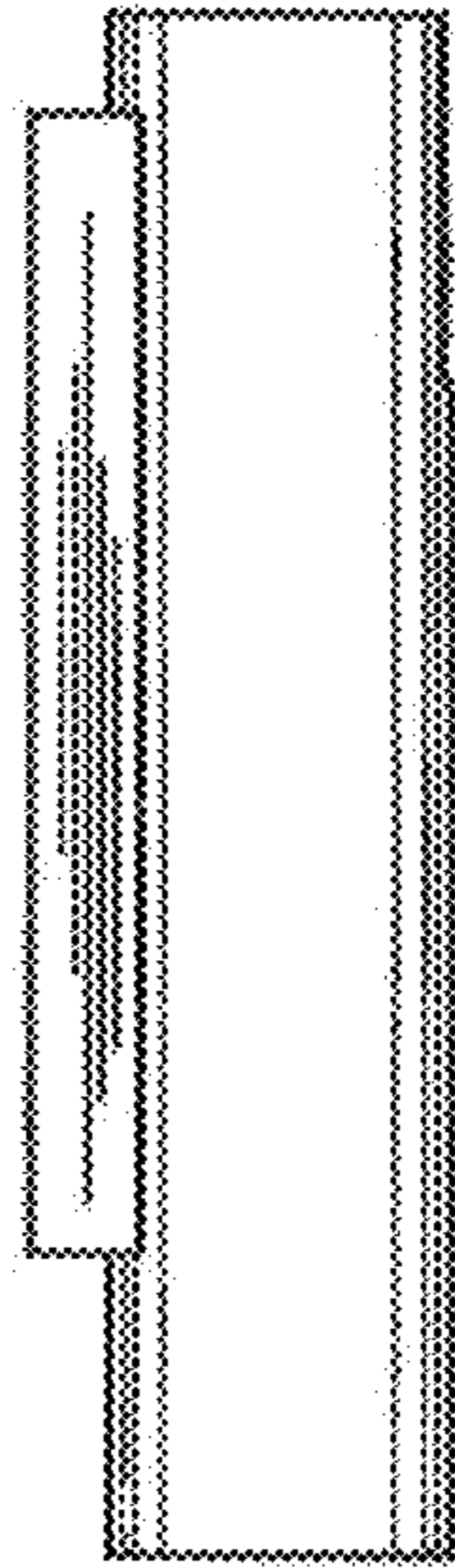


FIG. 20

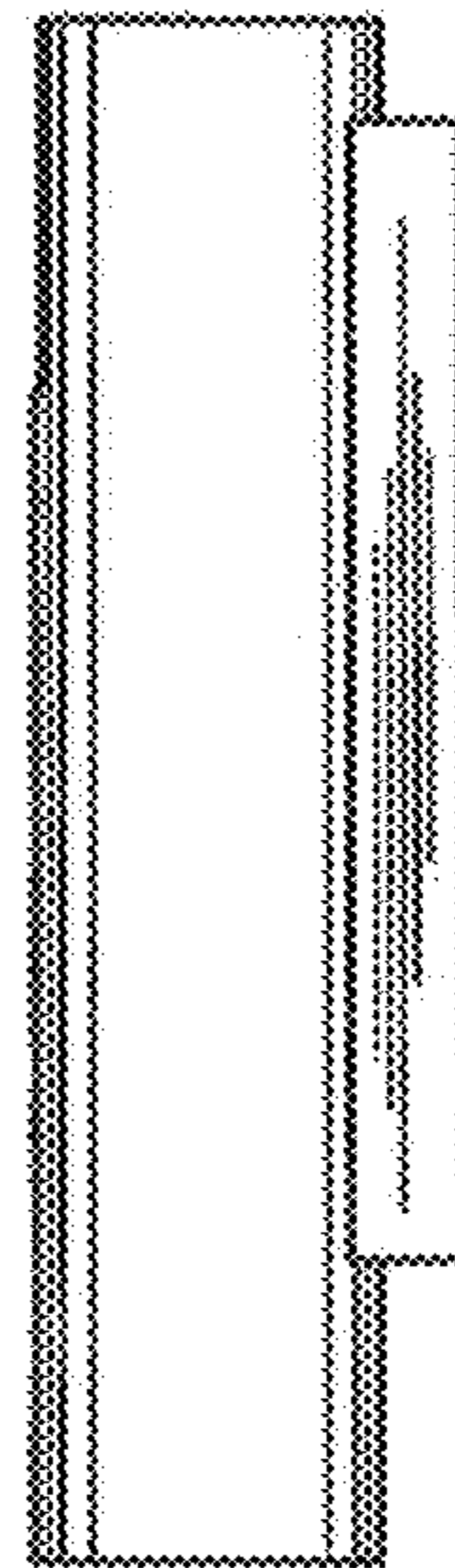


FIG. 21

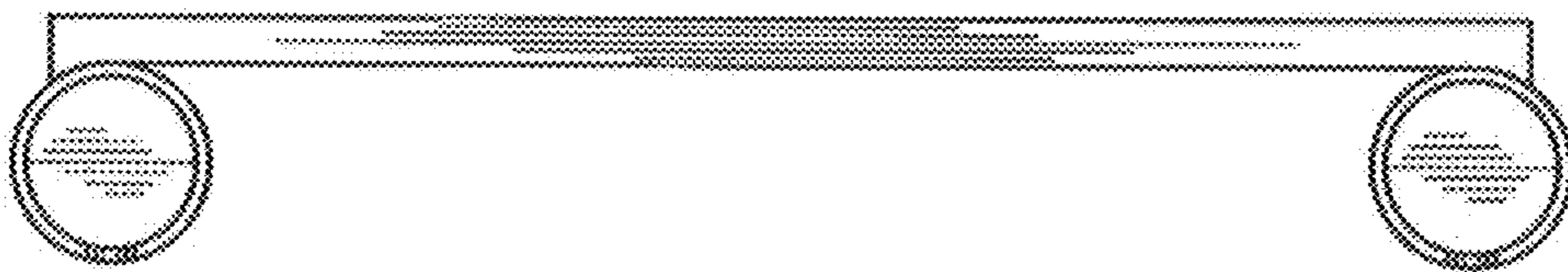


FIG. 22

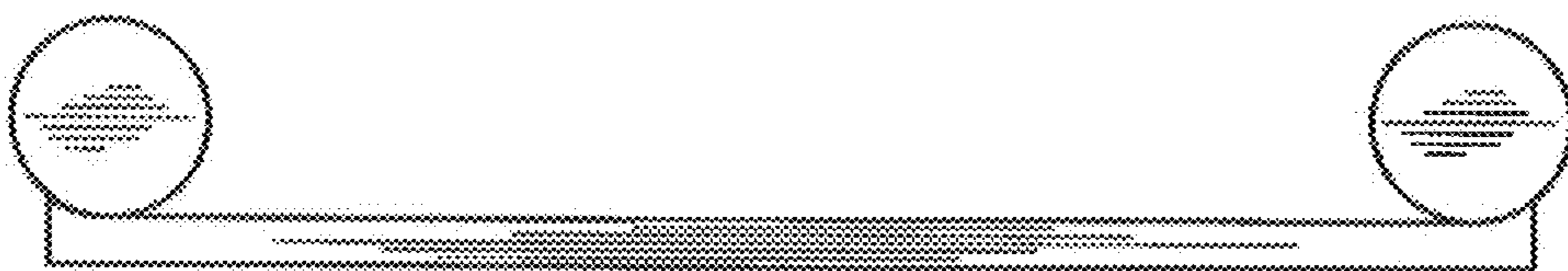


FIG. 23

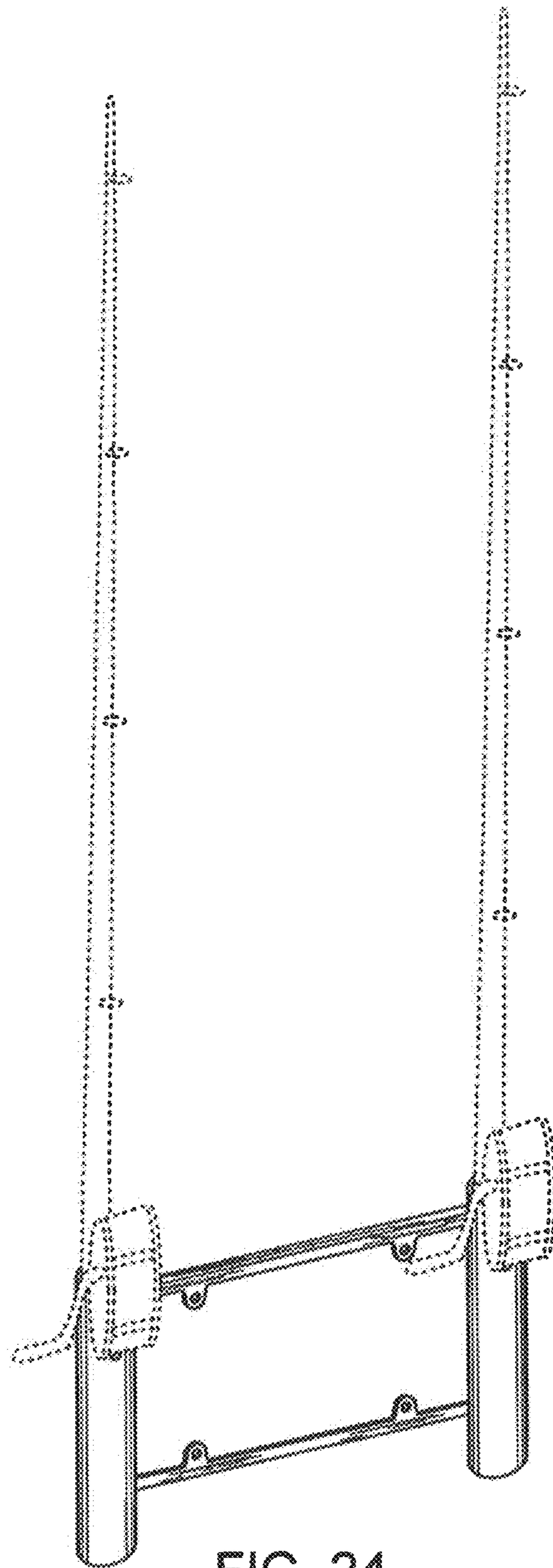


FIG. 24

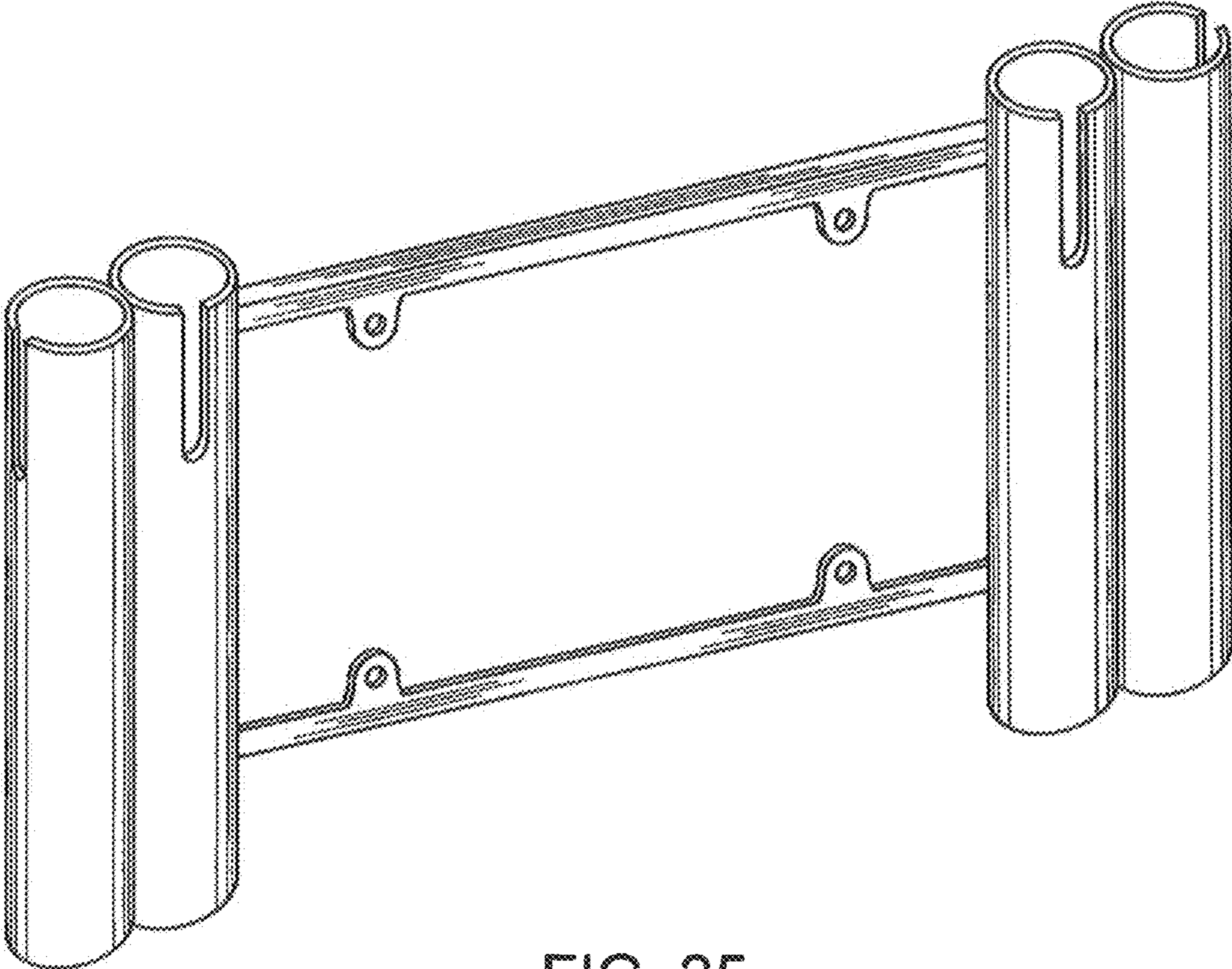


FIG. 25

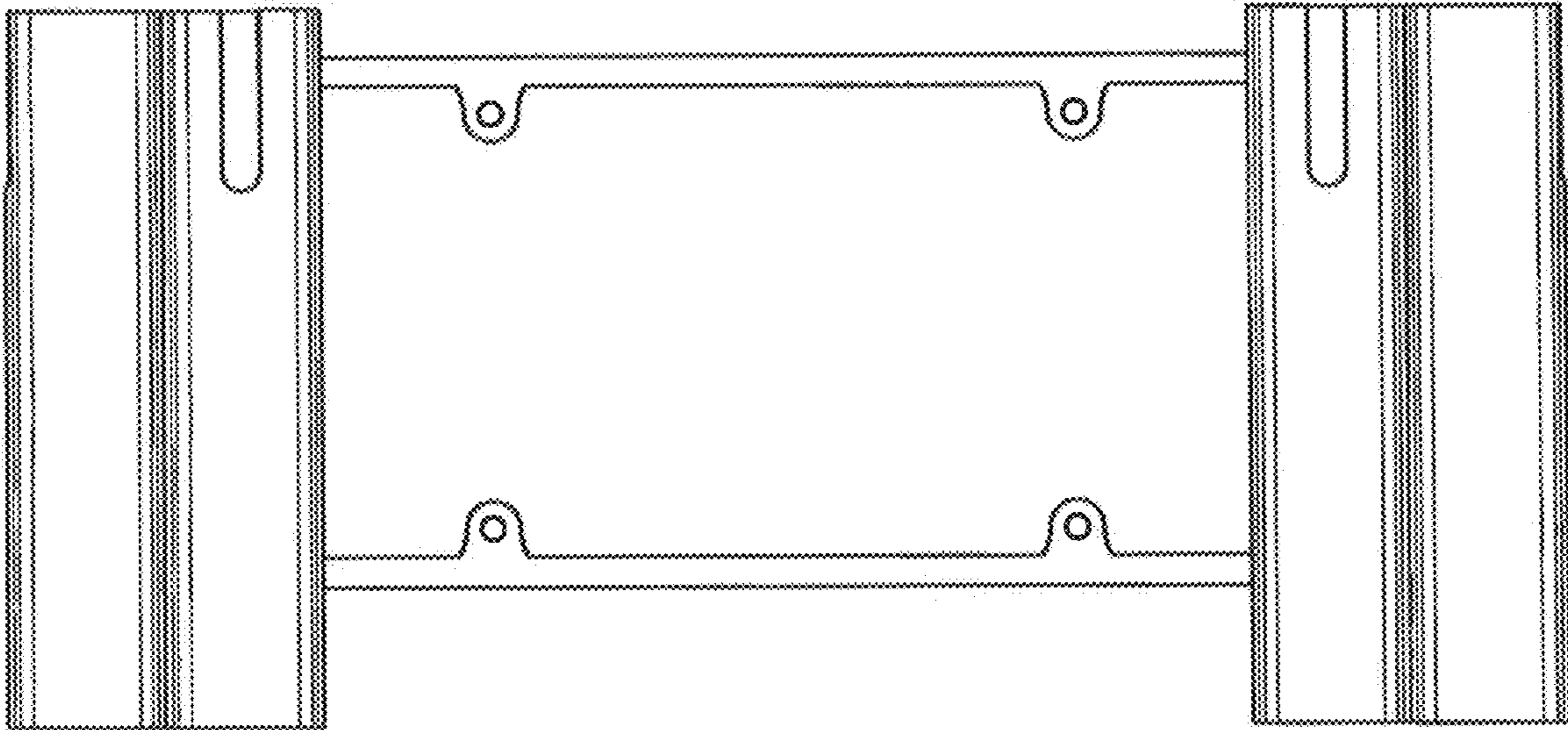


FIG. 26

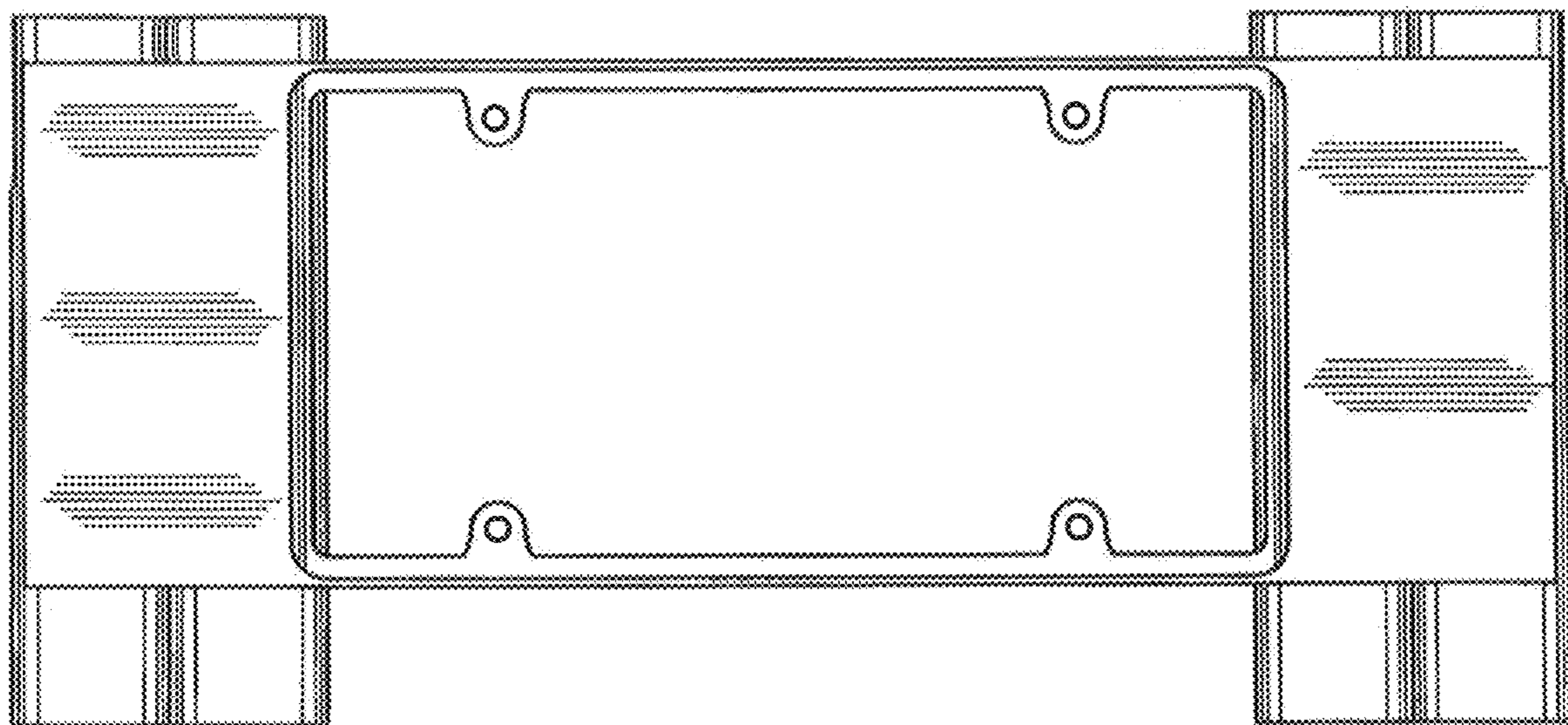


FIG. 27

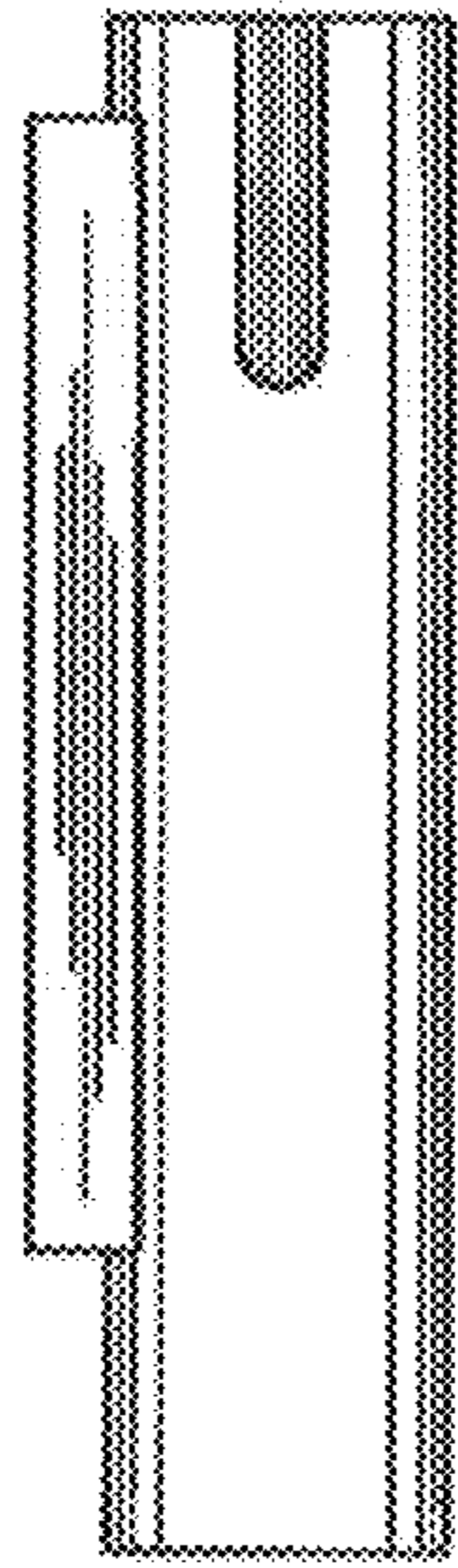


FIG. 28

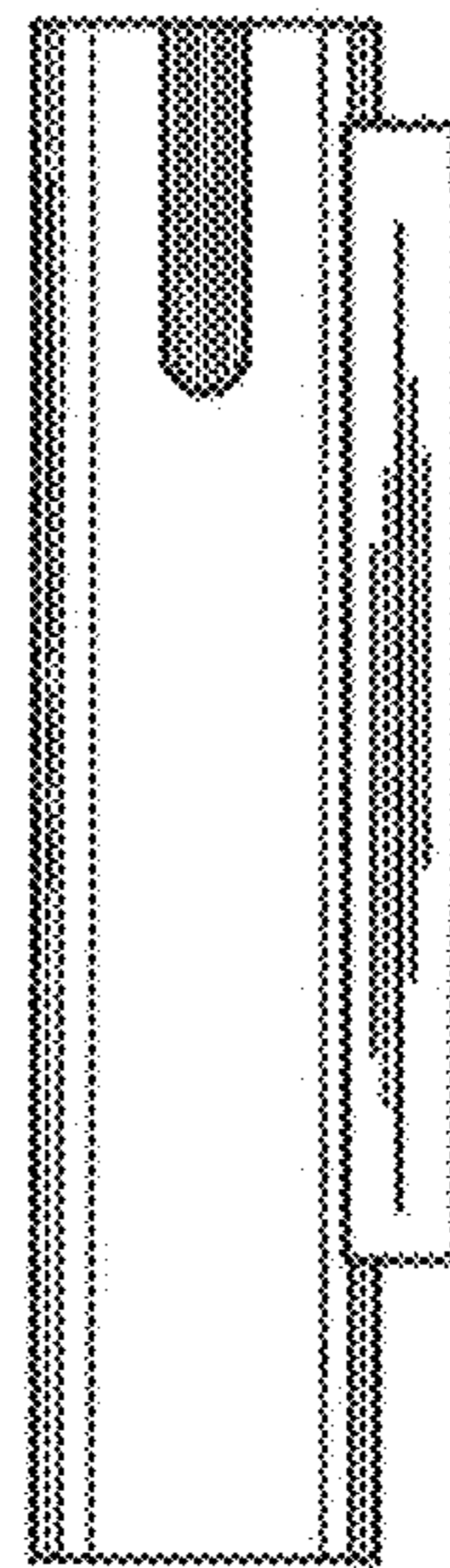


FIG. 29

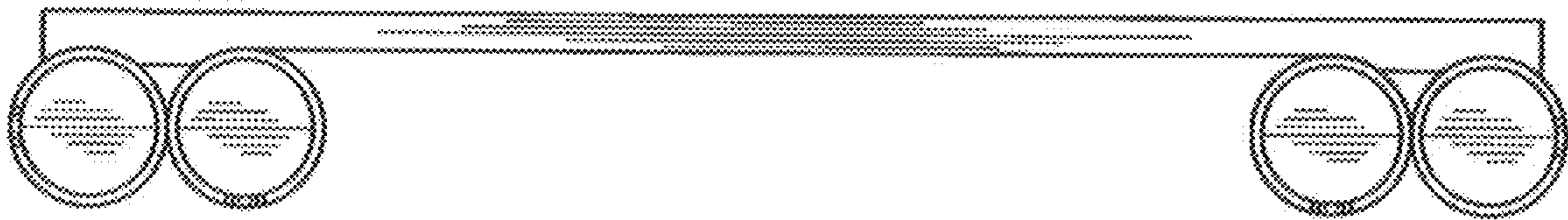


FIG. 30



FIG. 31

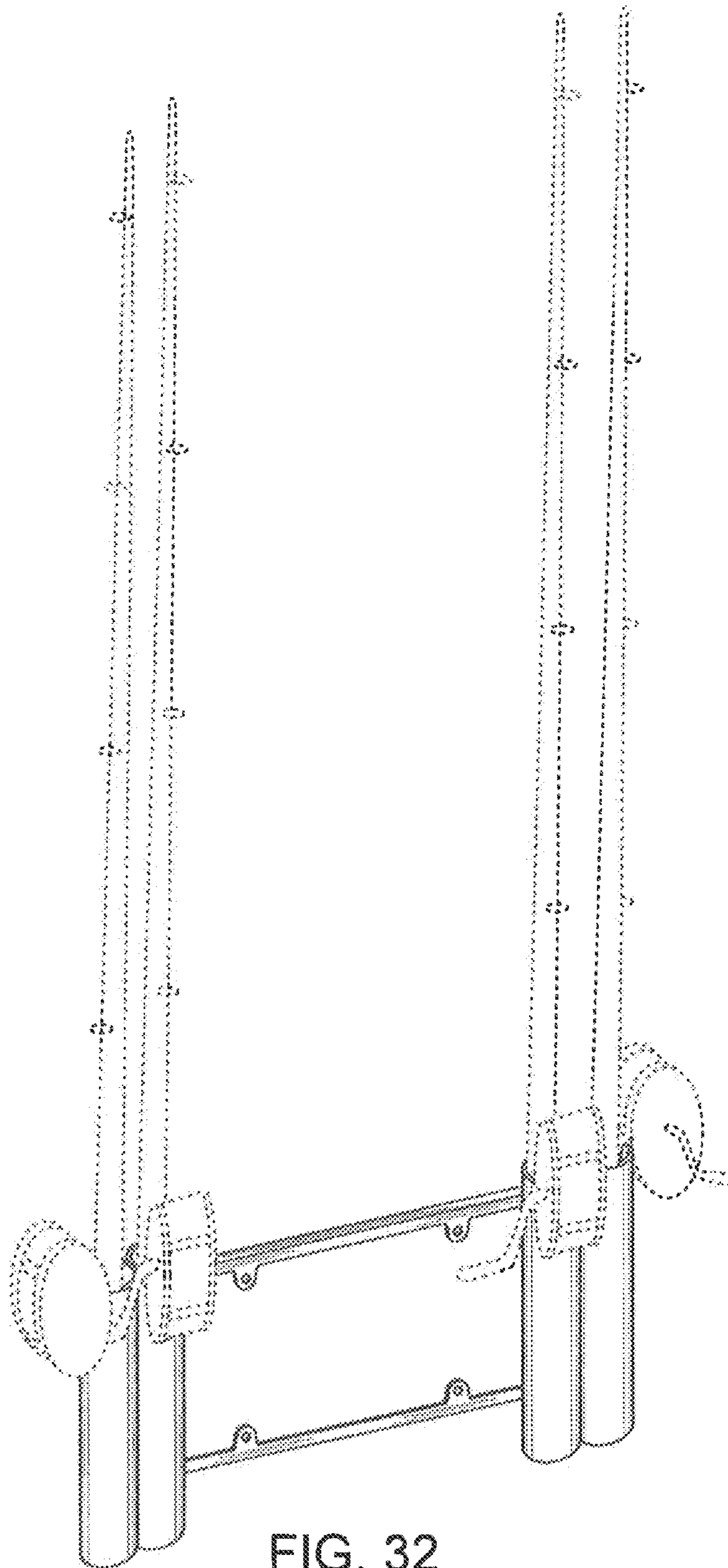


FIG. 32