



US00D878261S

(12) **United States Design Patent** (10) **Patent No.:** **US D878,261 S**  
**Woodhouse et al.** (45) **Date of Patent:** **\*\* Mar. 17, 2020**

- (54) **VEHICLE FENDER**
- (71) Applicant: **Ford Global Technologies, LLC**,  
Dearborn, MI (US)
- (72) Inventors: **David Woodhouse**, Troy, MI (US);  
**Kemal Curic**, Irvine, CA (US); **Xitij Mistry**, Ann Arbor, MI (US);  
**Gurminder Bhandal**, Ferndale, MI (US); **John C. Caswell**, Grosse Pointe, MI (US)
- (73) Assignee: **Ford Global Technologies, LLC**,  
Dearborn, MI (US)
- (\*\*) Term: **15 Years**
- (21) Appl. No.: **29/641,681**
- (22) Filed: **Apr. 24, 2018**
- (51) **LOC (12) Cl.** ..... **12-16**
- (52) **U.S. Cl.**  
USPC ..... **D12/184**
- (58) **Field of Classification Search**  
USPC ..... D12/181, 184, 186, 196; D15/28  
CPC ..... B62D 25/16; B62D 25/18  
See application file for complete search history.

- (56) **References Cited**  
U.S. PATENT DOCUMENTS
- |           |      |         |           |       |             |
|-----------|------|---------|-----------|-------|-------------|
| 9,278,716 | B1 * | 3/2016  | Joseph    | ..... | B62D 25/18  |
| D756,870  | S *  | 5/2016  | Tsutamori | ..... | D12/184     |
| D758,935  | S *  | 6/2016  | Platto    | ..... | D12/184     |
| 9,403,557 | B1 * | 8/2016  | Sharma    | ..... | C21D 1/06   |
| 9,487,238 | B2 * | 11/2016 | Iwano     | ..... | B62D 25/025 |
| D775,031  | S *  | 12/2016 | Frascella | ..... | D12/184     |
| D787,395  | S *  | 5/2017  | Curic     | ..... | D12/181     |
| 9,669,876 | B2 * | 6/2017  | Iwano     | ..... | B62D 25/04  |

- |            |      |         |              |       |             |
|------------|------|---------|--------------|-------|-------------|
| 9,738,322  | B2 * | 8/2017  | Matthiessen  | ..... | B62D 25/02  |
| D803,119   | S *  | 11/2017 | Beermann     | ..... | D12/184     |
| D803,741   | S *  | 11/2017 | Tsubaki      | ..... | D12/184     |
| D805,013   | S *  | 12/2017 | Whitla       | ..... | D12/181     |
| D806,622   | S *  | 1/2018  | Granlund     | ..... | D12/184     |
| D807,261   | S *  | 1/2018  | Zavatski     | ..... | D12/184     |
| 9,890,966  | B2 * | 2/2018  | Mueller      | ..... | B62D 25/16  |
| D817,829   | S *  | 5/2018  | Behmer       | ..... | D12/184     |
| D820,751   | S *  | 6/2018  | Luk          | ..... | D12/184     |
| D823,741   | S *  | 7/2018  | Kim          | ..... | D12/169     |
| 10,023,241 | B2 * | 7/2018  | Umemoto      | ..... | B62D 25/161 |
| 10,035,543 | B2 * | 7/2018  | Sato         | ..... | B60J 5/0444 |
| D826,811   | S *  | 8/2018  | Lim          | ..... | D12/184     |
| D827,527   | S *  | 9/2018  | Loeb         | ..... | D12/184     |
| D827,528   | S *  | 9/2018  | Gueler       | ..... | D12/184     |
| D827,529   | S *  | 9/2018  | Al Attar     | ..... | D12/184     |
| D828,254   | S *  | 9/2018  | Simm         | ..... | D12/184     |
| 10,077,085 | B2 * | 9/2018  | Pfaffelhuber | ..... | B62D 27/02  |

\* cited by examiner

*Primary Examiner* — Susan Bennett Hattan  
*Assistant Examiner* — Suzanne E Tisdell

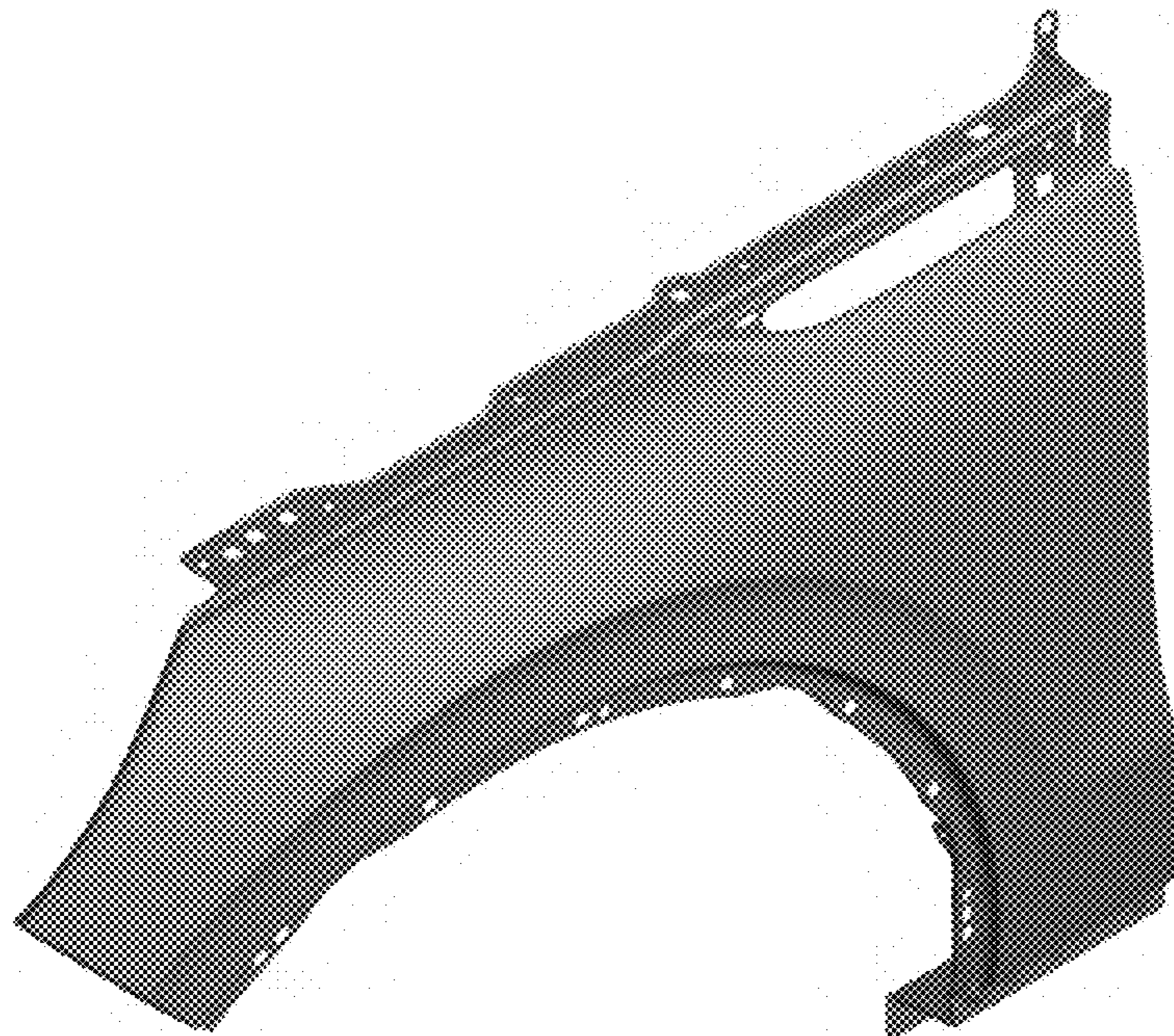
(57) **CLAIM**

The ornamental design for a vehicle fender, as shown and described.

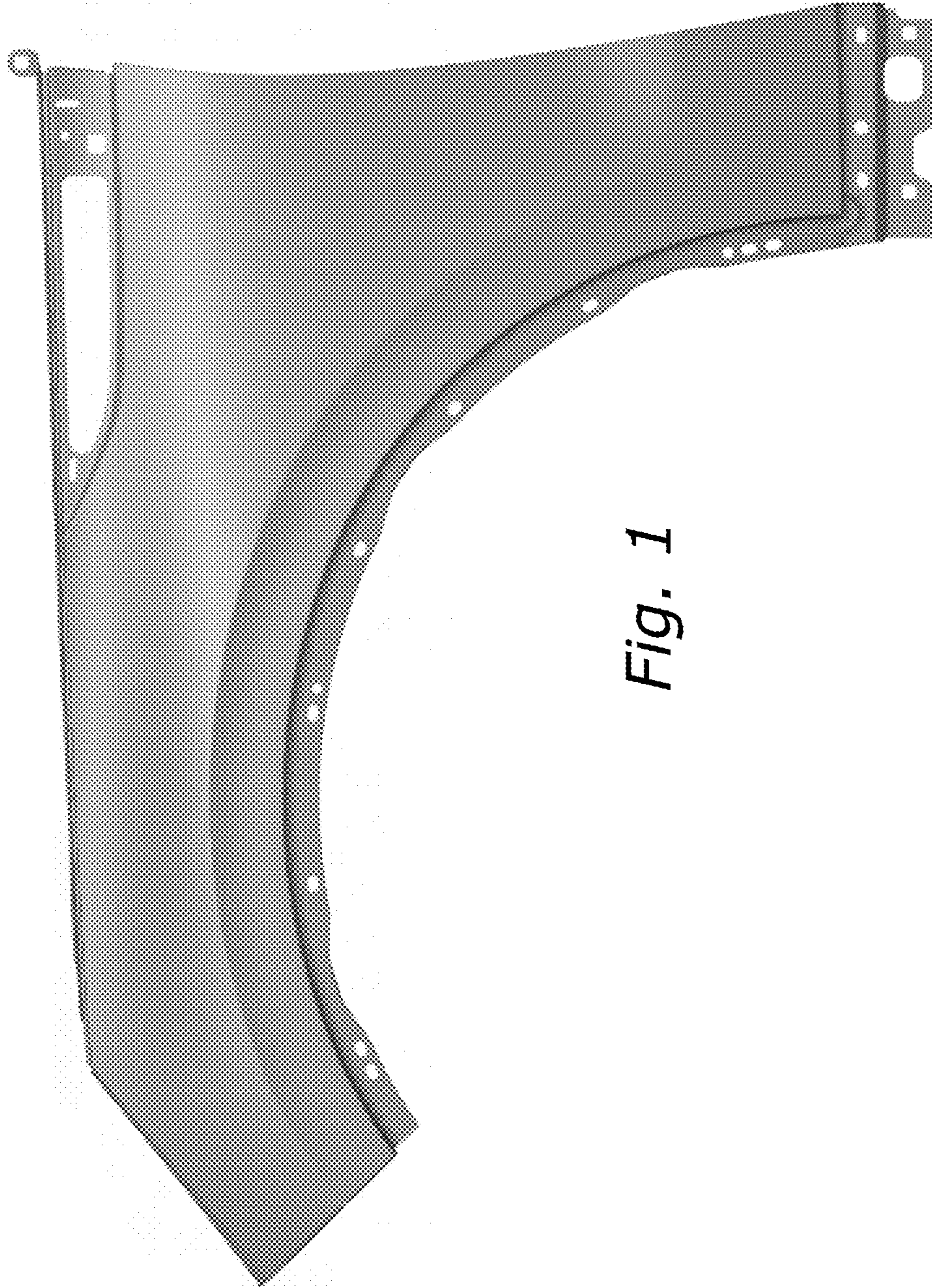
**DESCRIPTION**

FIG. 1 is a front elevational view of a left vehicle fender, showing our new design;  
FIG. 2 is a left side elevational view thereof;  
FIG. 3 is a right side elevational view thereof;  
FIG. 4 is a top plan view thereof;  
FIG. 5 is a bottom plan view thereof.  
FIG. 6 is a top, left and front side perspective view thereof;  
and,  
FIG. 7 is a top, right and front side perspective view thereof.

**1 Claim, 7 Drawing Sheets**

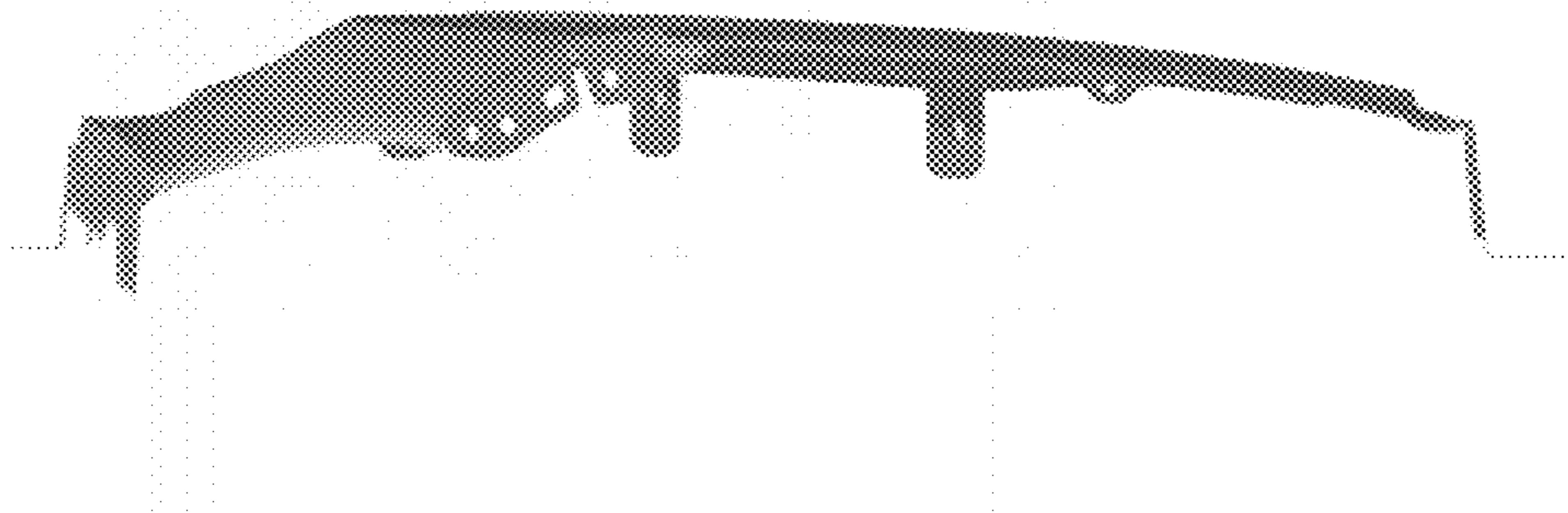






*Fig. 1*

Fig. 2



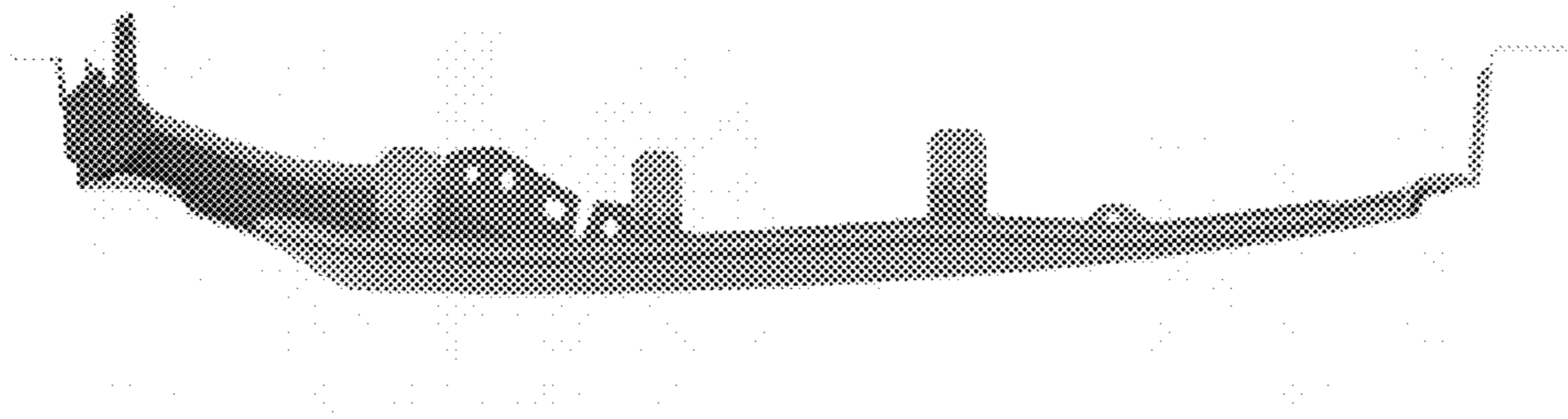


Fig. 3

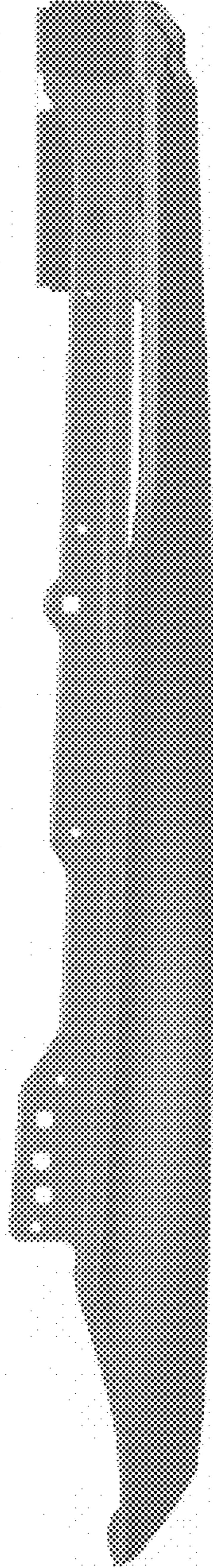
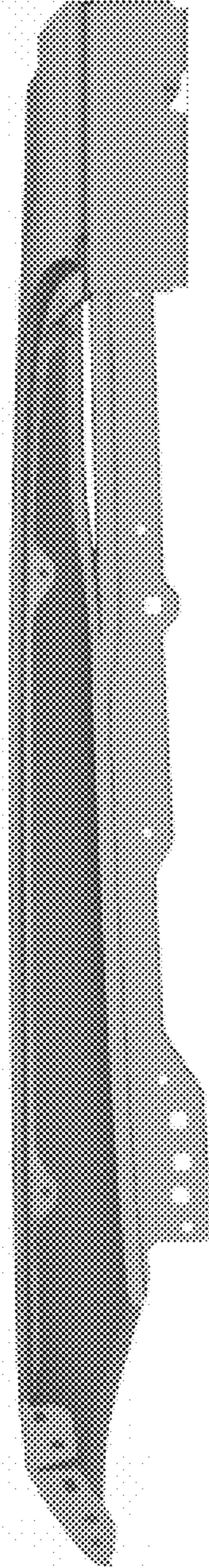


Fig. 4



Fig. 5



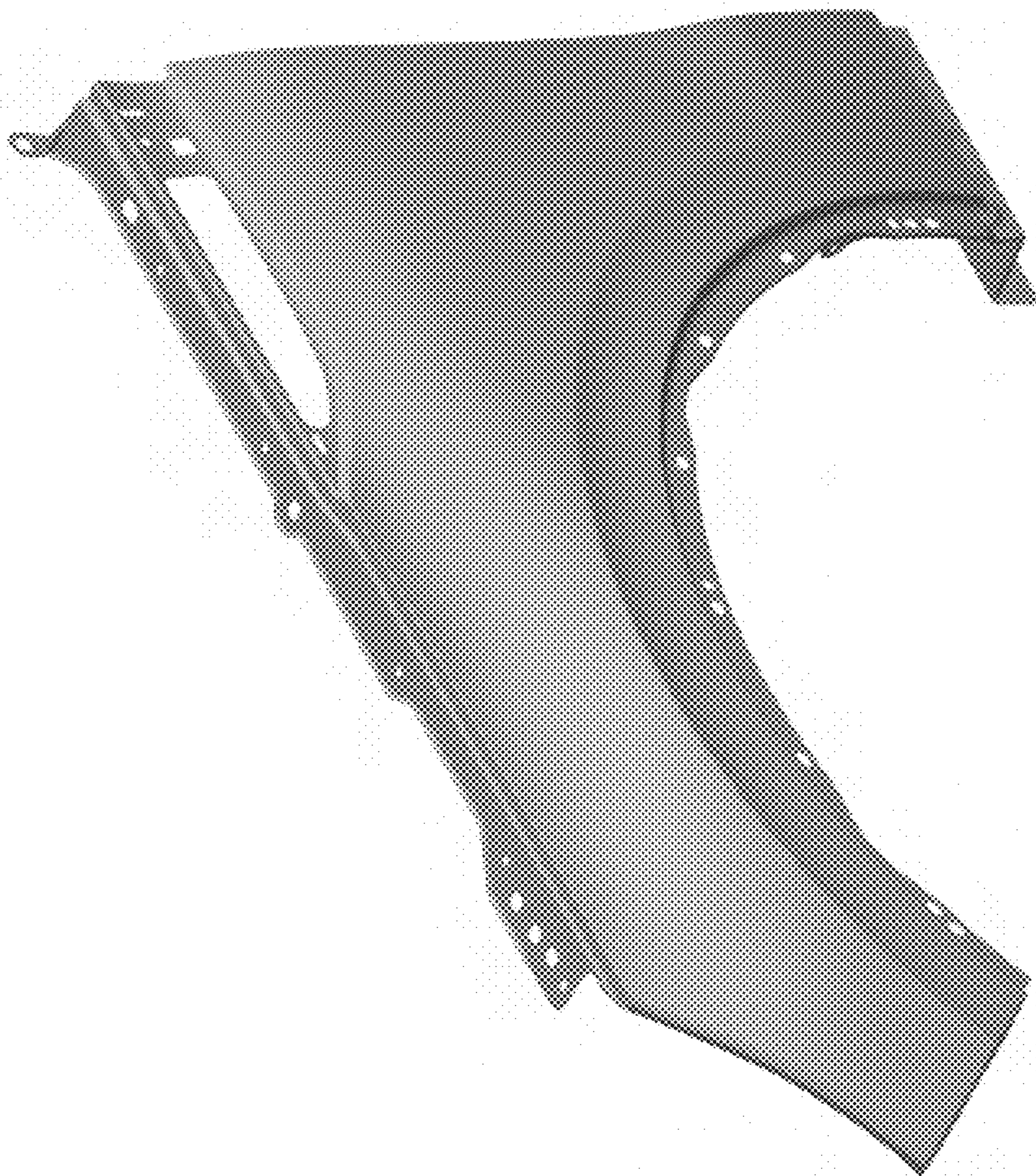


Fig. 6

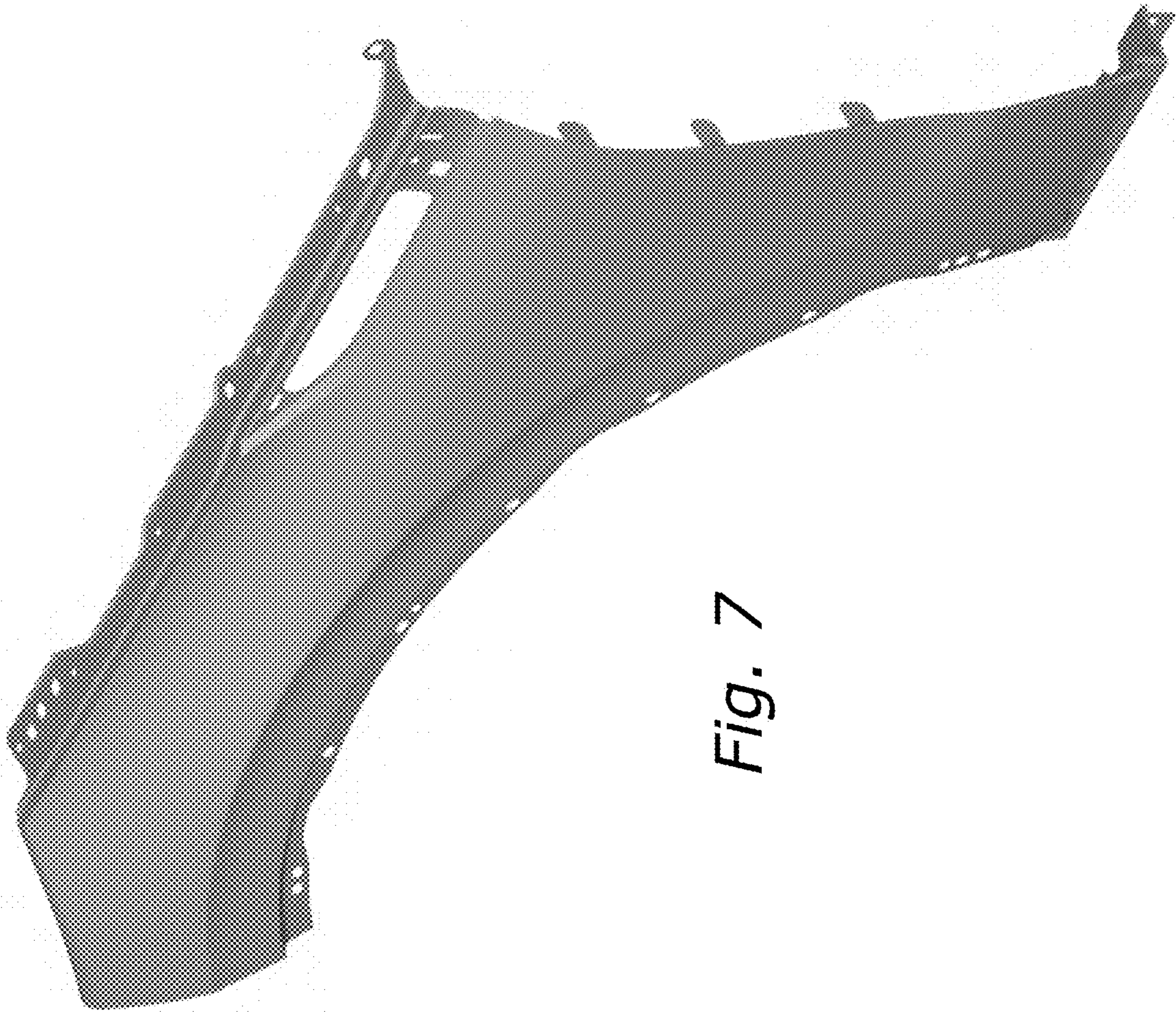


Fig. 7