

US00D878259S

(12) **United States Design Patent** (10) **Patent No.:** **US D878,259 S**
Topp (45) **Date of Patent:** **** Mar. 17, 2020**

(54) **BRAKING UNIT**
 (71) Applicant: **PINTSCH BUBENZER GmbH,**
 Kirchen-Wehbach (DE)
 (72) Inventor: **Markus Ernst Topp,** Nürnbergrecht (DE)
 (73) Assignee: **Pintsch Bubenzler GmbH,**
 Kirchen-Wehbach (DE)
 (**) Term: **15 Years**

D600,180 S * 9/2009 Schulz D12/180
 D661,631 S * 6/2012 Bohm D12/180
 9,109,696 B2 * 8/2015 Heurich F16H 61/28
 9,115,654 B2 * 8/2015 Schnell F01L 1/181
 D828,249 S * 9/2018 Gustafson D12/180
 D836,505 S * 12/2018 Gustafson D12/180
 2008/0062038 A1 * 3/2008 Ouchi G01S 7/032
 342/175
 2018/0170334 A1 * 6/2018 Loeffler B60T 8/368
 2018/0257620 A1 * 9/2018 Crossman B60T 8/50
 2019/0085920 A1 * 3/2019 Liu F16D 65/0043

* cited by examiner

(21) Appl. No.: **29/622,361**
 (22) Filed: **Oct. 17, 2017**
 (51) **LOC (12) Cl.** **12-16**
 (52) **U.S. Cl.**
 USPC **D12/180**
 (58) **Field of Classification Search**
 USPC D12/180
 CPC F01L 1/181
 See application file for complete search history.

Primary Examiner — Kevin K Rudzinski
 (74) *Attorney, Agent, or Firm* — Frost Brown Todd LLP

(57) **CLAIM**

The ornamental design for a braking unit, as shown and described.

DESCRIPTION

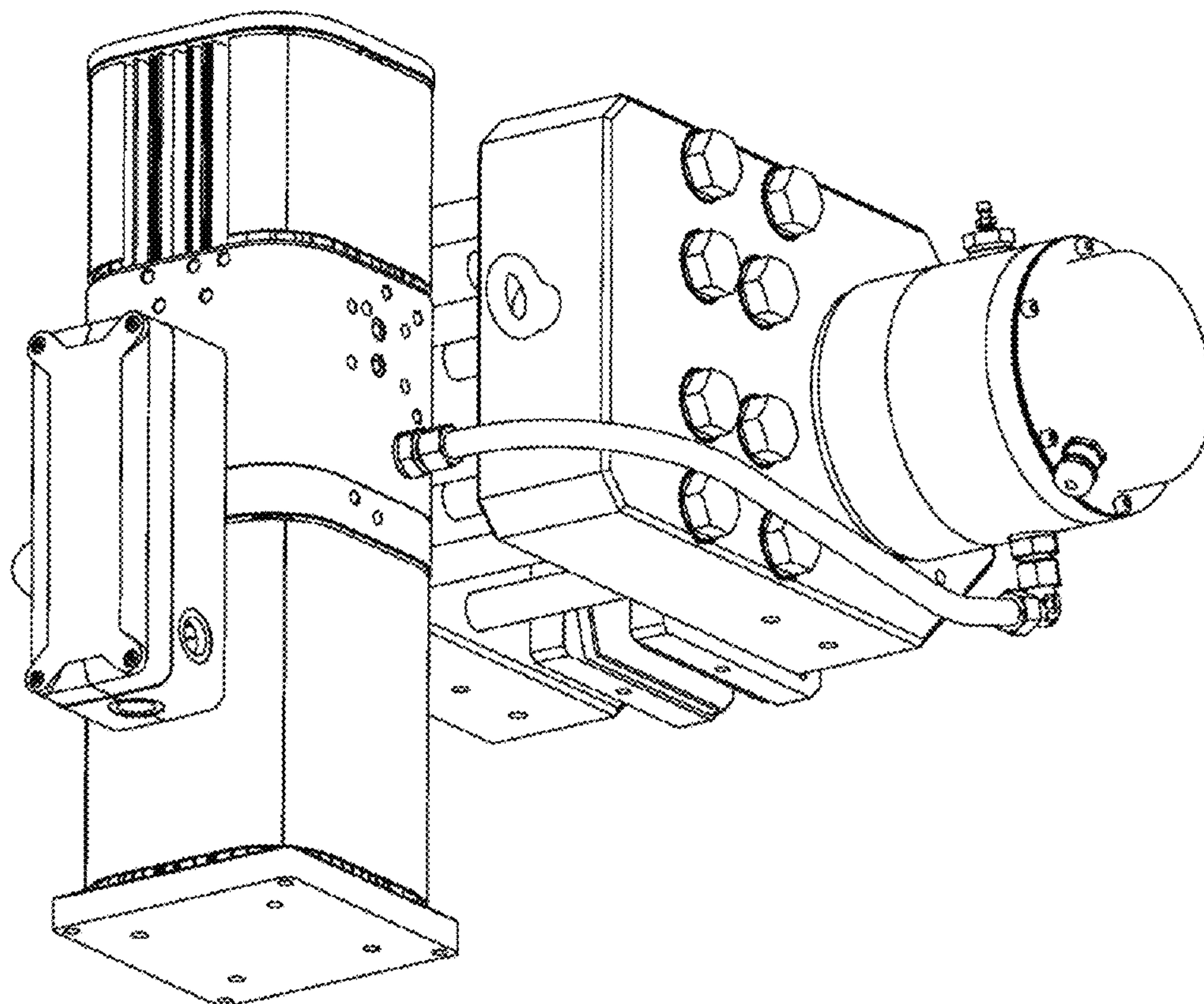
FIG. 1 is a bottom right perspective view of a braking unit showing our new design;
 FIG. 2 is a bottom left perspective view thereof;
 FIG. 3 is a front elevational view of thereof;
 FIG. 4 is a rear elevational view thereof;
 FIG. 5 is a left elevational view thereof;
 FIG. 6 is a right elevational view thereof;
 FIG. 7 is a top plan view thereof; and,
 FIG. 8 is a bottom plan view thereof.

1 Claim, 8 Drawing Sheets

(56) **References Cited**

U.S. PATENT DOCUMENTS

D135,731 S * 5/1943 Benzel 303/4
 D392,234 S * 3/1998 Wallace D12/180
 D418,098 S * 12/1999 Wallace D12/180
 D494,902 S * 8/2004 Wen D12/180
 D546,252 S * 7/2007 Belisle D12/180
 D586,272 S * 2/2009 Schulz D12/180



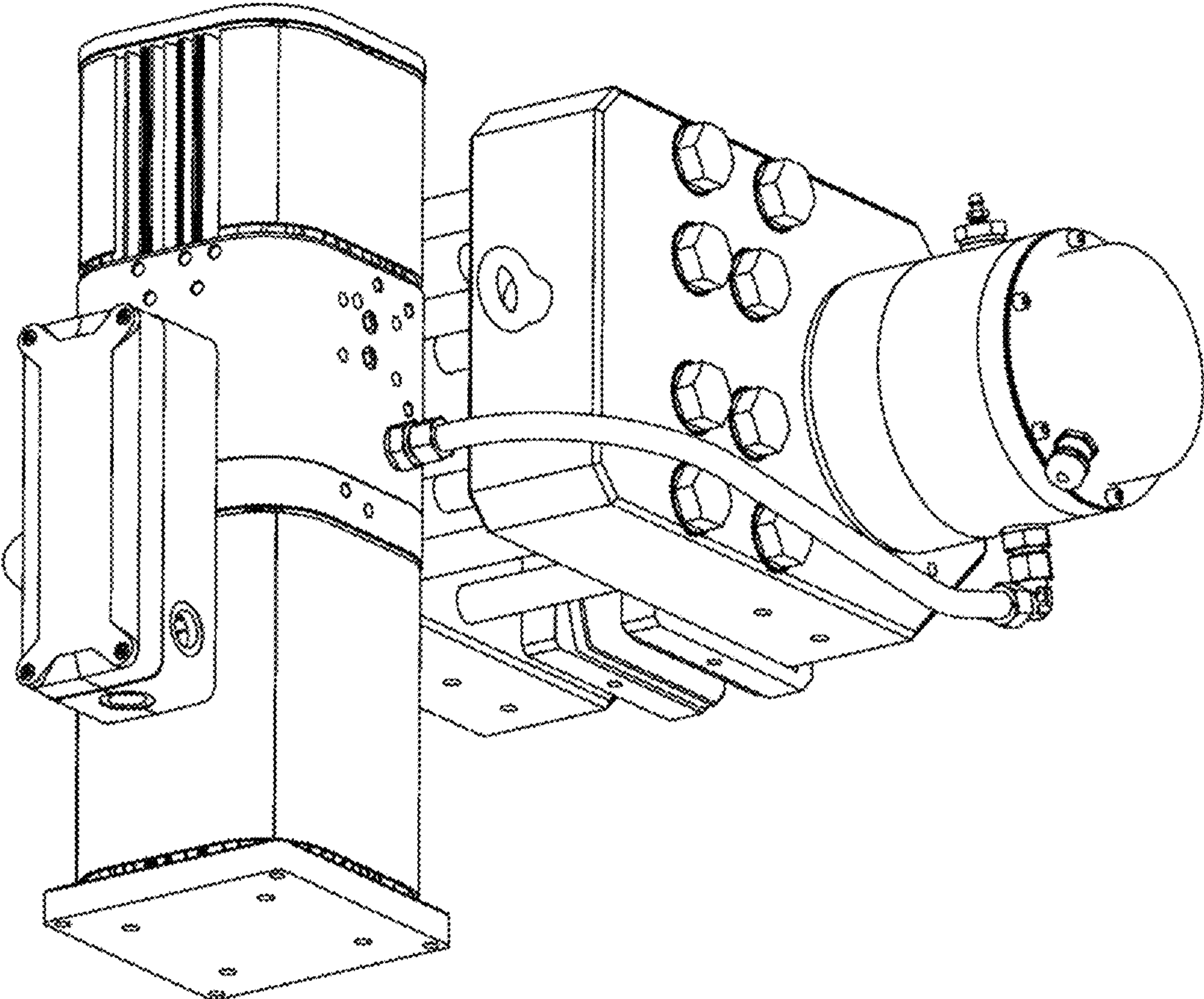


FIG. 1

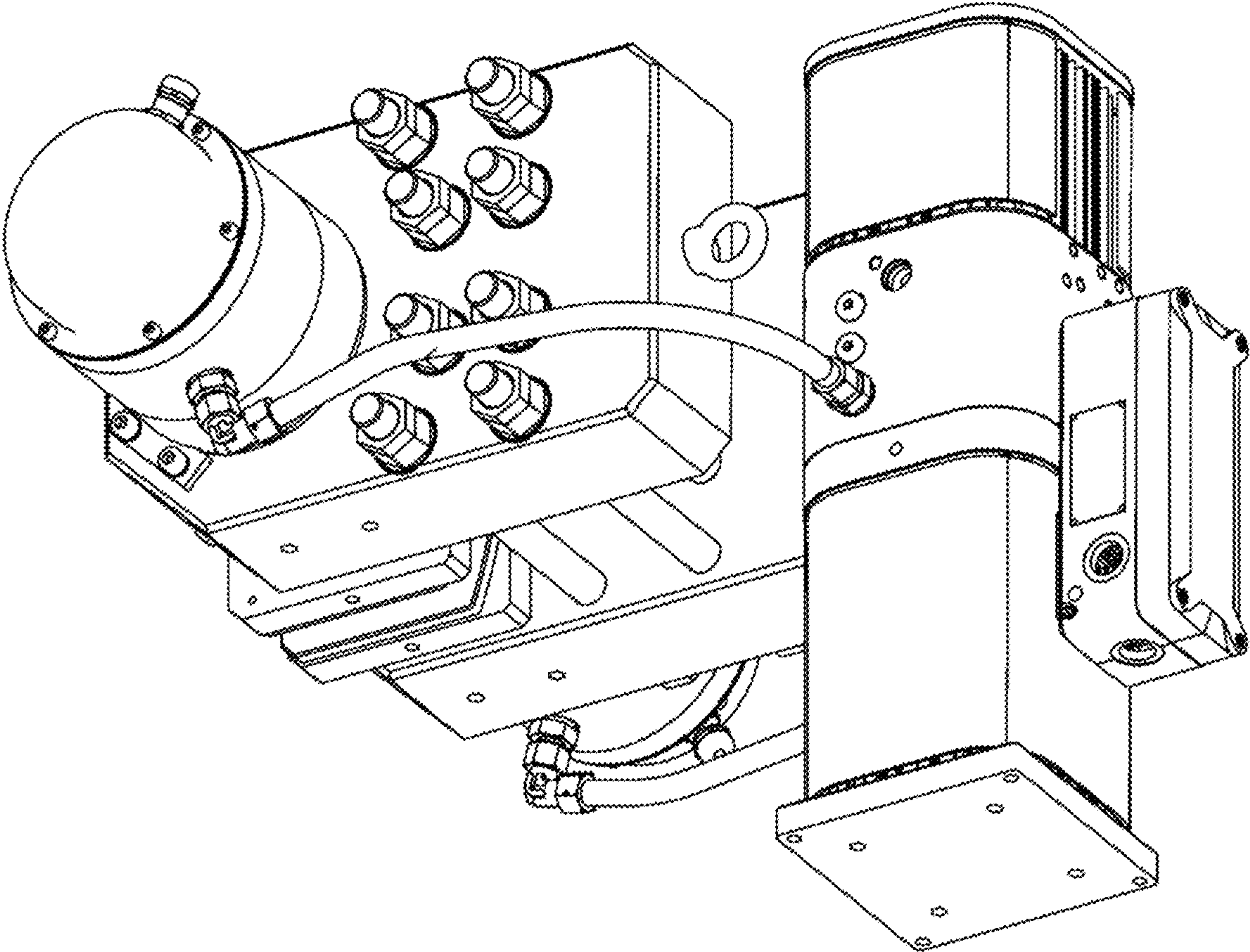


FIG. 2

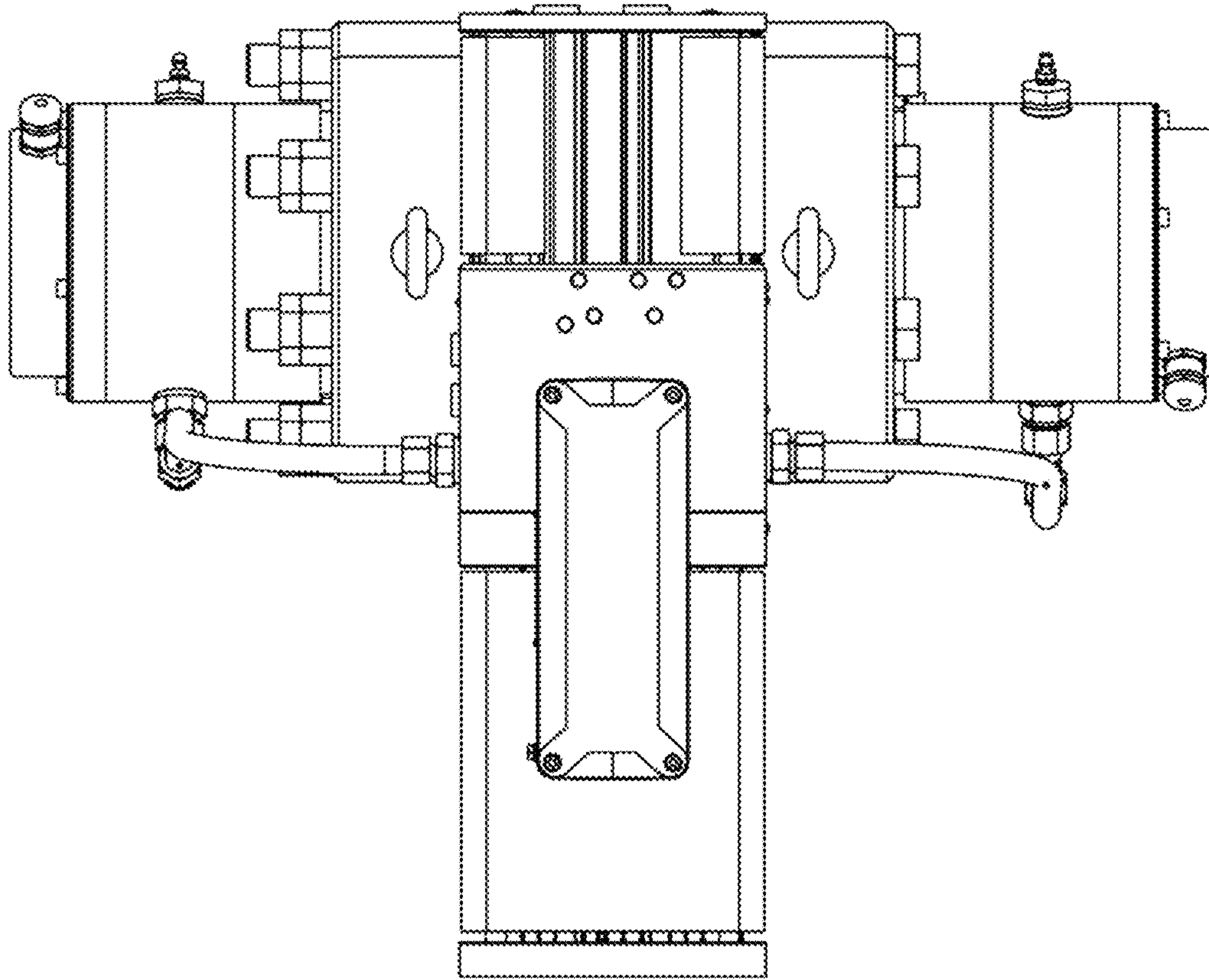


FIG. 3

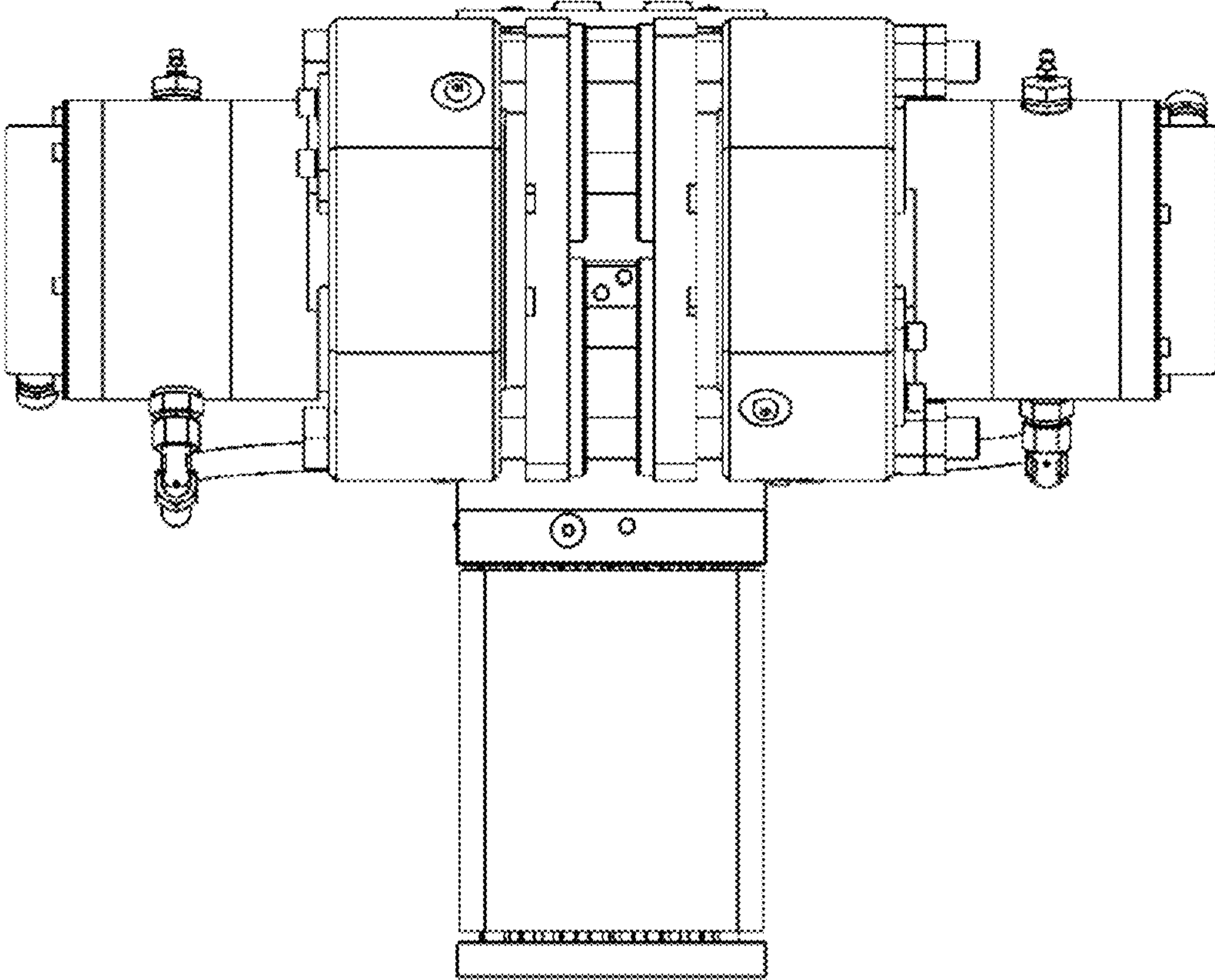


FIG. 4

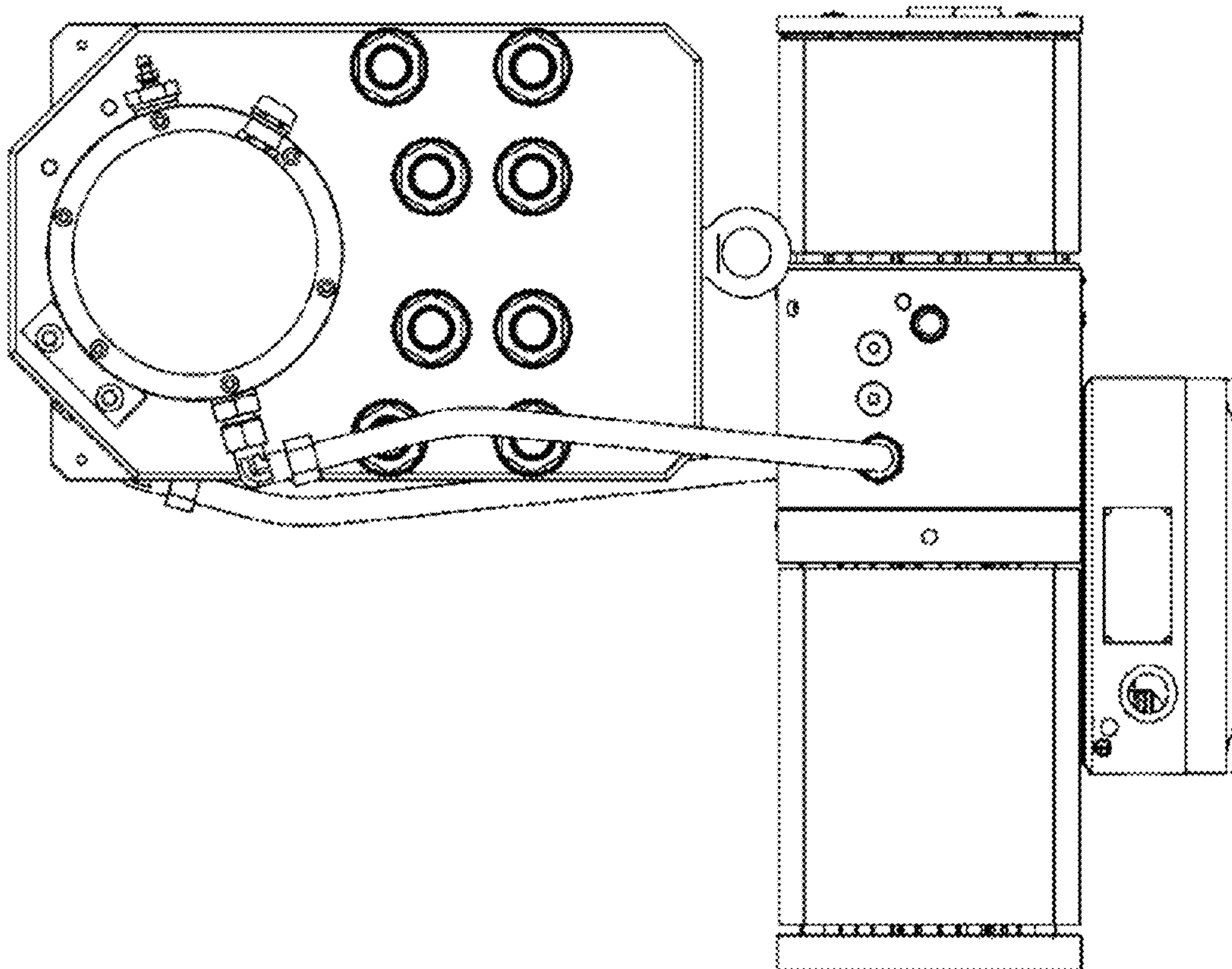


FIG. 5

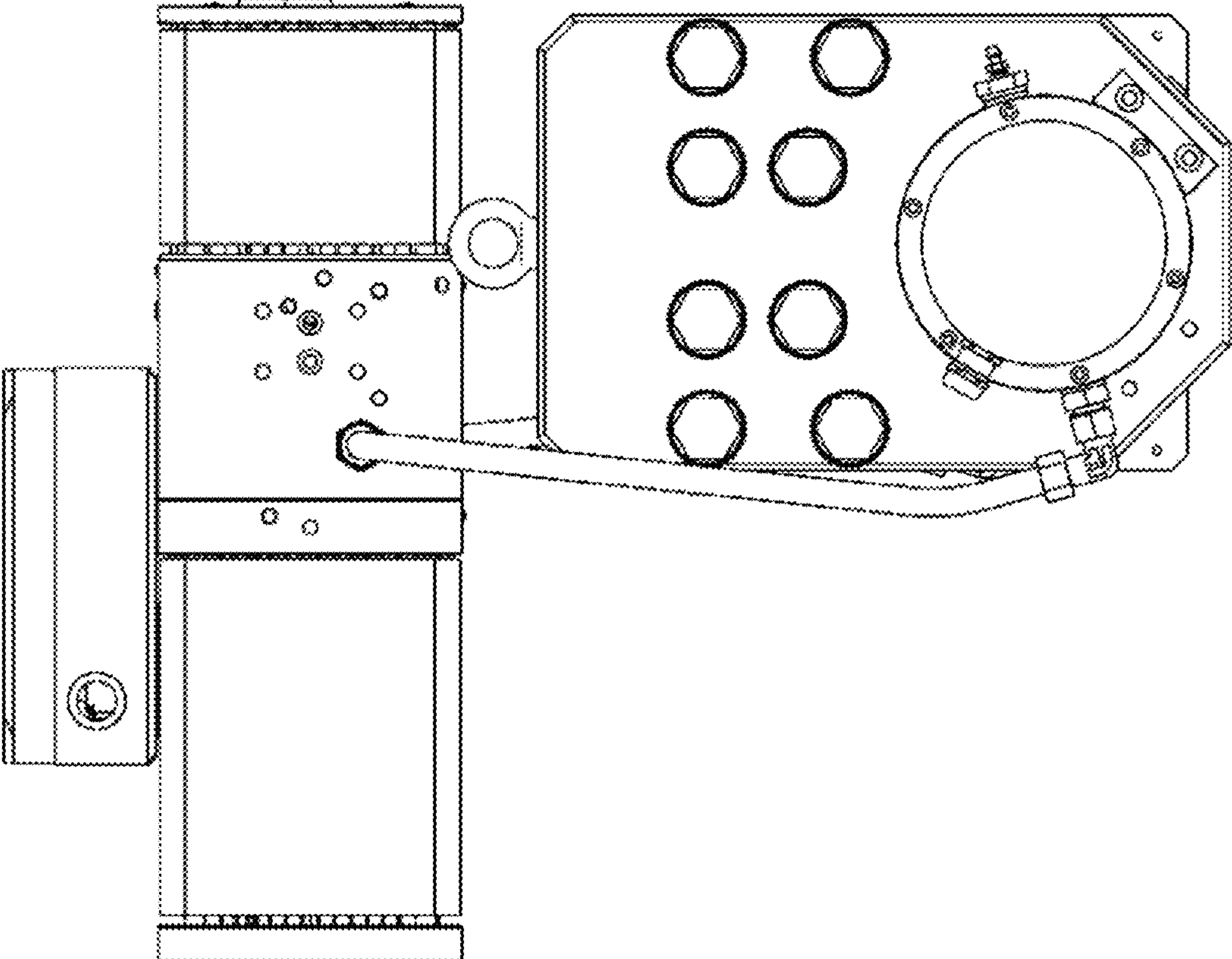


FIG. 6

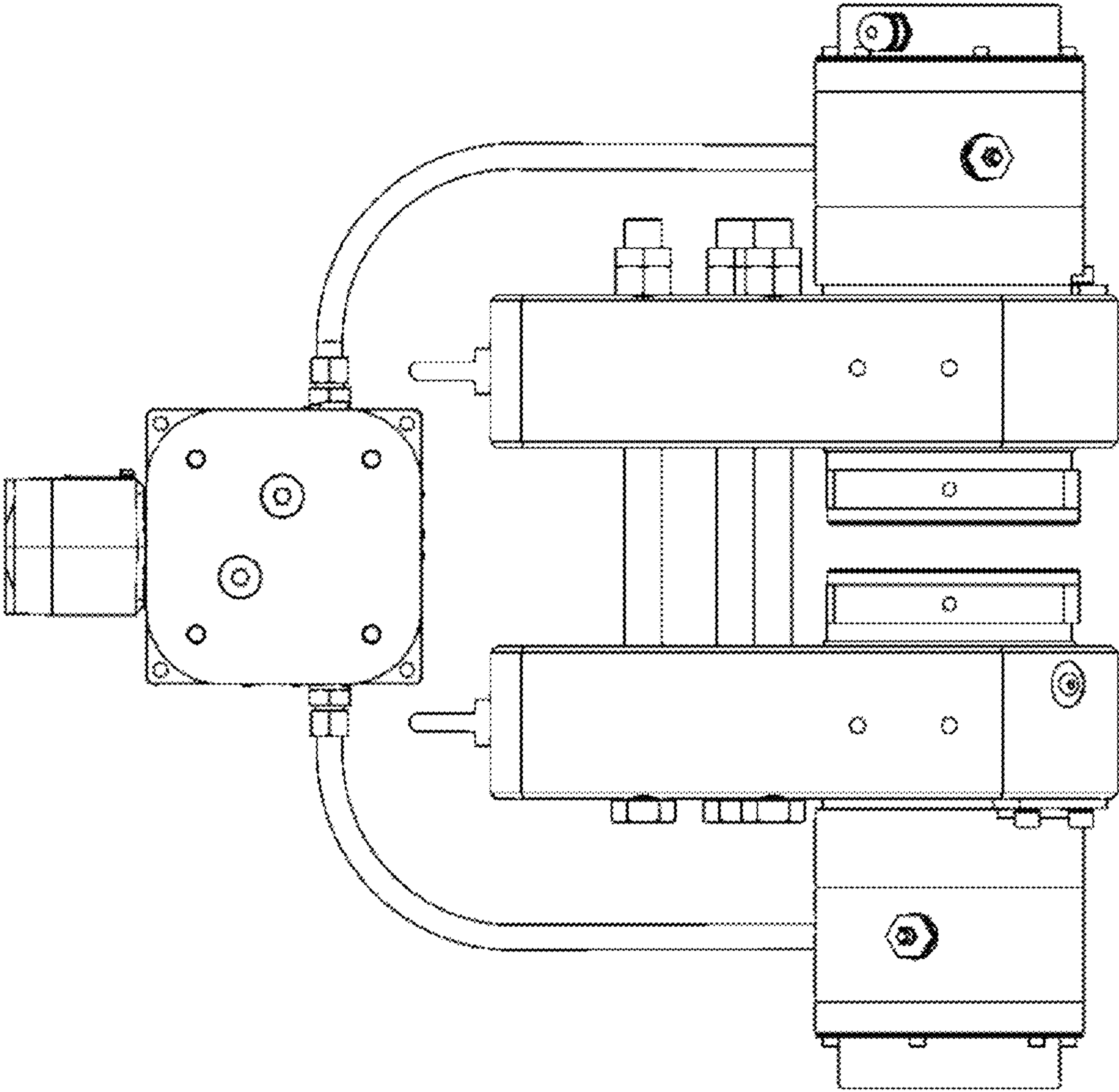


FIG. 7

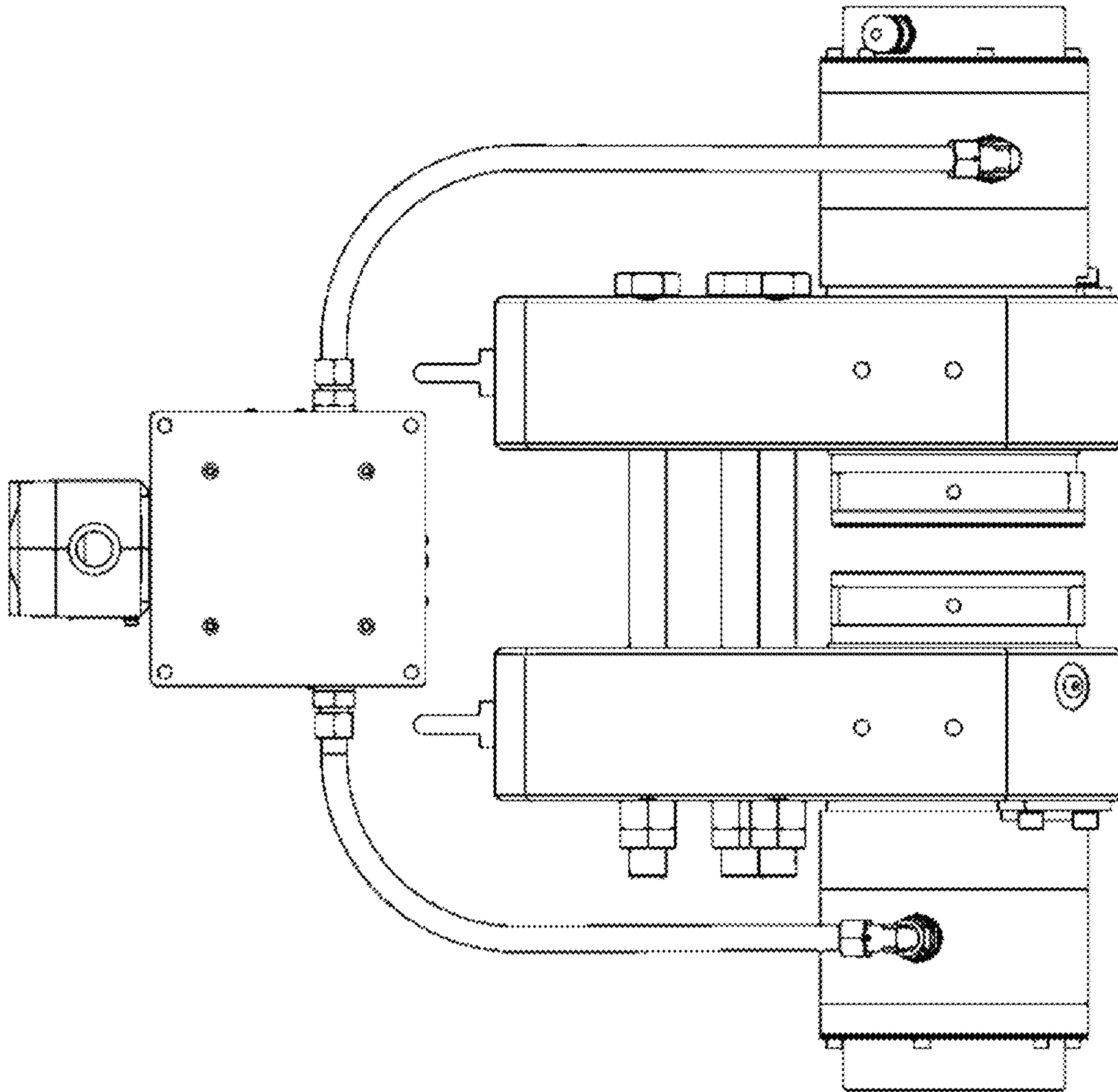


FIG. 8

UNITED STATES PATENT AND TRADEMARK OFFICE
CERTIFICATE OF CORRECTION

PATENT NO. : D878,259 S
APPLICATION NO. : 29/622361
DATED : March 17, 2020
INVENTOR(S) : Markus Ernst Topp

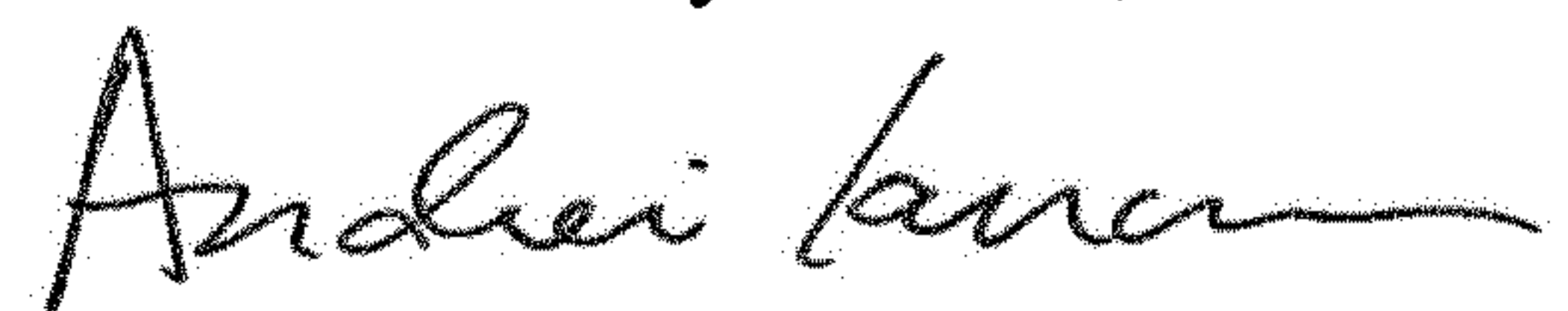
Page 1 of 1

It is certified that error appears in the above-identified patent and that said Letters Patent is hereby corrected as shown below:

On the Title Page

Item (30) – add “Foreign Application Priority Data April 20, 2017 (DE) 402017100534.4”

Signed and Sealed this
Second Day of June, 2020



Andrei Iancu
Director of the United States Patent and Trademark Office