



US00D878257S

(12) **United States Design Patent**
Iida et al.

(10) **Patent No.:** **US D878,257 S**
(45) **Date of Patent:** **** Mar. 17, 2020**

(54) **REAR BUMPER FOR AN AUTOMOBILE**

(71) Applicants: **Hideaki Iida**, Vallauris (FR); **Nobuyuki Tomatsu**, Nagoya (JP); **Shunsuke Sudo**, Nagoya (JP)

(72) Inventors: **Hideaki Iida**, Vallauris (FR); **Nobuyuki Tomatsu**, Nagoya (JP); **Shunsuke Sudo**, Nagoya (JP)

(73) Assignee: **TOYOTA JIDOSHA KABUSHIKI KAISHA** (JP)

(**) Term: **15 Years**

(21) Appl. No.: **29/656,868**

(22) Filed: **Jul. 17, 2018**

(30) **Foreign Application Priority Data**

Jan. 19, 2018 (JP) 2018-000868

(51) **LOC (12) Cl.** **12-16**

(52) **U.S. Cl.**
USPC **D12/169**

(58) **Field of Classification Search**
USPC D12/169, 196, 86, 90-92; 293/102, 113, 293/115, 117, 120; 296/180.1, 180.2
CPC B60R 19/02; B60R 19/04; B62D 25/08
See application file for complete search history.

(56) **References Cited**

U.S. PATENT DOCUMENTS

- D841,535 S * 2/2019 Buckingham D12/169
- D841,536 S * 2/2019 Ojea D12/169
- D847,045 S * 4/2019 Whitla D12/169
- D854,983 S * 7/2019 Katou D12/169
- D856,867 S * 8/2019 Elstner D12/169
- D856,870 S * 8/2019 Nakajima D12/169

- D858,376 S * 9/2019 Scheinhutte D12/169
- D860,077 S * 9/2019 Riggs D12/169
- D861,550 S * 10/2019 Li D12/169
- D862,313 S * 10/2019 Von Holzhausen D12/169

OTHER PUBLICATIONS

Netcarshow, Lexus NX 300h (2018), <<https://www.netcarshow.com/lexus/2018-nx/>>, available as early as Aug. 24, 2017.
 Netcarshow, Porsche Panamera (2017), <<https://www.netcarshow.com/porsche/2017-panamera/>>, available as early as Aug. 24, 2017.
 Netcarshow, Lexus NX 300 F-Sport (2018), <<https://www.netcarshow.com/lexus/2018-nx/>>, available as early as Aug. 24, 2017.
 Netcarshow, Lexus RX 350 F-Sport (2016), <https://www.netcarshow.com/lexus/2016-rx_350_f_sport/>, available as early as Jan. 1, 2016.

* cited by examiner

Primary Examiner — Melody N Brown

(74) *Attorney, Agent, or Firm* — Saidman DesignLaw Group, LLC

(57) **CLAIM**

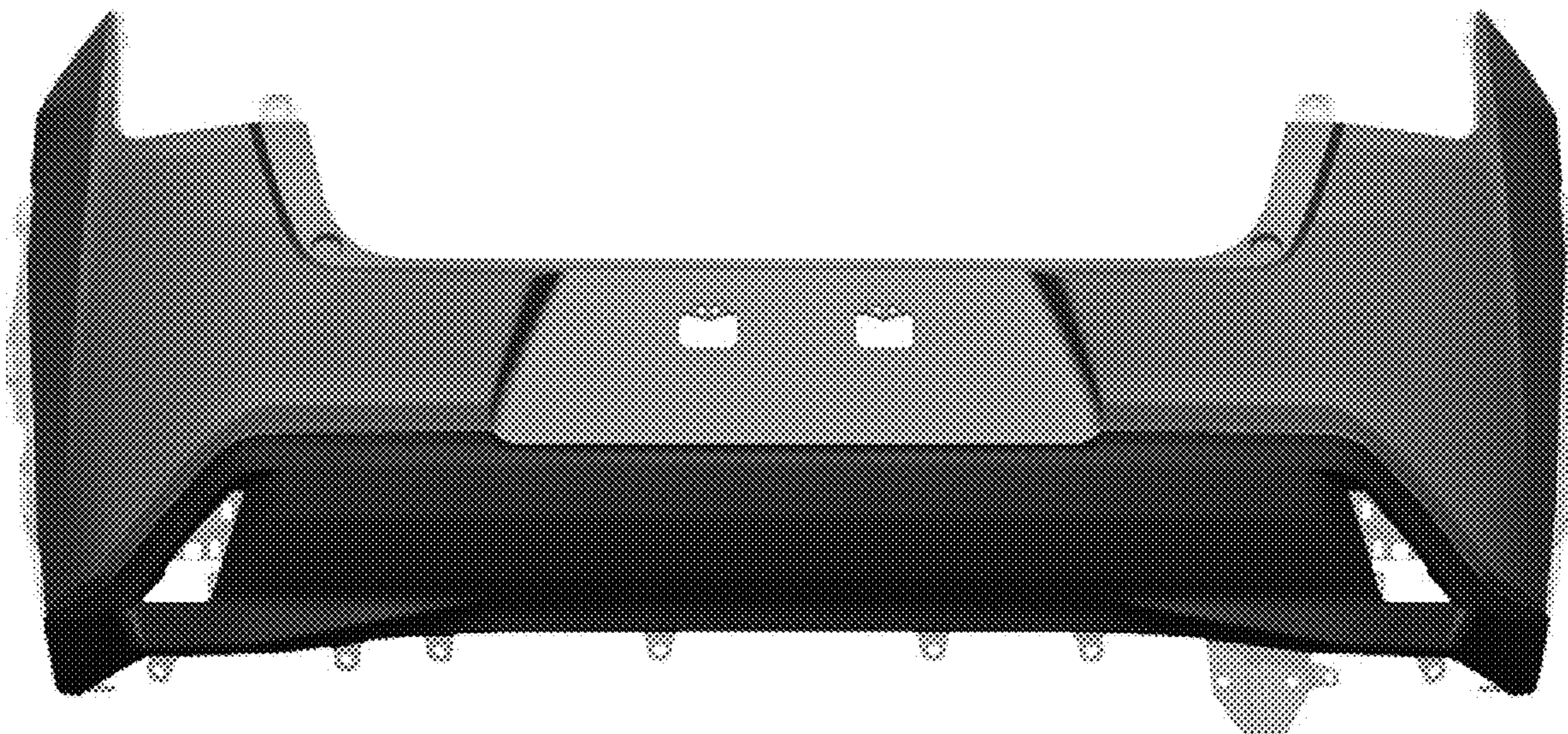
The ornamental design for a rear bumper for an automobile, as shown and described.

DESCRIPTION

FIG. 1 is a perspective view of a rear bumper for an automobile showing our new design;
 FIG. 2 is a front view thereof;
 FIG. 3 is a rear view thereof;
 FIG. 4 is a left side view thereof;
 FIG. 5 is a right side view thereof;
 FIG. 6 is a top view thereof; and,
 FIG. 7 is a bottom view thereof.

The claimed design is indicated by the relatively dark portions in the figures. The relatively light portions form no part of the claimed design.

1 Claim, 7 Drawing Sheets



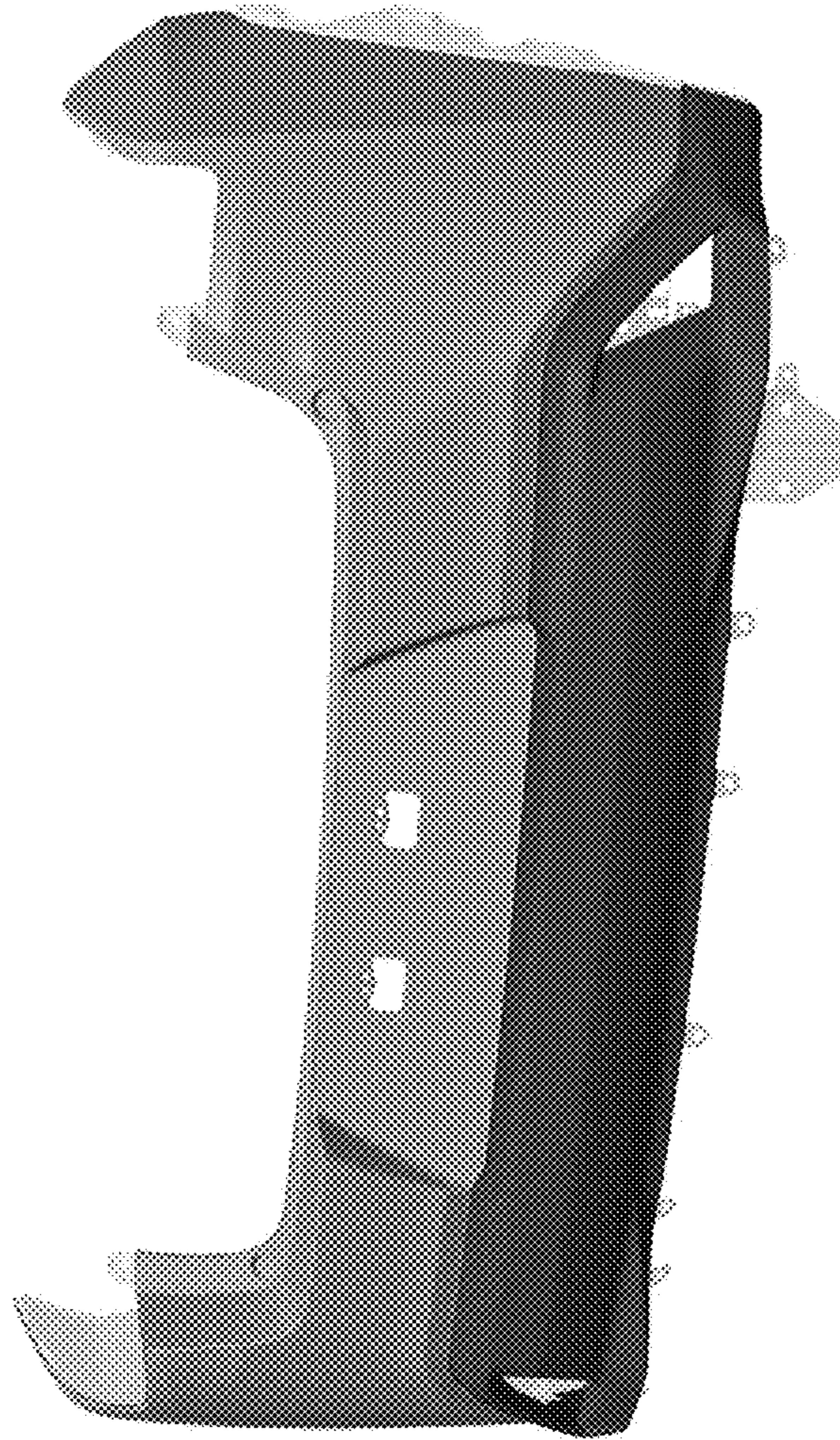


FIG. 1

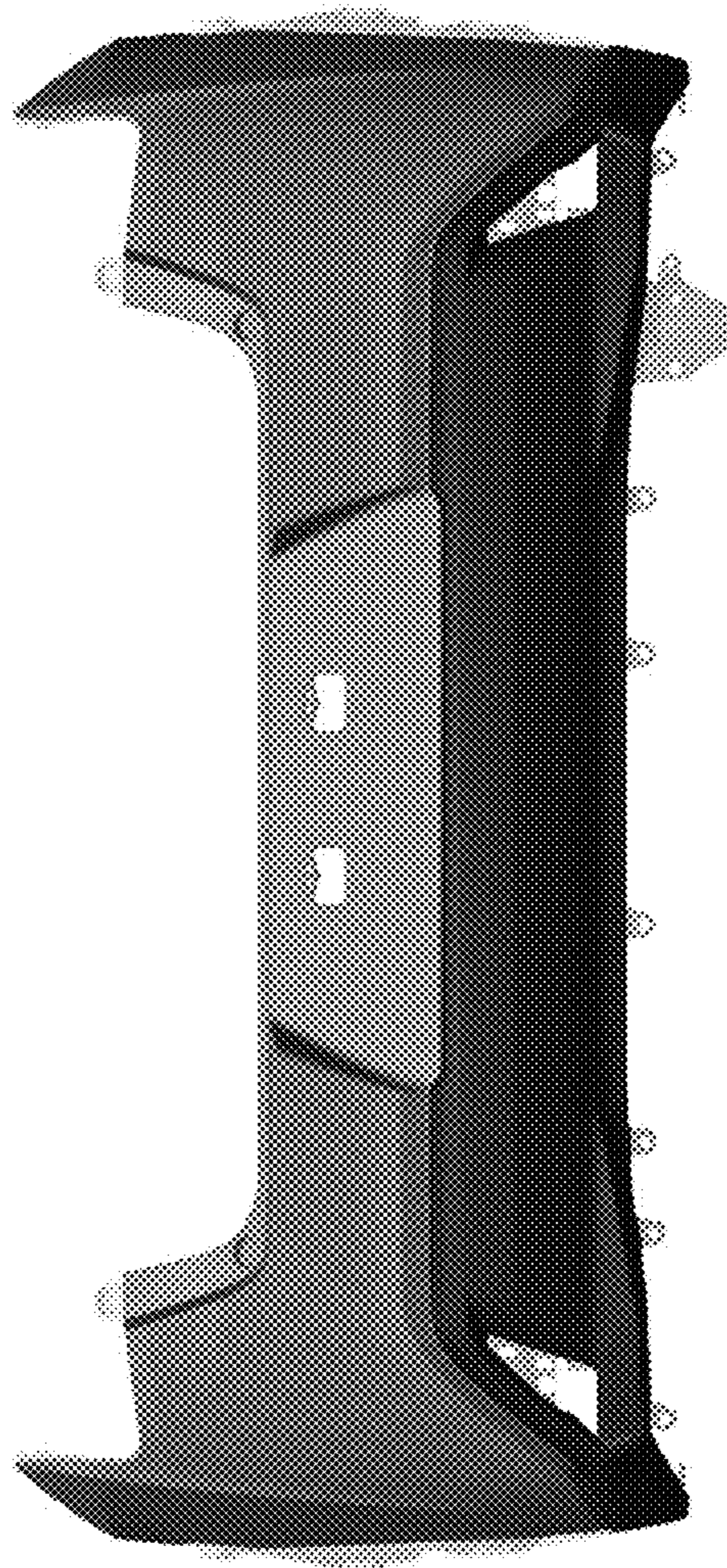


FIG. 2

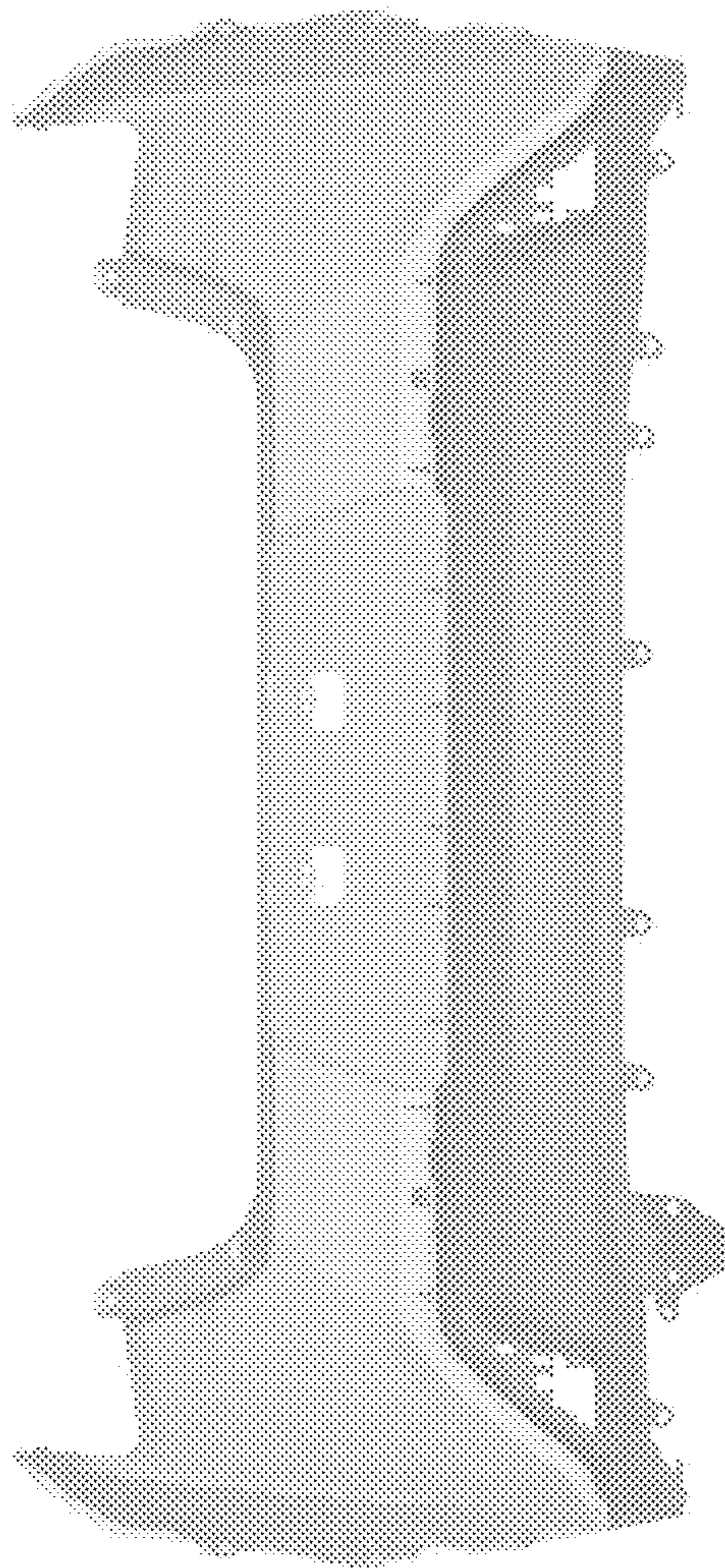


FIG. 3

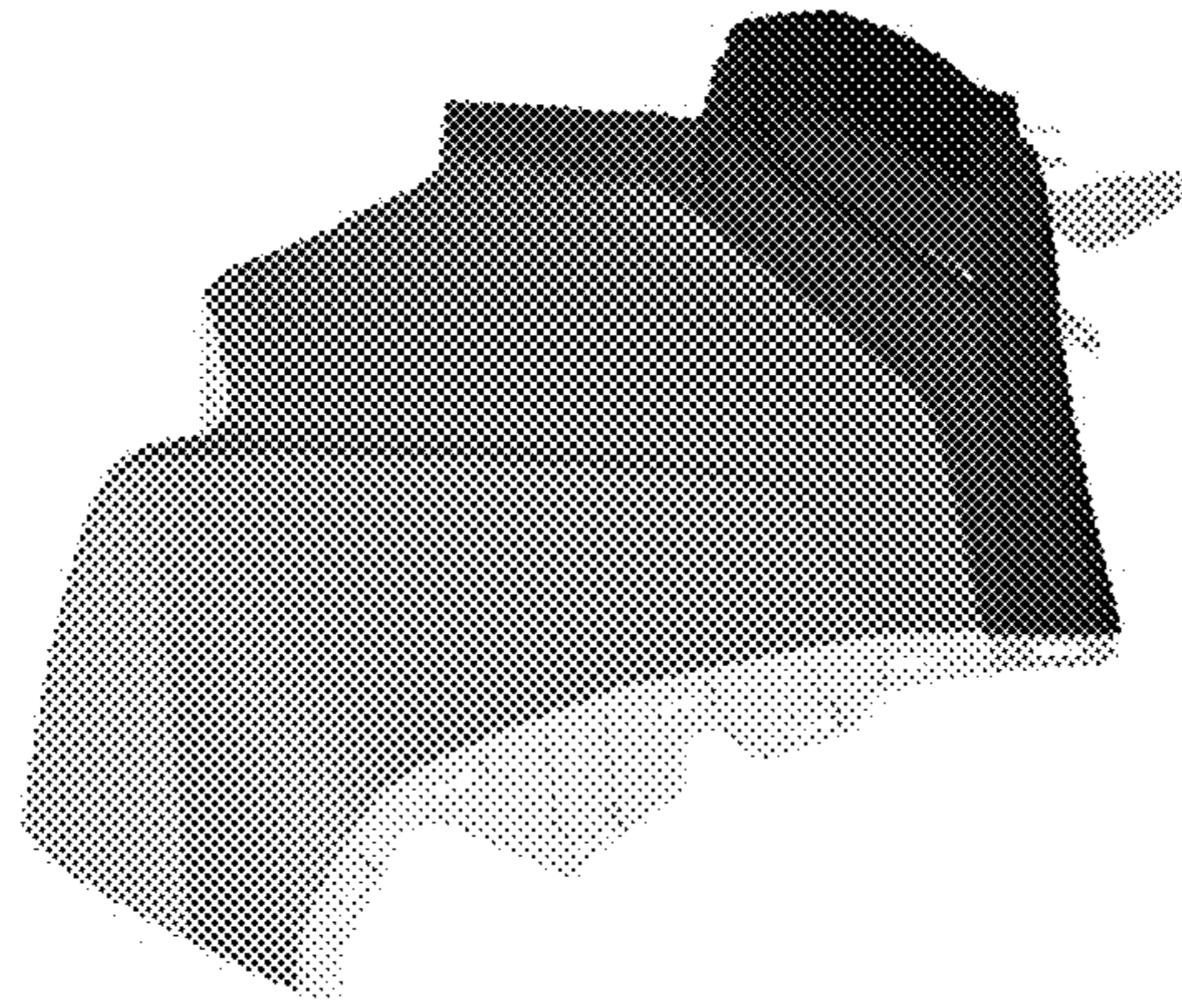


FIG. 4

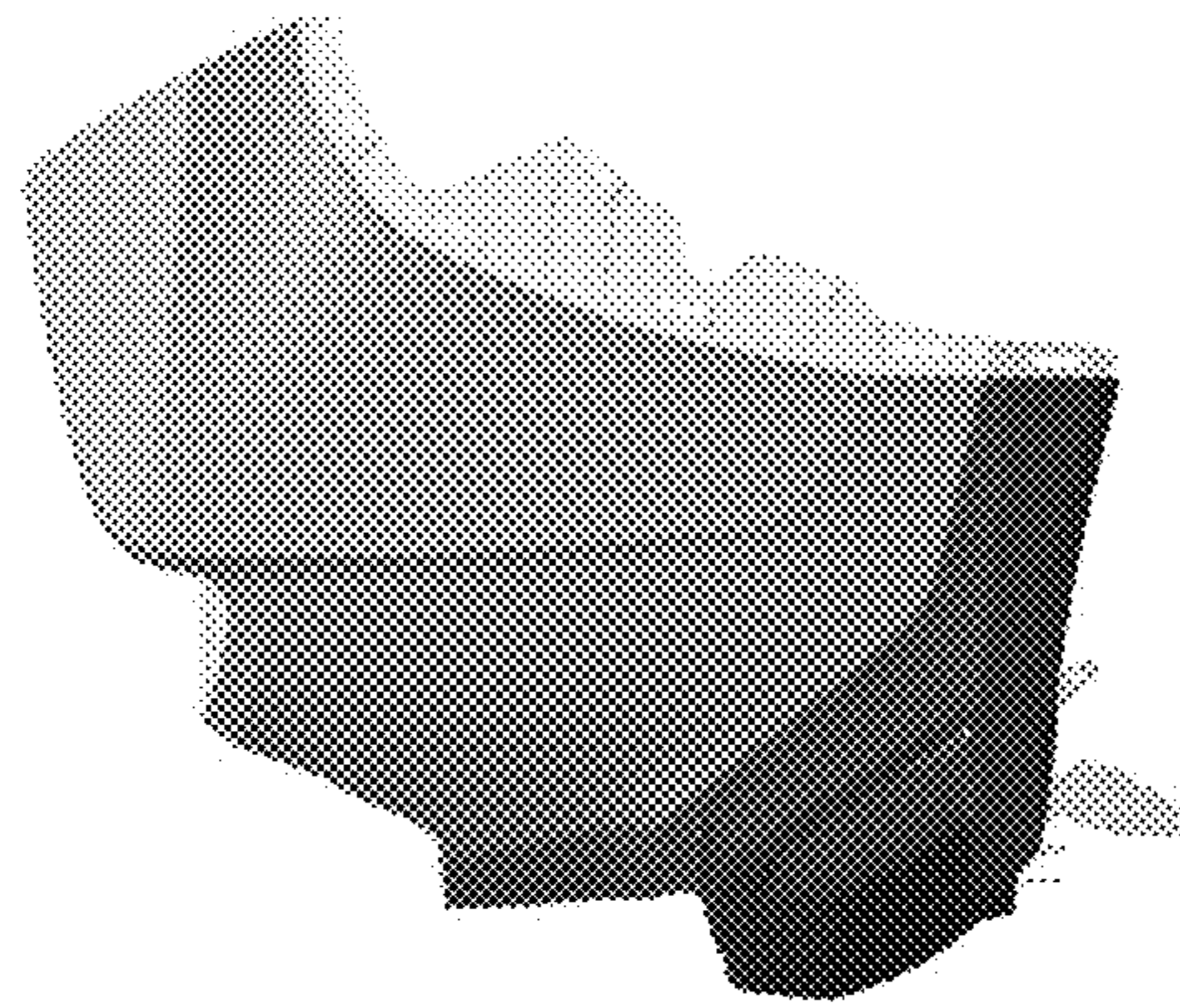


FIG. 5

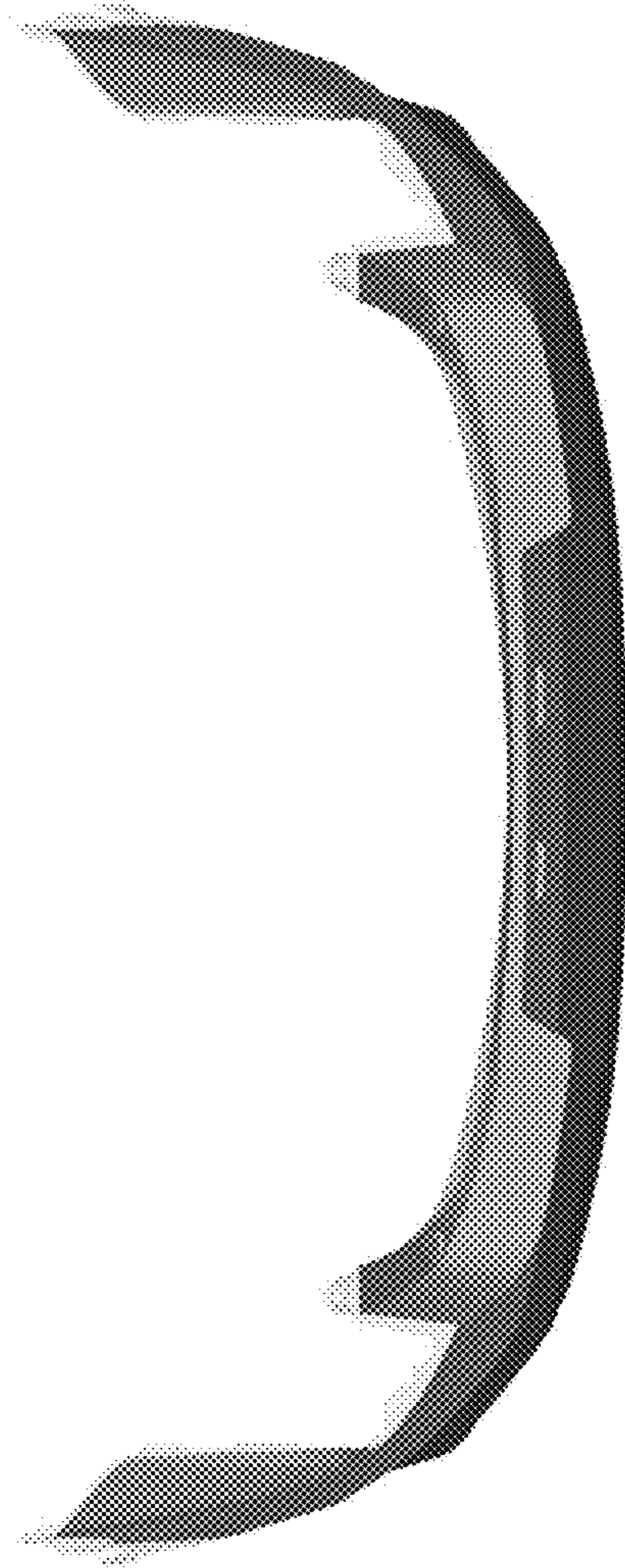


FIG. 6

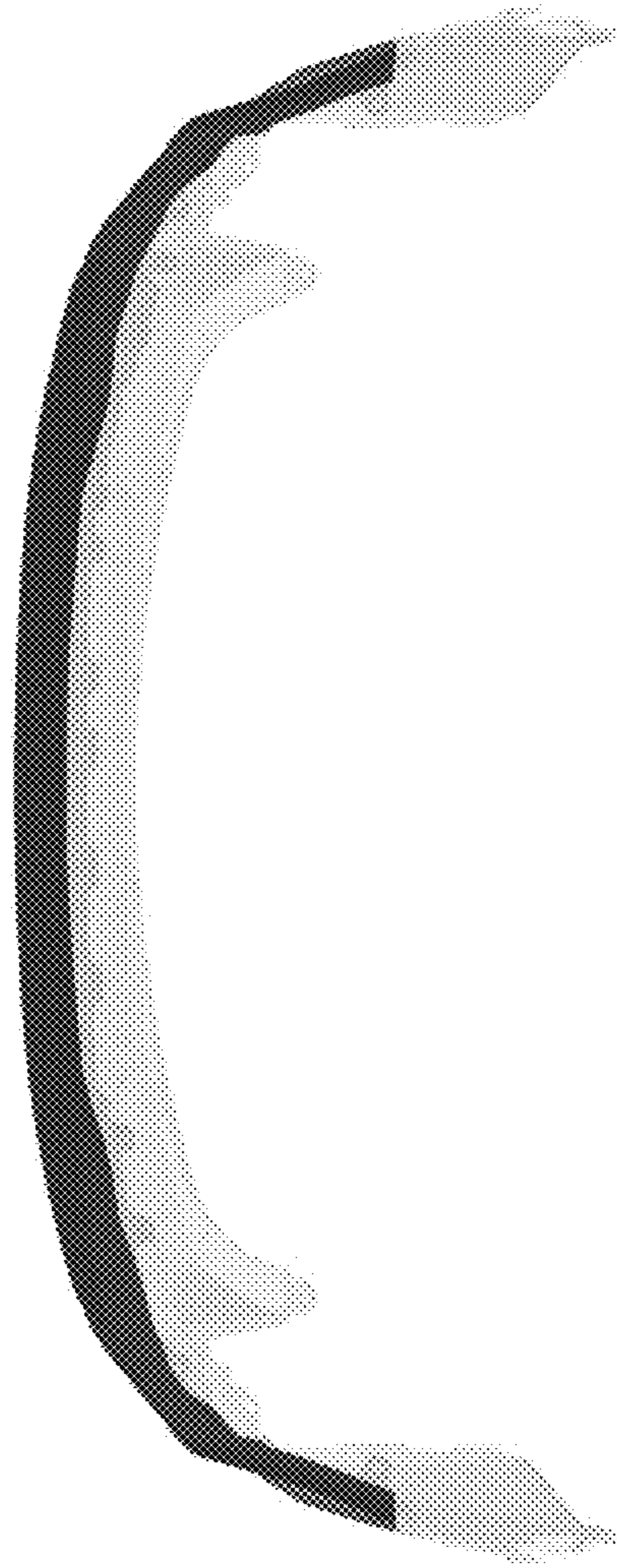


FIG. 7