



US00D878250S

(12) **United States Design Patent**  
**Huang**

(10) **Patent No.:** **US D878,250 S**  
(45) **Date of Patent:** **\*\* Mar. 17, 2020**

(54) **AUTOMOTIVE HYDRAULIC ROD**

(71) Applicant: **Jiali Huang**, Maoming (CN)

(72) Inventor: **Jiali Huang**, Maoming (CN)

(\*\*) Term: **15 Years**

(21) Appl. No.: **29/708,845**

(22) Filed: **Oct. 10, 2019**

(51) **LOC (12) Cl.** ..... **12-16**

(52) **U.S. Cl.**  
USPC ..... **D12/159**

(58) **Field of Classification Search**  
USPC ..... D12/159-160; D21/763  
CPC .... F16F 9/0218; F16F 9/0263; F16F 2232/08;  
F16F 9/3235; F16F 9/061; B62D 1/046;  
B62D 1/185; B62D 1/195; B62D 1/187  
See application file for complete search history.

(56) **References Cited**

**U.S. PATENT DOCUMENTS**

3,885,776	A *	5/1975	Blatt	.....	B60R 19/32 267/34
4,257,499	A *	3/1981	Deschner	.....	F15B 15/224 188/287
4,284,177	A *	8/1981	Domek	.....	F16F 9/486 188/280
D302,672	S *	8/1989	Ueno	.....	D12/159
4,948,103	A *	8/1990	Bowden	.....	F16F 13/00 16/84
D346,780	S *	5/1994	Homme	.....	D12/159
D346,781	S *	5/1994	Homme	.....	D12/159
6,126,154	A *	10/2000	Shepherd	.....	B60G 11/14 267/150
D449,031	S *	10/2001	Matsushashi	.....	D13/171
D553,545	S *	10/2007	Nygren	.....	D12/159
D563,287	S *	3/2008	Falter	.....	D12/159
D574,758	S *	8/2008	Miyasato	.....	D12/159
D734,219	S *	7/2015	Gustaffson	.....	D12/118
D762,073	S *	7/2016	Toll	.....	
D811,281	S *	2/2018	Panichgasem	.....	D12/159

2001/0052441	A1 *	12/2001	Schmidt	.....	F16F 9/3242 188/280
2009/0001636	A1 *	1/2009	Miyasato	.....	F16F 9/19 267/64.13
2009/0173033	A1 *	7/2009	Baxter, Jr.	.....	A63J 1/00 52/646
2010/0140031	A1 *	6/2010	Miyasato	.....	F16F 9/003 188/280
2012/0247891	A1 *	10/2012	Miyasato	.....	F16F 9/483 188/288
2013/0015027	A1 *	1/2013	Miyasato	.....	F16F 9/363 188/269

(Continued)

**OTHER PUBLICATIONS**

Tesla Model 3 Automatic Trunk Lift Supports Rear Trunk Struts with Spring and Stainless Steel Washer (Set of Two) V2.0 [Upgraded], <https://www.amazon.com/dp/B07V6PZQ5S>.

(Continued)

*Primary Examiner* — Michael A. Pratt

(74) *Attorney, Agent, or Firm* — Wayne V. Harper

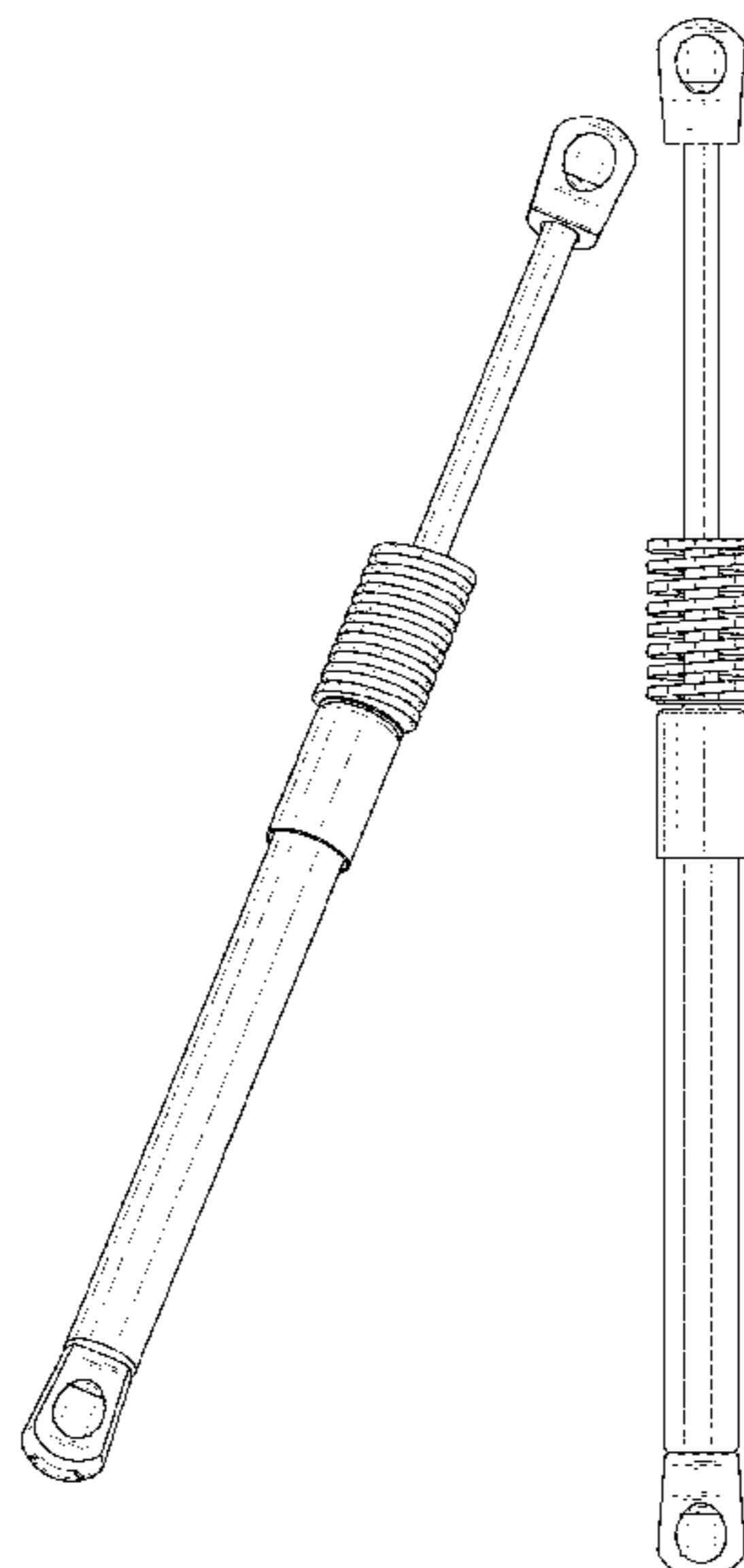
(57) **CLAIM**

I claim the ornamental design for an automotive hydraulic rod, as shown and described.

**DESCRIPTION**

FIG. 1 is a Perspective view of an automotive hydraulic rod showing my new design;  
FIG. 2 is a Front view thereof;  
FIG. 3 is a Back view thereof;  
FIG. 4 is a Left-side view thereof;  
FIG. 5 is a Right-side view thereof;  
FIG. 6 is a top view thereof; and,  
FIG. 7 is a bottom view thereof.  
The broken lines are only for environmental purposes and form no part of the claimed design.

**1 Claim, 6 Drawing Sheets**



(56)

**References Cited**

U.S. PATENT DOCUMENTS

2015/0152934 A1\* 6/2015 Miyasato ..... F15B 15/1423  
91/246  
2015/0198212 A1\* 7/2015 Miyasato ..... F16F 9/20  
188/268  
2015/0321530 A1\* 11/2015 Leonard ..... B60G 11/27  
267/64.27

OTHER PUBLICATIONS

Oneuda Car Refit Front Hood Engine Cover Hydraulic Rod Strut  
Spring Shock Bar for Mazda CX-5 CX5 2017 2018, [https://www.  
amazon.com/Oneuda-Refit-Engine-Hydraulic-Spring/dp/  
B07NRYYP9T](https://www.amazon.com/Oneuda-Refit-Engine-Hydraulic-Spring/dp/B07NRYYP9T).

\* cited by examiner

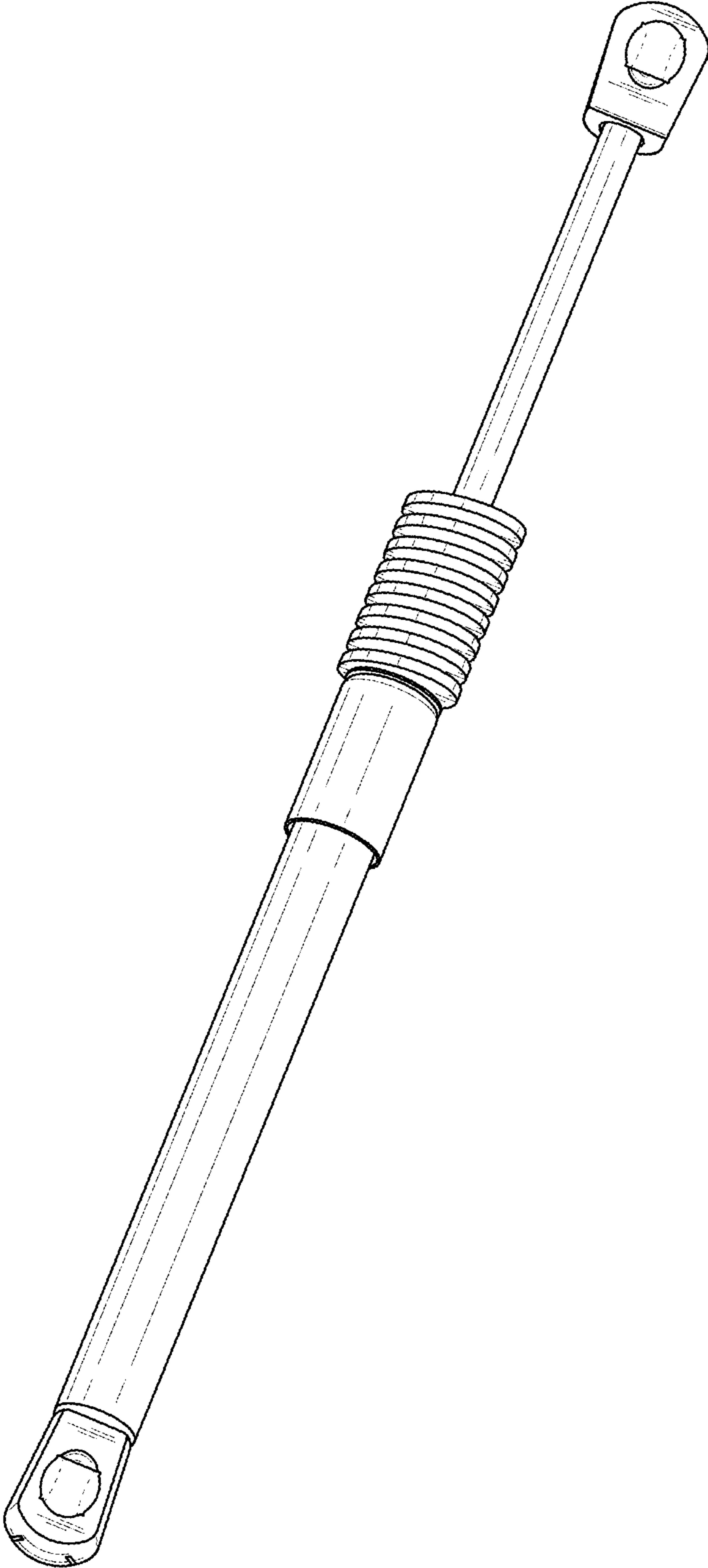


FIG. 1

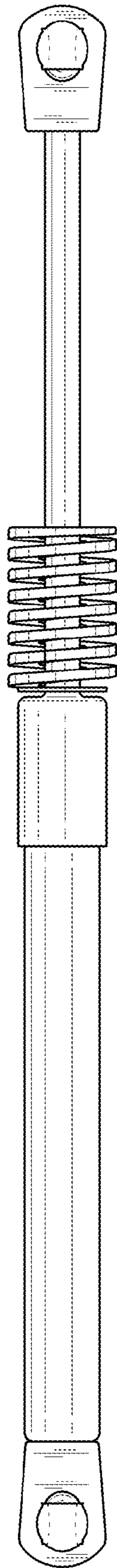


FIG. 2

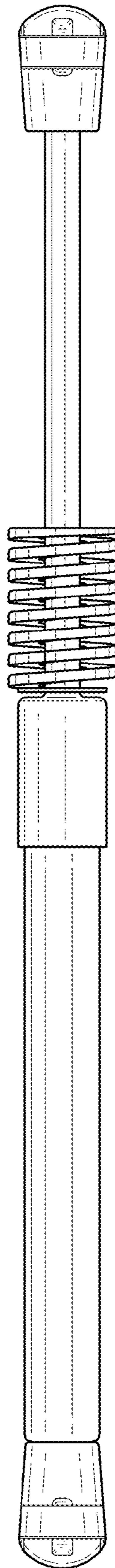


FIG. 3

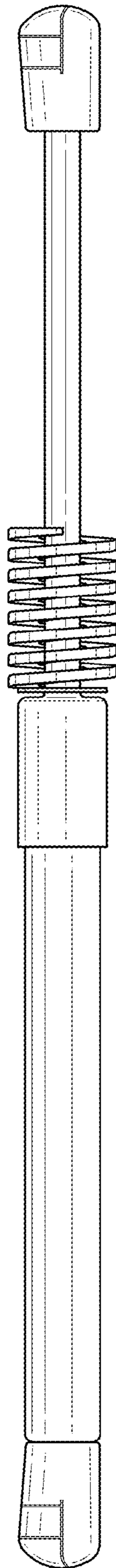


FIG. 4

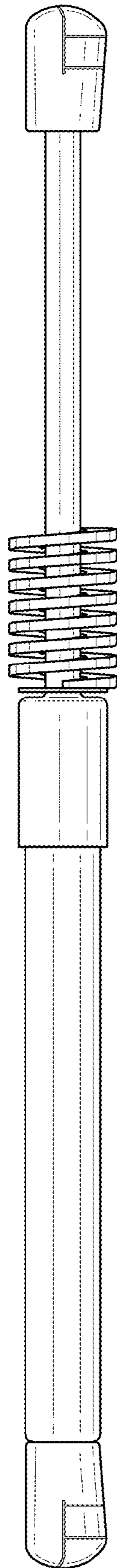


FIG. 5

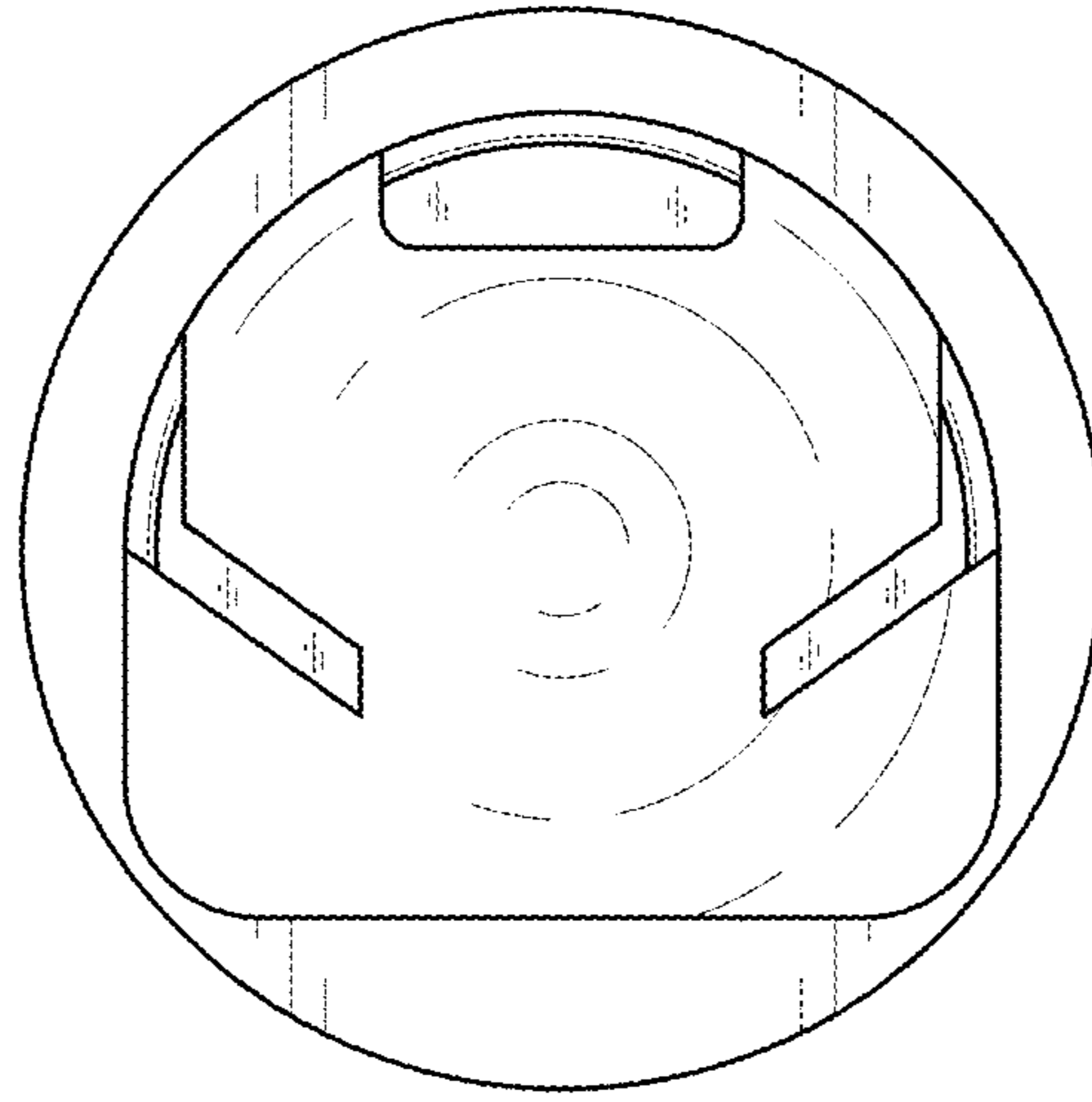


FIG. 6

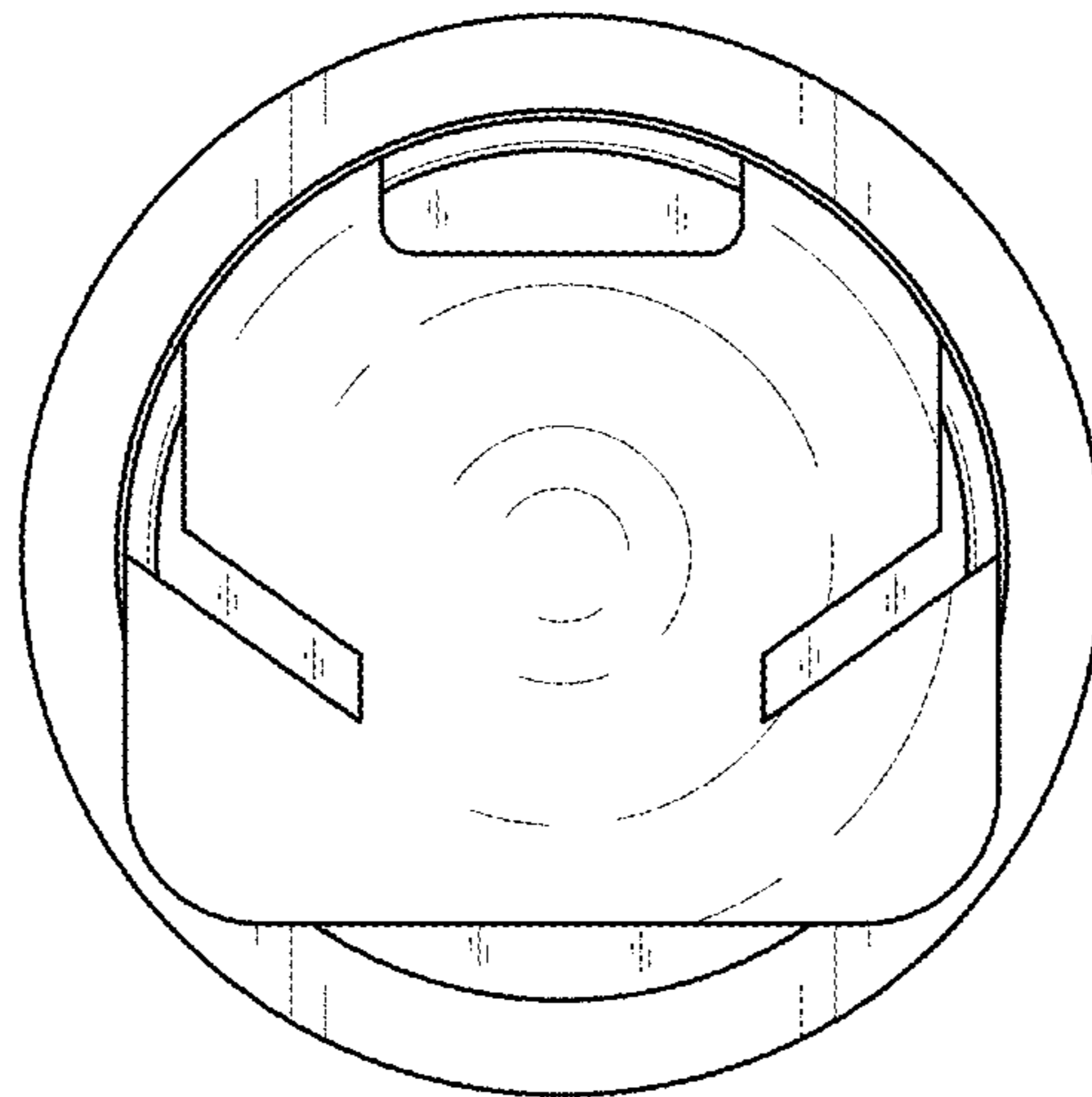


FIG. 7