



US00D878249S

(12) **United States Design Patent**
Pos

(10) **Patent No.:** **US D878,249 S**
(45) **Date of Patent:** **** Mar. 17, 2020**

- (54) **STROLLER FRAME**
- (71) Applicant: **CYBEX GmbH**, Bayreuth (DE)
- (72) Inventor: **Martin Pos**, Bayreuth (DE)
- (73) Assignee: **Cybox GmbH**, Bayreuth (DE)
- (**) Term: **15 Years**
- (21) Appl. No.: **29/628,727**
- (22) Filed: **Dec. 7, 2017**

Related U.S. Application Data

- (62) Division of application No. 35/500,637, filed on Aug. 25, 2015 (U.S. filing date under 35 U.S.C. 384), and having an international filing date of Aug. 25, 2015, now Pat. No. Des. 808,307.

Foreign Application Priority Data

- Aug. 18, 2015 (EM) 915287901
- (51) **LOC (12) Cl.** **12-12**
- (52) **U.S. Cl.**
USPC **D12/129**
- (58) **Field of Classification Search**
USPC D12/129
CPC B62B 7/06; B62B 9/12; B62B 9/28; B62B 7/006; B62B 7/064; B62B 7/08; B62B 9/20
See application file for complete search history.

References Cited

U.S. PATENT DOCUMENTS

- D566,013 S * 4/2008 Wang D12/129
- D570,747 S * 6/2008 Beger D12/129
- D583,719 S * 12/2008 Siewertsen D12/129
- D584,194 S * 1/2009 Zweideck D12/129
- D616,338 S * 5/2010 Kho D12/129

- D616,340 S * 5/2010 Wu D12/129
- D616,792 S * 6/2010 Jacobs D12/129
- D635,491 S * 4/2011 Ohnishi D12/129
- D643,786 S * 8/2011 Barenbrug D12/129
- D670,210 S * 11/2012 Li D12/129
- D687,352 S * 8/2013 Shellenberger D12/129
- 8,919,806 B2 * 12/2014 Pollack B62B 7/066
280/642
- 8,919,807 B2 * 12/2014 Taylor B62B 7/06
280/642

(Continued)

Primary Examiner — Michael A. Pratt

(74) *Attorney, Agent, or Firm* — Boyle Fredrickson, S.C.

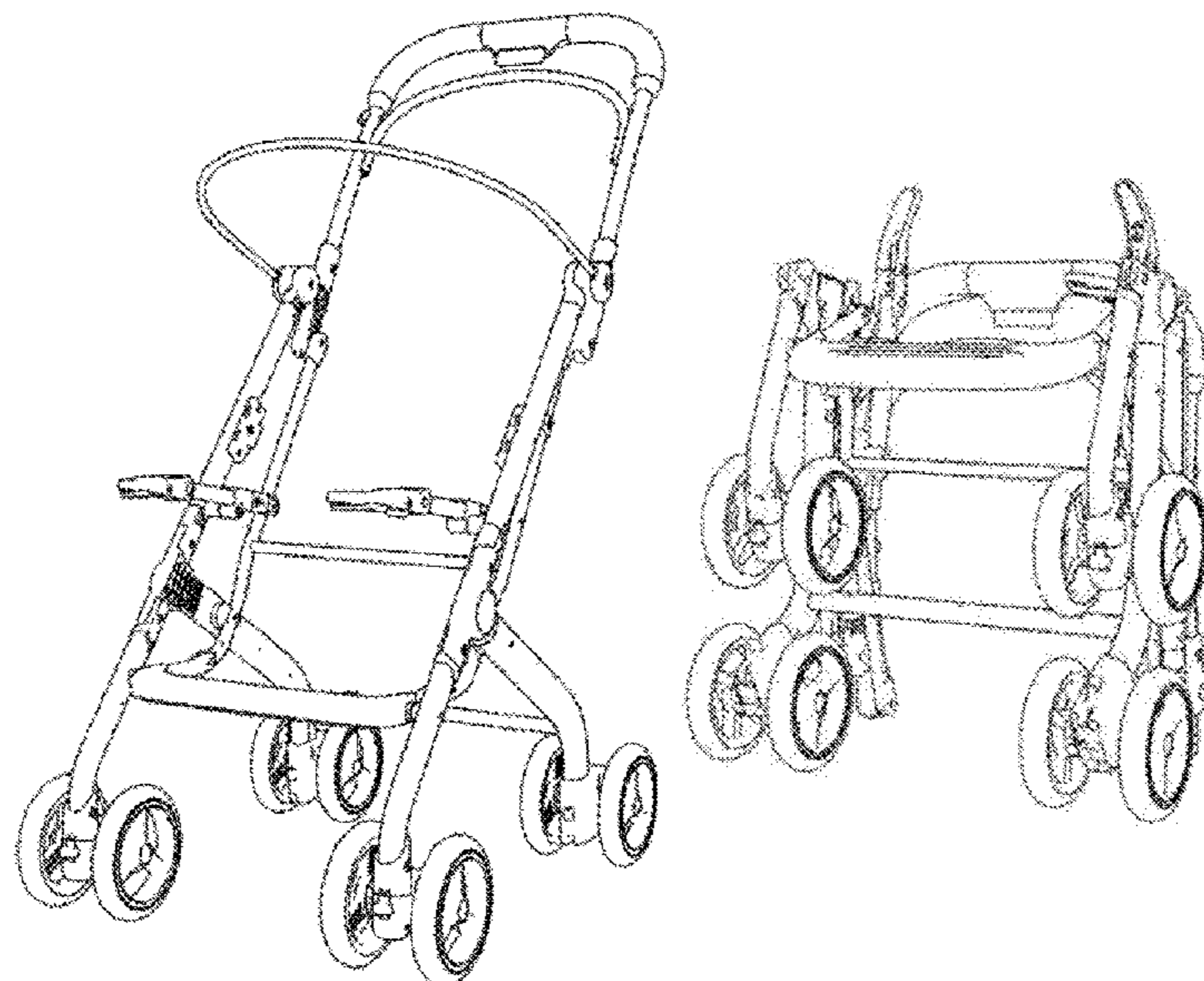
(57) **CLAIM**

The ornamental design for stroller frame, as shown and described.

DESCRIPTION

FIG. 1 is a perspective view of a stroller frame in accordance with the present invention;
 FIG. 2 is a front view of the stroller frame of FIG. 1;
 FIG. 3 is a back view of the stroller frame of FIG. 1;
 FIG. 4 is a side elevational view of a first side of the stroller frame of FIG. 1;
 FIG. 5 is a side elevational view of a second side of the stroller frame of FIG. 1;
 FIG. 6 is a top view of the stroller frame of FIG. 1;
 FIG. 7 is a bottom view of the stroller frame of FIG. 1;
 FIG. 8 is a perspective view of an alternate embodiment of a stroller frame in accordance with the present invention;
 FIG. 9 is a front view of the stroller frame of FIG. 8;
 FIG. 10 is a back view of the stroller frame of FIG. 8;
 FIG. 11 is a side elevational view of a first side of the stroller frame of FIG. 8;
 FIG. 12 is a side elevational view of a second side of the stroller frame of FIG. 8;
 FIG. 13 is a top view of the stroller frame of FIG. 8; and,
 FIG. 14 is a bottom view of the stroller frame of FIG. 8.

1 Claim, 14 Drawing Sheets



(56)

References Cited

U.S. PATENT DOCUMENTS

D721,015 S *	1/2015	Bassan	D12/129
D737,733 S *	9/2015	Zhong	D12/129
D744,381 S *	12/2015	Li	D12/129
D749,992 S	2/2016	Mills	
D765,555 S	9/2016	Lai	
D769,158 S	10/2016	Ruggiero et al.	
2014/0312586 A1 *	10/2014	Cheng	B62B 7/008 280/47.35

* cited by examiner

Fig. 1

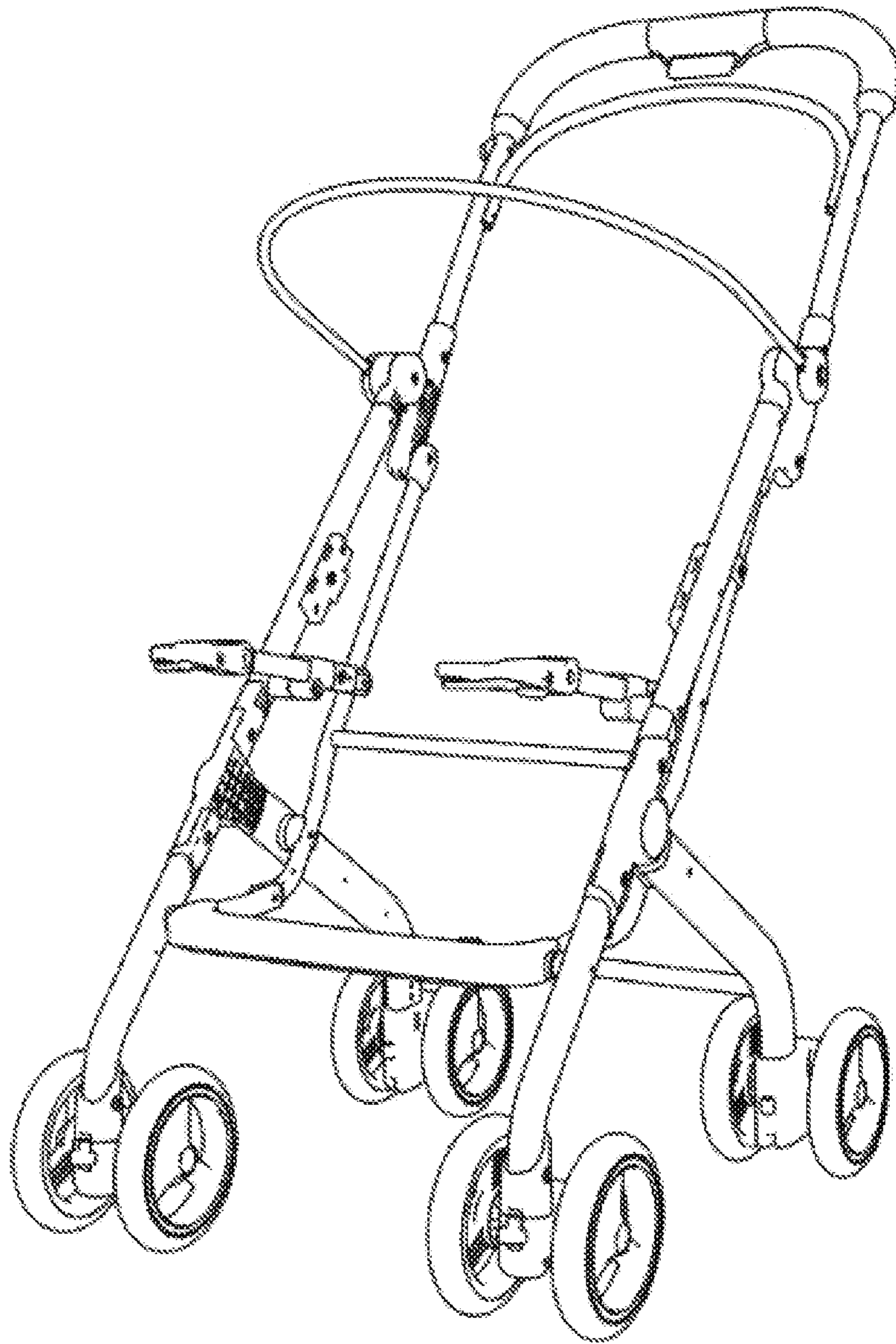


Fig. 2

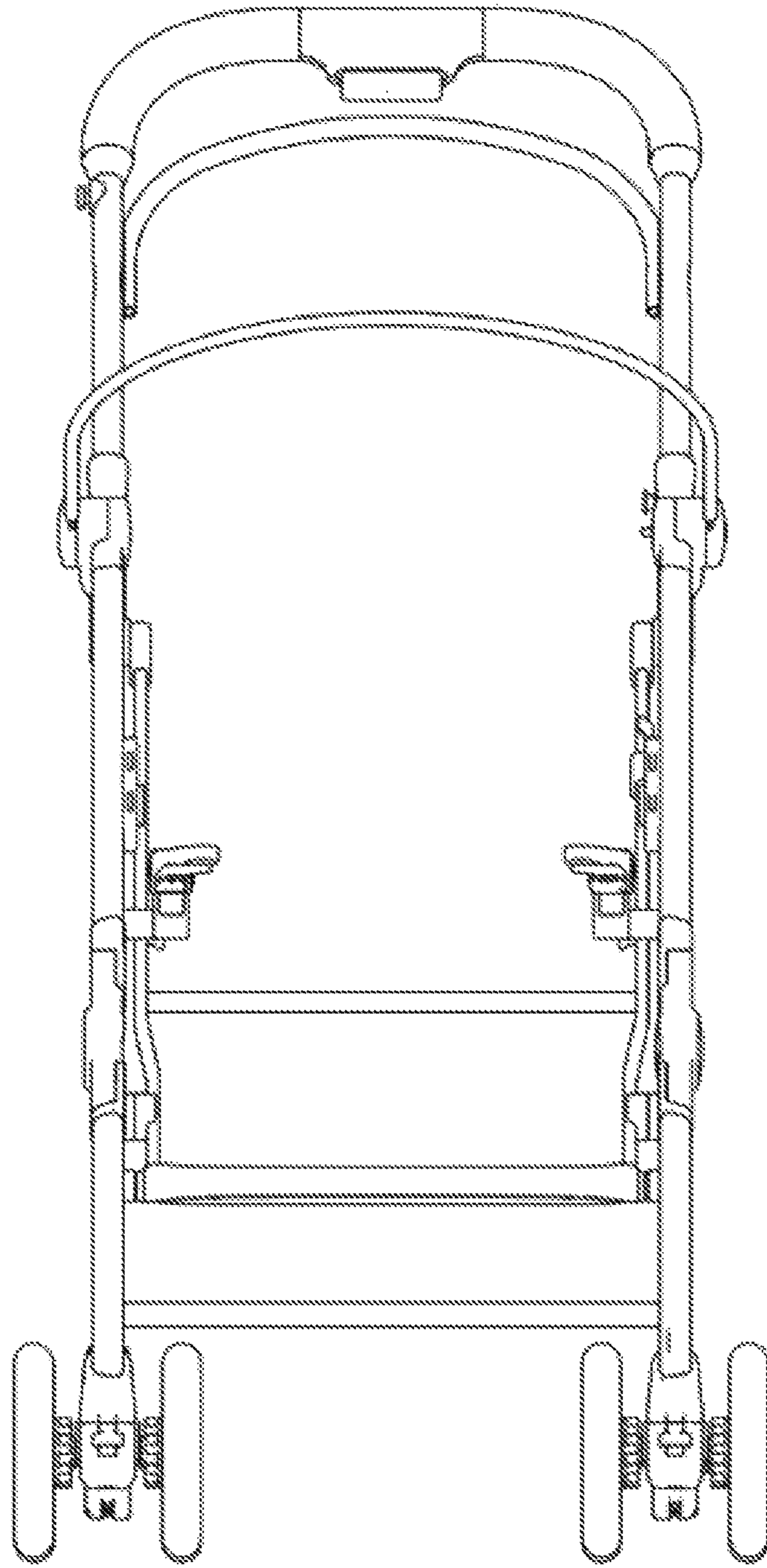


Fig. 3

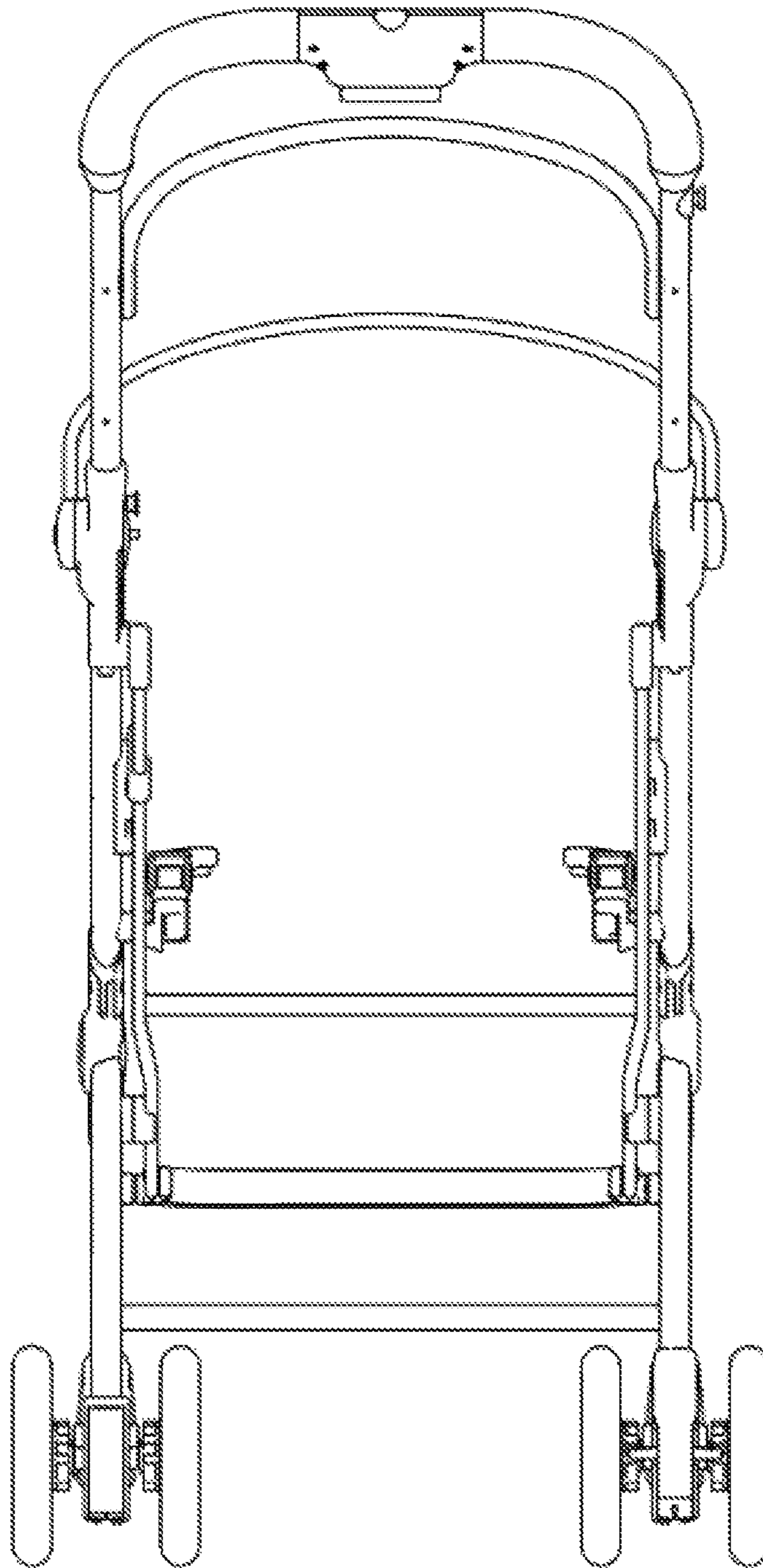


Fig. 4

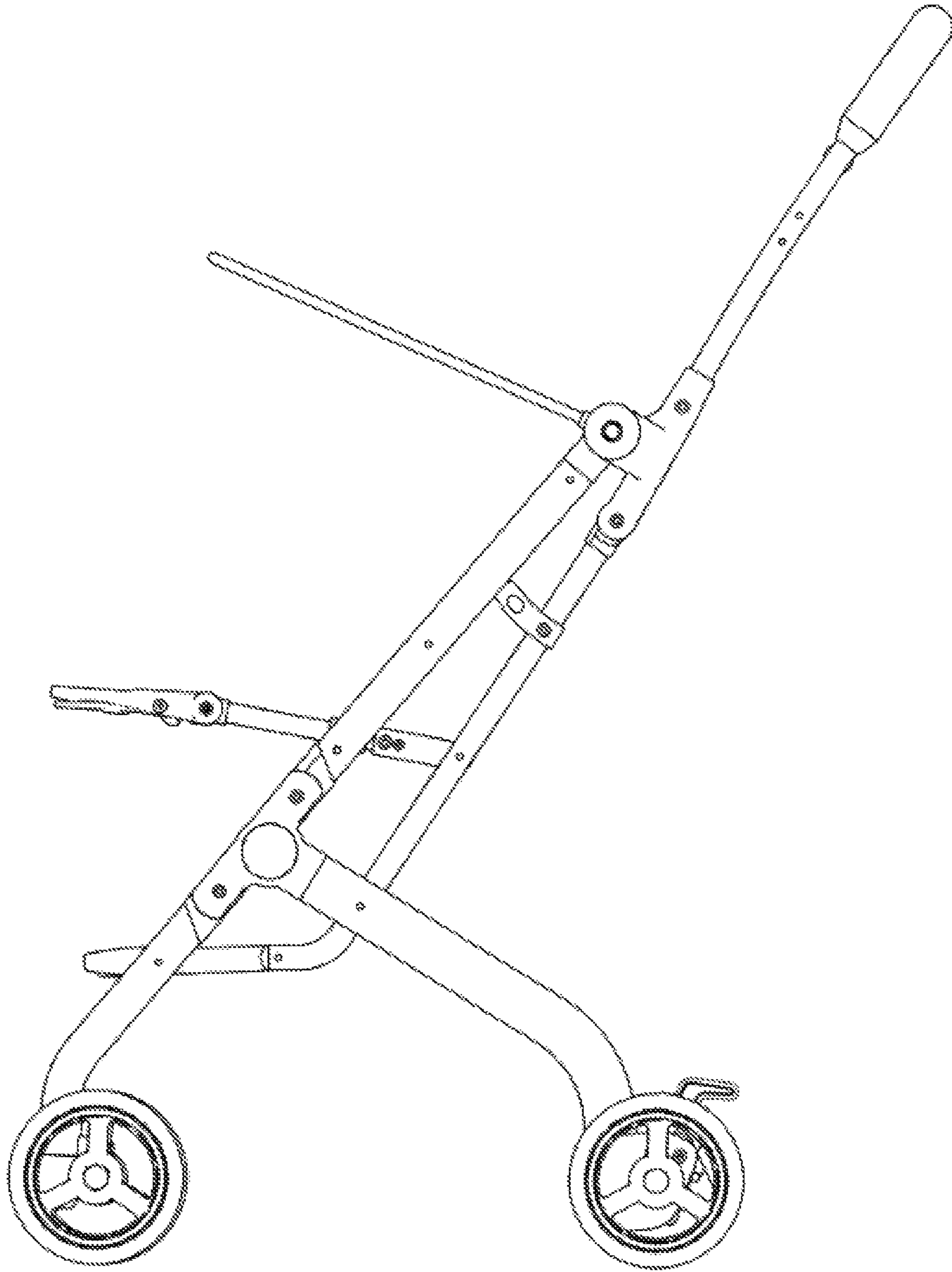


Fig. 5

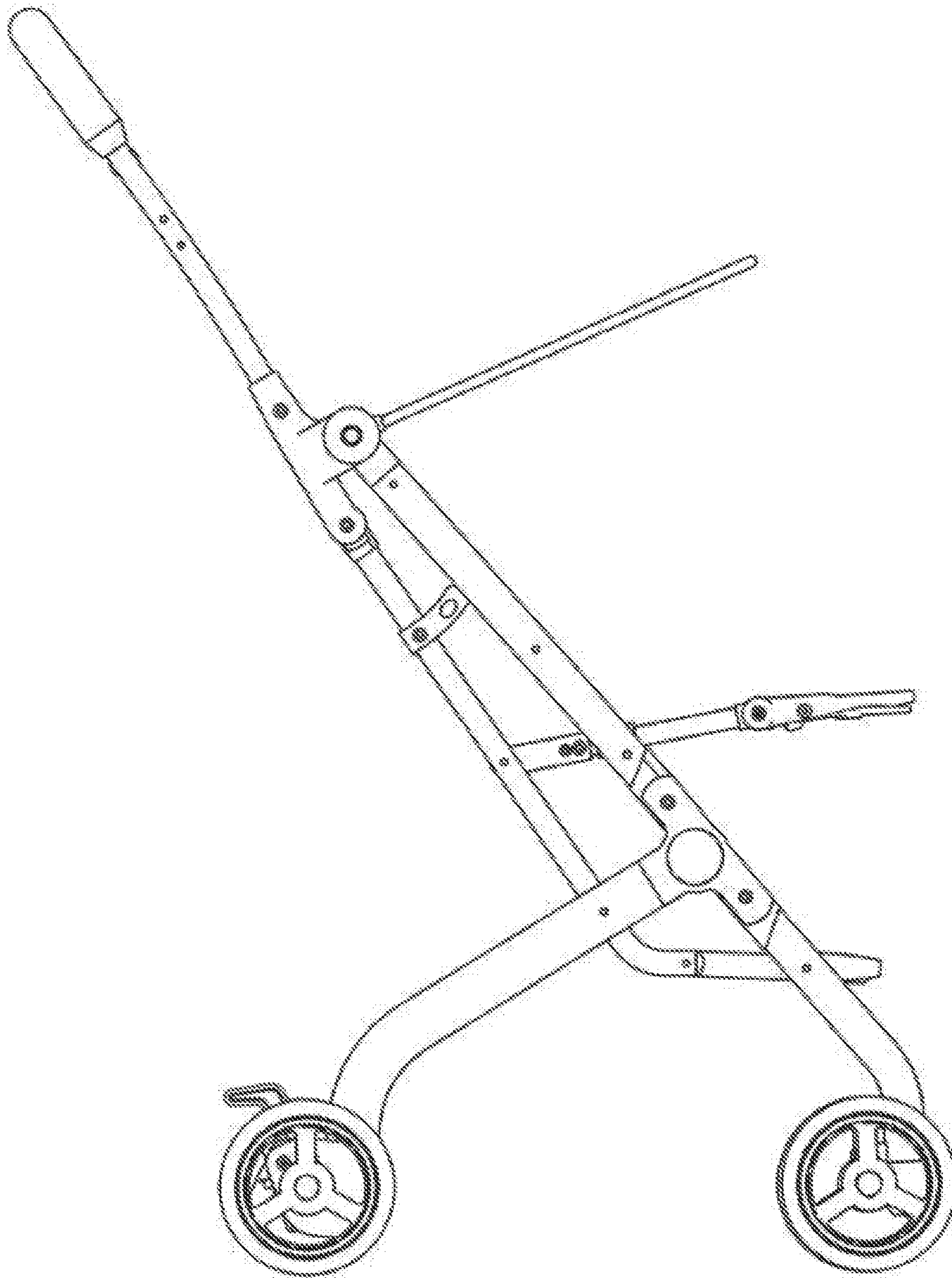


Fig. 6

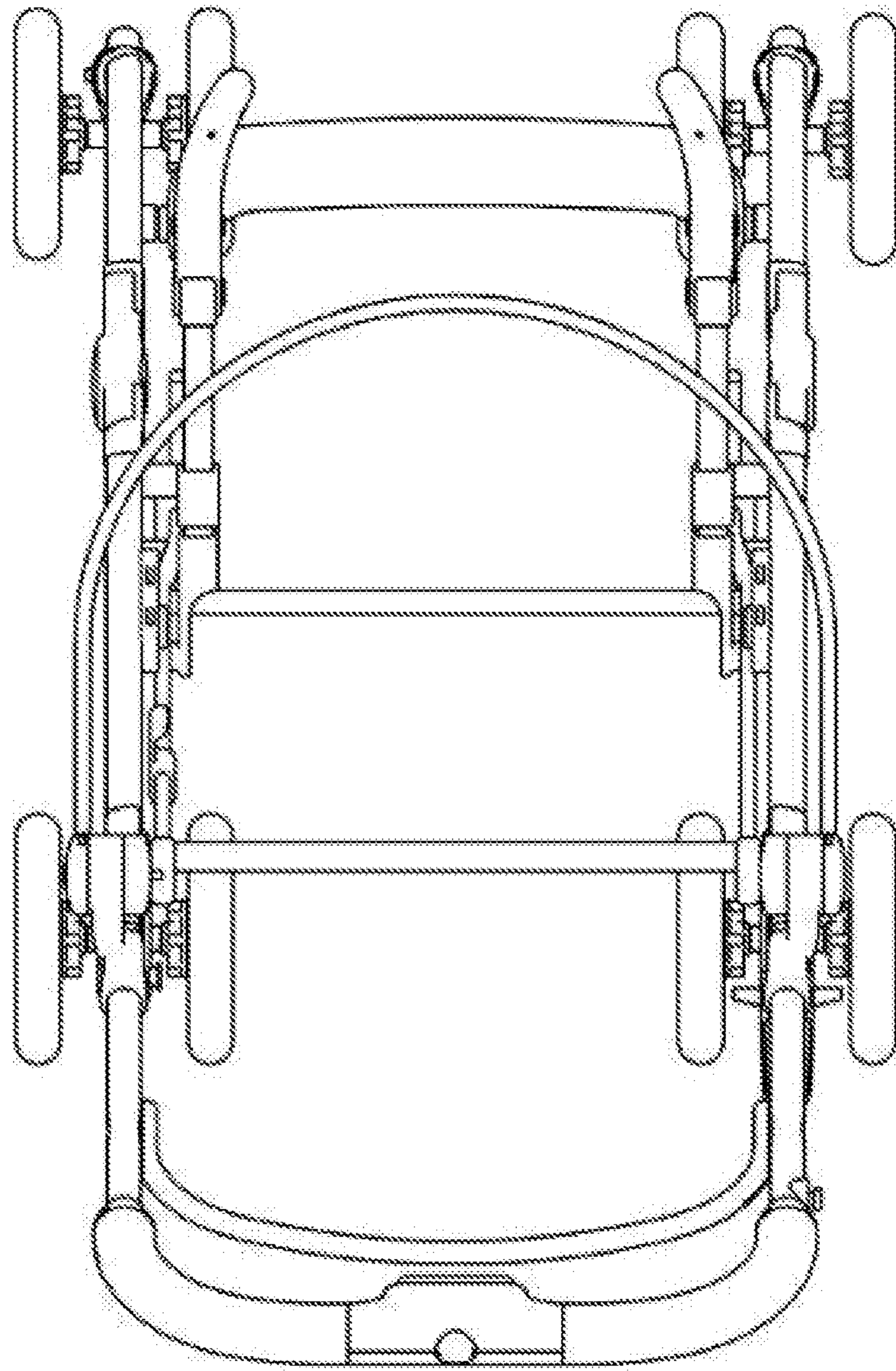


Fig. 7

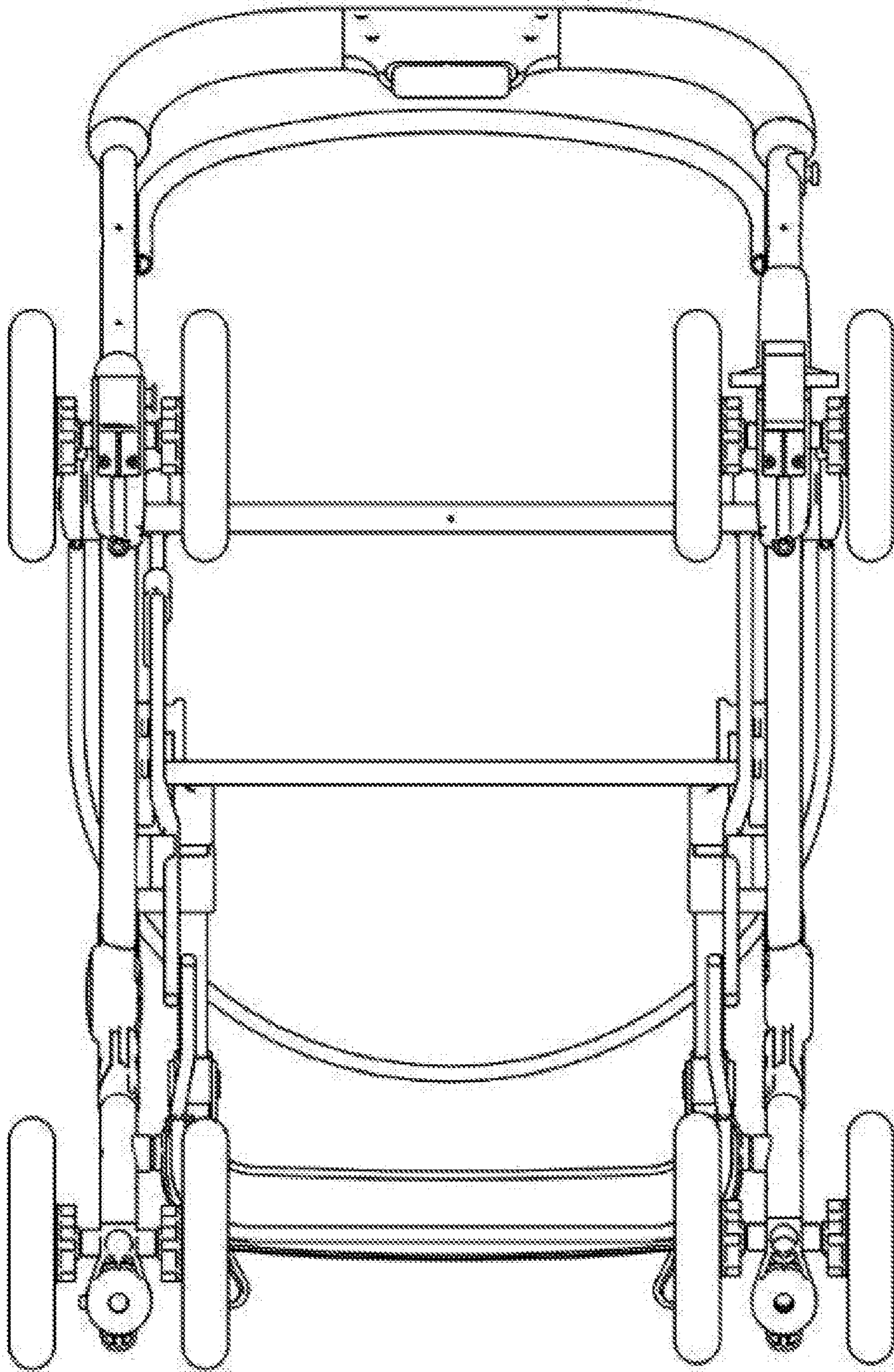


Fig. 8

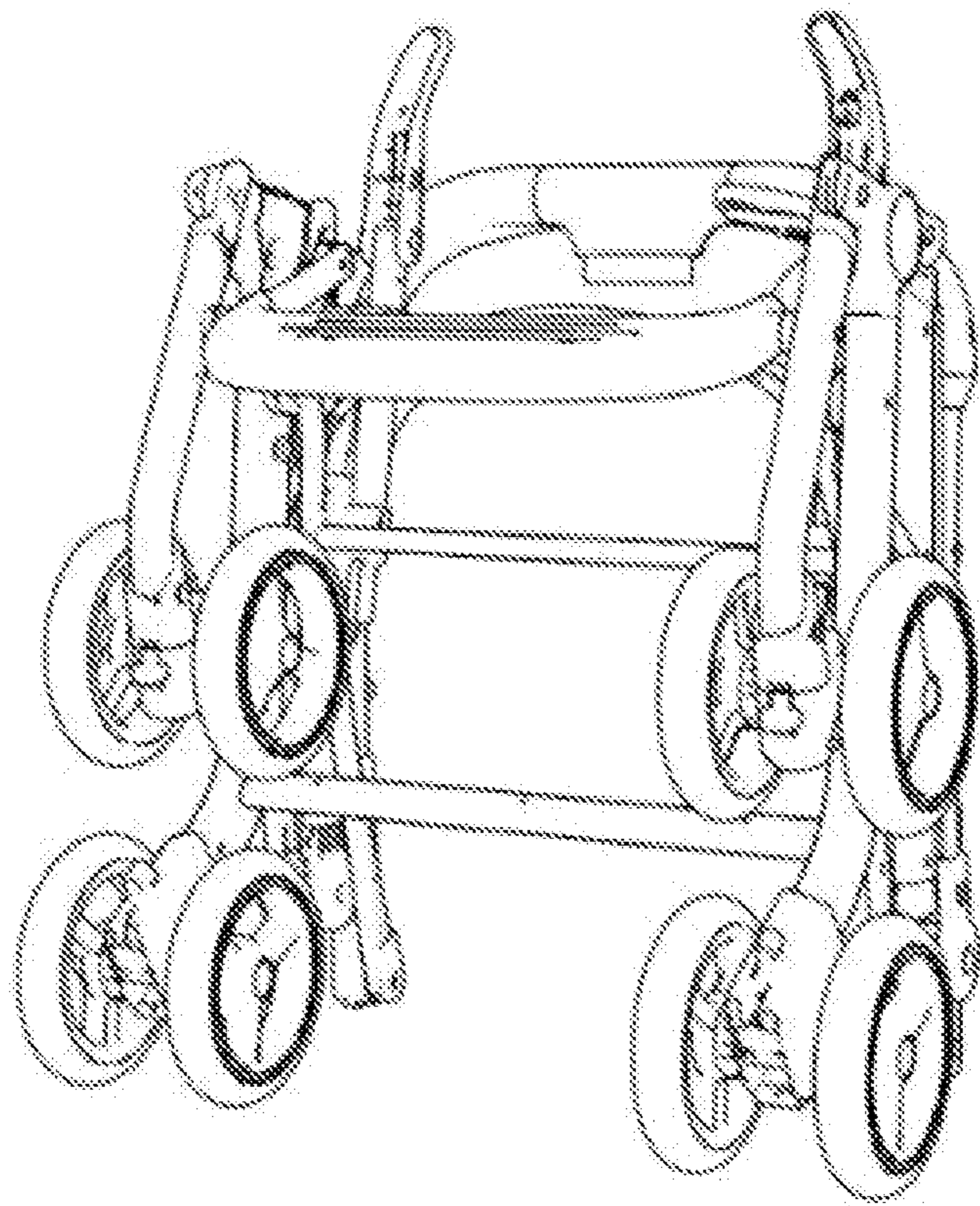


Fig. 9

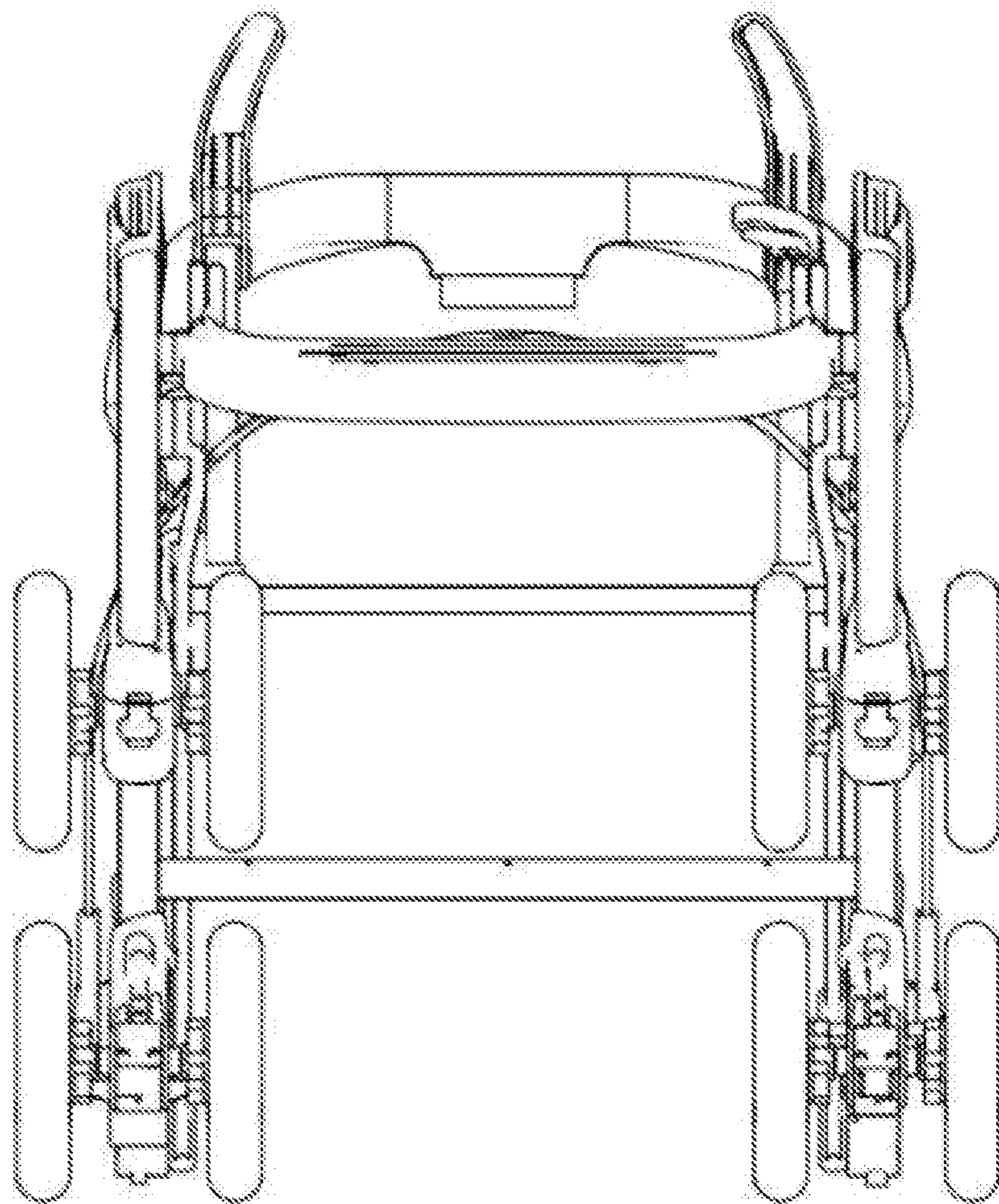


Fig. 10

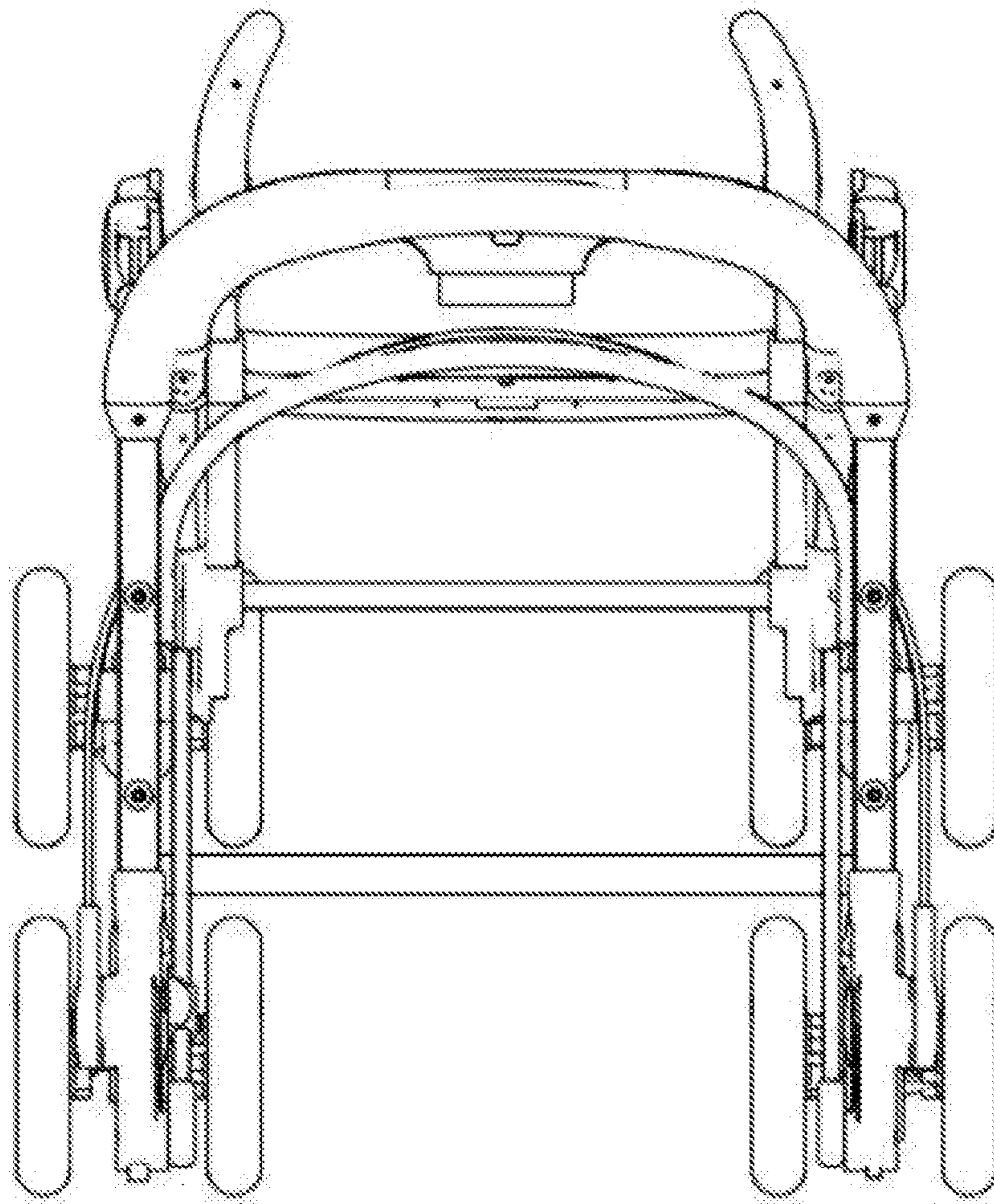


Fig. 11

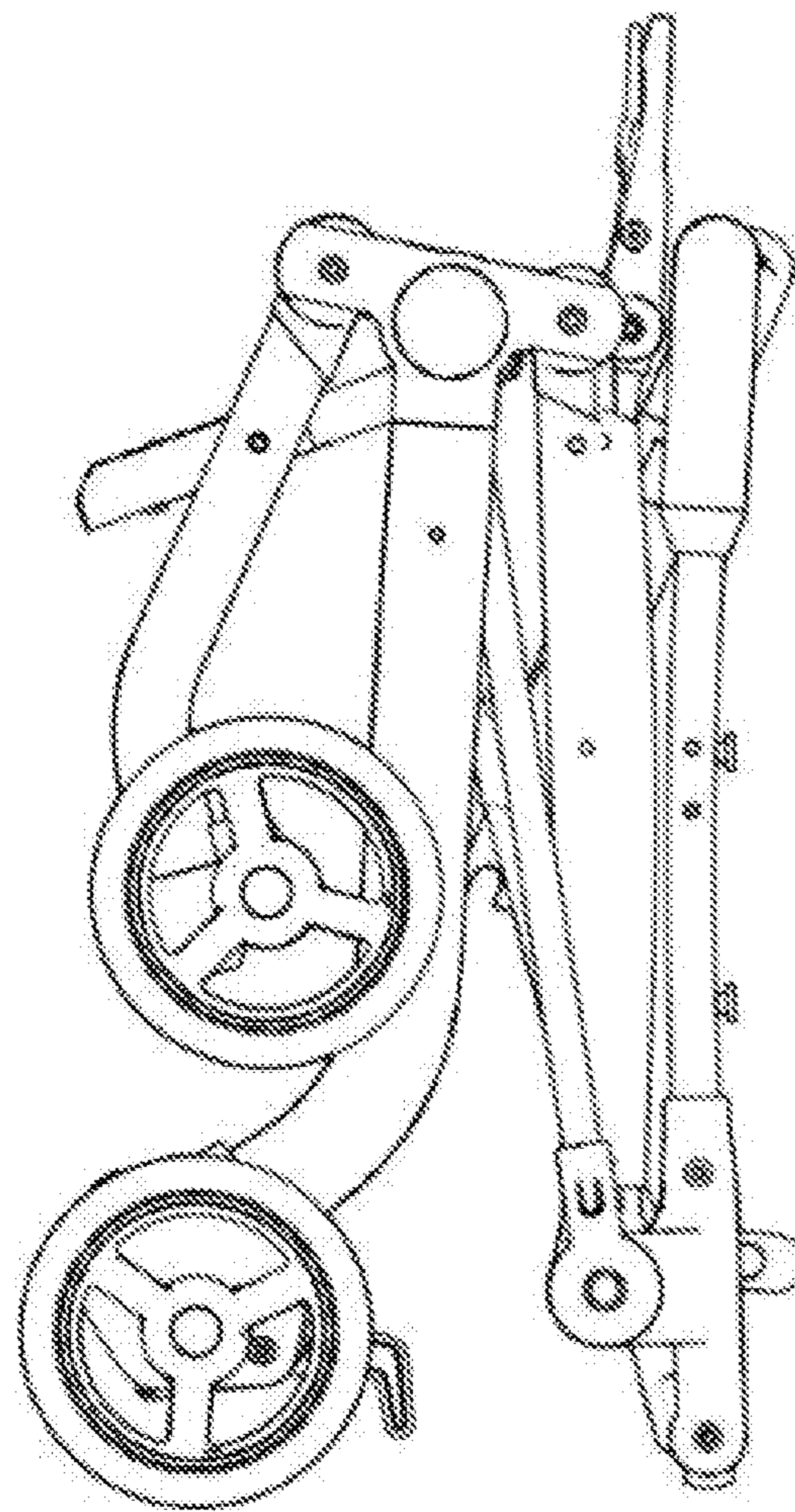


Fig. 12

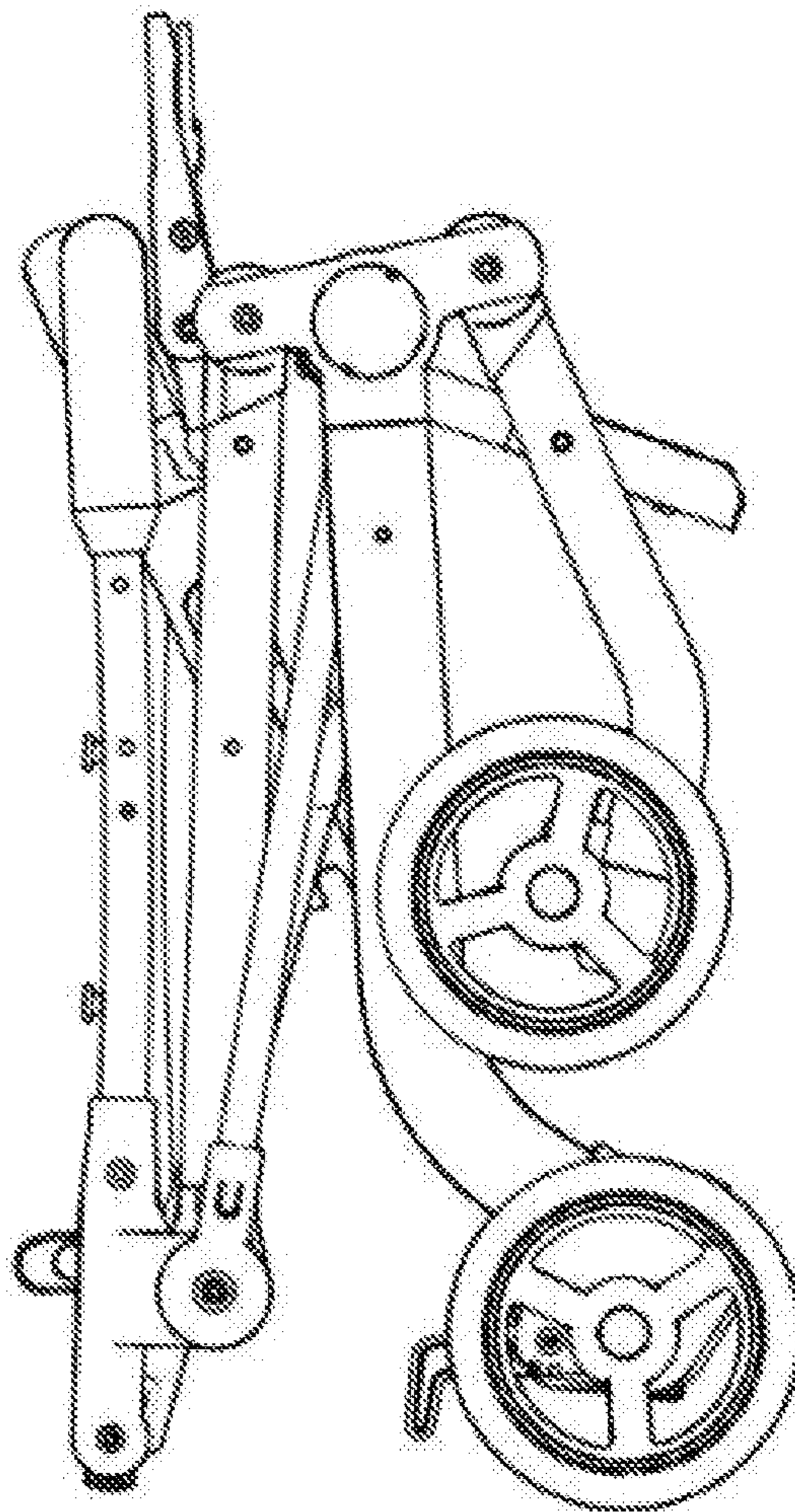


Fig. 13

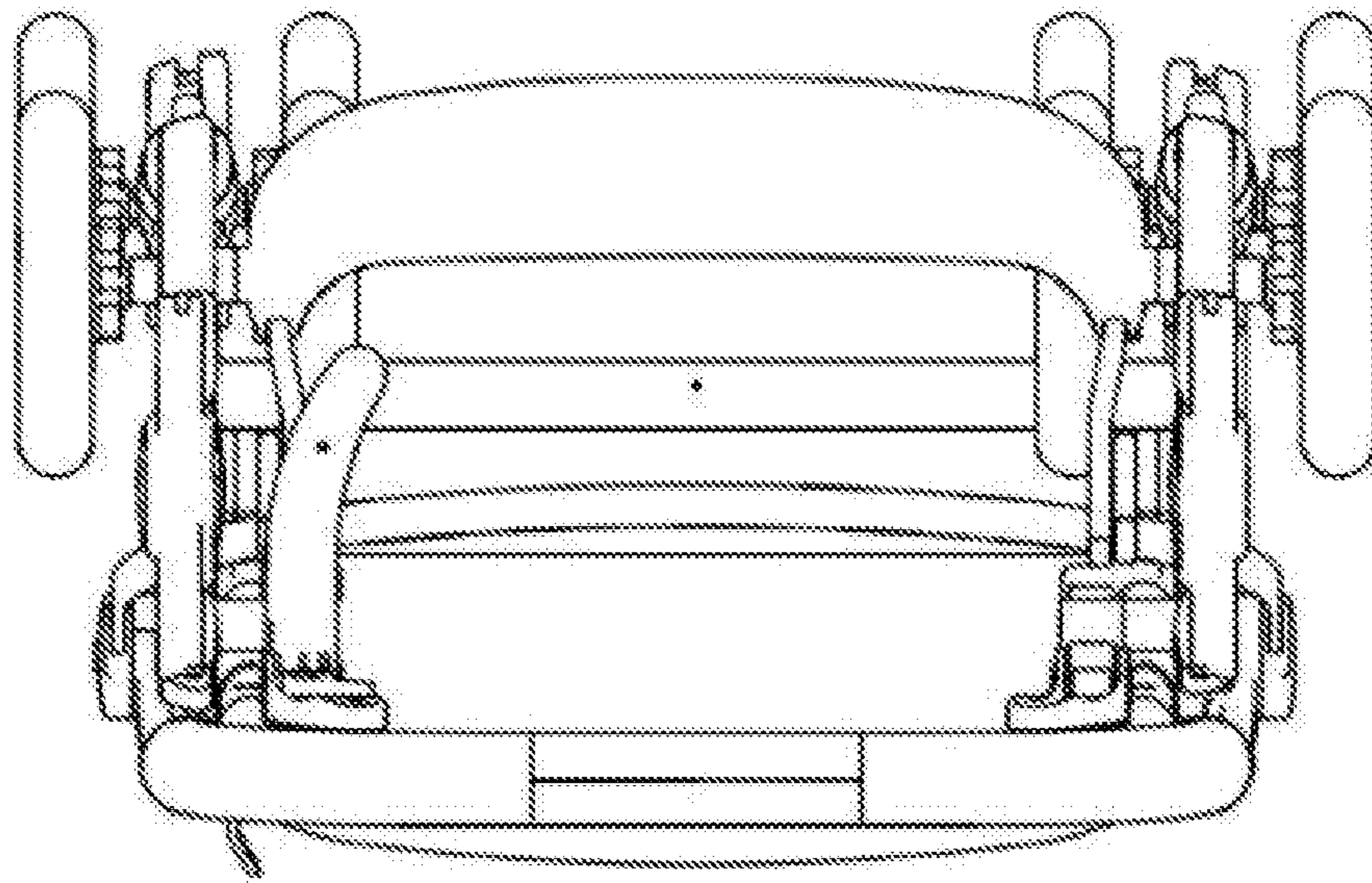


Fig. 14

