

US00D878248S

(12) **United States Design Patent**
King et al.

(10) **Patent No.:** **US D878,248 S**
(45) **Date of Patent:** **** Mar. 17, 2020**

- (54) **TRUCK CAMPER**
- (71) Applicant: **KIMBO CAMPERS LLC**,
Bellingham, WA (US)
- (72) Inventors: **Mark King**, Bellingham, WA (US);
Zachary Forland, Bellingham, WA
(US)
- (73) Assignee: **KIMBO CAMPERS LLC**,
Bellingham, WA (US)
- (**) Term: **15 Years**
- (21) Appl. No.: **29/662,456**
- (22) Filed: **Sep. 5, 2018**
- (51) **LOC (12) Cl.** **12-10**
- (52) **U.S. Cl.**
USPC **D12/102**
- (58) **Field of Classification Search**
USPC D12/101, 102, 401, 402, 403, 404, 405,
D12/83
CPC A47C 31/00; A47C 7/66; A47D 15/00;
A47G 9/068; A23G 9/288; B60P 3/0257;
B60P 3/32; B60P 3/36
See application file for complete search history.

- D444,445 S 7/2001 Schroeder
- D445,068 S * 7/2001 Martin D12/96
- D454,328 S 3/2002 Cornelius
- D464,606 S 10/2002 Soldatelli
- D489,673 S 5/2004 Block
- D514,986 S * 2/2006 Swails D12/101
- D546,731 S * 7/2007 Teague D12/102
- D602,417 S * 10/2009 Connors D12/401
- D602,418 S * 10/2009 Connors D12/401

(Continued)

Primary Examiner — Susan E Krakower
Assistant Examiner — Jerry Shiuian-Hua Hsu
(74) *Attorney, Agent, or Firm* — Fisherbroyles, LLP;
Jason M. Pass

(57) **CLAIM**

We claim the ornamental design for a truck camper, as shown and described.

DESCRIPTION

A portion of the disclosure of this patent document contains material to which a claim for copyright is made. The copyright owner has no objection to the reproduction of the patent document or the patent disclosure, as it appears in the U.S. Patent Office records, but reserves all other copyright rights whatsoever.

FIG. 1 is a front, left perspective view of a truck camper, according to our design;

FIG. 2 is a front view of the truck camper of FIG. 1;

FIG. 3 is a left side view of the truck camper of FIG. 1;

FIG. 4 is a right side view of the truck camper of FIG. 1;

FIG. 5 is a rear view of the truck camper of FIG. 1;

FIG. 6 is a rear, right side perspective view of the camper of FIG. 1;

FIG. 7 is a top view of the camper of FIG. 1; and,

FIG. 8 is a bottom view of the truck camper of FIG. 1.

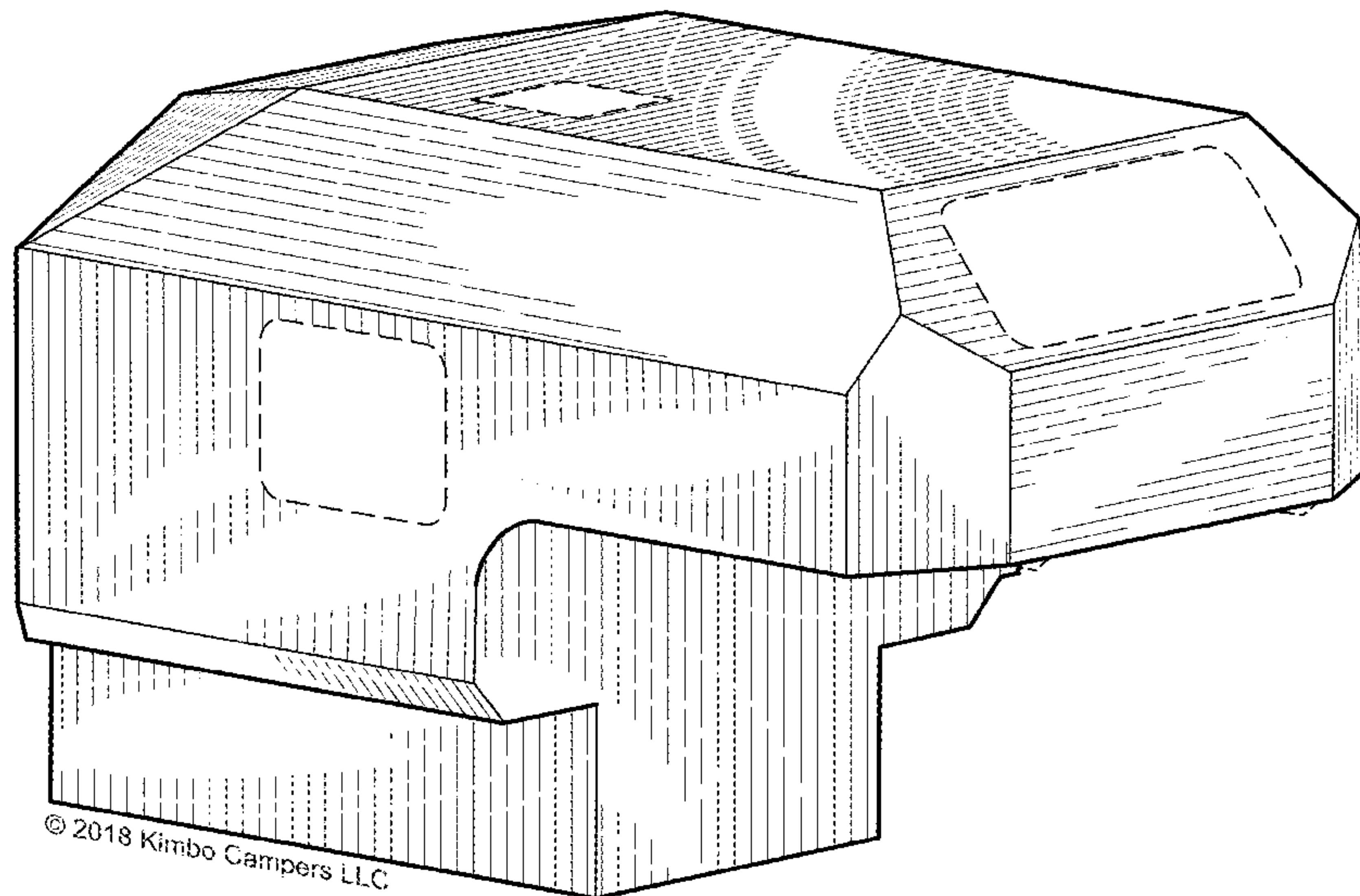
The broken lines shown in the drawings illustrate portions of the truck camper that form no part of the claimed design.

1 Claim, 8 Drawing Sheets

(56) **References Cited**

U.S. PATENT DOCUMENTS

- D249,675 S * 9/1978 Mashigan D12/405
- D254,971 S * 5/1980 Riddle D12/401
- 4,616,871 A * 10/1986 Pettit B60P 3/32
160/105
- D330,183 S * 10/1992 Zoromski D12/405
- D342,700 S * 12/1993 Vernese D12/102
- D351,823 S * 10/1994 Lewellen D12/405
- D388,049 S 12/1997 Reardon
- D421,956 S * 3/2000 Aubut D12/401
- D431,225 S 9/2000 Perlman et al.
- 6,155,279 A * 12/2000 Humphrey B60P 3/32
135/87



© 2018 Kimbo Campers LLC

(56)

References Cited

U.S. PATENT DOCUMENTS

D610,067	S	2/2010	Frankham	
D619,077	S	7/2010	Frankham	
D619,078	S	7/2010	Frankham	
D638,343	S *	5/2011	Kramer	D12/403
D680,942	S *	4/2013	Champe	D12/405
D693,288	S *	11/2013	Martinez	D12/401
D748,038	S	1/2016	Bennett	
D812,545	S	3/2018	Donohoe	
D836,532	S *	12/2018	King	D12/404
D852,113	S *	6/2019	Williams	D12/404
2008/0174146	A1 *	7/2008	McCarthy	B60P 3/32 296/164
2015/0145279	A1 *	5/2015	Eickhoff	B60P 3/36 296/167

* cited by examiner

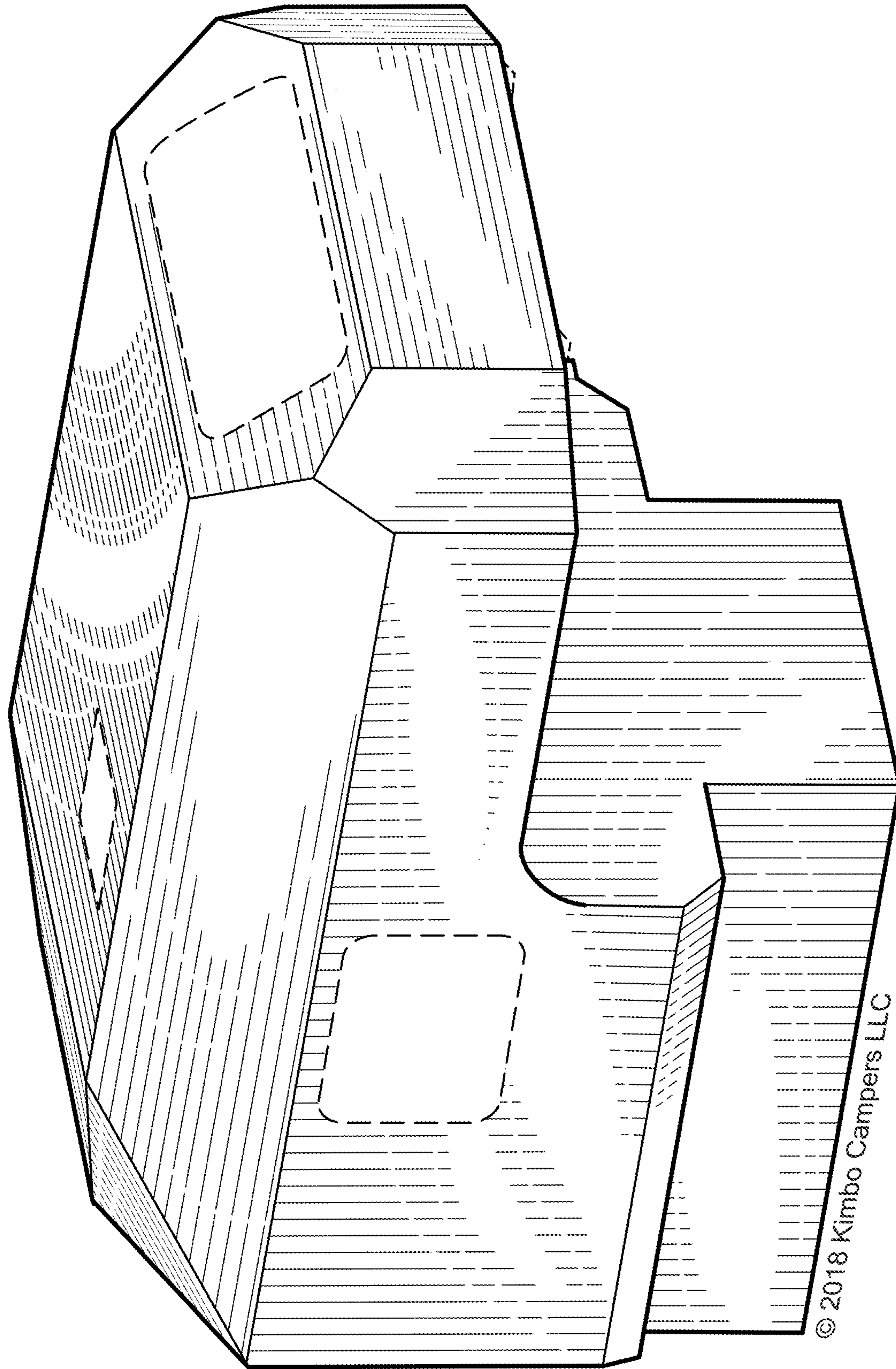
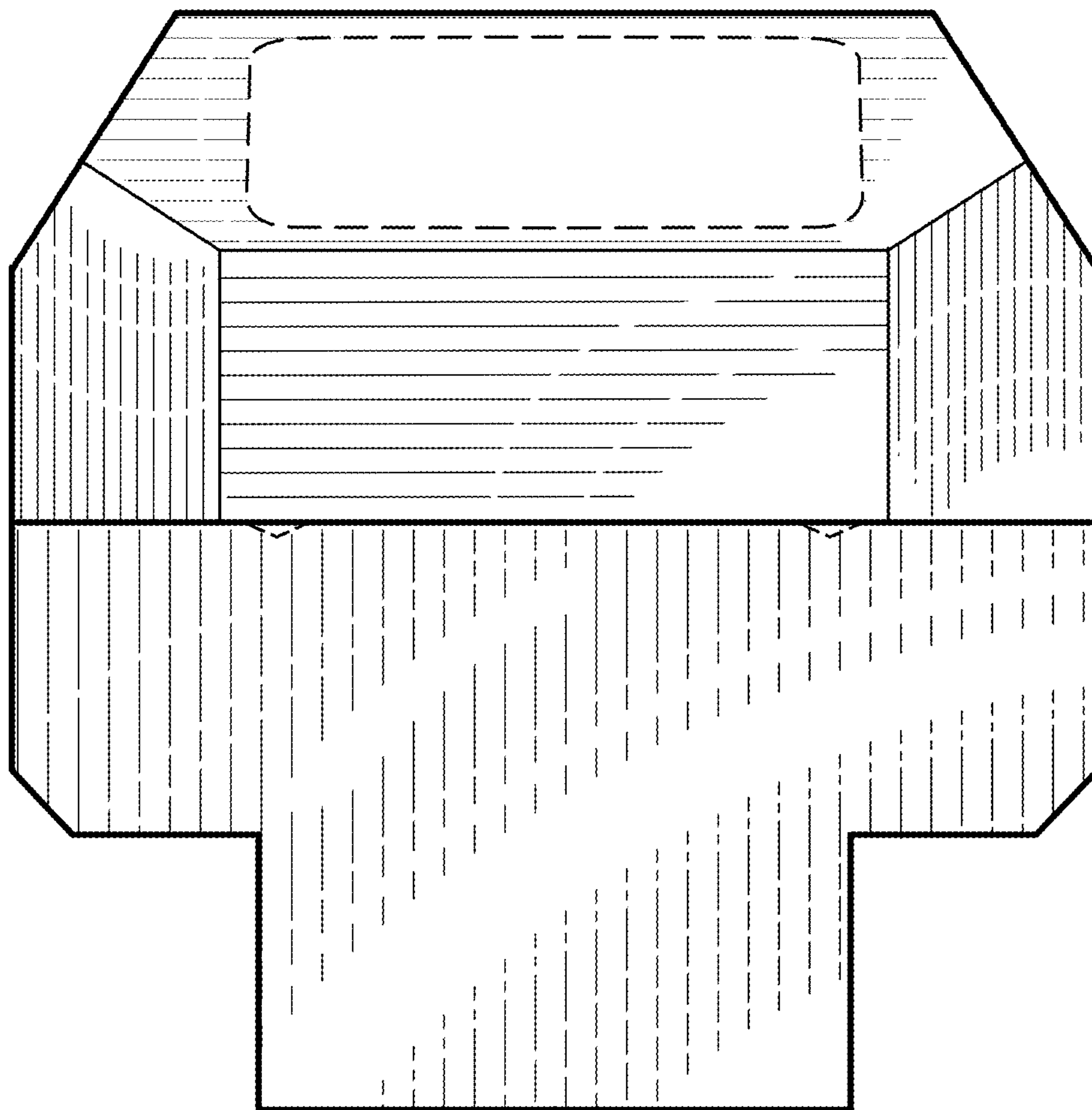


FIG. 1

© 2018 Kimbo Campers LLC



© 2018 Kimbo Campers LLC

FIG. 2

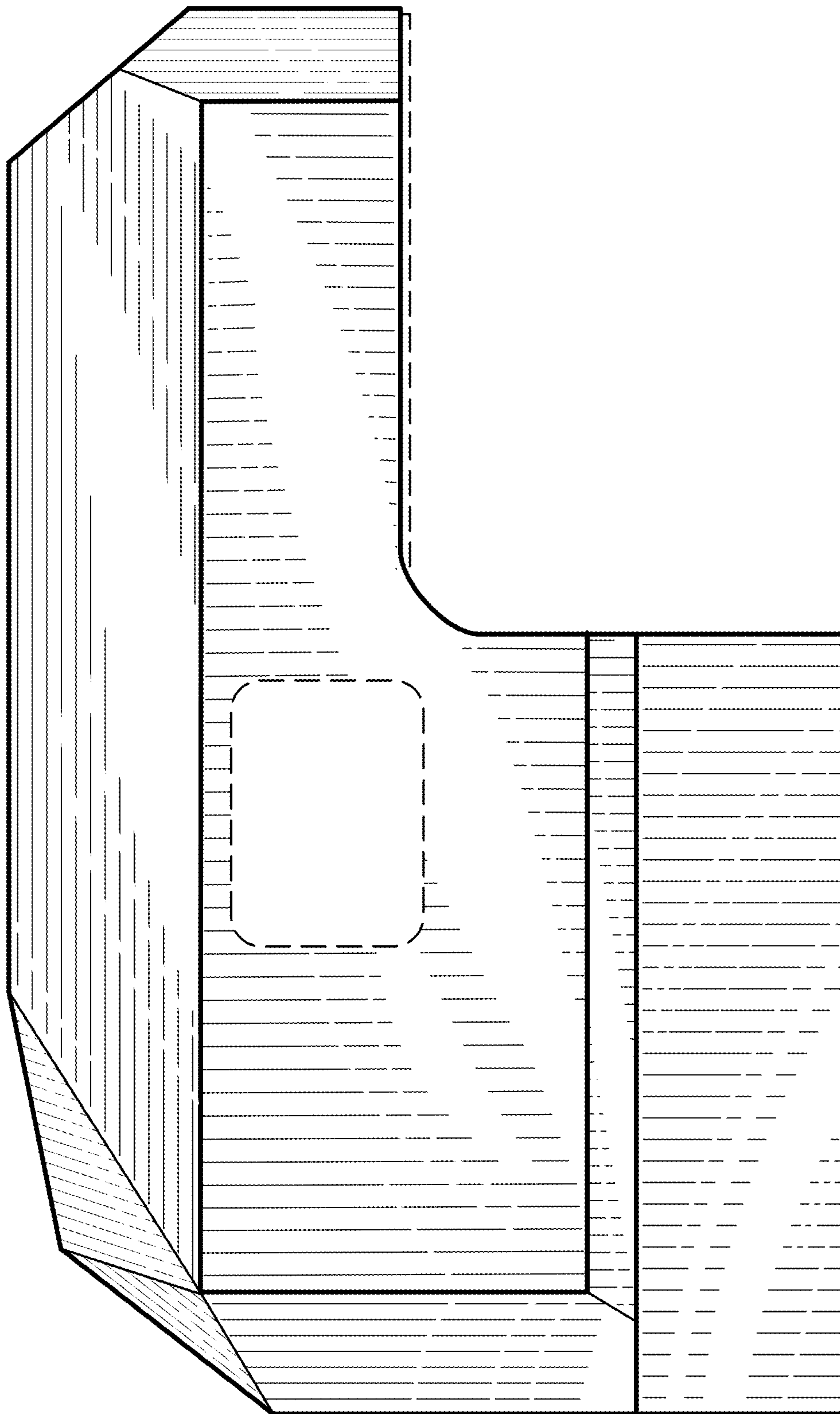


FIG. 3

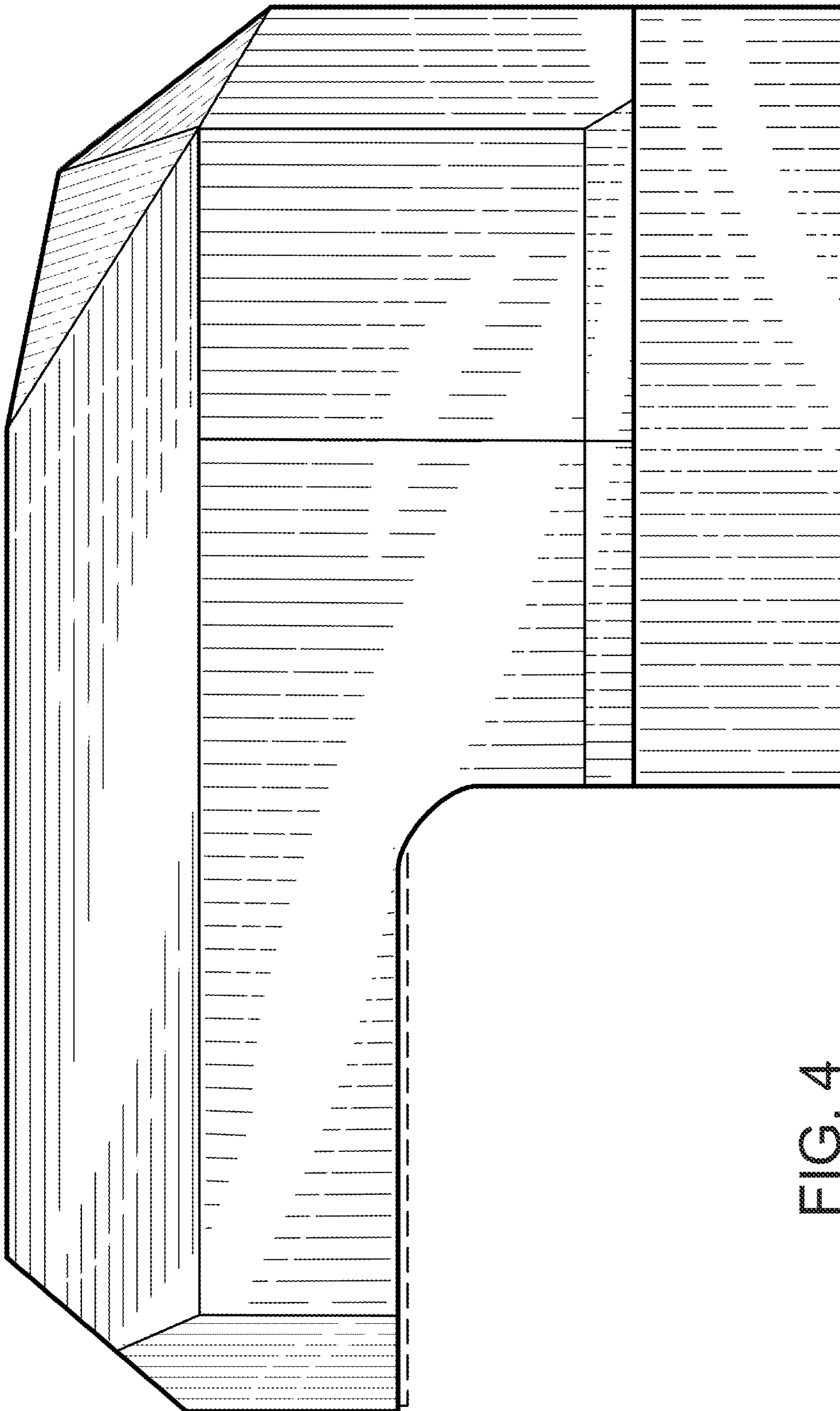
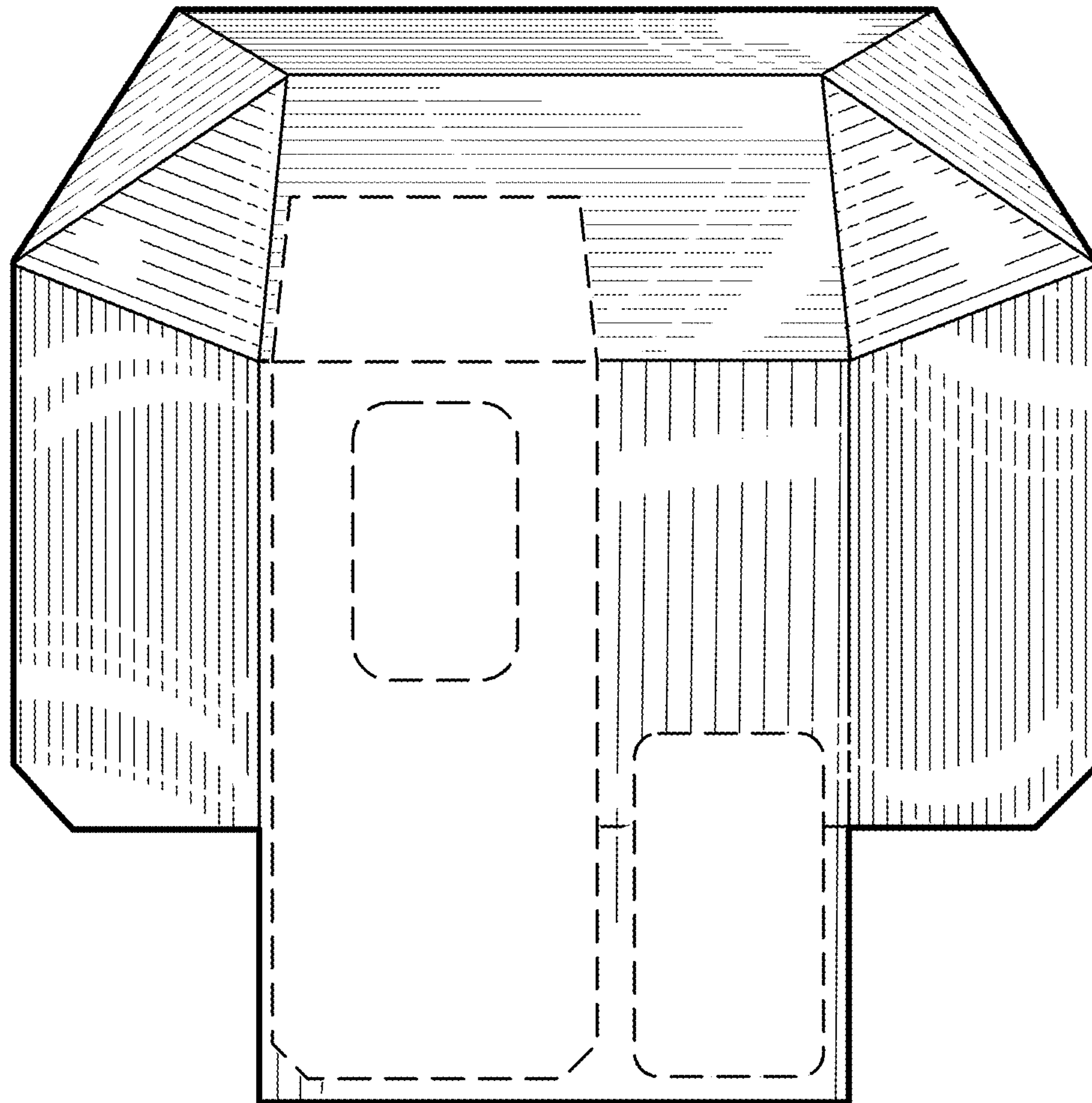


FIG. 4

© 2018 Kimbo Campers LLC



© 2018 Kimbo Campers LLC

FIG. 5

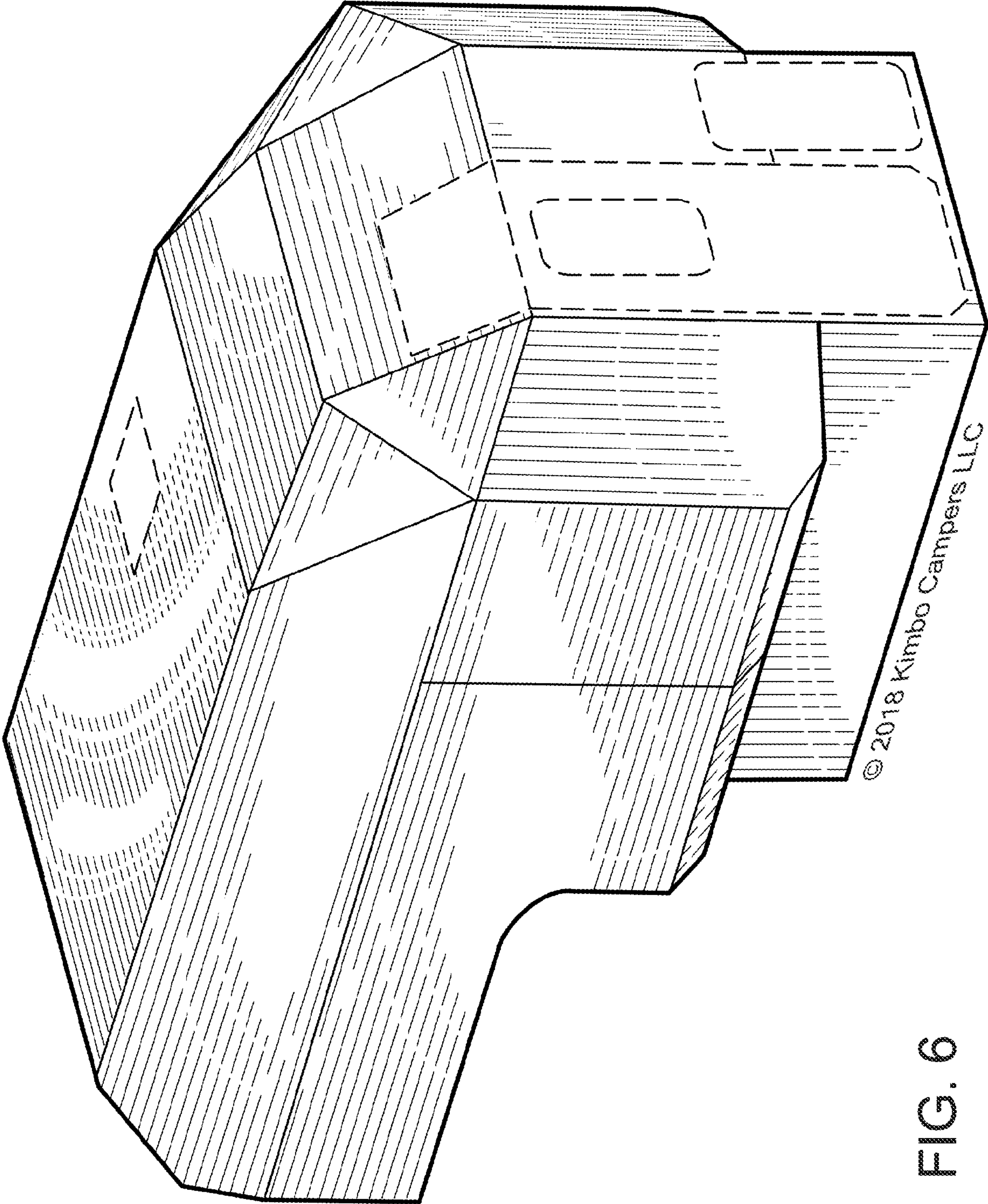
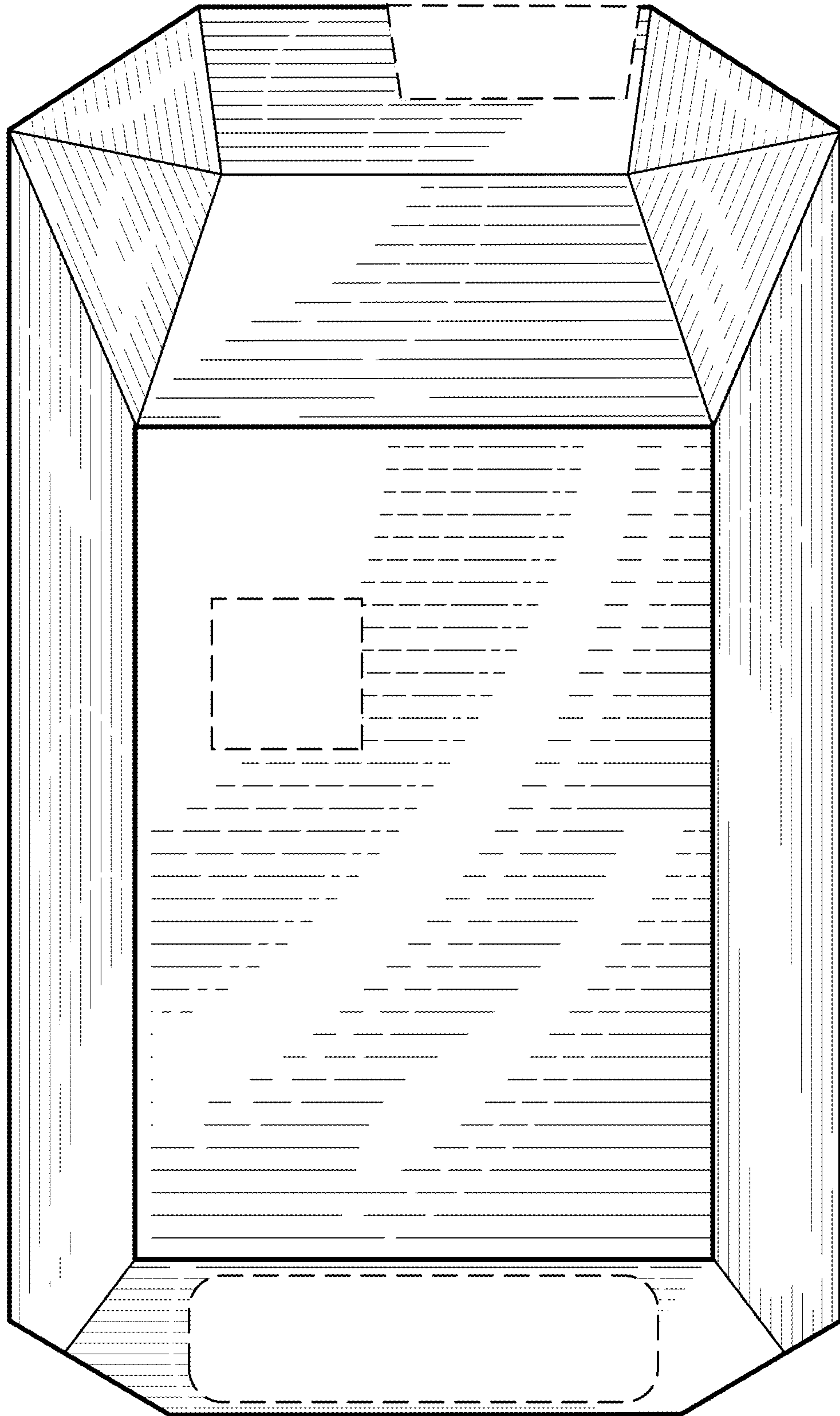
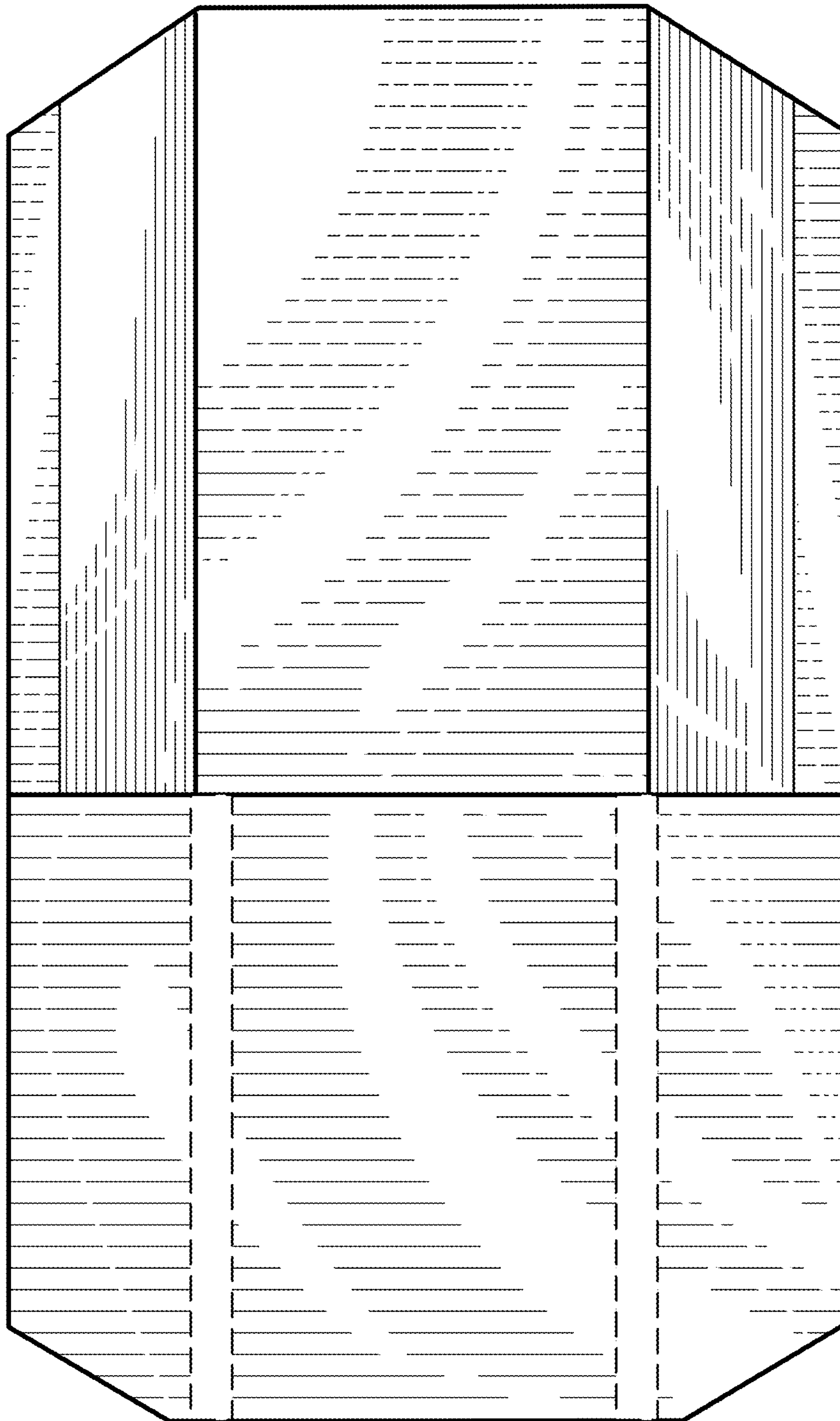


FIG. 6



© 2018 Kimbo Campers LLC

FIG. 7



© 2018 Kimbo Campers LLC

FIG. 8