



US00D878245S

(12) **United States Design Patent**  
**Lamanna**

(10) **Patent No.:** **US D878,245 S**  
(45) **Date of Patent:** **\*\* Mar. 17, 2020**

- (54) **BUS**
- (71) Applicant: **ALSTOM APTIS**, Duppigheim (FR)
- (72) Inventor: **Franck Lamanna**, Marlenheim (FR)
- (\*\*) Term: **15 Years**
- (21) Appl. No.: **35/505,782**
- (22) Filed: **Jun. 19, 2018**
- (80) **Hague Agreement Data**  
 Int. Filing Date: **Jun. 19, 2018**  
 Int. Reg. No.: **DM/102926**  
 Int. Reg. Date: **Jun. 19, 2018**  
 Int. Reg. Pub. Date: **Oct. 5, 2018**
- (51) **LOC (12) Cl.** ..... **12-08**
- (52) **U.S. Cl.**  
USPC ..... **D12/84**
- (58) **Field of Classification Search**  
USPC ..... D12/82, 84, 86, 92, 100  
 CPC ..... B62D 23/00; B62D 25/00; B62D 31/02;  
 B62D 31/04; B62D 53/062; B62D 65/00;  
 B60G 2202/152; B60G 2300/14; B60P  
 3/007; B21D 53/88  
 See application file for complete search history.

(56) **References Cited**

**U.S. PATENT DOCUMENTS**

D248,033	S	*	5/1978	James	.....	D12/84
D254,609	S	*	4/1980	Neal	.....	D12/84
D255,340	S	*	6/1980	Flesche	.....	D12/84
D257,141	S	*	9/1980	Flesche	.....	D12/84
D268,997	S	*	5/1983	Dubernard	.....	D12/84
D302,802	S	*	8/1989	Manning	.....	D12/84
D305,623	S	*	1/1990	Gallitzendoerfer	.....	D12/84

D345,120	S	*	3/1994	Normand, Jr.	.....	D12/84
D376,562	S	*	12/1996	Sealy	.....	D12/84
5,669,307	A	*	9/1997	Cichy	.....	B61B 1/02 104/28
D442,888	S	*	5/2001	Papke	.....	D12/84
D503,126	S	*	3/2005	Papke	.....	D12/84
D531,933	S	*	11/2006	Delamour	.....	D12/84
D537,755	S	*	3/2007	Toth	.....	D12/84
D617,236	S	*	6/2010	Counts	.....	D12/84
D637,520	S	*	5/2011	Kerr	.....	D12/84
D642,092	S	*	7/2011	Wiens	.....	D12/84
D704,595	S	*	5/2014	Streicher	.....	D12/84
D714,187	S	*	9/2014	Lian	.....	D12/84
D717,210	S	*	11/2014	Wang	.....	D12/84
D718,659	S	*	12/2014	Lin	.....	D12/84
D721,297	S	*	1/2015	Zhang	.....	D12/84
D721,298	S	*	1/2015	Li	.....	D12/84
2009/0224570	A1	*	9/2009	Haswell	.....	B62D 31/04 296/178
2012/0161469	A1	*	6/2012	Kerr	.....	B62D 31/02 296/178

\* cited by examiner

*Primary Examiner* — Darlington Ly

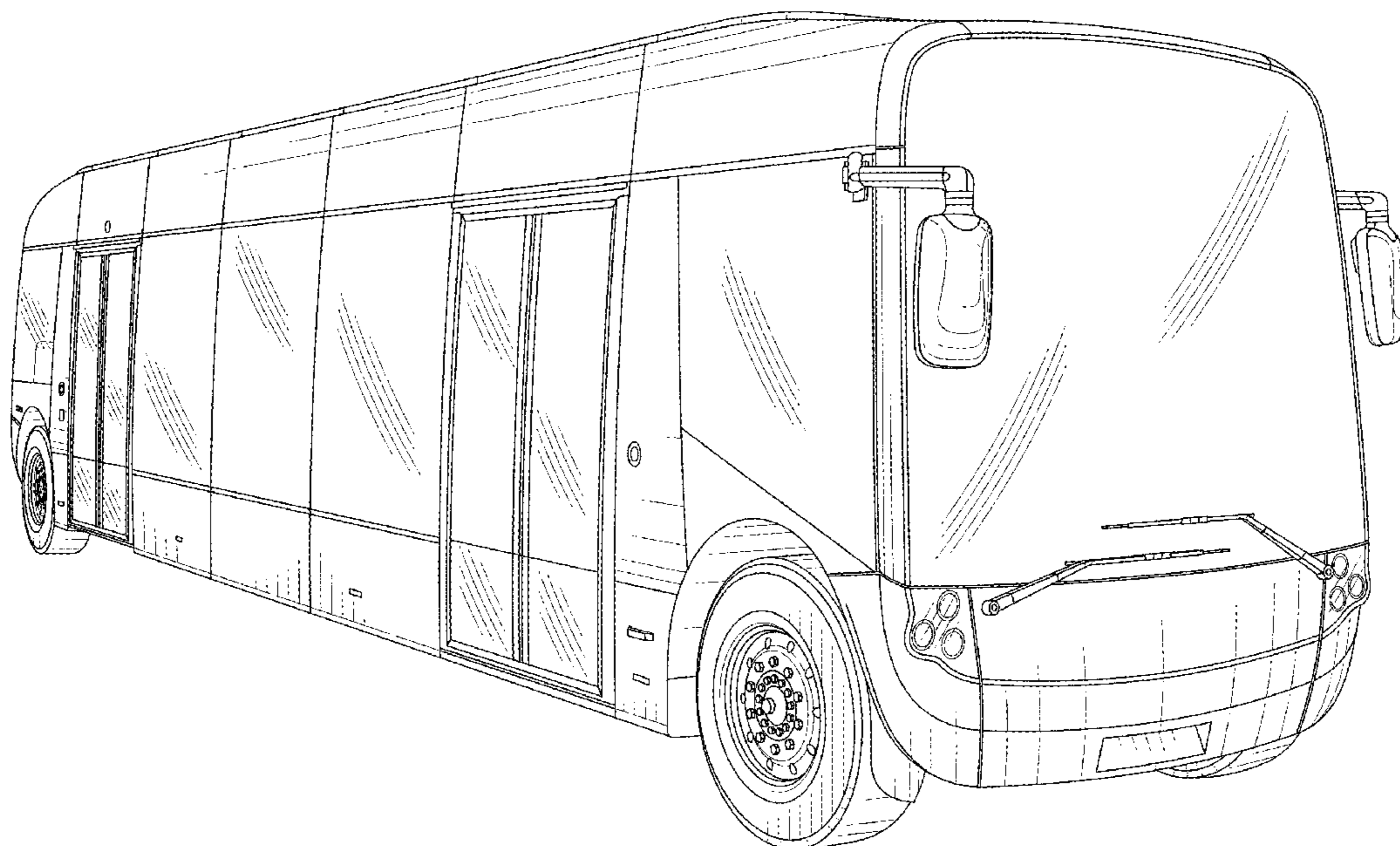
(57) **CLAIM**

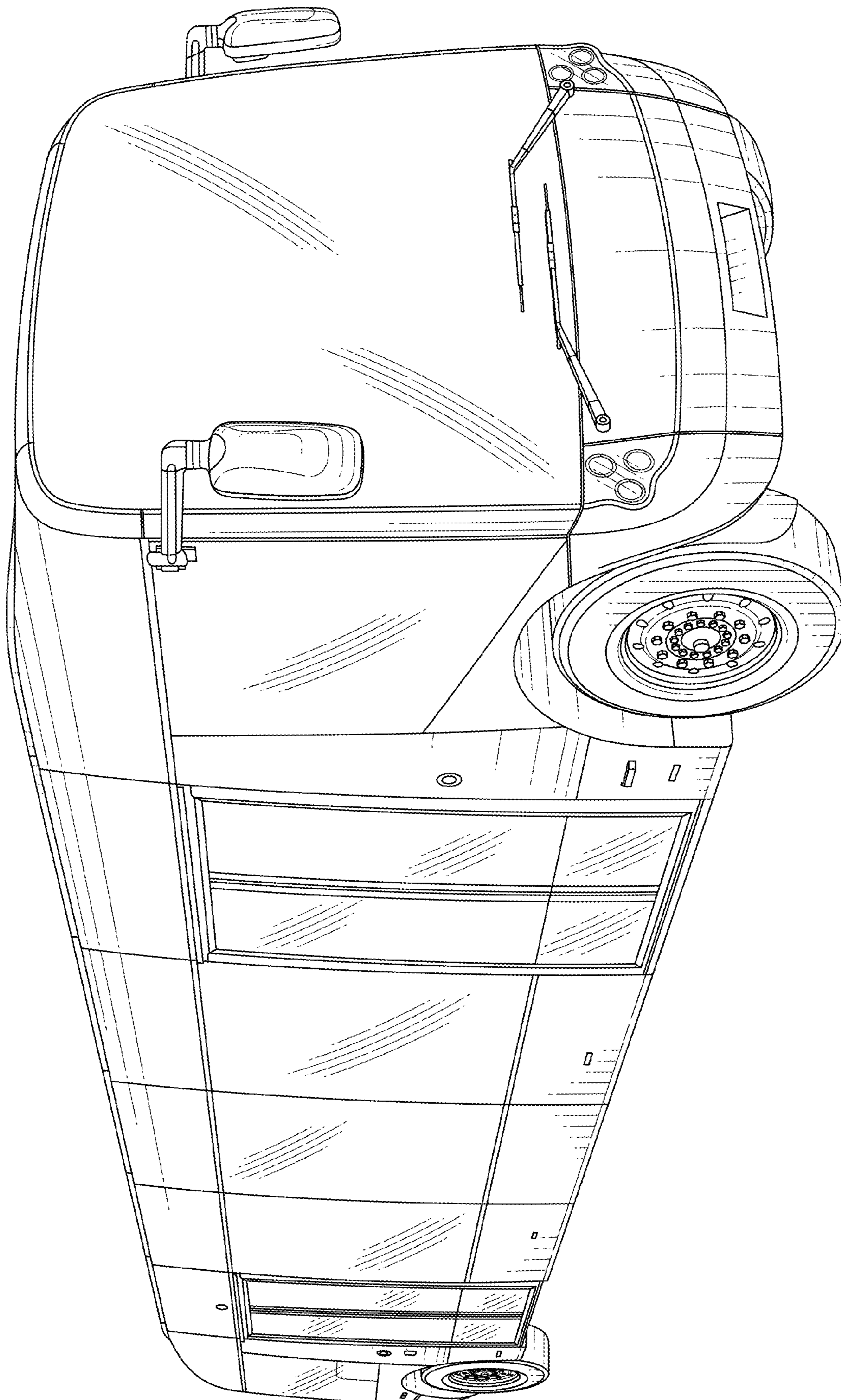
The ornamental design for a bus, as shown and described.

**DESCRIPTION**

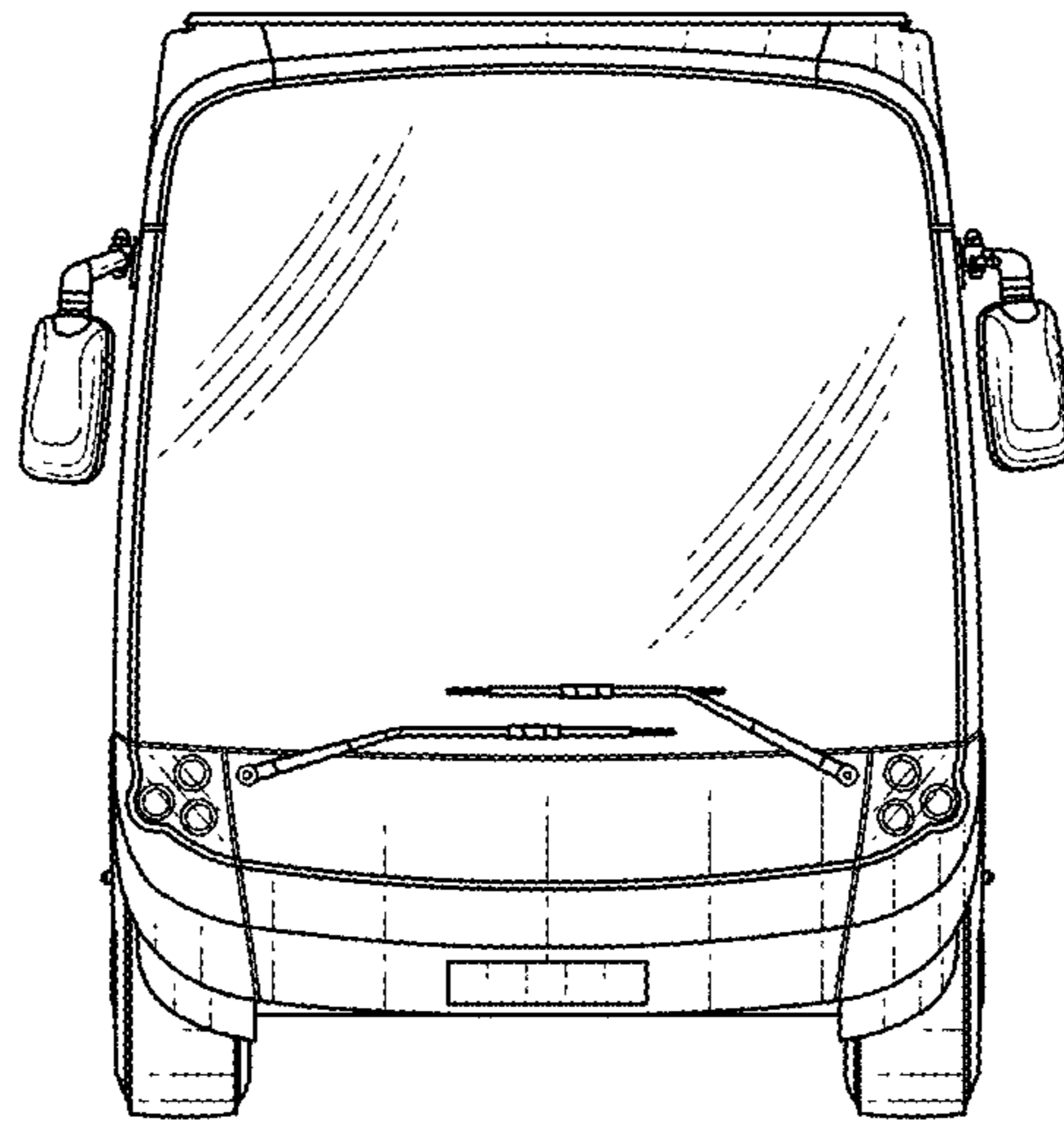
FIG. 1.1 is a front and right side perspective view of a bus, in accordance with the present design;  
 FIG. 1.2 is a front elevation view thereof;  
 FIG. 1.3 is a right side elevation view thereof;  
 FIG. 1.4 is a front and left side perspective view thereof;  
 FIG. 1.5 is a rear and left side perspective view thereof;  
 FIG. 1.6 is a rear elevation view thereof;  
 FIG. 1.7 is a left side elevation view thereof;  
 FIG. 1.8 is a rear and right side perspective view thereof; and  
 FIG. 1.9 is a top plan view thereof.

**1 Claim, 9 Drawing Sheets**

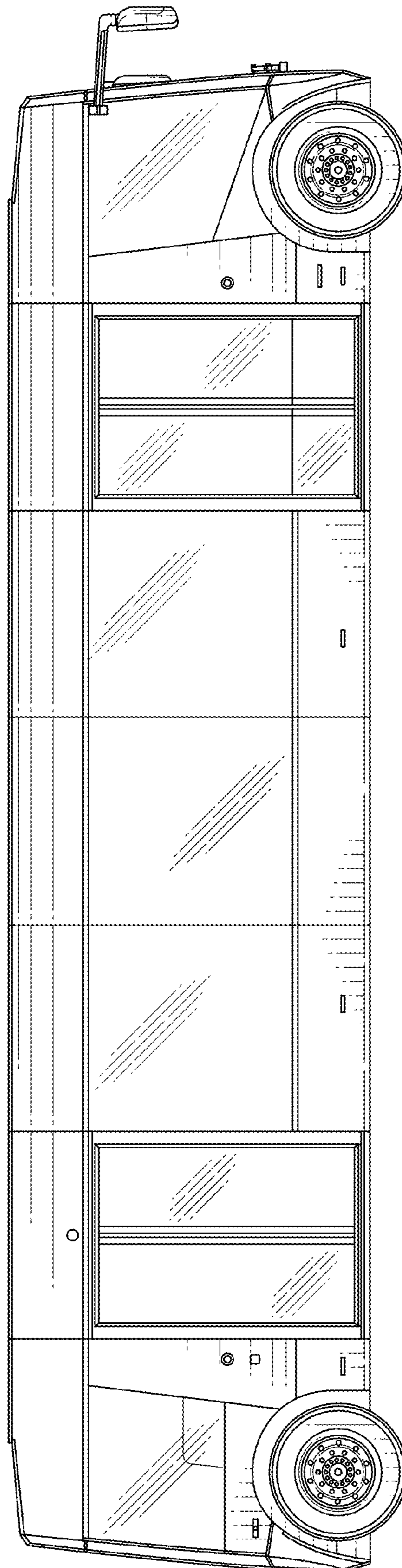




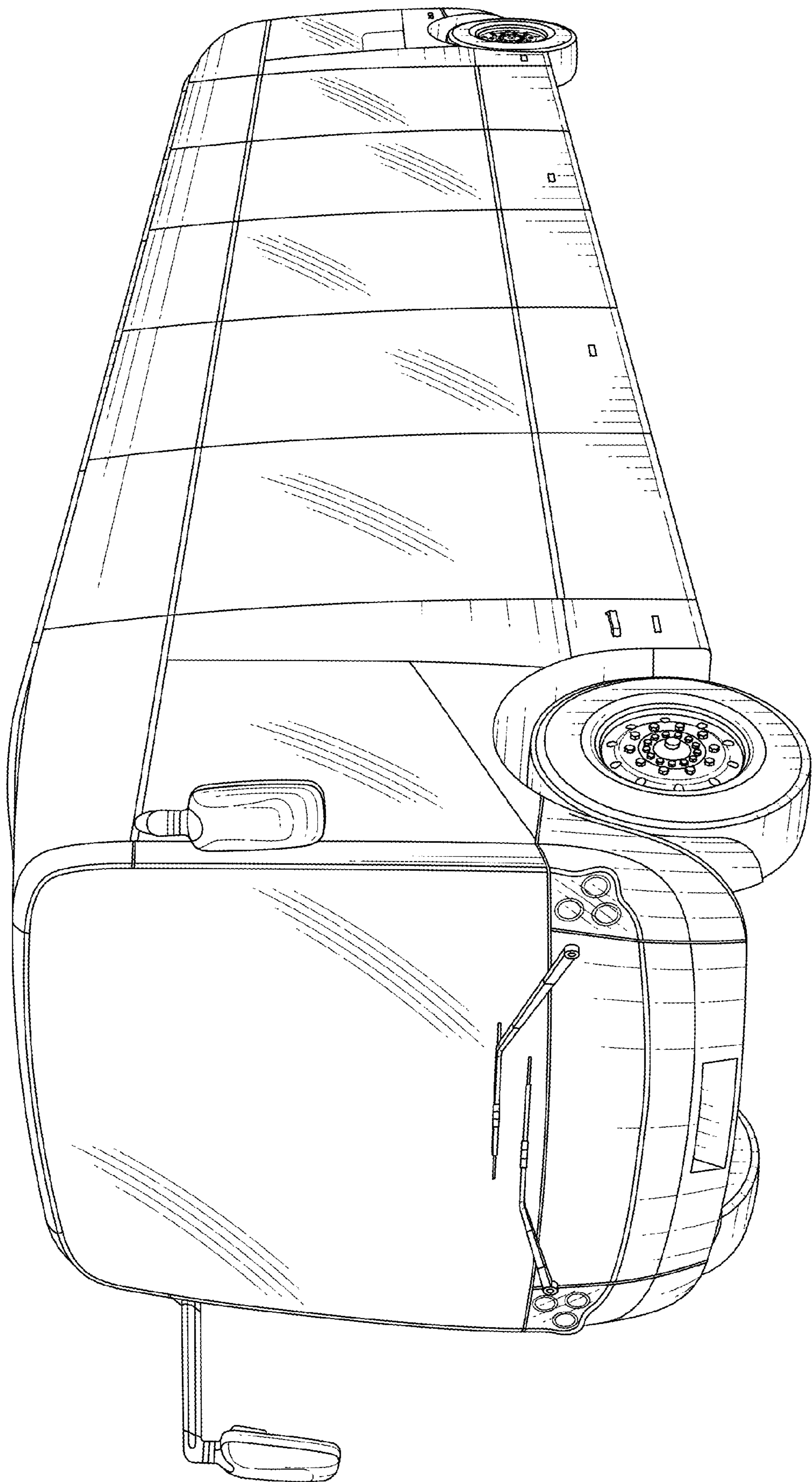
1.1



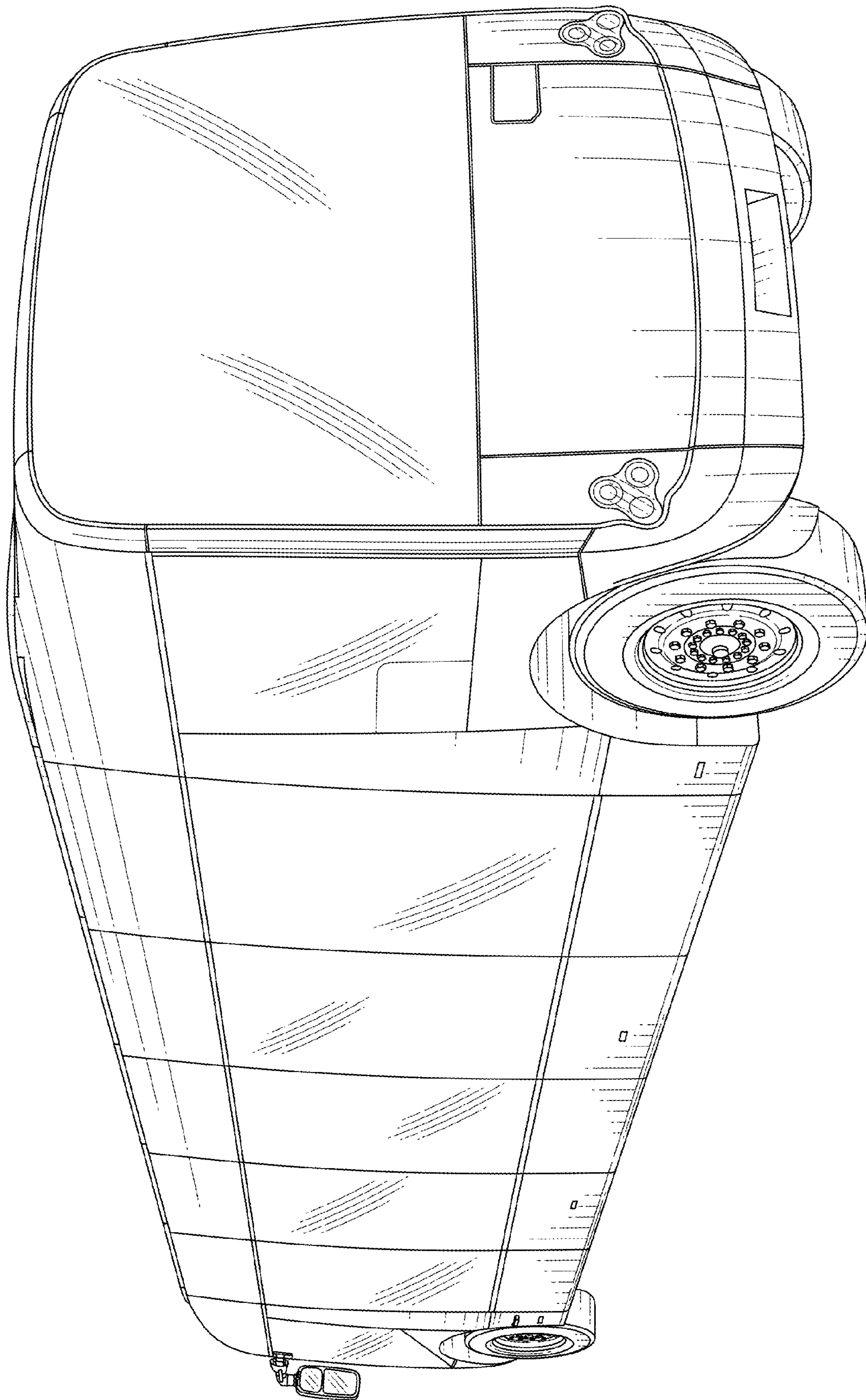
1.2



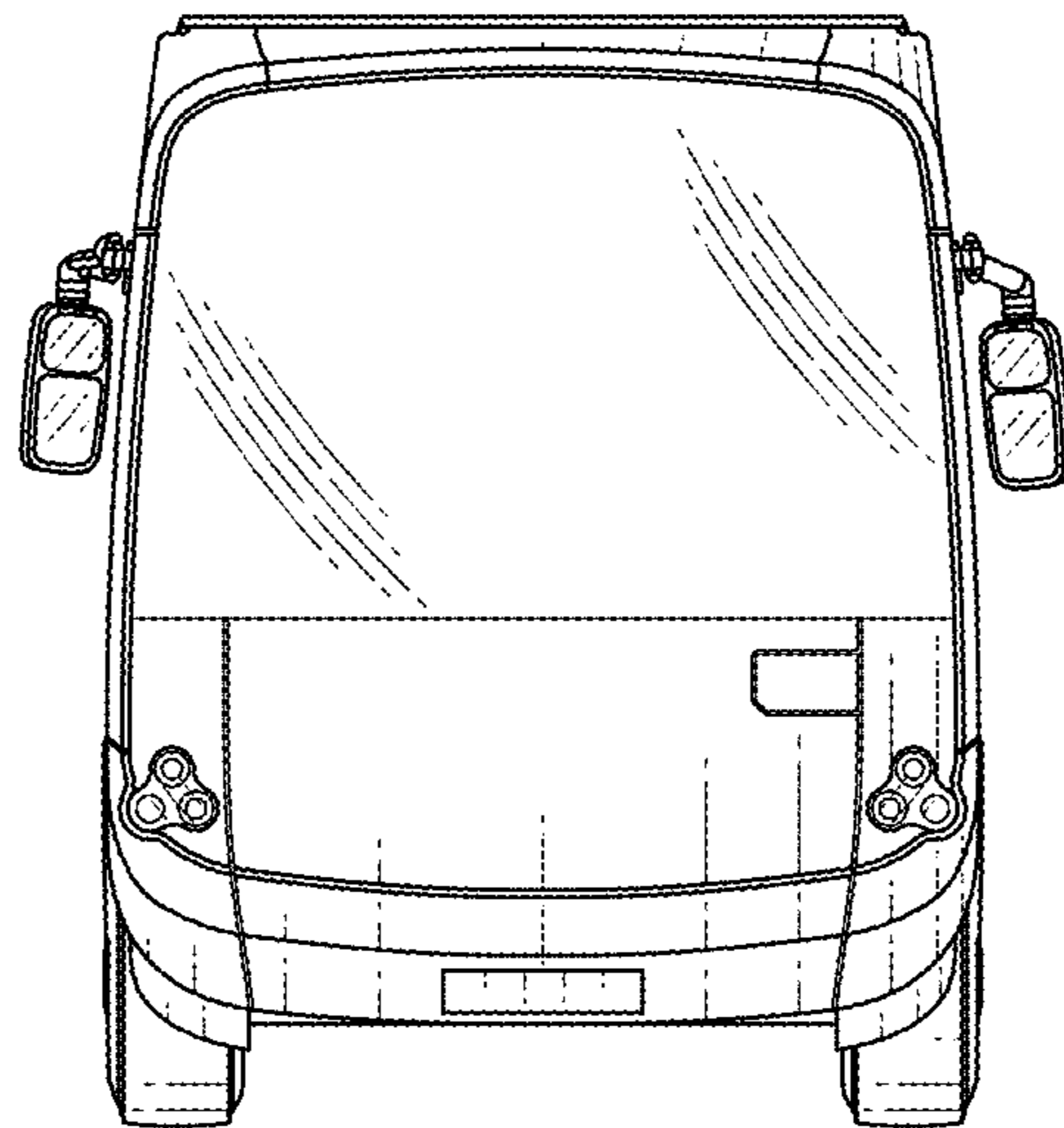
1.3



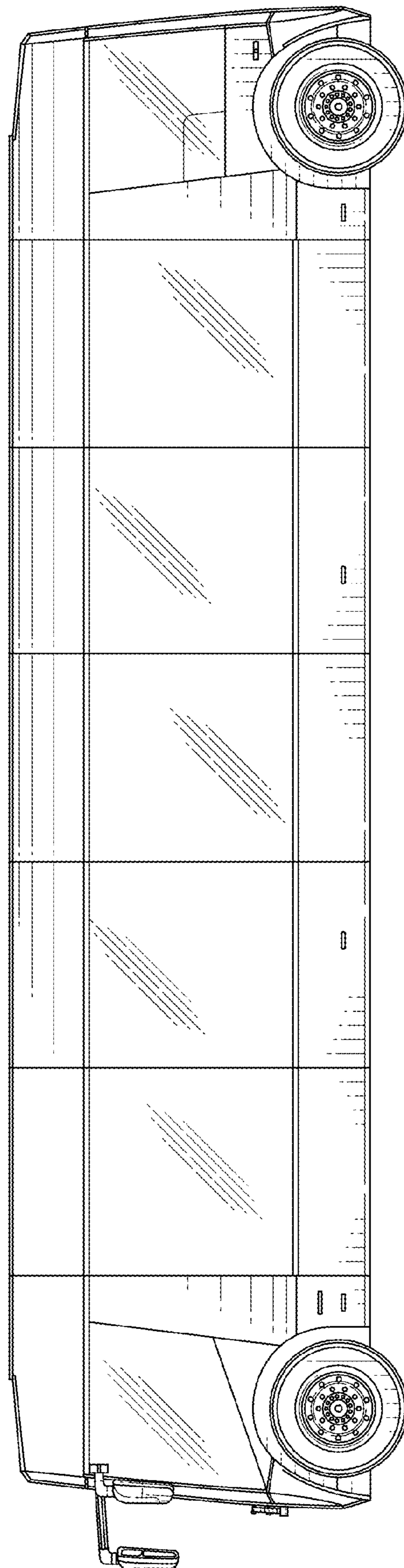
1.4



1.5

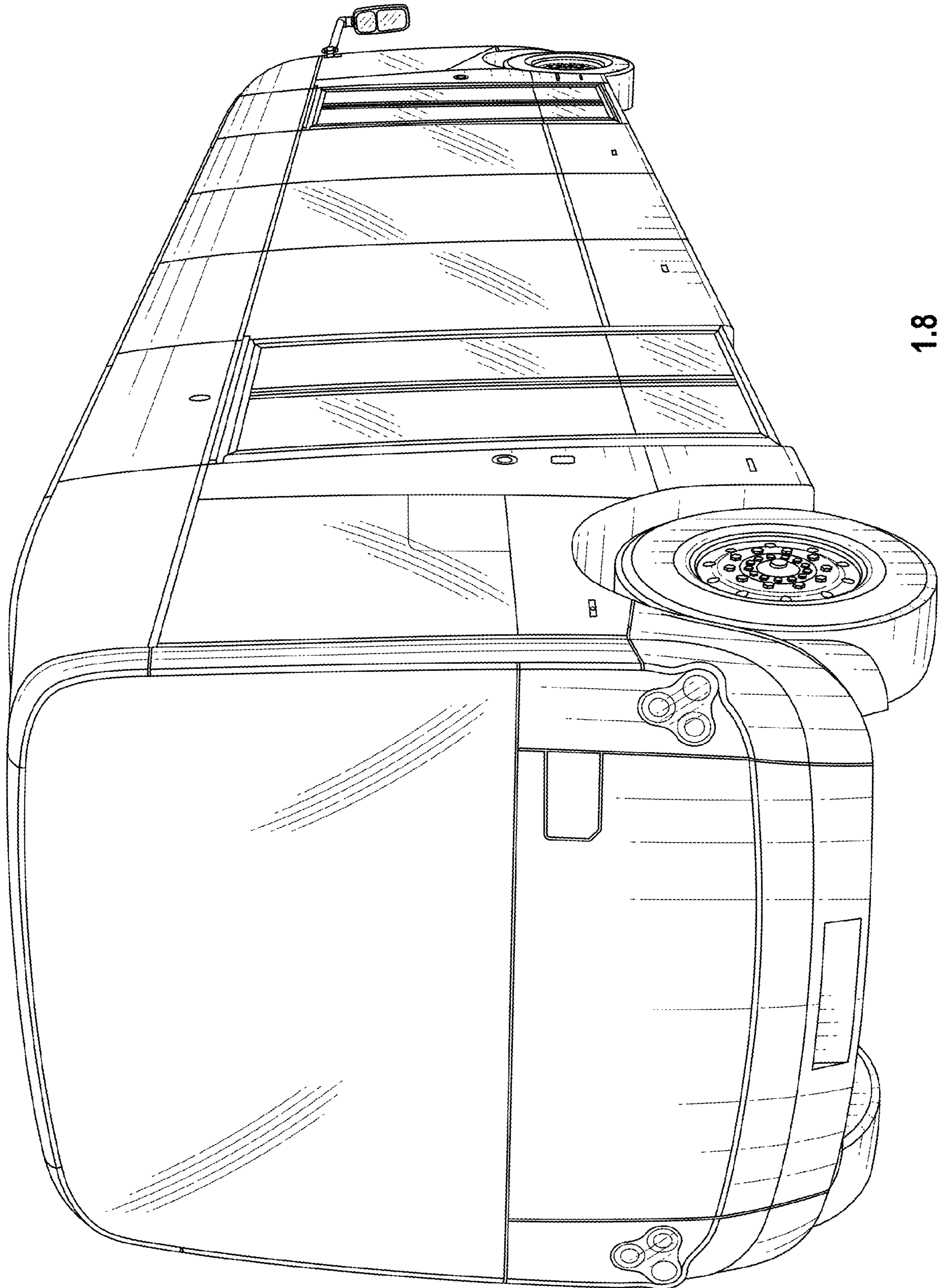


1.6



1.7





1.8

