



US00D878244S

(12) **United States Design Patent**  
**Fildan et al.**

(10) **Patent No.:** **US D878,244 S**  
(45) **Date of Patent:** **\*\* Mar. 17, 2020**

- (54) **GARMENT**
- (71) Applicants: **Gerhard Fildan**, Vienna (AT); **Karl Wanzenböck**, Teesdorf (AT)
- (72) Inventors: **Gerhard Fildan**, Vienna (AT); **Karl Wanzenböck**, Teesdorf (AT)
- (73) Assignee: **Dubrosky & Tracy Patent Services Corp**, Central (HK)
- (\*\*) Term: **15 Years**
- (21) Appl. No.: **29/652,026**
- (22) Filed: **Apr. 5, 2019**

(30) **Foreign Application Priority Data**

Feb. 20, 2019 (EM) ..... 006261921-0001

(51) **LOC (12) Cl.** ..... **02-07**

(52) **U.S. Cl.**  
USPC ..... **D11/216; D2/706**

(58) **Field of Classification Search**  
USPC ..... **D11/200, 201, 210, 216-219; D30/152, D30/155; D2/706**

CPC ..... **A44B 11/04; A44B 11/06; A44B 11/25; A44B 11/258; A44B 11/2588; A44B 11/2592; A44B 11/2596; A44B 11/26; A44B 11/263; A44B 11/266; A44B 17/0023; A44B 99/005; A41F 1/002; A41F 1/006; A41F 1/008; A01K 11/00; A01K 11/08; A01K 27/001; Y10T 24/45948**

See application file for complete search history.

(56) **References Cited**

**U.S. PATENT DOCUMENTS**

- 2,013,997 A \* 9/1935 Freysinger ..... A44B 11/2588 24/313
- 3,081,506 A \* 3/1963 Higuchi ..... A44B 11/2588 24/701

- 4,980,955 A \* 1/1991 Krauss ..... A44B 99/005 24/594.1
- 6,149,496 A \* 11/2000 Fildan ..... A41C 3/02 24/694
- 6,793,556 B1 \* 9/2004 Fildan ..... A41C 3/02 2/323
- D623,987 S \* 9/2010 Fildan ..... A41F 1/006 D11/200
- 8,186,025 B2 \* 5/2012 Fildan ..... A41F 1/006 24/591.1
- 8,869,358 B2 \* 10/2014 Wanzenboeck ..... A41F 1/006 24/591.1
- 9,474,309 B2 \* 10/2016 Yip ..... A41C 3/02
- D781,176 S \* 3/2017 Fildan ..... A44B 99/005 D11/216

(Continued)

*Primary Examiner* — Kevin K Rudzinski

*Assistant Examiner* — Clare Ann Gannon

(74) *Attorney, Agent, or Firm* — Kintner IP, LLC; Mary Frances Ludwig

(57) **CLAIM**

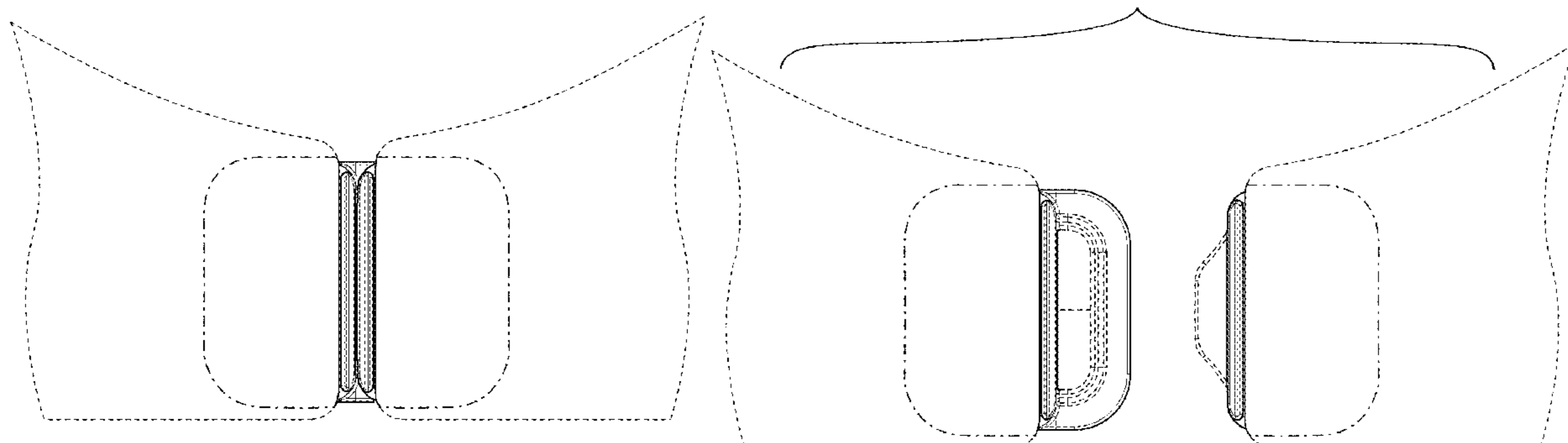
The ornamental design for a garment, as shown and described.

**DESCRIPTION**

FIG. 1 is a front elevation view of a garment showing our new design in its fully closed position;  
 FIG. 2 is a rear elevation view thereof;  
 FIG. 3 is a cross-sectional view thereof, of which the section is taken along reference line of FIG. 2;  
 FIG. 4 is a front elevation view of the garment in its fully open position;  
 FIG. 5 is a rear elevation view thereof; and,  
 FIG. 6 is a cross-sectional view thereof, of which the section is taken along reference line VI-VI of FIG. 5.

The long and short broken lines represent the bounds of the claimed design and form no part thereof; the evenly spaced broken lines show portions that form no part of the claimed design.

**1 Claim, 2 Drawing Sheets**



(56)

**References Cited**

U.S. PATENT DOCUMENTS

9,642,407 B2 \* 5/2017 Fildan ..... A41F 1/006  
2005/0145203 A1 \* 7/2005 Wang ..... A01K 27/005  
119/865  
2018/0077984 A1 3/2018 Fildan et al.  
2018/0092439 A1 \* 4/2018 Fildan ..... A41F 1/006

\* cited by examiner

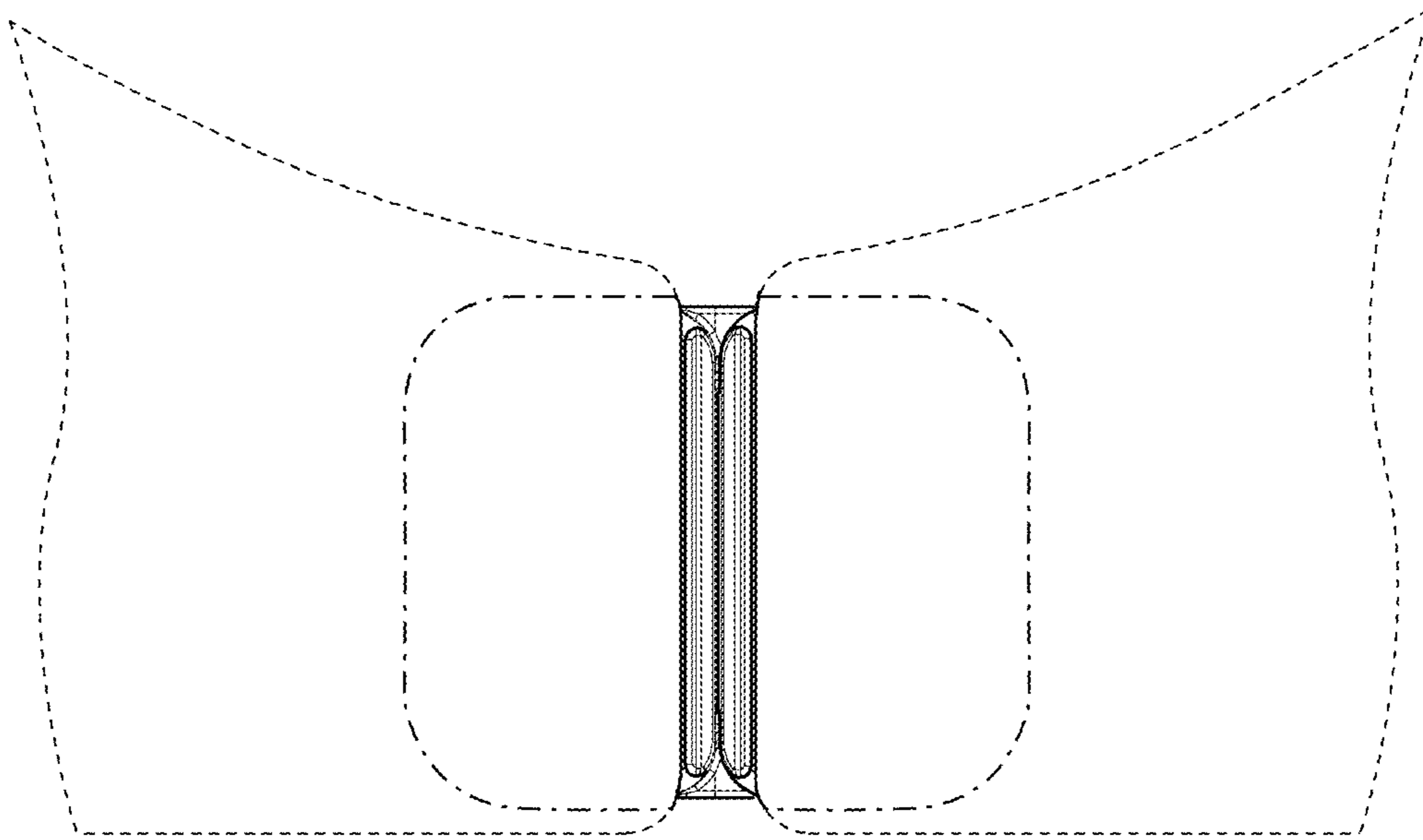


FIG. 1

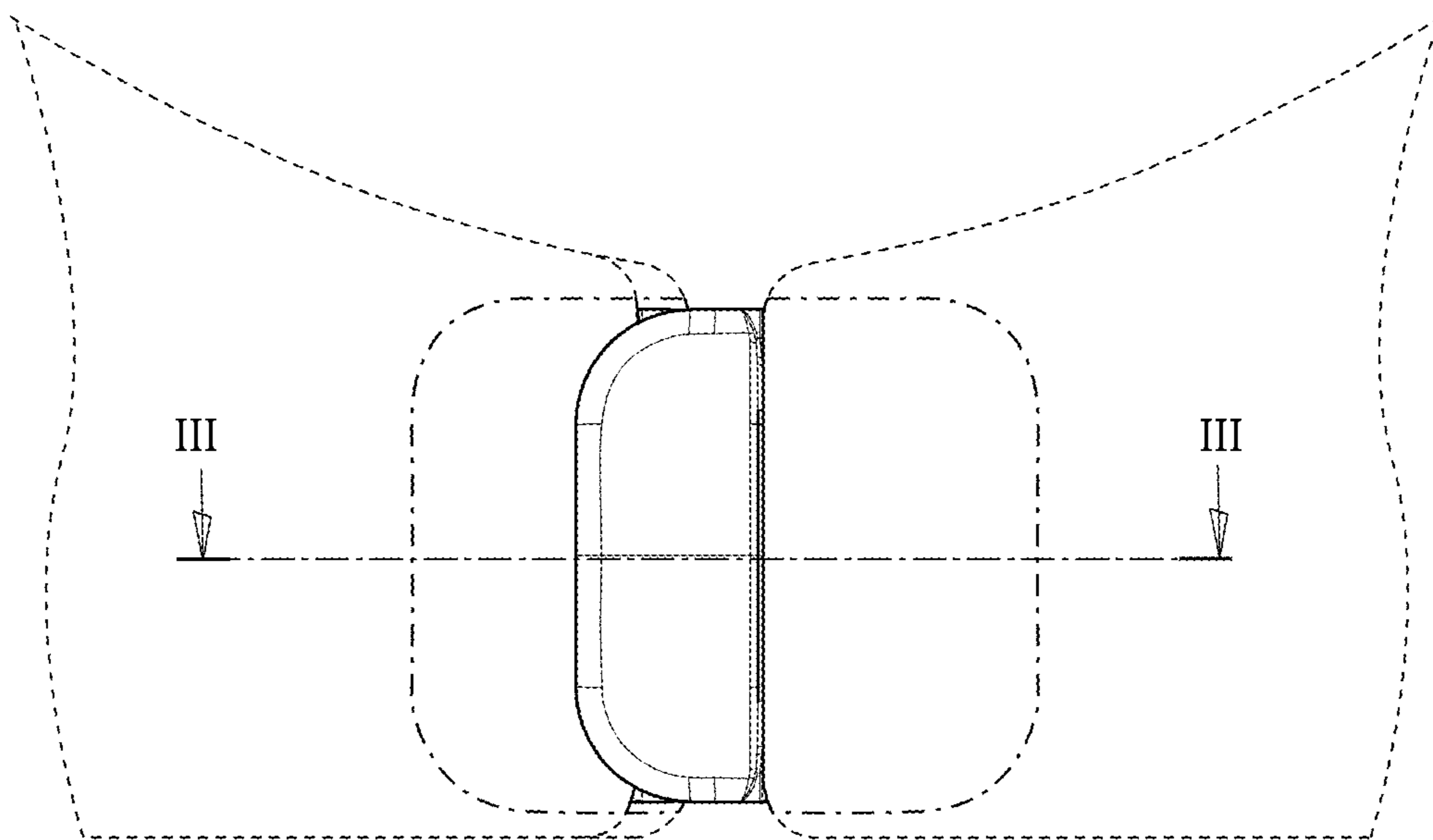


FIG. 2



FIG. 3

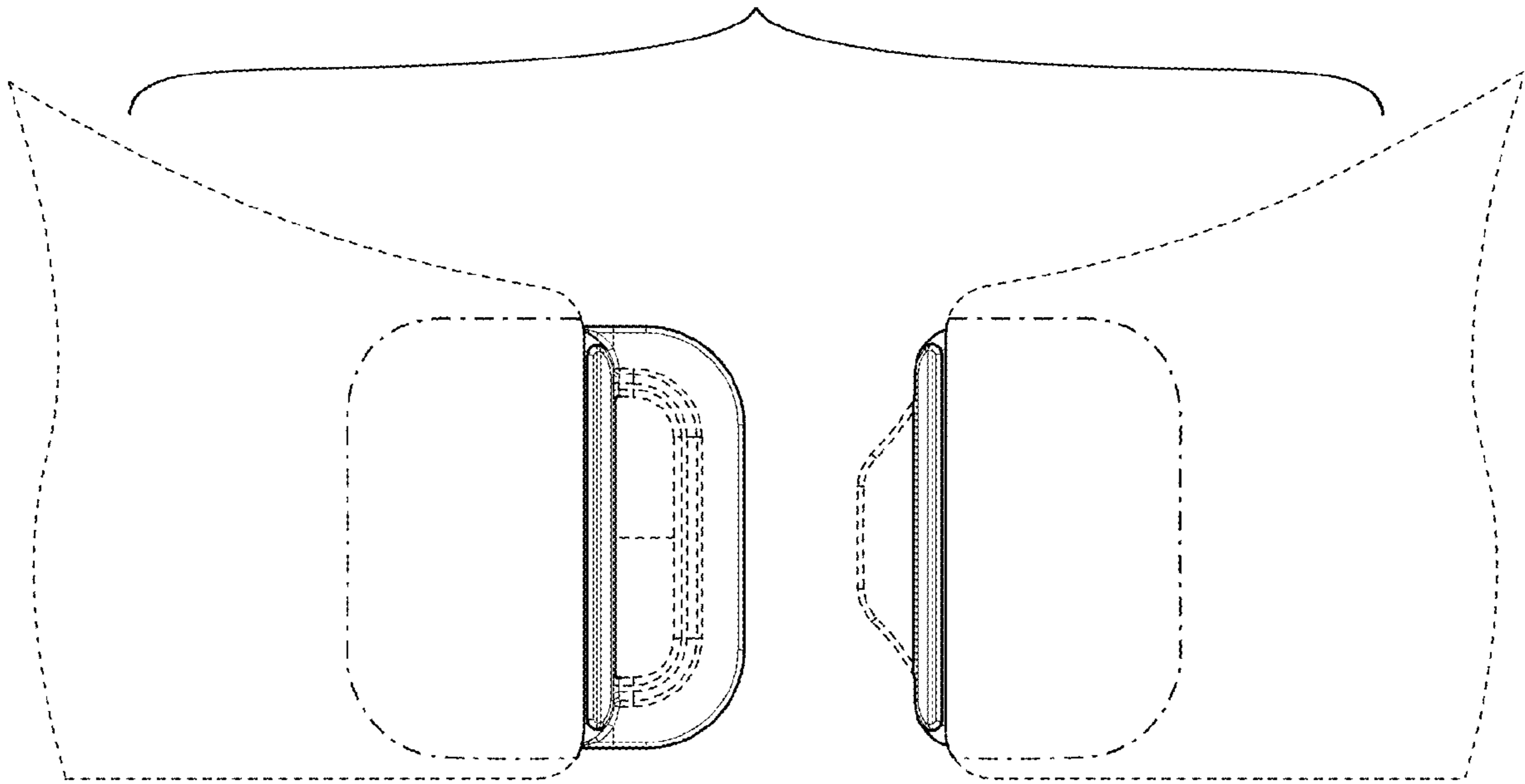


FIG. 4

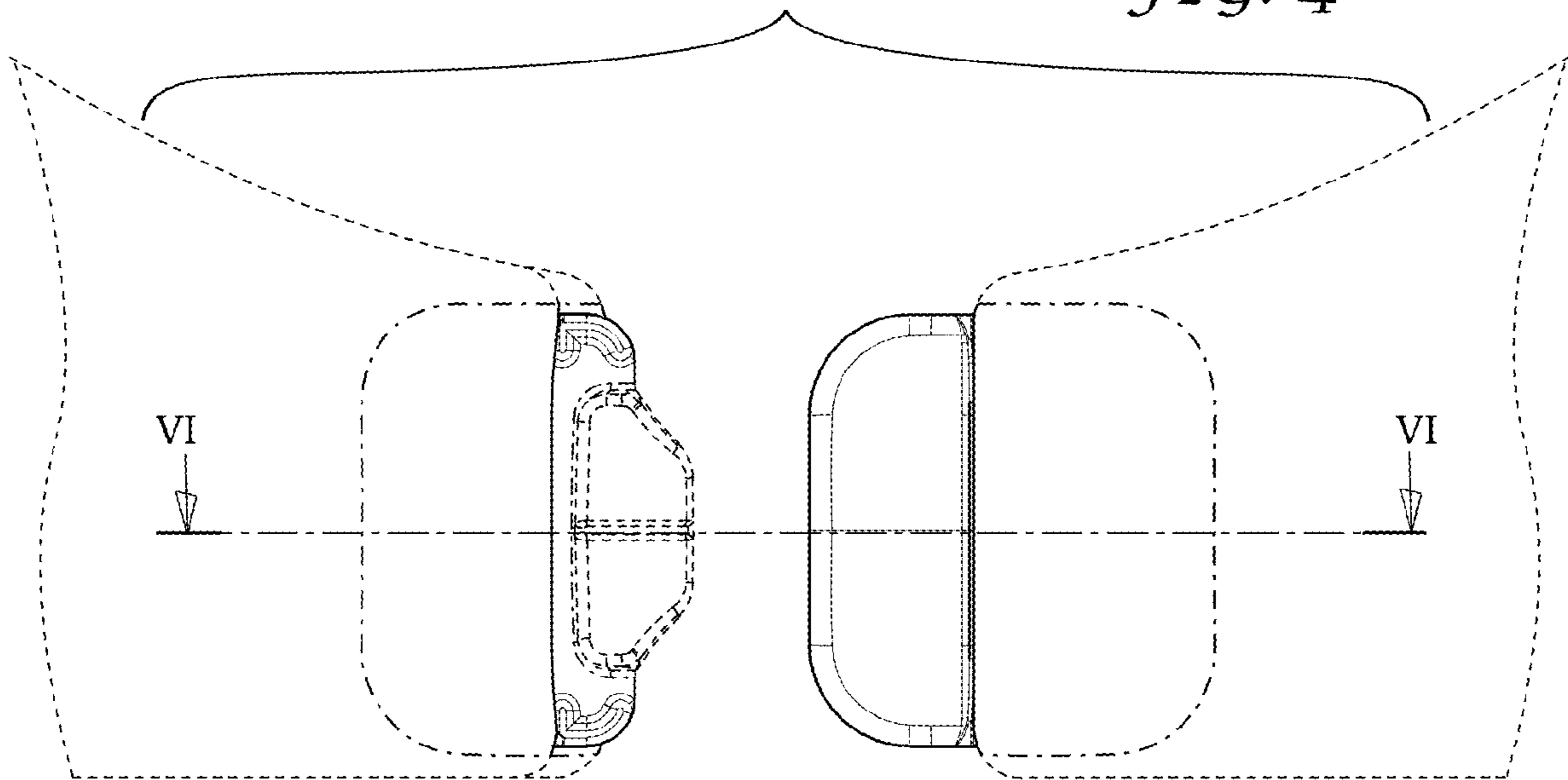


FIG. 5

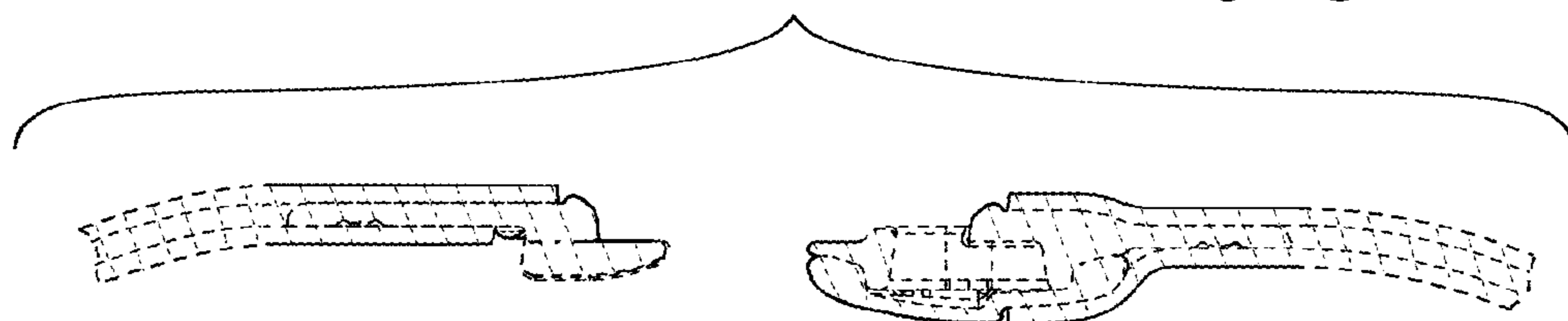


FIG. 6