

US00D878242S

(12) **United States Design Patent**
Gallo

(10) **Patent No.:** **US D878,242 S**

(45) **Date of Patent:** **** *Mar. 17, 2020**

- (54) **PLANT WATERING CAP**
- (71) Applicant: **Steven W. Gallo**, Laval (CA)
- (72) Inventor: **Steven W. Gallo**, Laval (CA)
- (*) Notice: This patent is subject to a terminal disclaimer.
- (**) Term: **15 Years**
- (21) Appl. No.: **29/623,805**
- (22) Filed: **Oct. 27, 2017**
- (51) **LOC (12) Cl.** **11-02**
- (52) **U.S. Cl.**
USPC **D11/155**
- (58) **Field of Classification Search**
USPC D6/403–405, 556–558; D11/143–156,
D11/164; D3/273, 279; D9/414, 424,
D9/432; D34/5, 11
CPC A01G 2009/003; A01G 9/00; A01G 9/02;
A01G 9/021; A01G 9/023; A01G 9/024;
A01G 9/025; A01G 9/029; A01G 9/0291;
A01G 9/0295; A01G 9/033; A01G 9/04;
A01G 9/042; A01G 9/012; A01G 5/04;
A47G 7/00; A47G 7/06; A47G 7/08
See application file for complete search history.

- (56) **References Cited**
U.S. PATENT DOCUMENTS
3,396,488 A * 8/1968 Ries A01G 9/28
47/33
3,896,586 A * 7/1975 Caldwell A01G 13/04
47/21.1
D254,874 S * 4/1980 Totten D11/145

- 4,648,203 A * 3/1987 Worzek A01G 13/0281
47/32
- 5,294,012 A * 3/1994 Shott B65F 1/0066
220/23.4
- 5,548,924 A * 8/1996 Mekler A01G 9/0295
47/69
- 5,711,106 A * 1/1998 Ellis A01G 9/28
47/32
- 5,918,411 A * 7/1999 Hadrava A01G 13/0281
47/21.1
- D416,214 S * 11/1999 Conner D11/143
- 6,161,333 A * 12/2000 Poston A01G 9/02
47/86
- D446,746 S * 8/2001 Simmons D11/143
- D463,318 S * 9/2002 McKendree D11/143
- D764,969 S * 8/2016 Kalliontzis D11/143
- 2018/0103598 A1 * 4/2018 Marshall A01G 22/00

* cited by examiner

Primary Examiner — Elizabeth A. Albert
(74) *Attorney, Agent, or Firm* — Barlow, Josephs & Holmes, Ltd.

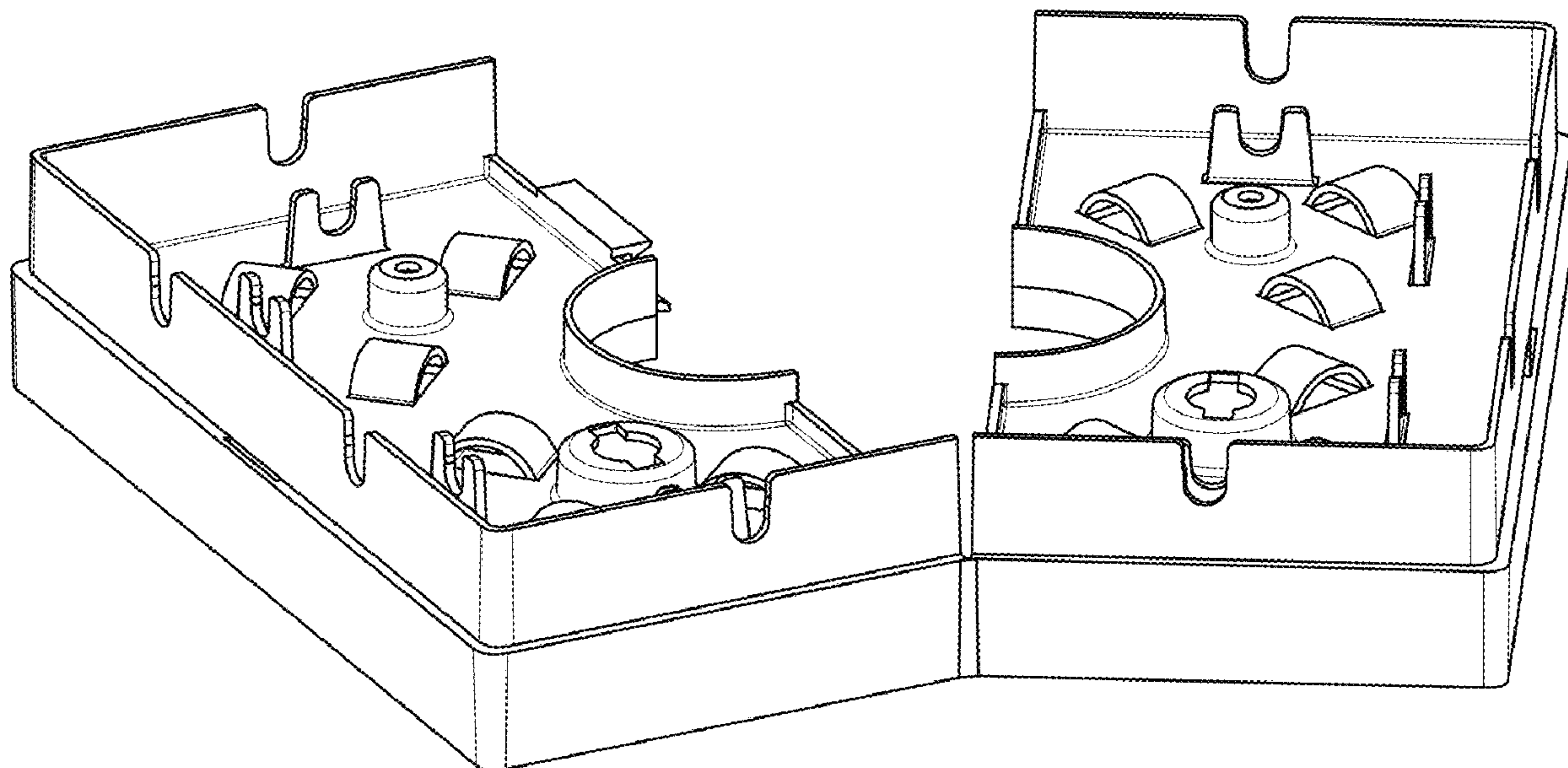
(57) **CLAIM**

The ornamental design for a plant watering cap, as shown and described.

DESCRIPTION

FIG. 1 is a top perspective view of a plant watering cap showing my new design;
FIG. 2 is a bottom perspective view thereof;
FIG. 3 is a top view thereof;
FIG. 4 is a bottom view thereof;
FIG. 5 is a left side view thereof;
FIG. 6 is a front view thereof; and,
FIG. 7 is a right side view thereof.

1 Claim, 6 Drawing Sheets



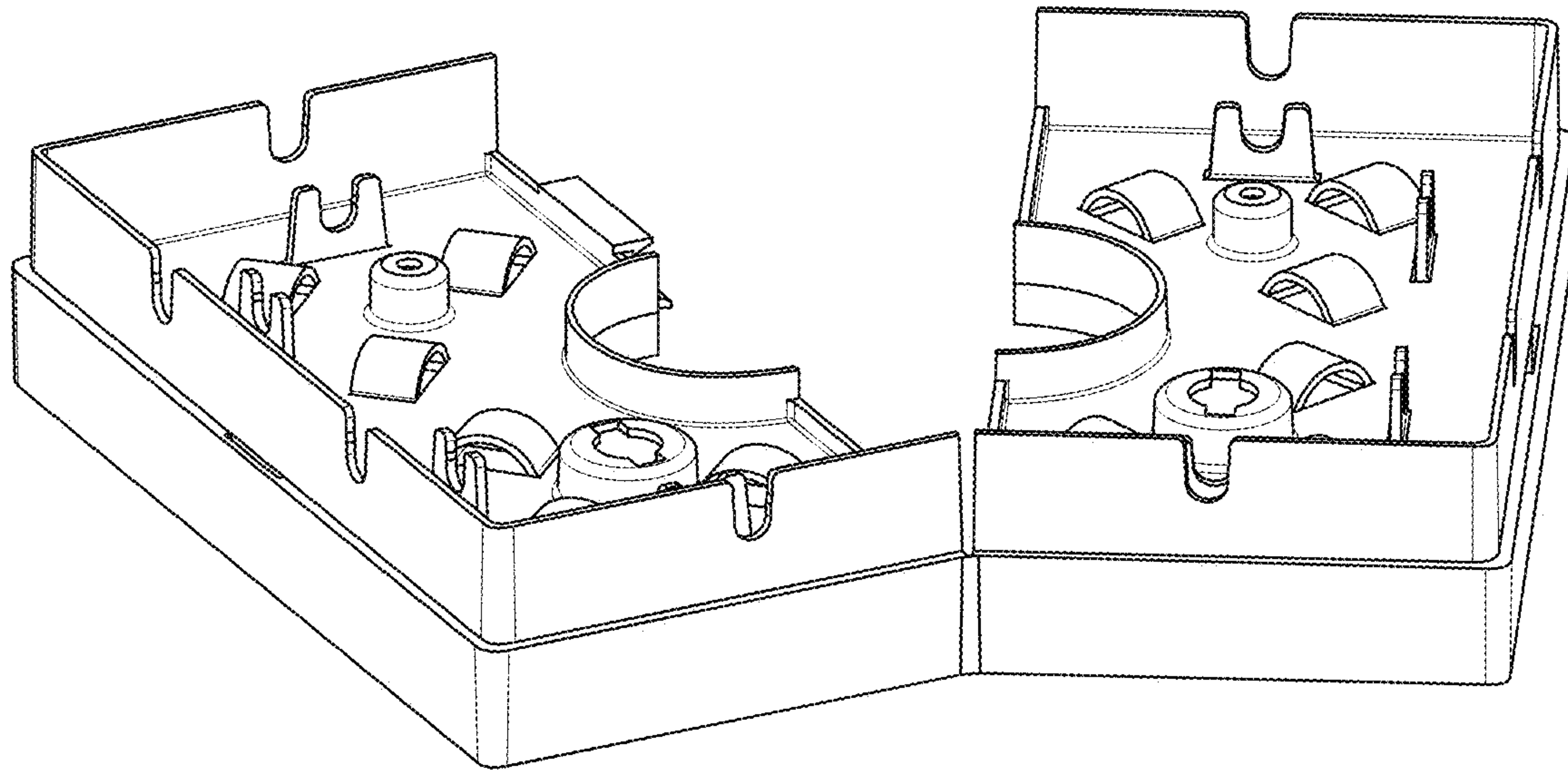


FIG. 1

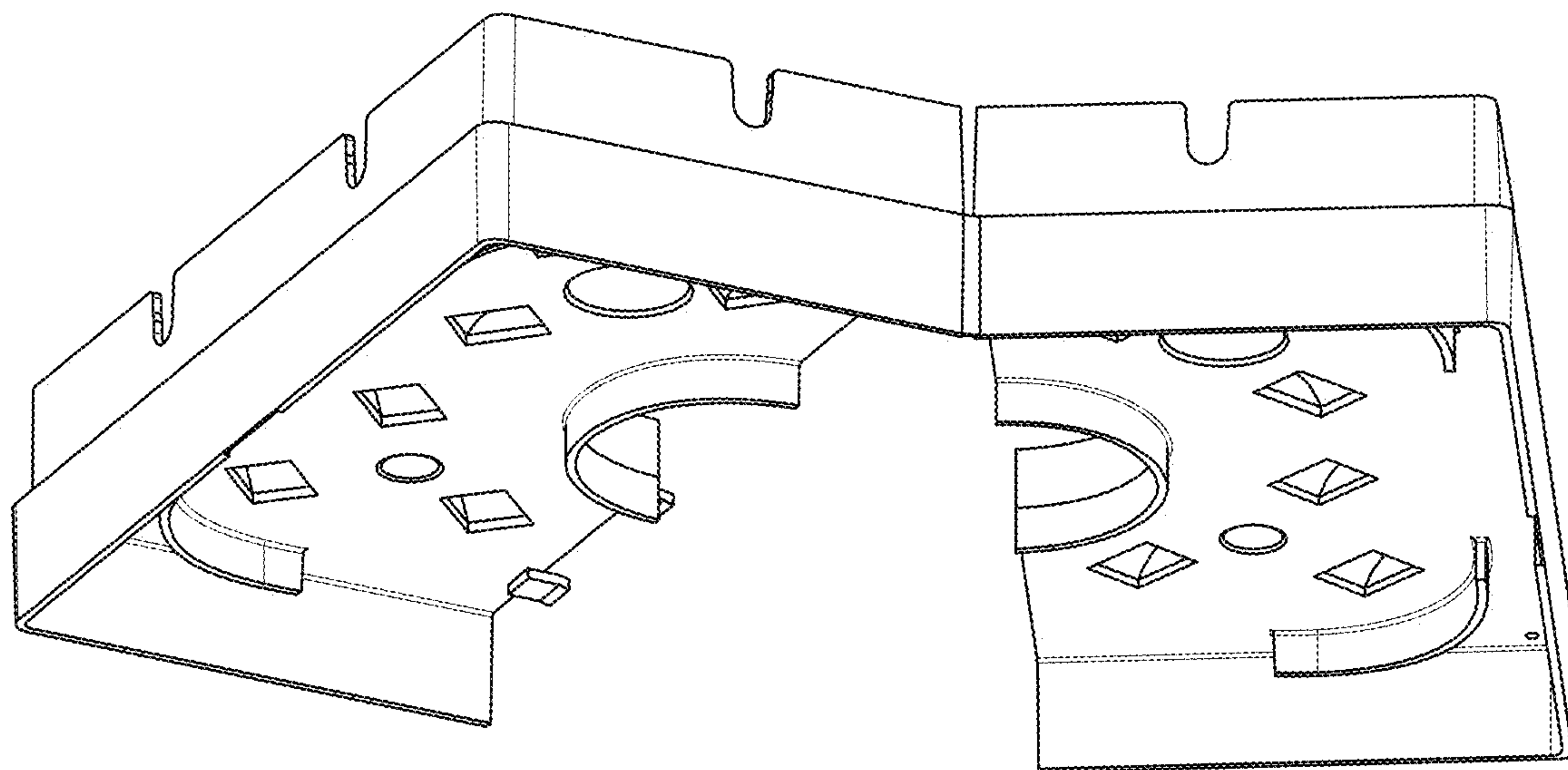


FIG. 2

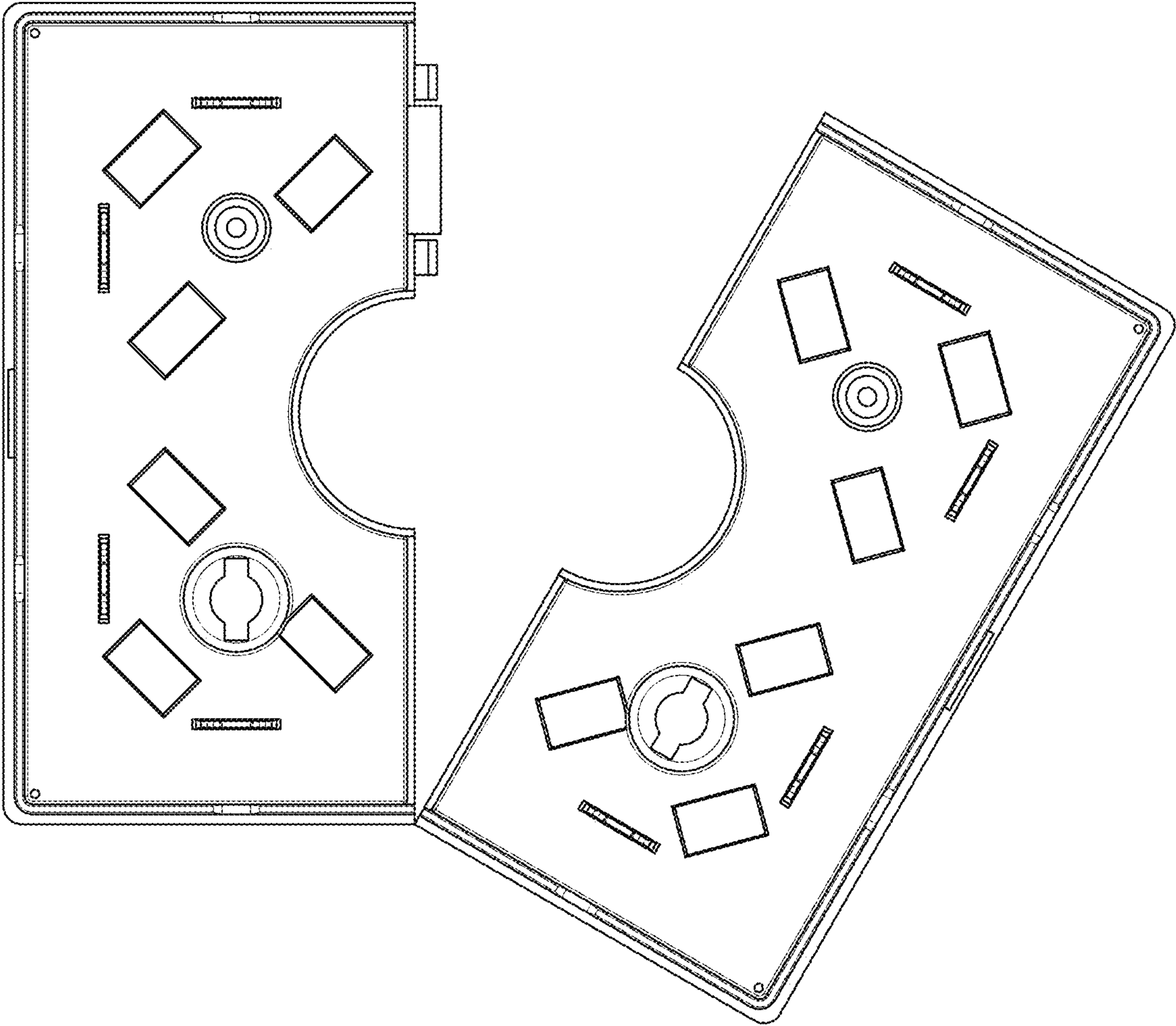


FIG. 3

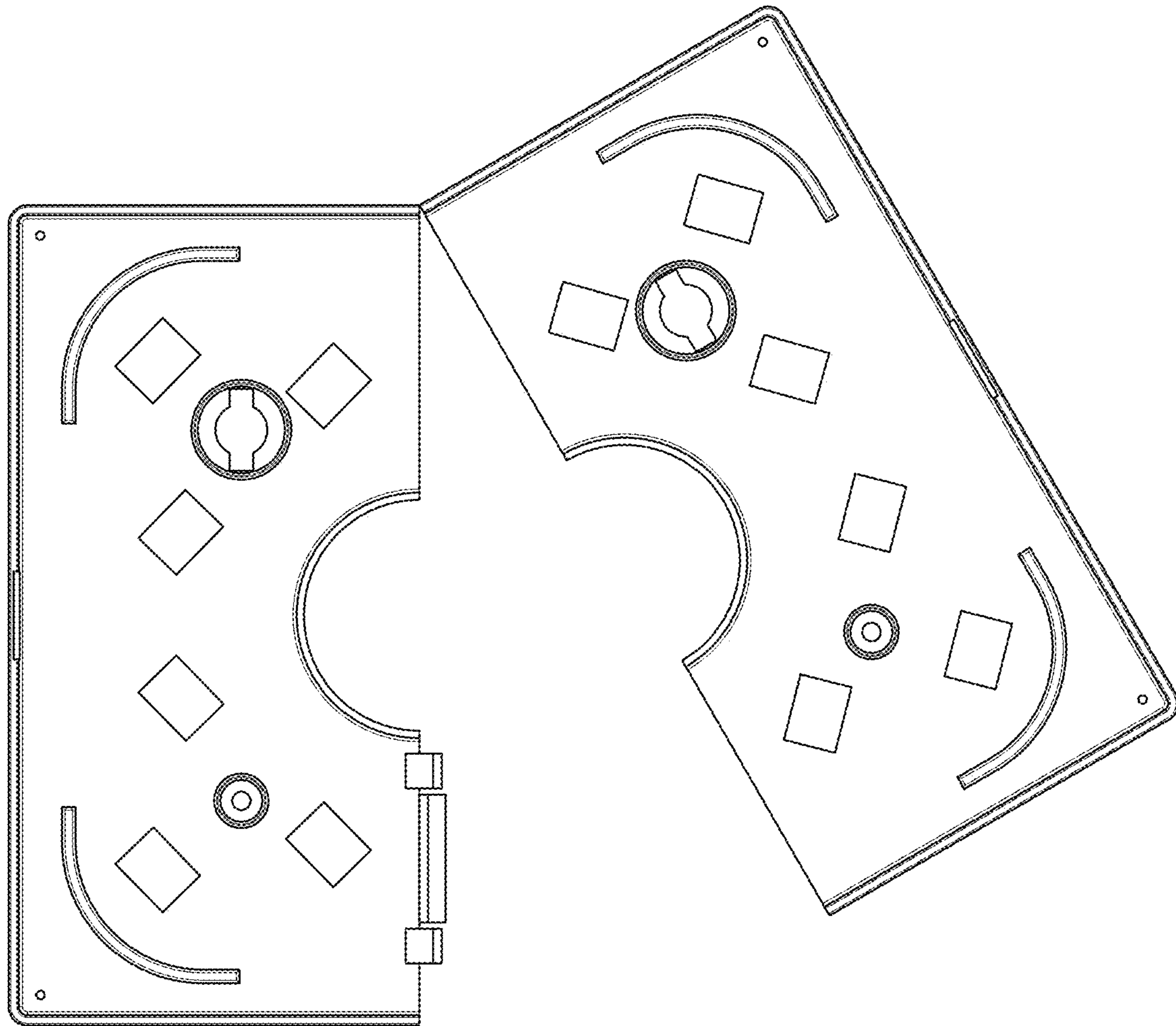


FIG. 4

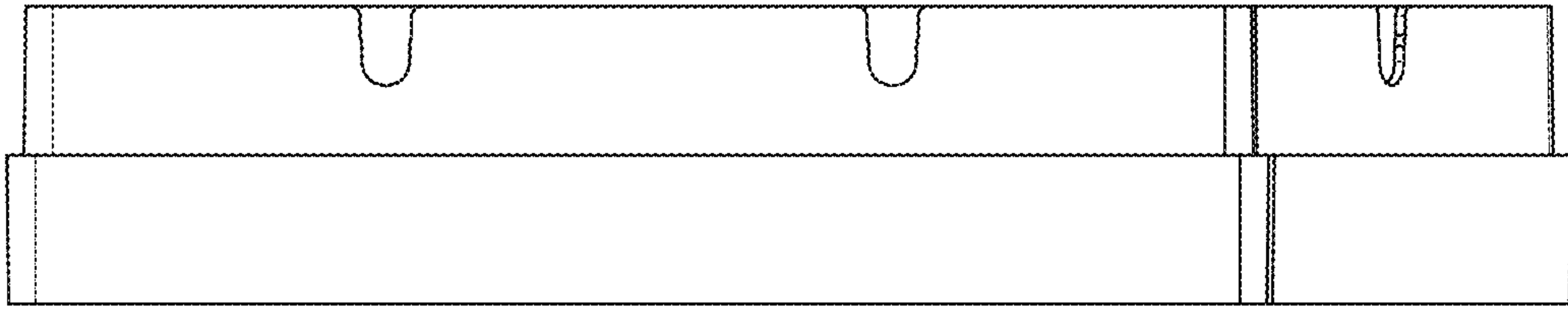


FIG. 5

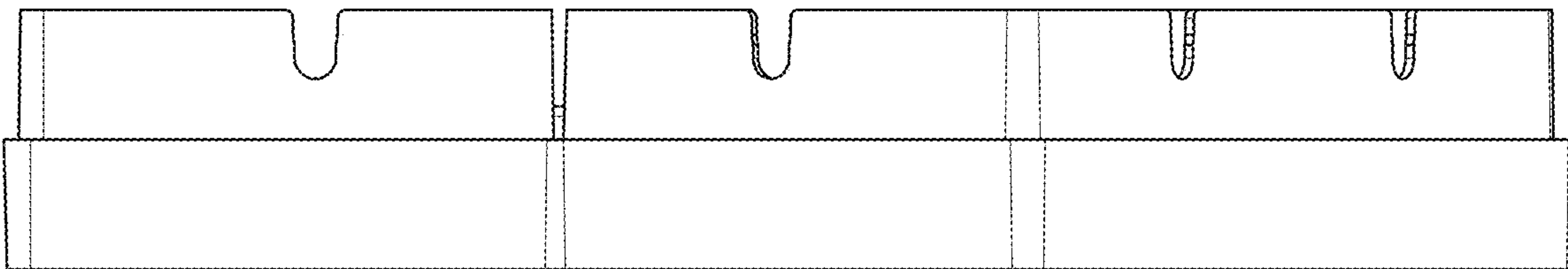


FIG. 6

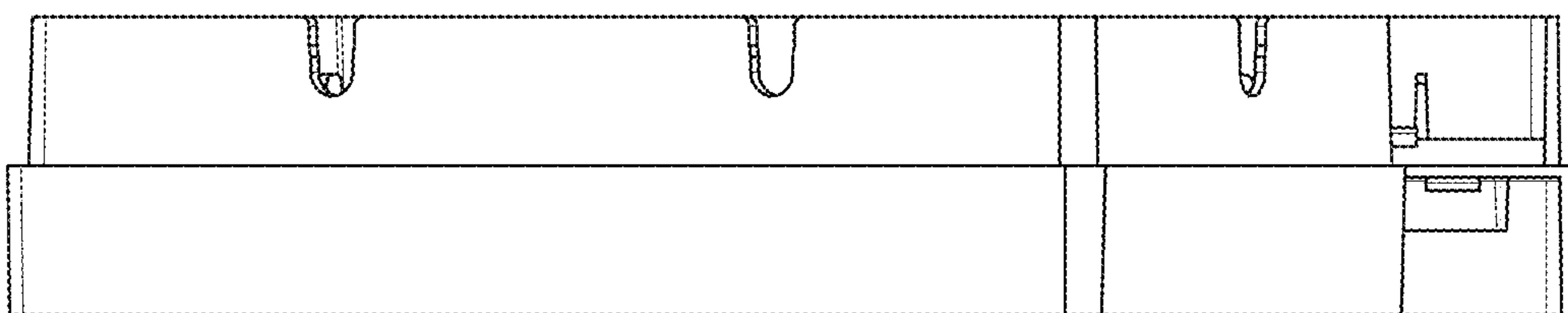


FIG. 7

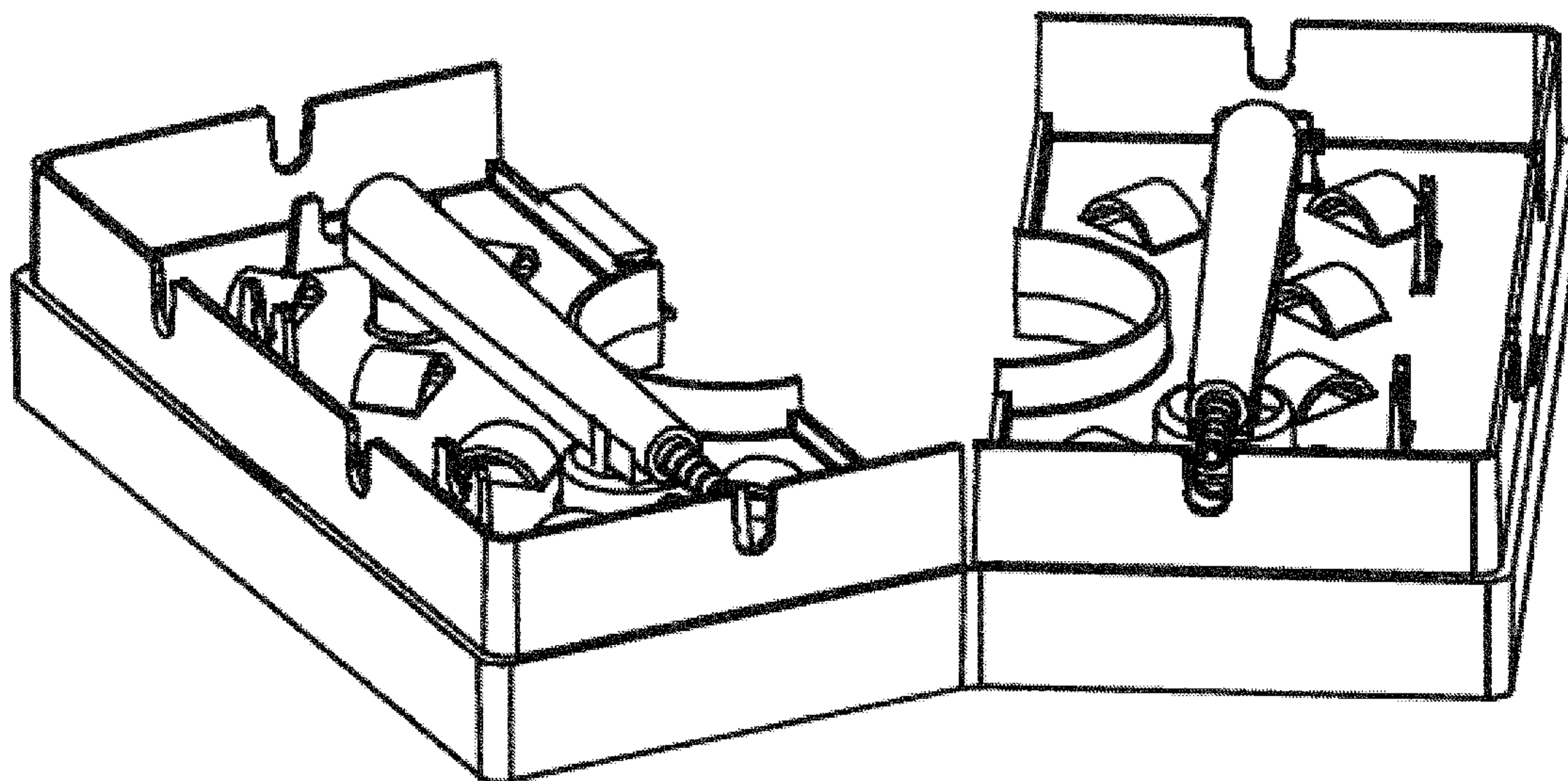


FIG. 8

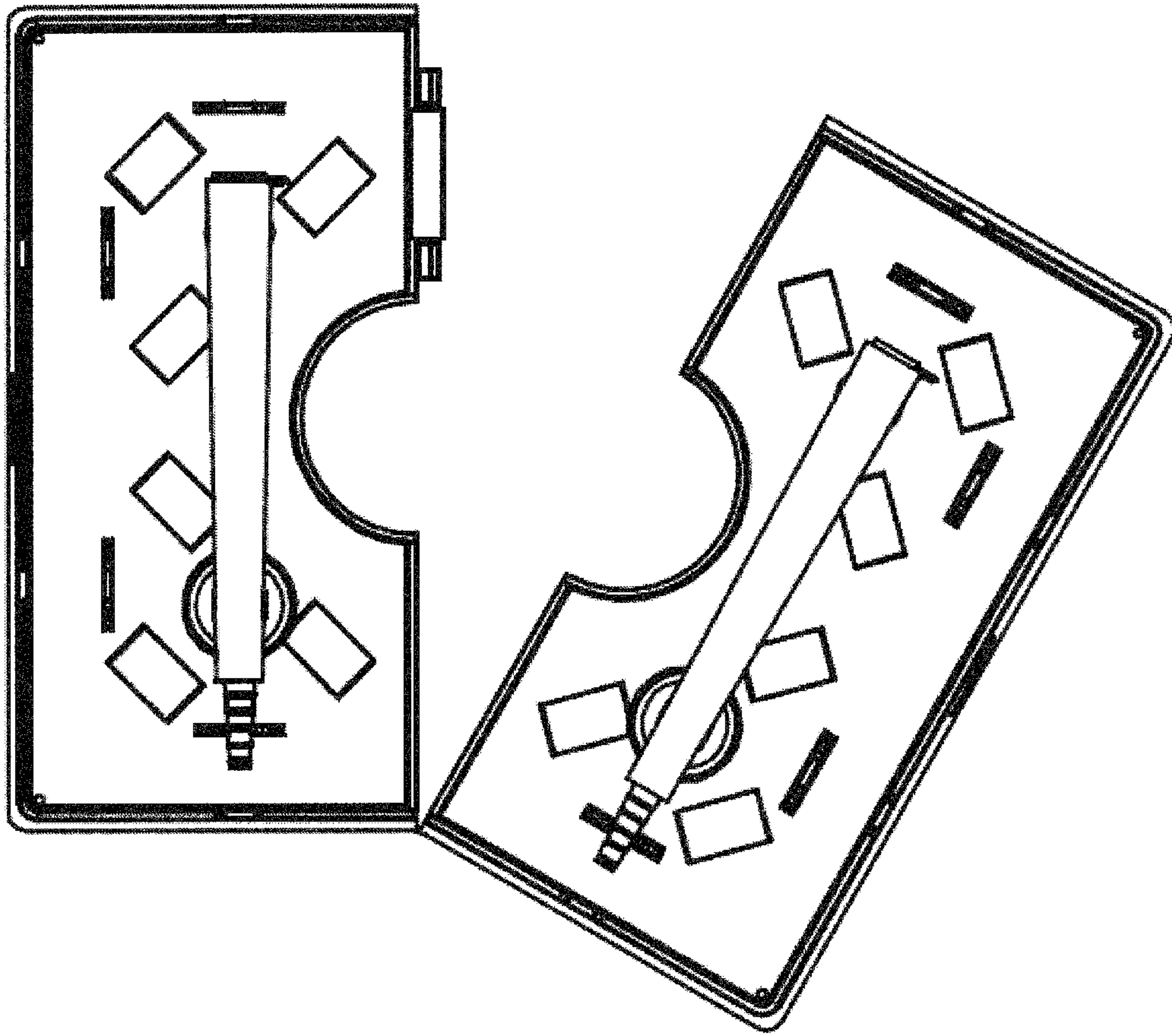


FIG. 9