



US00D878238S

(12) **United States Design Patent** (10) **Patent No.:** **US D878,238 S**
Holmes et al. (45) **Date of Patent:** **** Mar. 17, 2020**

(54) **COIN HOLDER FOR JEWELRY**

(71) Applicants: **Jeffery Holmes**, Fresno, TX (US);
Alberto Noel Zepeda-Vazquez,
Dickinson, TX (US)

(72) Inventors: **Jeffery Holmes**, Fresno, TX (US);
Alberto Noel Zepeda-Vazquez,
Dickinson, TX (US)

(**) Term: **15 Years**

(21) Appl. No.: **29/653,122**

(22) Filed: **Jun. 12, 2018**

(51) **LOC (12) Cl.** **11-01**

(52) **U.S. Cl.**
USPC **D11/86**

(58) **Field of Classification Search**
USPC D11/1-25.43, 86
CPC A44C 1/00; A44C 25/00; A44C 7/00
See application file for complete search history.

(56) **References Cited**

U.S. PATENT DOCUMENTS

D332,568 S	*	1/1993	Ozawa	D8/397
D375,703 S	*	11/1996	Lowe	D11/88
D551,850 S	*	10/2007	Hagman	D3/208
D592,471 S	*	5/2009	Rosko	D8/28
D640,158 S	*	6/2011	Siedler	D11/2
D640,716 S	*	6/2011	Takahashi	D15/139
D651,224 S	*	12/2011	Takahashi	D15/139
D668,986 S	*	10/2012	Friedman	D11/41
D703,089 S	*	4/2014	Grainger	D11/86
D712,778 S	*	9/2014	Kuiawa	D11/40
D726,577 S	*	4/2015	Weems	D11/40

* cited by examiner

Primary Examiner — Zenia I Bennett

(74) *Attorney, Agent, or Firm* — Karen B. Tripp

(57) **CLAIM**

We claim the ornamental design for a coin holder for jewelry, as shown and described.

DESCRIPTION

FIG. 1 is a perspective frontal side view of the coin holder for jewelry of our new design, showing the appearance of the holder before it is added to a bracelet or wristband as it would be worn on a person's wrist or before it is added to a chain for a pendant for a necklace or before it is added to a pin.

FIG. 2 is a perspective back view of the coin holder for jewelry of FIG. 1.

FIG. 3 is a front view of the coin holder for jewelry of FIG. 1.

FIG. 4 is a back view of the coin holder for jewelry of FIG. 1.

FIG. 5 is a left side view of coin holder for jewelry of FIG. 1.

FIG. 6 is a right side view of the coin holder for jewelry of FIG. 1.

FIG. 7 is a top view of the coin holder for jewelry of FIG. 1.

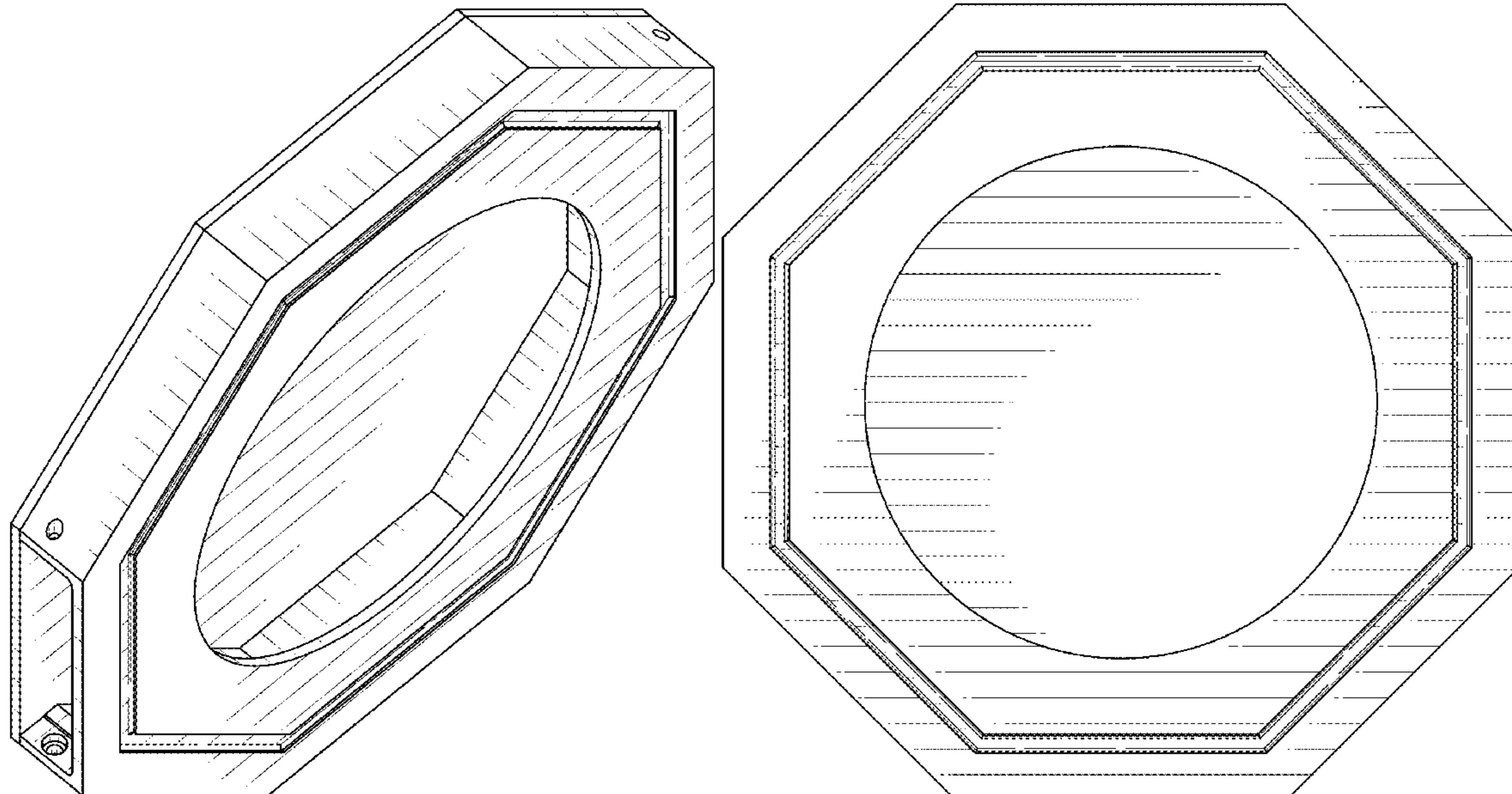
FIG. 8 is a bottom view of the bracelet of FIG. 1.

FIG. 9 is a perspective view of the coin holder for jewelry opened to receive a coin.

FIG. 10 is another perspective view of the coin holder for jewelry of FIG. 1 positioned to show how it may be used on a wristband or bracelet. The wristband shown in broken lines is for illustrative purposes only and forms no part of the claimed design; and,

FIG. 11 is another perspective view of the coin holder for jewelry of FIG. 1 positioned to show how it as a pendant. The bar and ring for adapting the coin holder for jewelry for a pendant and shown in broken lines is for illustrative purposes only and forms no part of the claimed design.

1 Claim, 8 Drawing Sheets



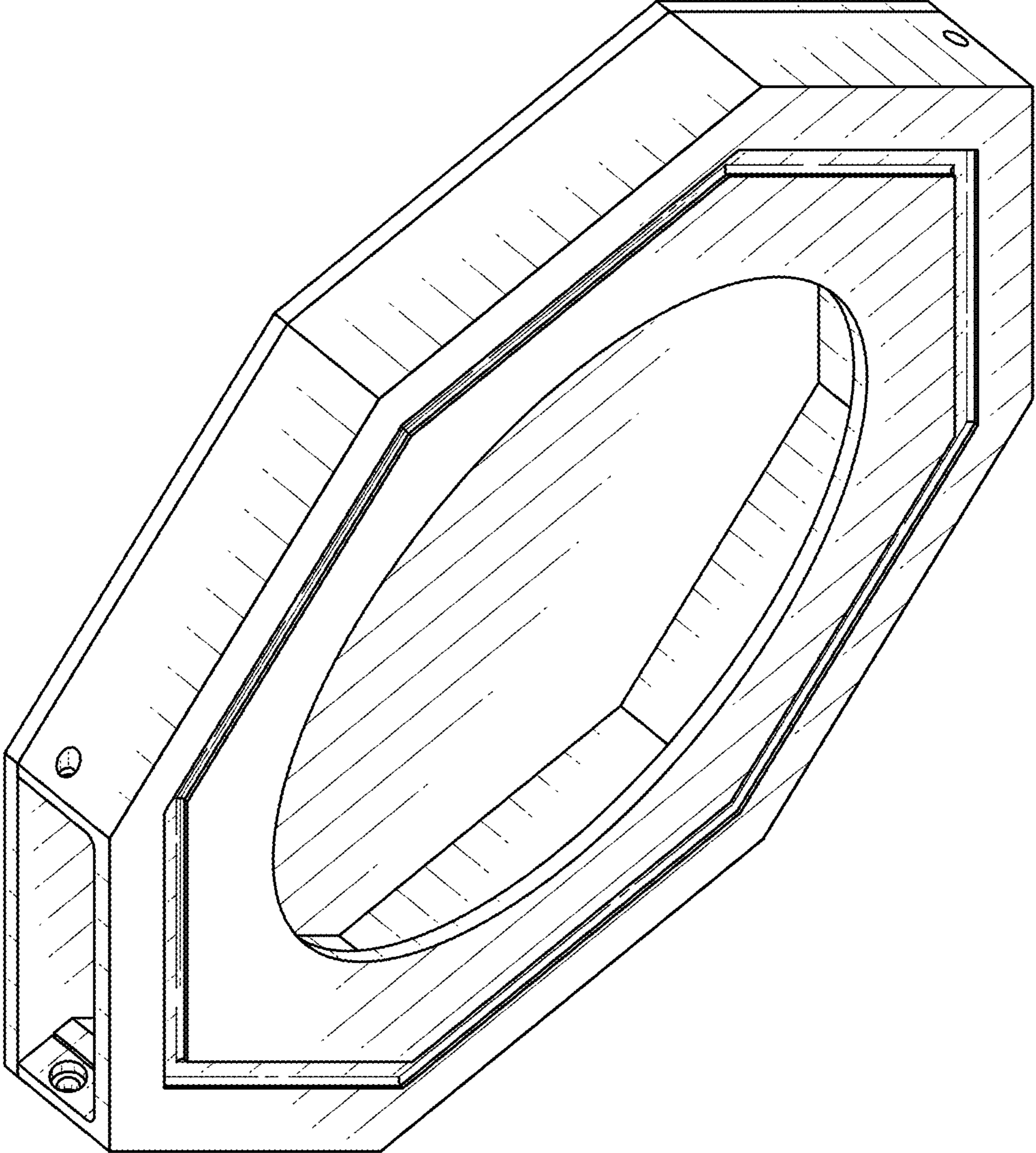


FIG. 1

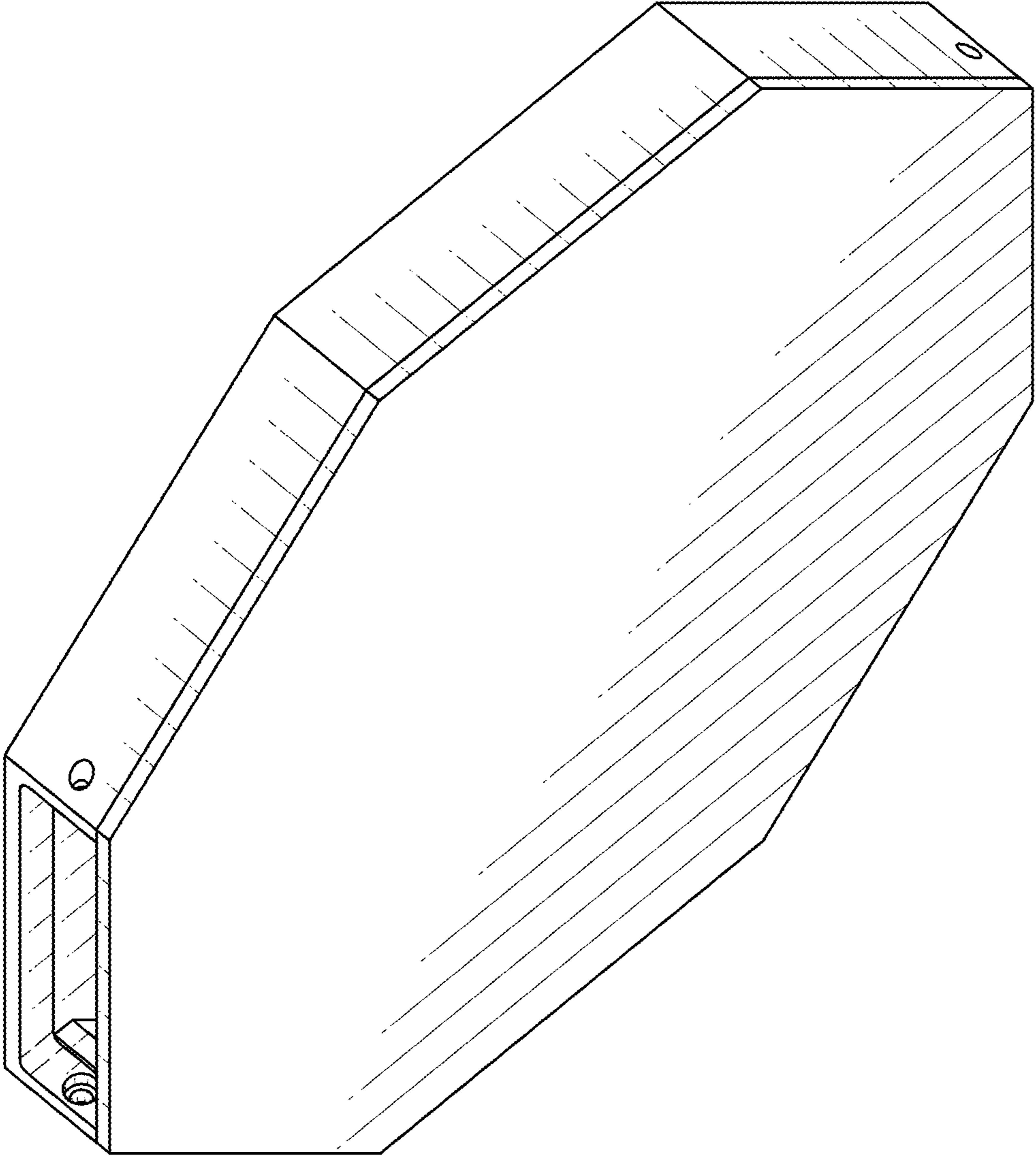


FIG. 2

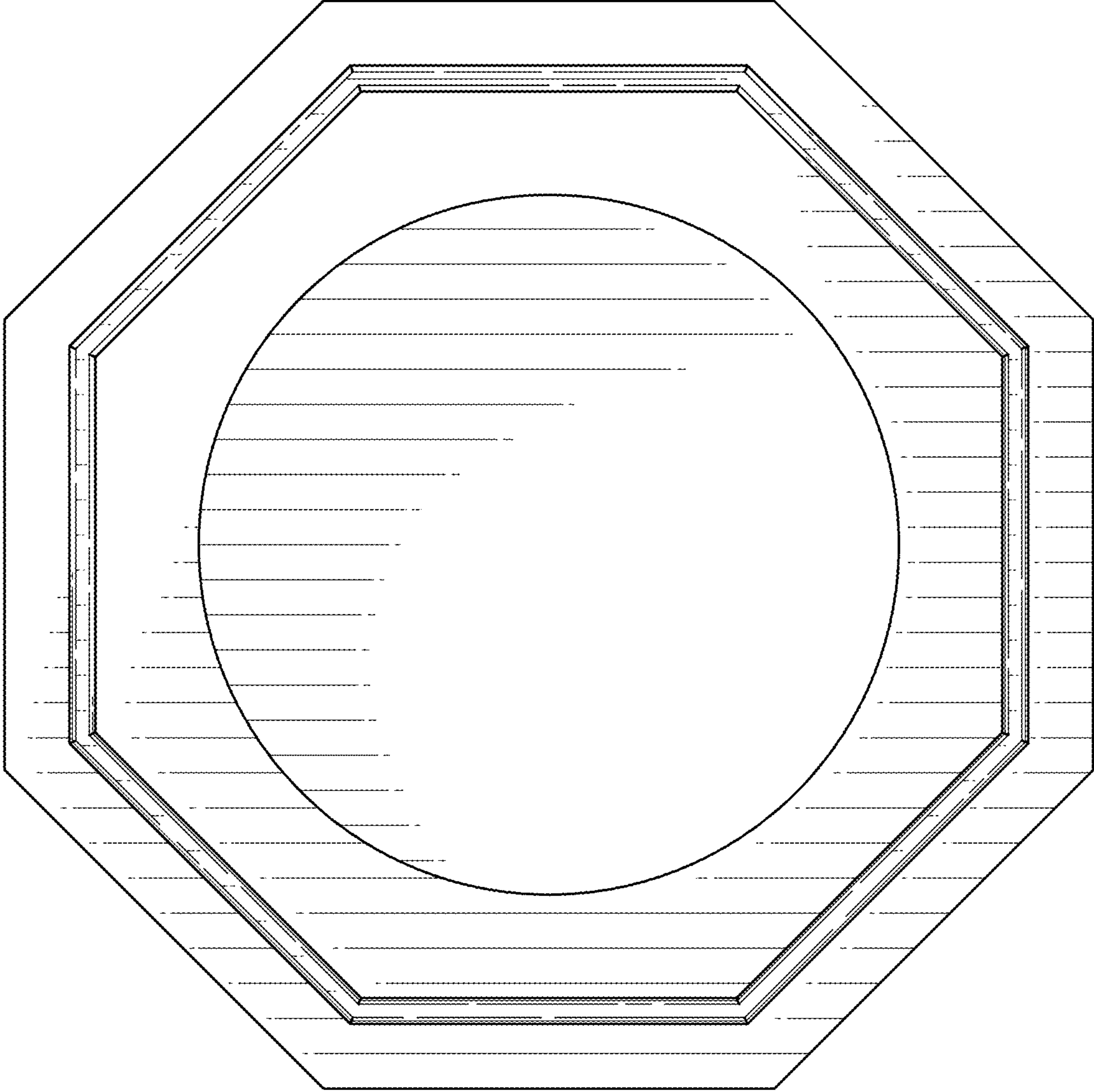


FIG. 3

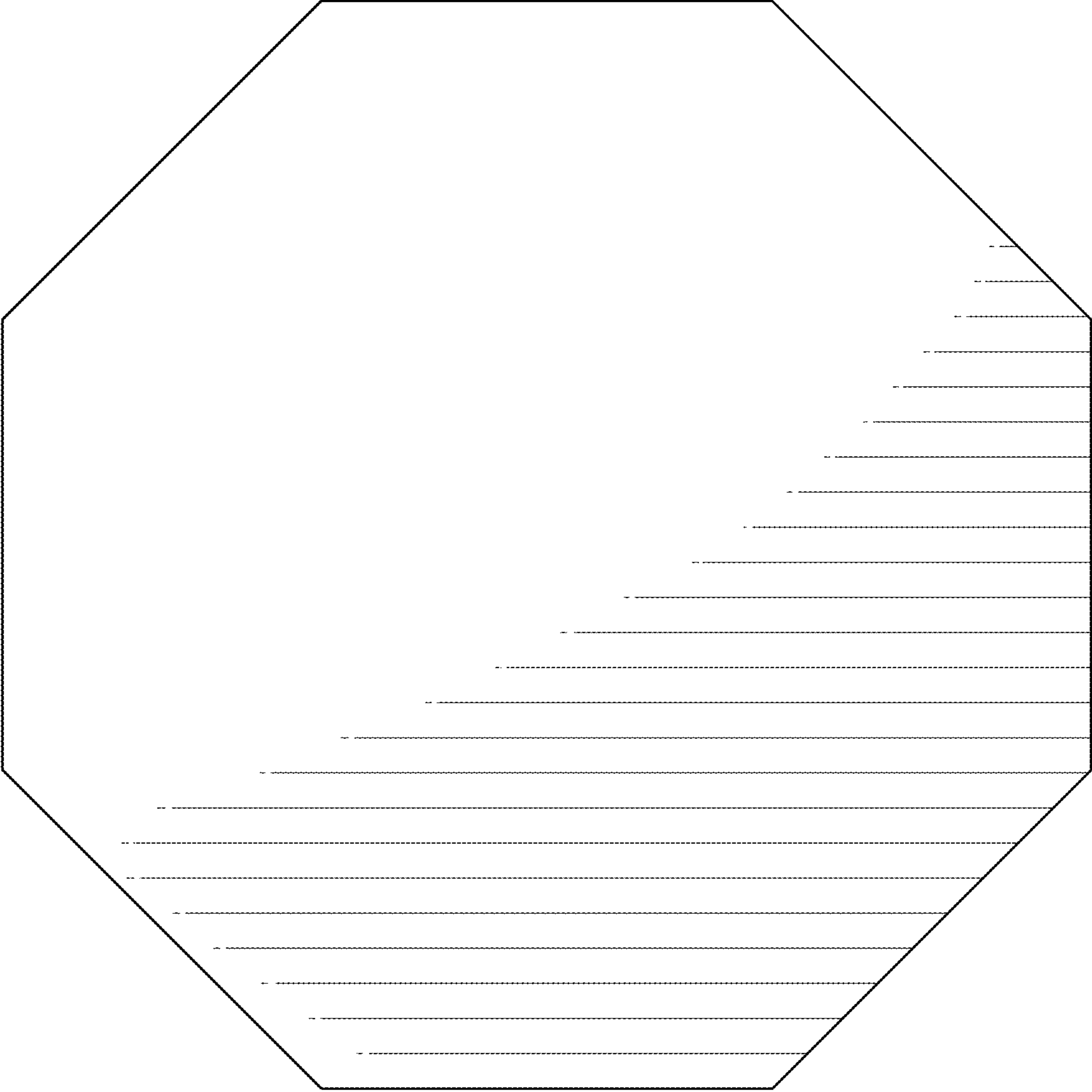


FIG. 4

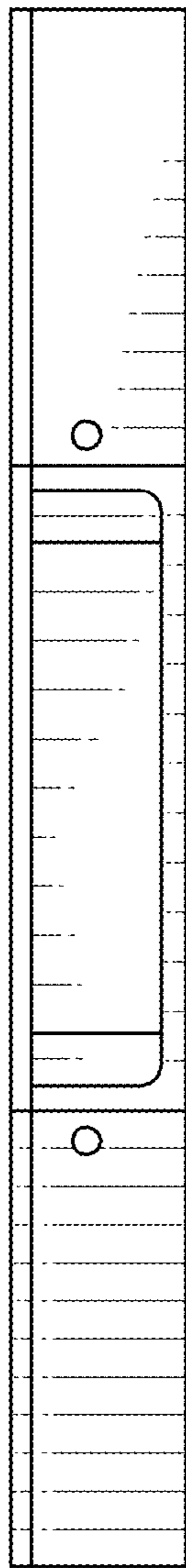


FIG. 5

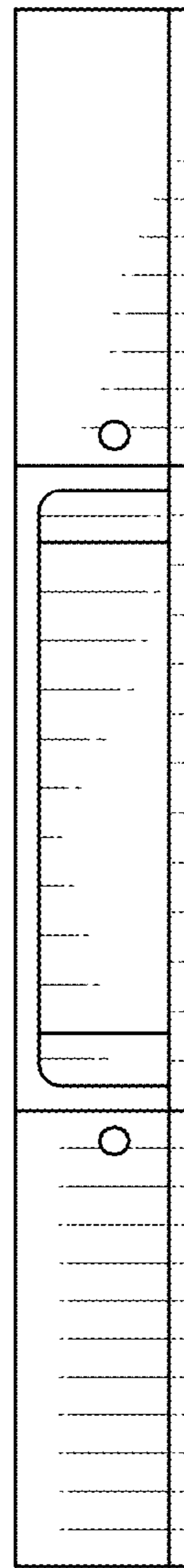


FIG. 6

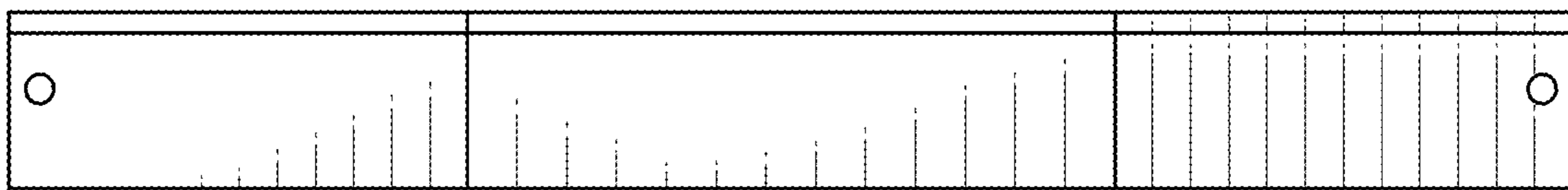


FIG. 7

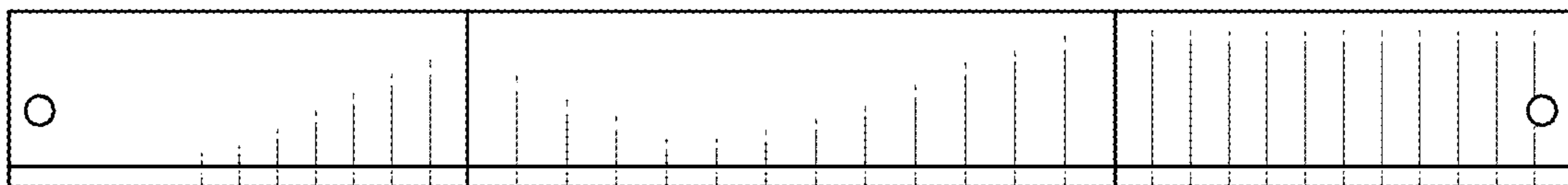


FIG. 8

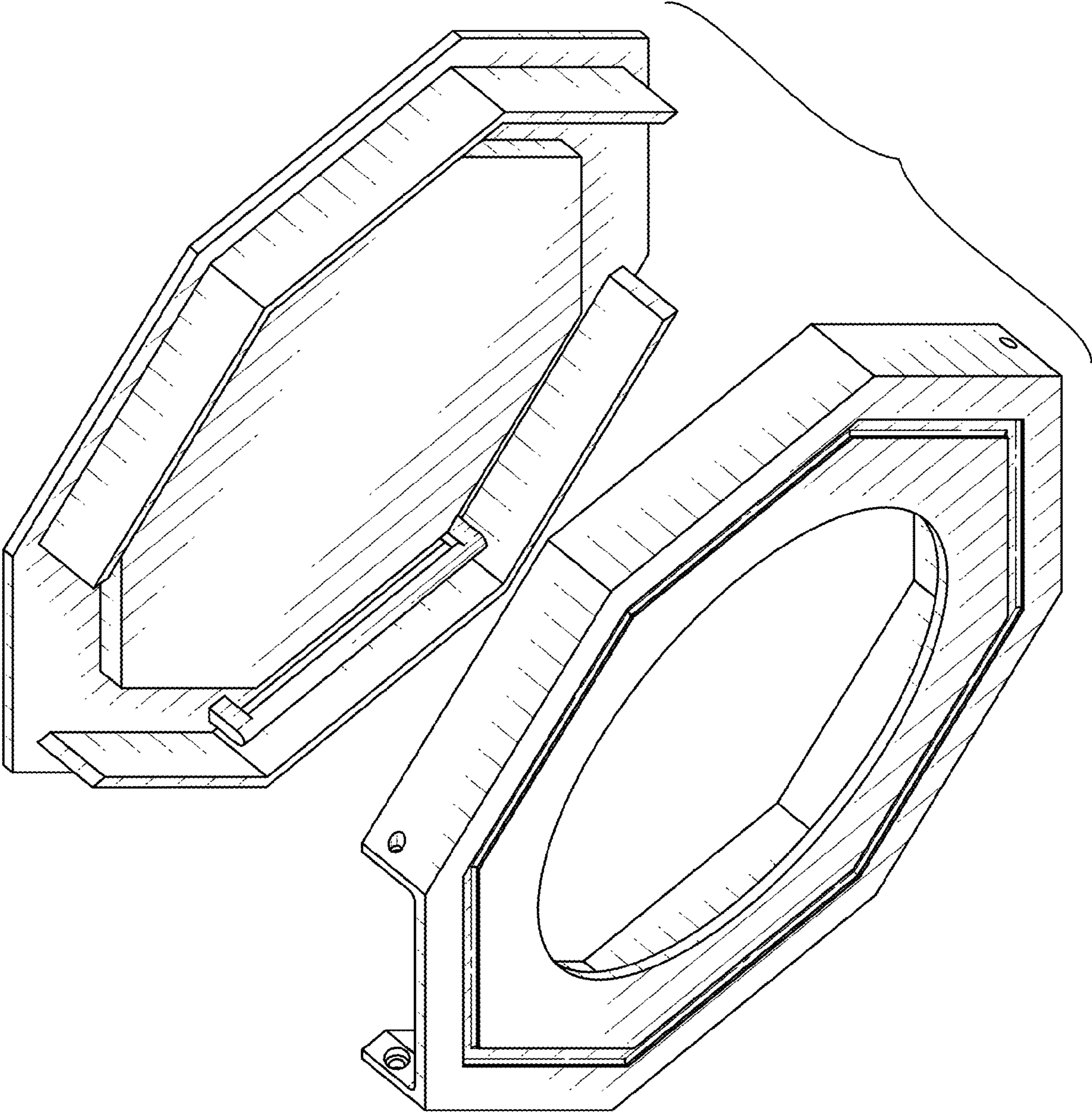


FIG. 9

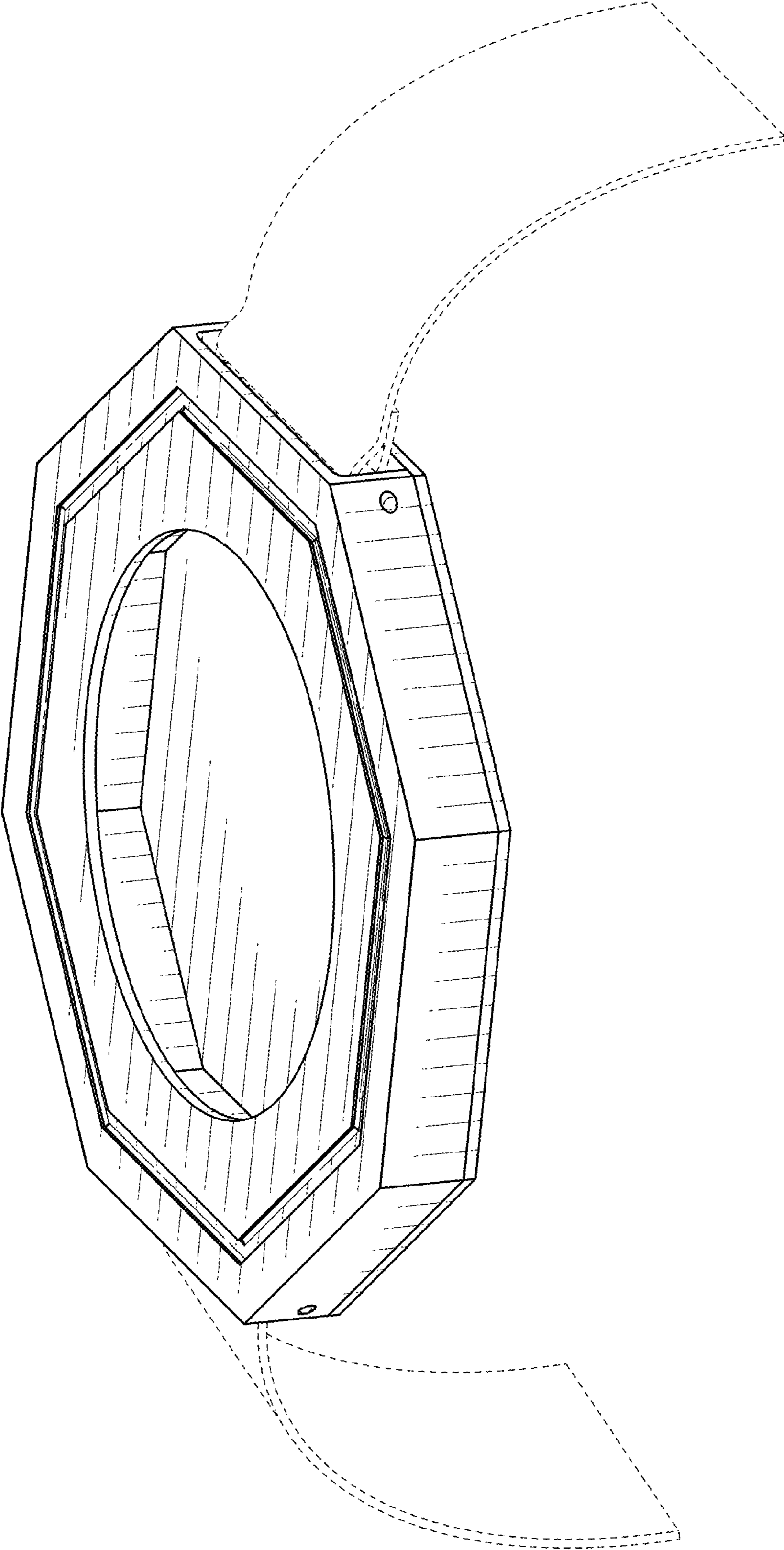


FIG. 10

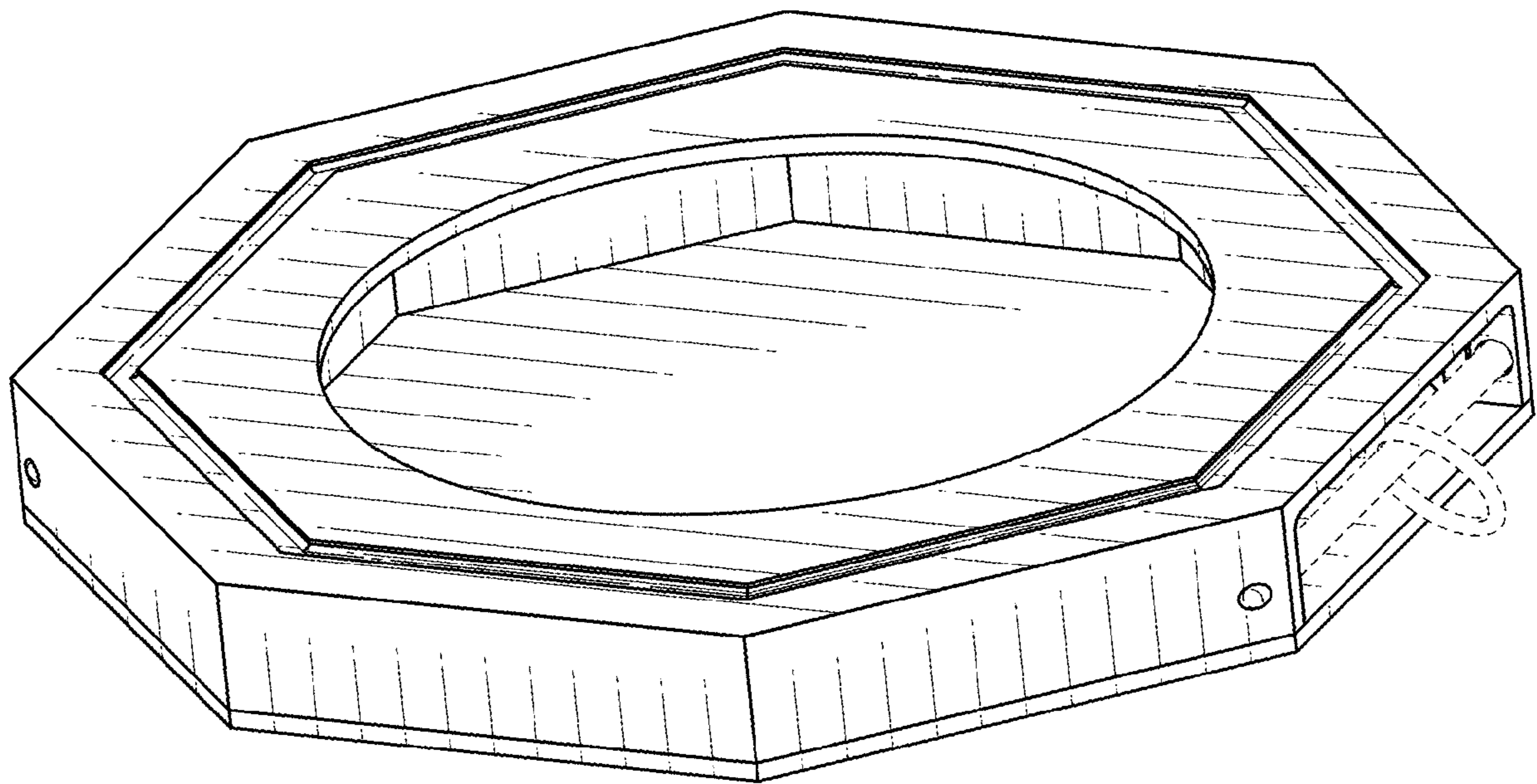


FIG. 11