



US00D878232S

(12) **United States Design Patent**
Cheng et al.

(10) **Patent No.:** **US D878,232 S**
(45) **Date of Patent:** **** Mar. 17, 2020**

(54) **POCKET SIZE DIGITAL SCALE WITH A LAMINATED MEASURING PLATFORM AND A DETACHABLE CANTILEVERED EXTENSION ARM**

(71) Applicants: **Chia-Chin Cheng**, Tainan (TW); **John W. Holmes**, Tainan (TW)

(72) Inventors: **Chia-Chin Cheng**, Tainan (TW); **John W. Holmes**, Tainan (TW)

(73) Assignee: **Riverstone Audio LLC**, Sheridan, WY (US)

(**) Term: **15 Years**

(21) Appl. No.: **29/667,673**

(22) Filed: **Oct. 24, 2018**

(51) **LOC (12) Cl.** **10-04**

(52) **U.S. Cl.**
USPC **D10/91**

(58) **Field of Classification Search**
USPC D10/91, 92

(Continued)

(56) **References Cited**

U.S. PATENT DOCUMENTS

D550,110 S * 9/2007 Kesselman D10/91
D578,420 S * 10/2008 Kesselman D10/91

(Continued)

Primary Examiner — Antoine Duval Davis

(57) **CLAIM**

The ornamental design of a pocket size digital scale with a laminated measuring platform and a detachable cantilevered extension arm, as shown and described.

DESCRIPTION

FIG. 1 is an elevated perspective view of a first embodiment of the digital scale, showing the digital scale with the cover

removed and the cantilevered extension arm attached to the laminated measuring platform.

FIG. 2 is a bottom plan view of the embodiment of FIG. 1. FIG. 3 is a rear side elevational view of the embodiment of FIG. 1 in an upside down position.

FIG. 4 is a top plan view of the embodiment of FIG. 1. FIG. 5 is a front side elevational view of the embodiment of FIG. 1.

FIG. 6 is a left side elevational view of the embodiment of FIG. 1.

FIG. 7 is a right side elevational view of the embodiment of FIG. 1.

FIG. 8 is an elevated perspective view of a second embodiment of the digital scale, showing the digital scale with the cover removed and the laminated measuring platform exposed.

FIG. 9 is a bottom plan view of the embodiment of FIG. 8.

FIG. 10 is a rear side elevational view of the embodiment of FIG. 8 in an upside down position.

FIG. 11 is a top plan view of the embodiment of FIG. 8.

FIG. 12 is a front side elevational view of the embodiment of FIG. 8.

FIG. 13 is a left side elevational view of the embodiment of FIG. 8.

FIG. 14 is a right side elevational view of the embodiment of FIG. 8.

FIG. 15 is an elevated perspective view of a third embodiment of the digital scale, showing the digital scale with the cover in a closed position.

FIG. 16 is a rear side elevational view of the embodiment of FIG. 15 in an upside down position.

FIG. 17 is a top plan view of the embodiment of FIG. 15.

FIG. 18 is a front side elevational view of the embodiment of FIG. 15.

FIG. 19 is a left side elevational view of the embodiment of FIG. 15.

FIG. 20 is a right side elevational view of the embodiment of FIG. 15.

FIG. 21 is an elevated perspective view of the detachable cantilevered extension arm.

FIG. 22 is a front side elevational view of the detachable cantilevered extension arm.

(Continued)

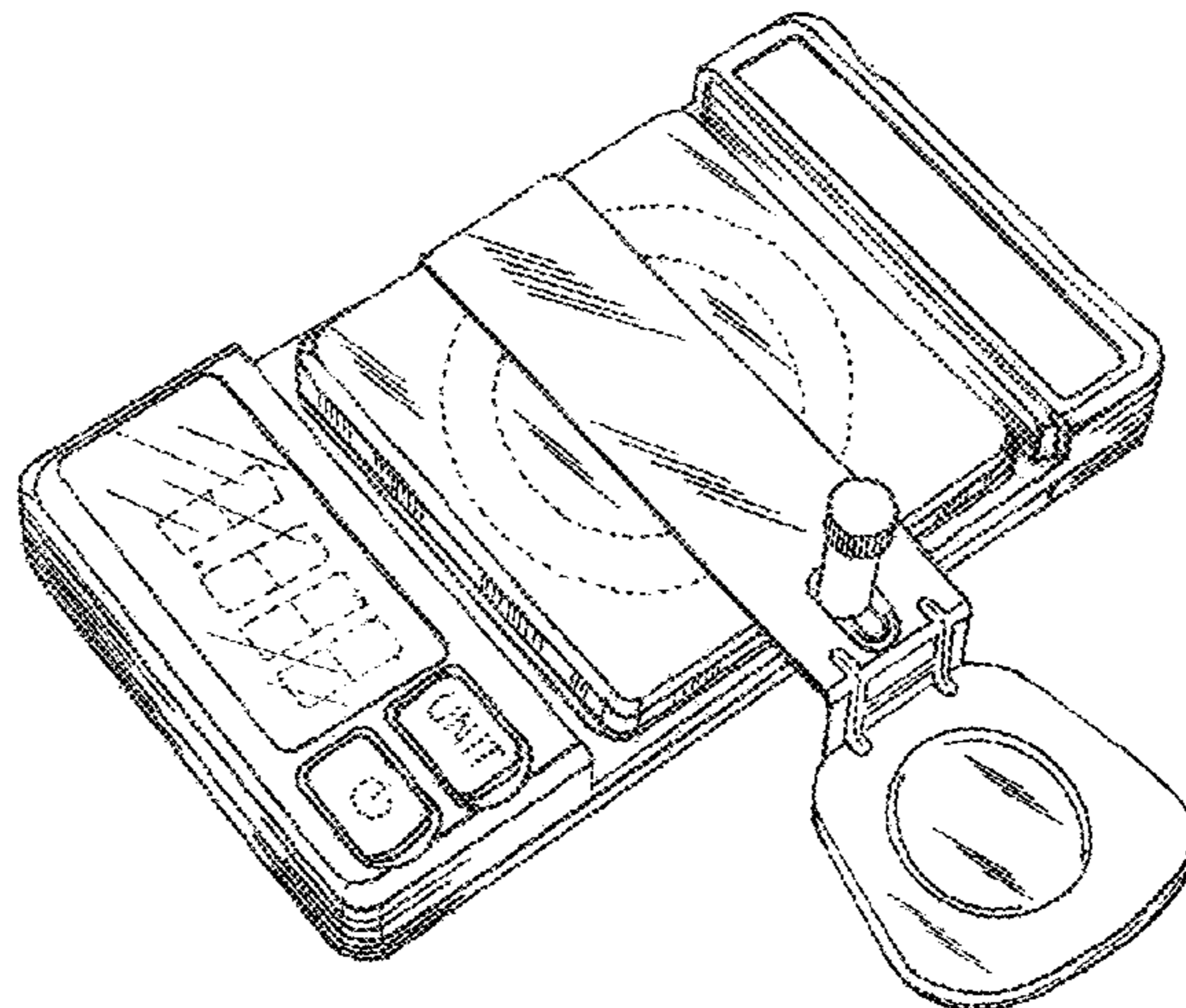


FIG. 23 is a rear side elevational view of the detachable cantilevered extension arm.
FIG. 24 is a left side elevational view of the detachable cantilevered extension arm.
FIG. 25 is a top plan view of the detachable cantilevered extension arm.
FIG. 26 is a bottom plan view of the detachable cantilevered extension arm.
FIG. 27 is a right side elevational view of the detachable cantilevered extension arm.
FIG. 28 is a rear side elevational view of the laminated measuring platform in an upside down position.
FIG. 29 is a top plan view of the laminated measuring platform.
FIG. 30 is a bottom plan view of the laminated measuring platform.
FIG. 31 is a front side elevational view of the laminated measuring platform.
FIG. 32 is a left side elevational view of the laminated measuring platform.
FIG. 33 is a right side elevational view of the laminated measuring platform.
FIG. 34 is a rear side elevational view of the cover in an upside down position.
FIG. 35 is a top plan view of the cover.
FIG. 36 is a bottom plan view of the cover.
FIG. 37 is a front side elevational view of the cover.
FIG. 38 is a left side elevational view of the cover.
FIG. 39 is a right side elevational view of the cover.

FIG. 40 is an exploded view of the embodiment of FIG. 1.
FIG. 41 is an exploded view of the embodiment of FIG. 8;
and,
FIG. 42 is an exploded view of the embodiment of FIG. 15.
The broken lines in the drawings illustrate portions of the digital scale which form no parts of the claimed design.

1 Claim, 12 Drawing Sheets

(58) **Field of Classification Search**

CPC G01G 21/28; G01G 21/283; G01G 21/286;
G01G 21/30; G01G 23/37; G01G
23/3728; G01G 23/3735; G01G 19/44;
G01G 19/445; G01G 19/46; G01G 19/48;
G01G 19/50; G01G 21/44; G01G 19/286;
G01G 19/30; A61B 5/053; A61B 5/4872;
A61B 5/0537; A61B 5/4869; A61B
5/6825; A61B 5/6829; A61B 5/7445

See application file for complete search history.

(56) **References Cited**

U.S. PATENT DOCUMENTS

D578,421 S * 10/2008 Kesselman D10/91
D702,144 S * 4/2014 Kobayakawa D10/91
D850,958 S * 6/2019 Pan D10/91

* cited by examiner

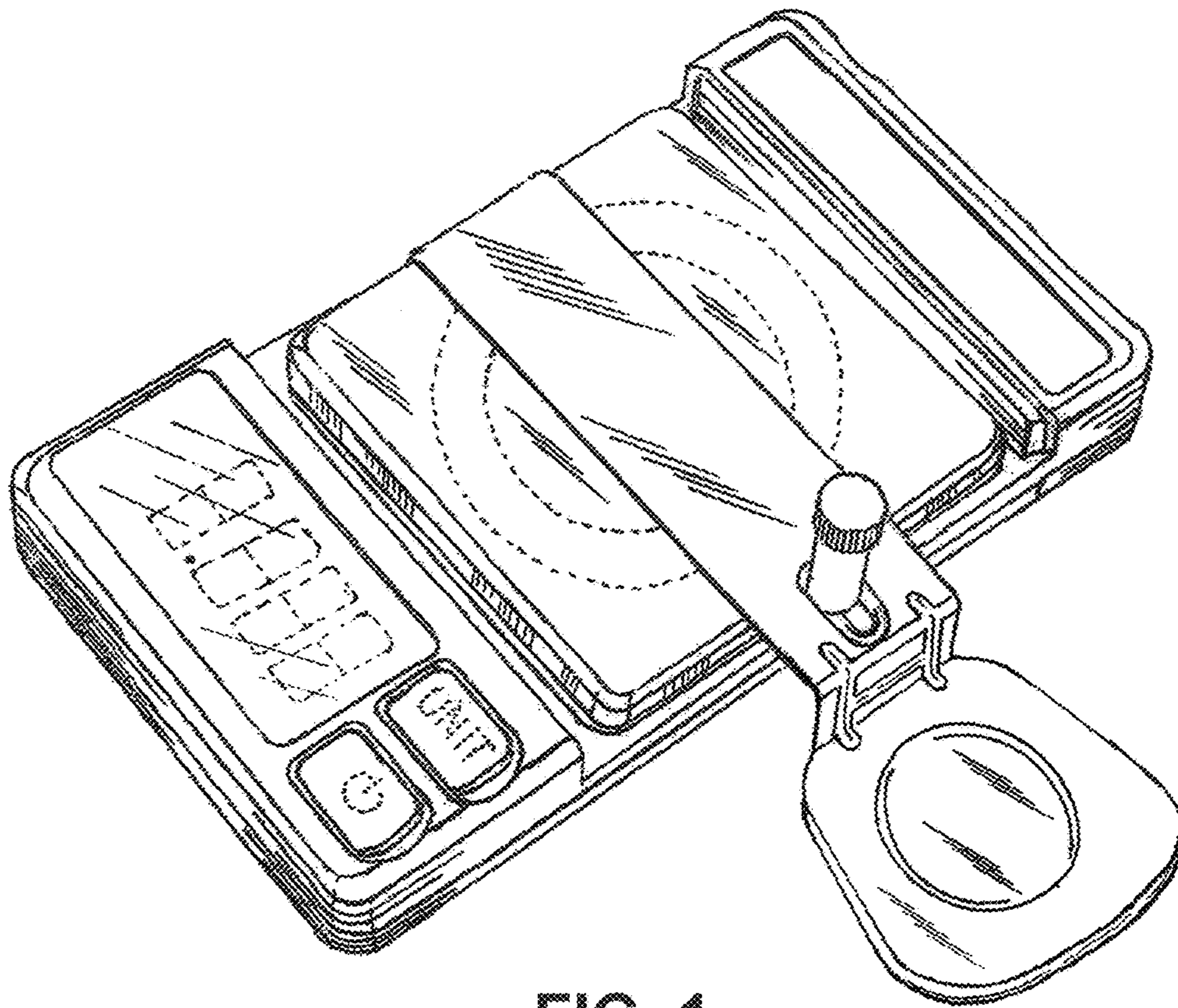


FIG. 1

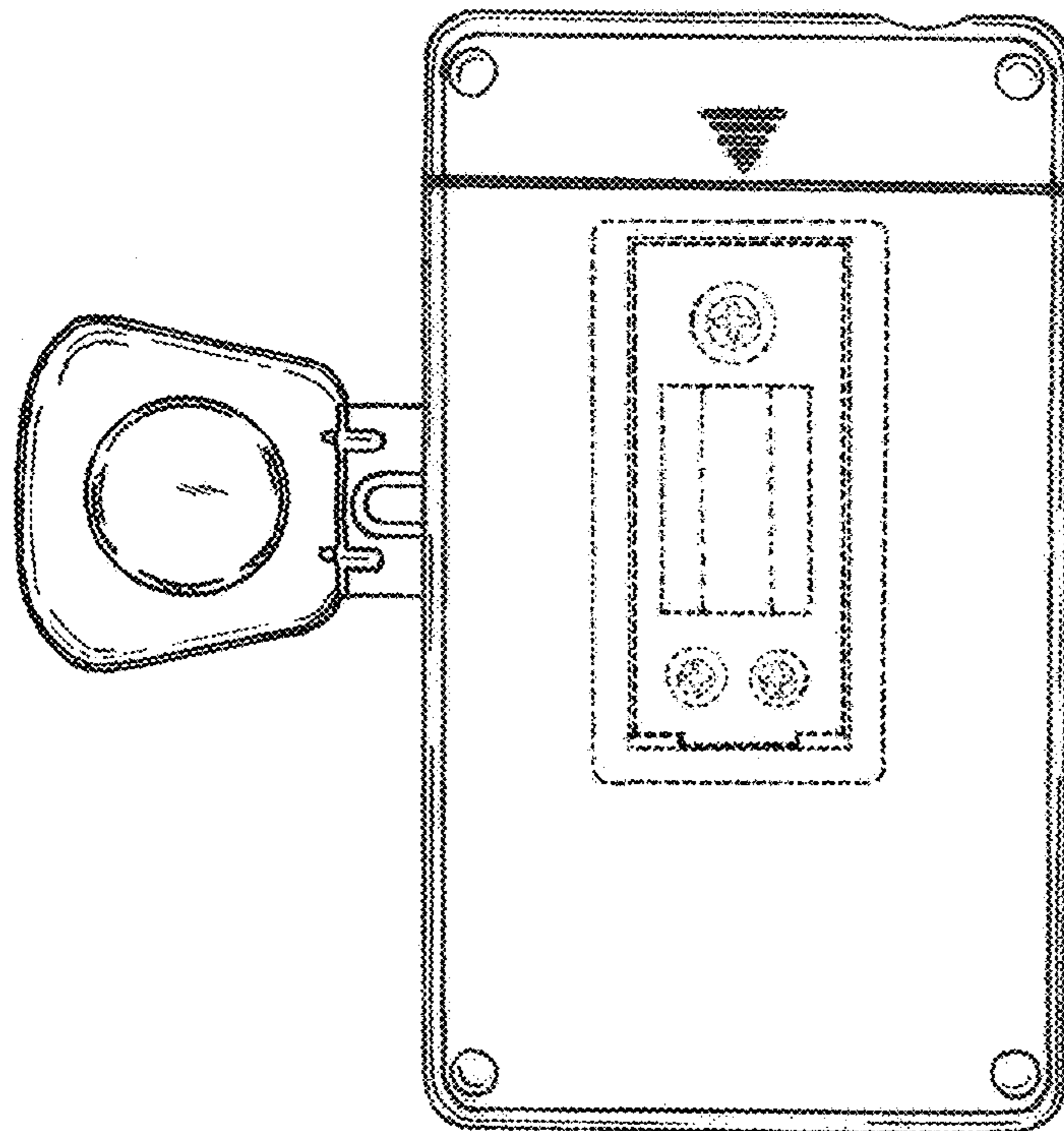


FIG. 2

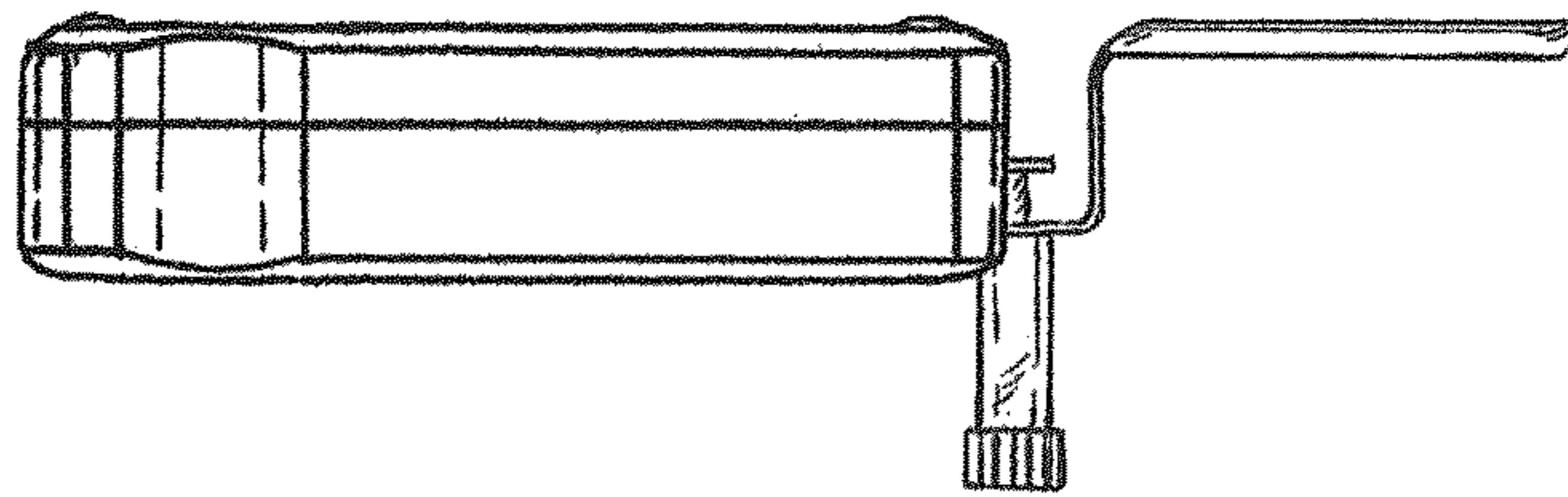


FIG. 3

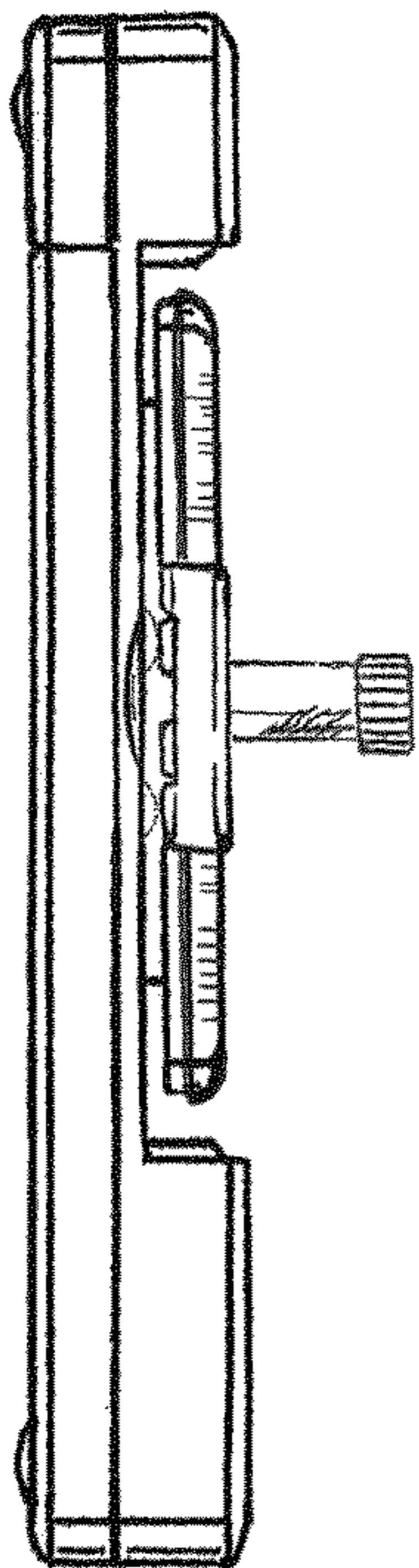


FIG. 6

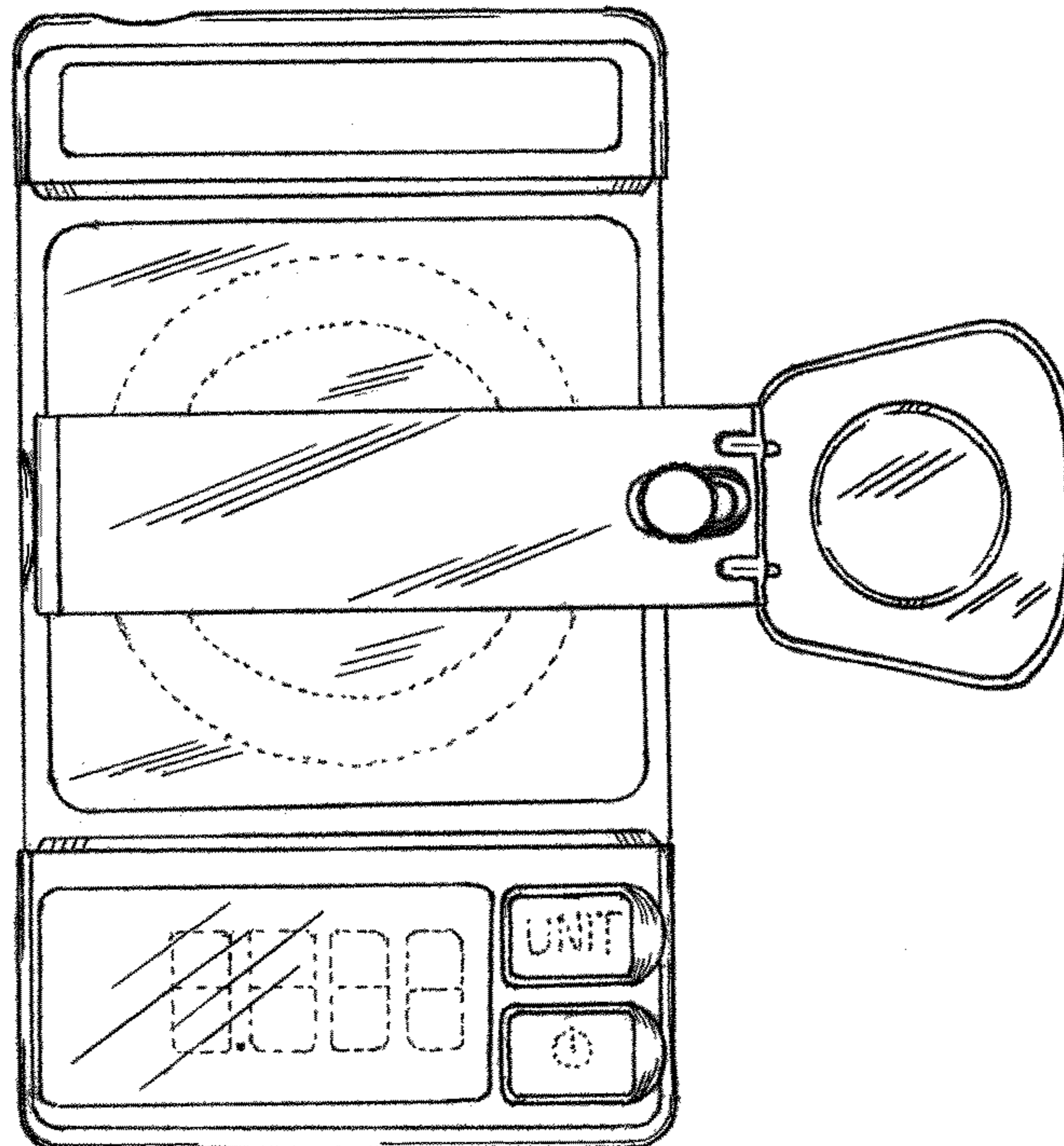


FIG. 4

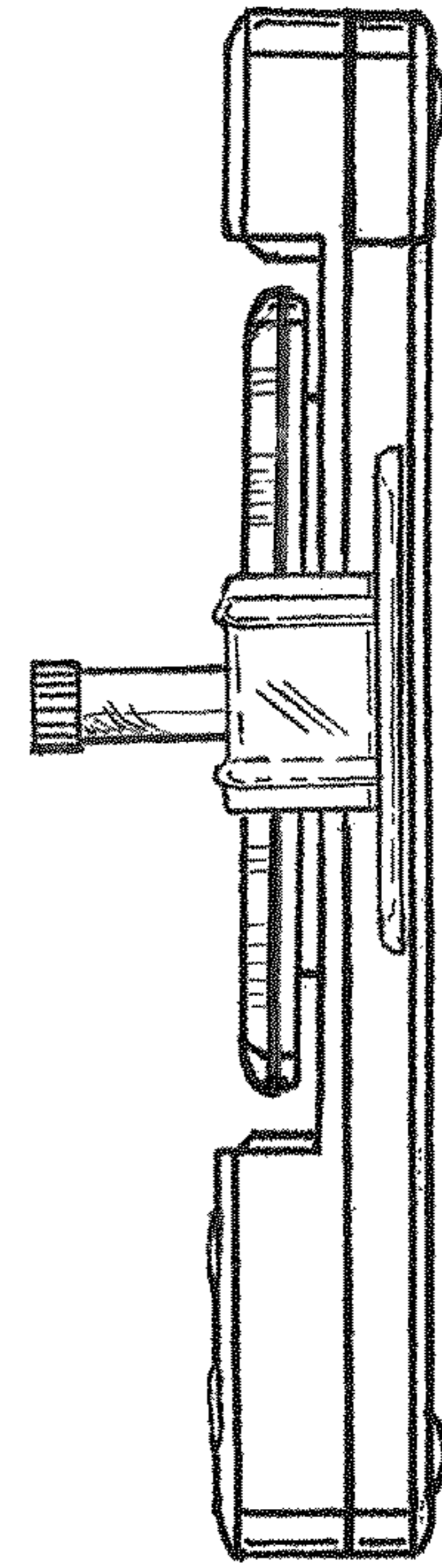


FIG. 7

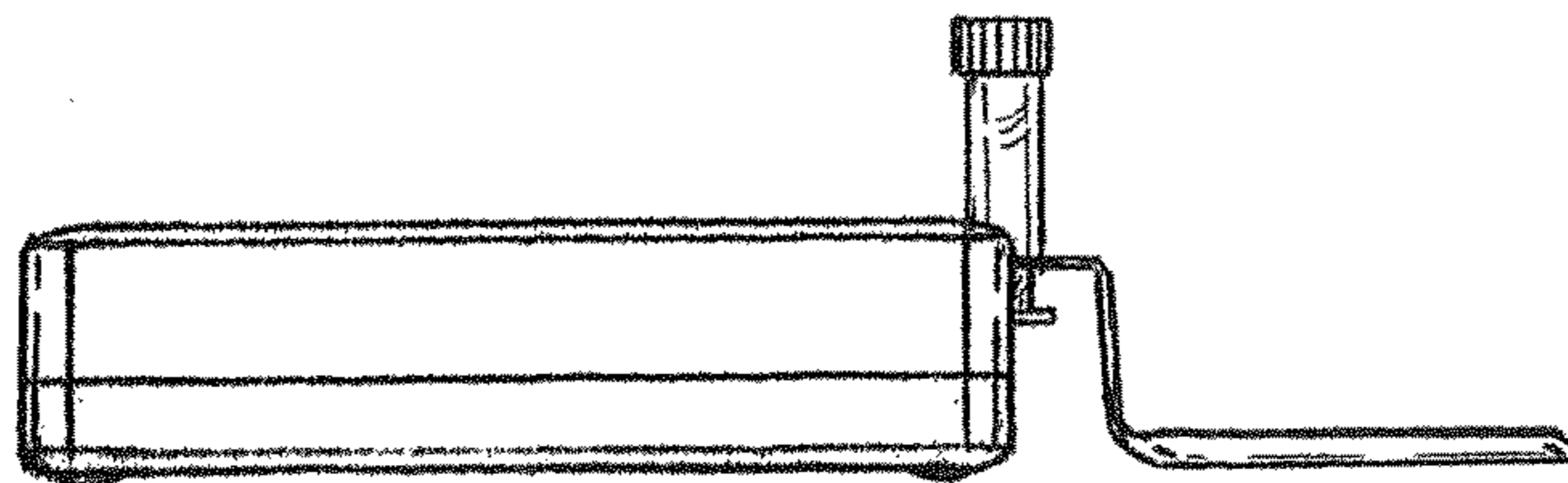


FIG. 5

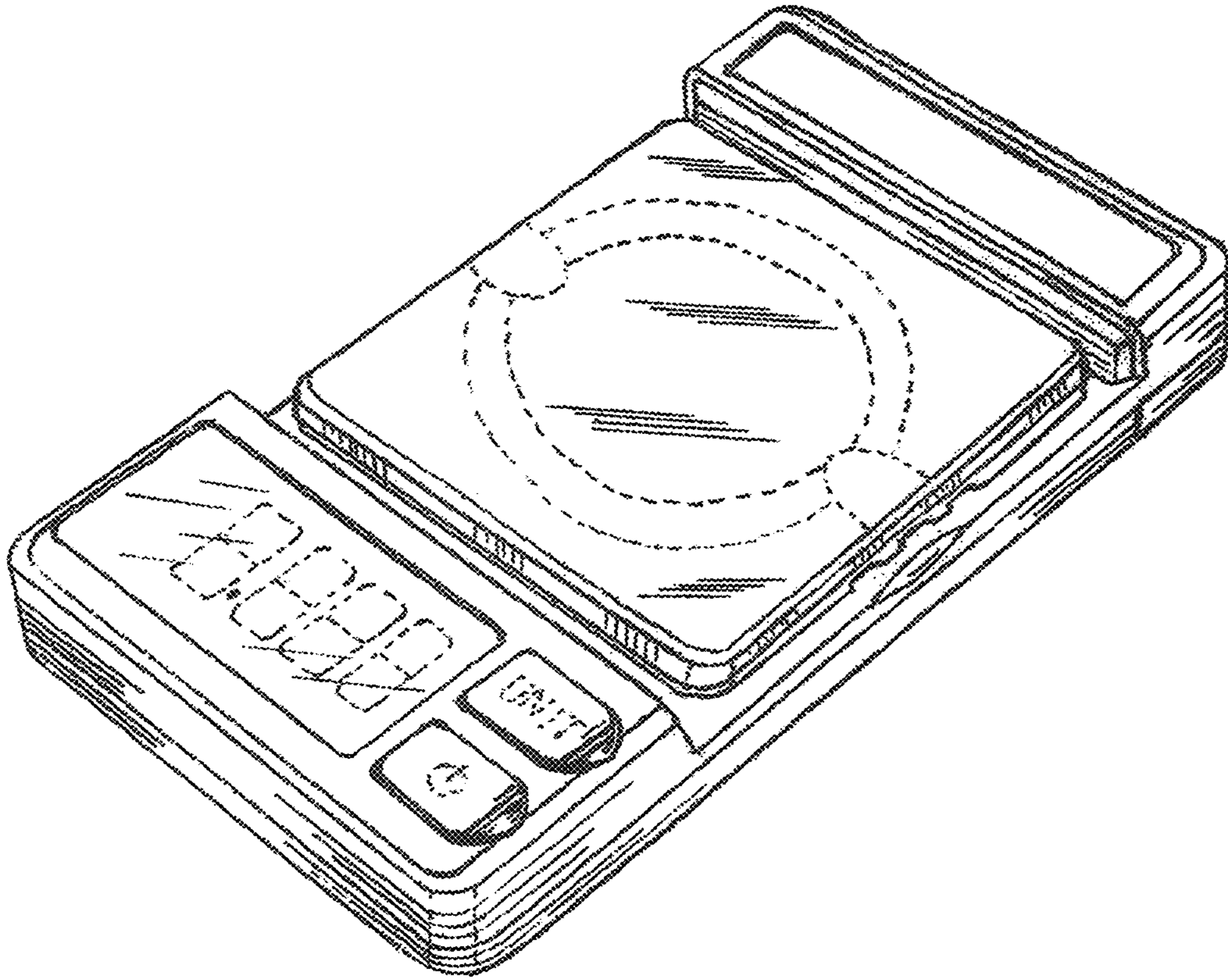


FIG. 8

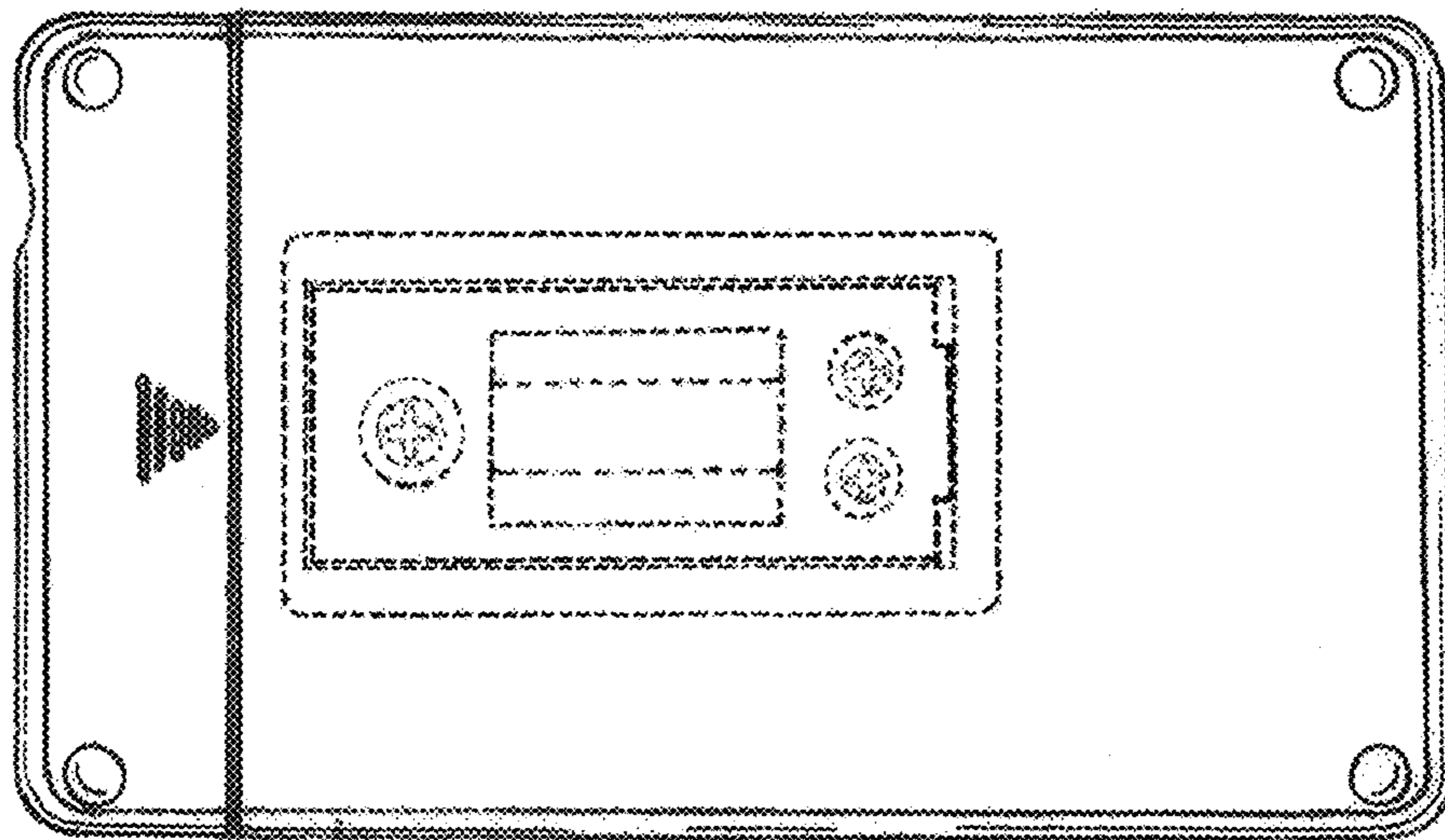


FIG. 9

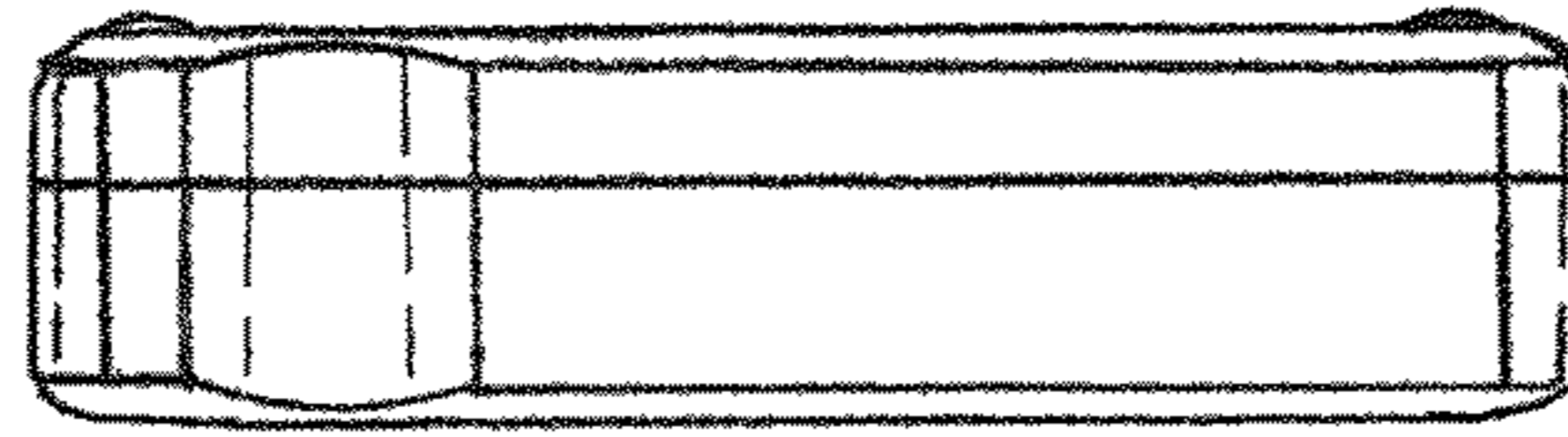


FIG. 10

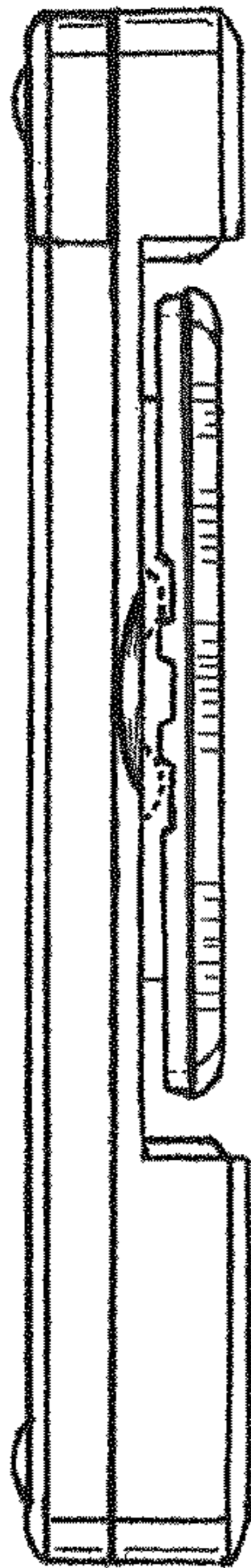


FIG. 13

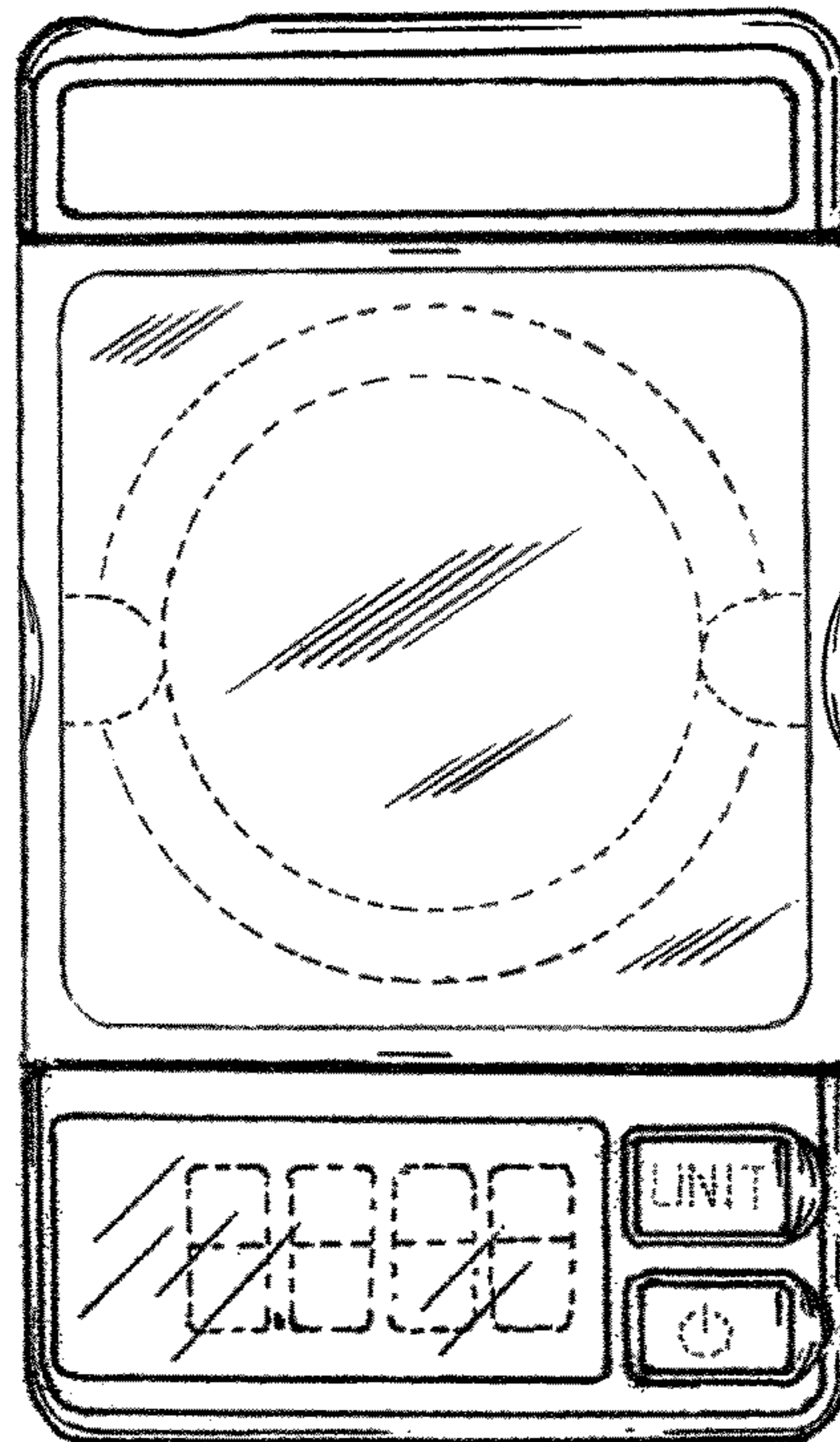


FIG. 11

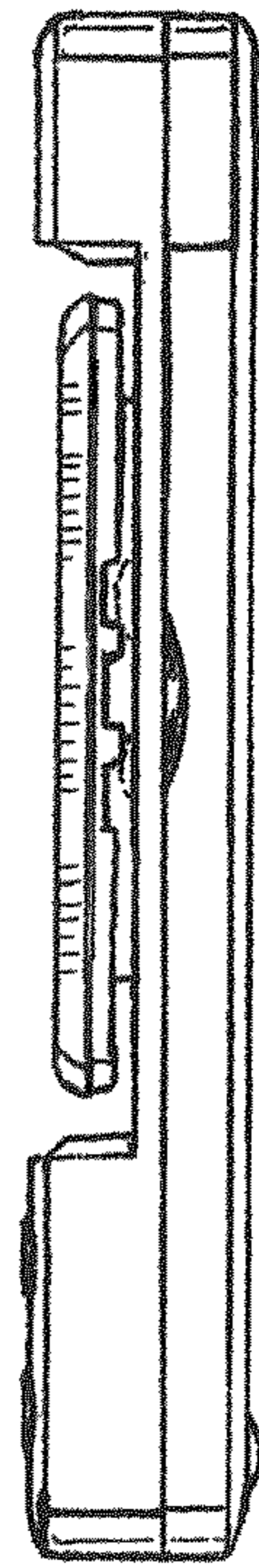


FIG. 14



FIG. 12

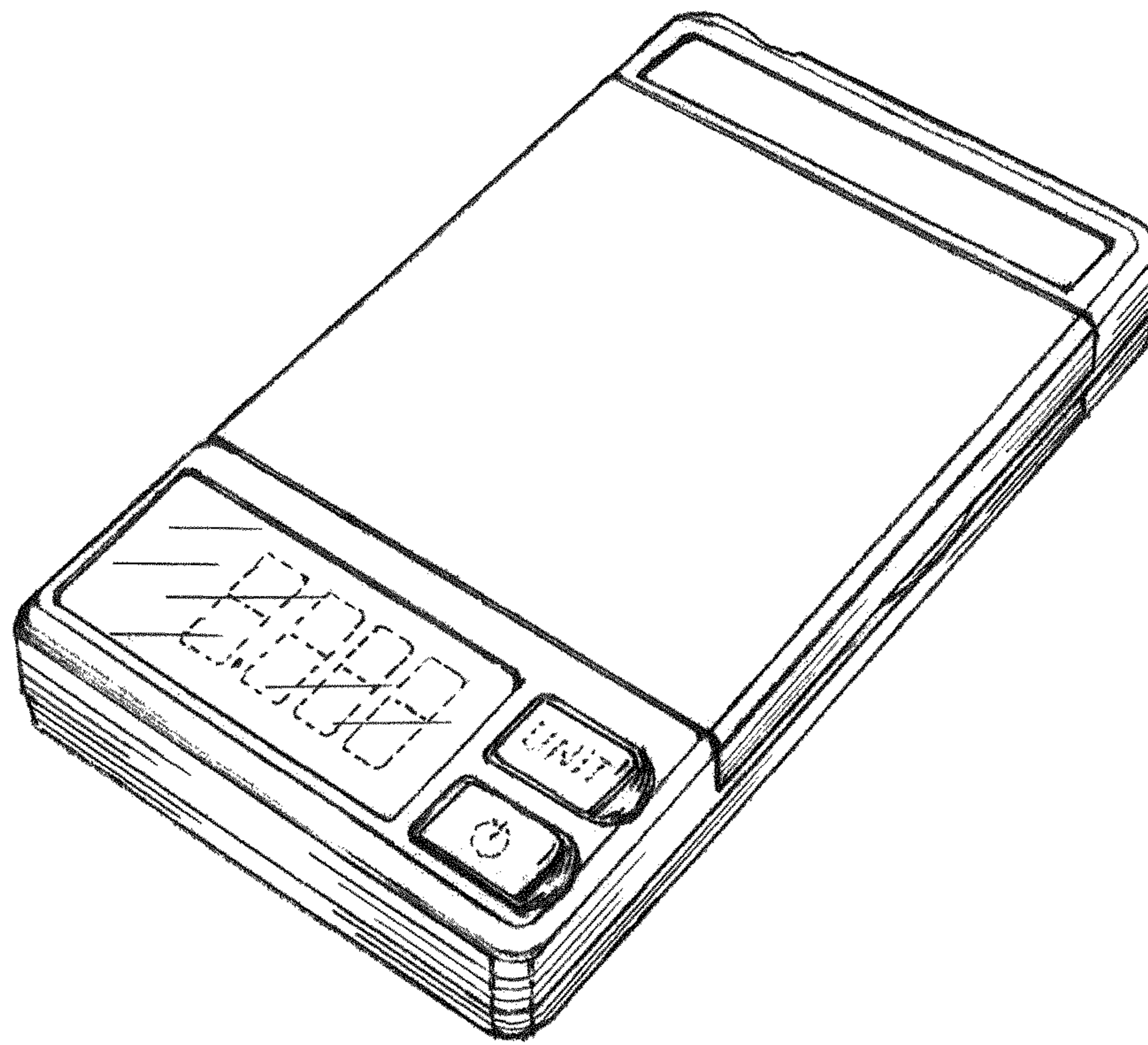


FIG. 15

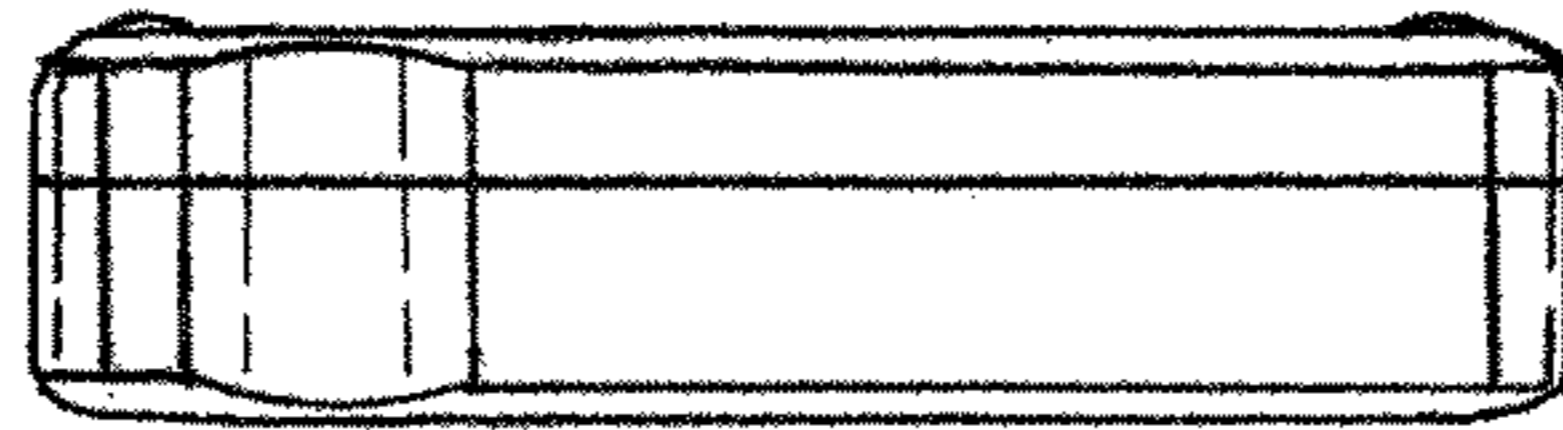


FIG. 16

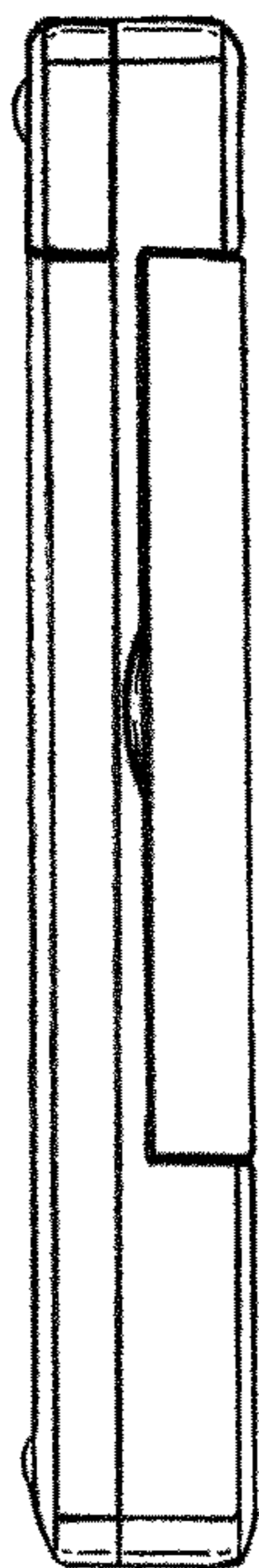


FIG. 19

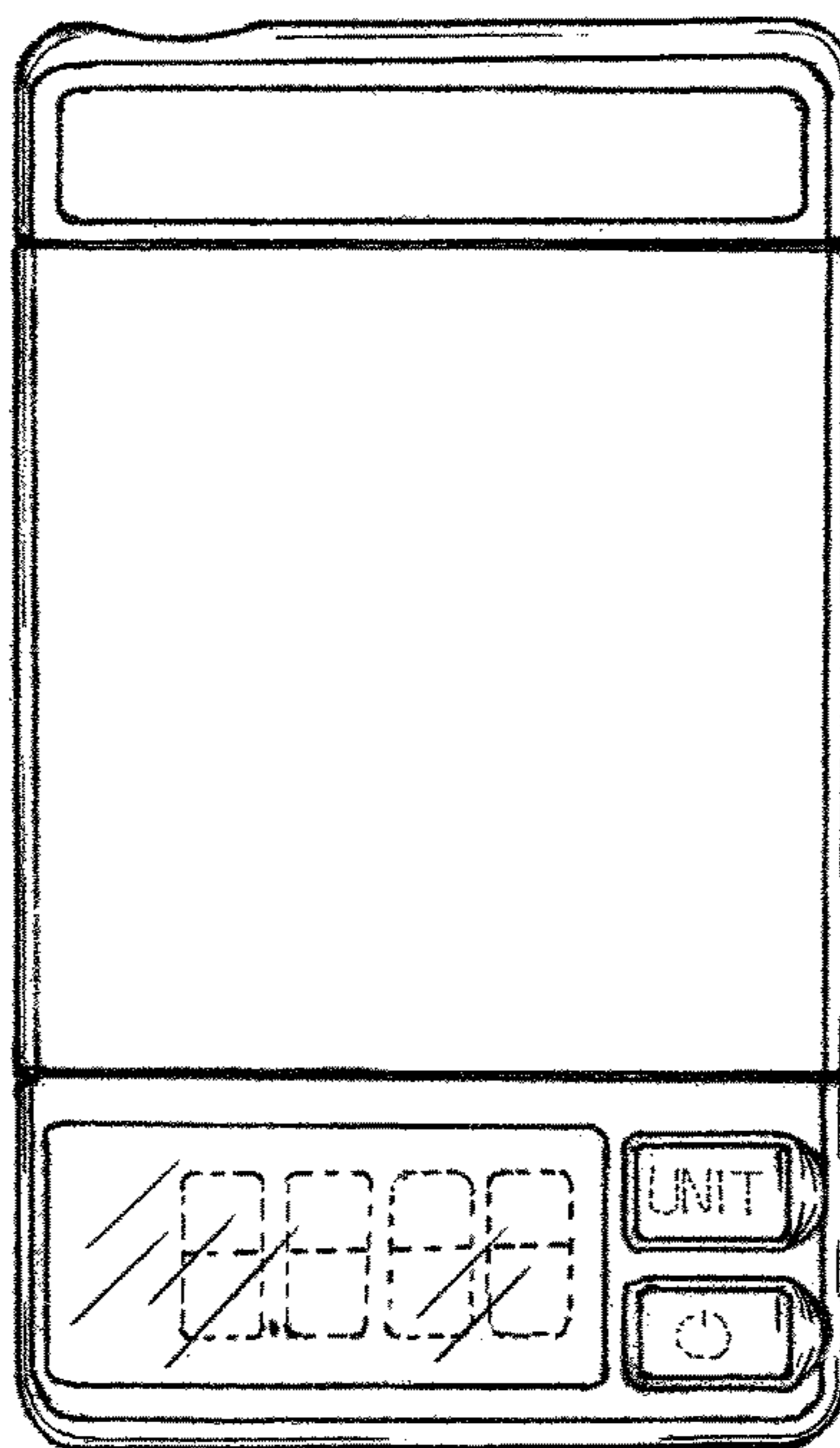


FIG. 17



FIG. 20



FIG. 18

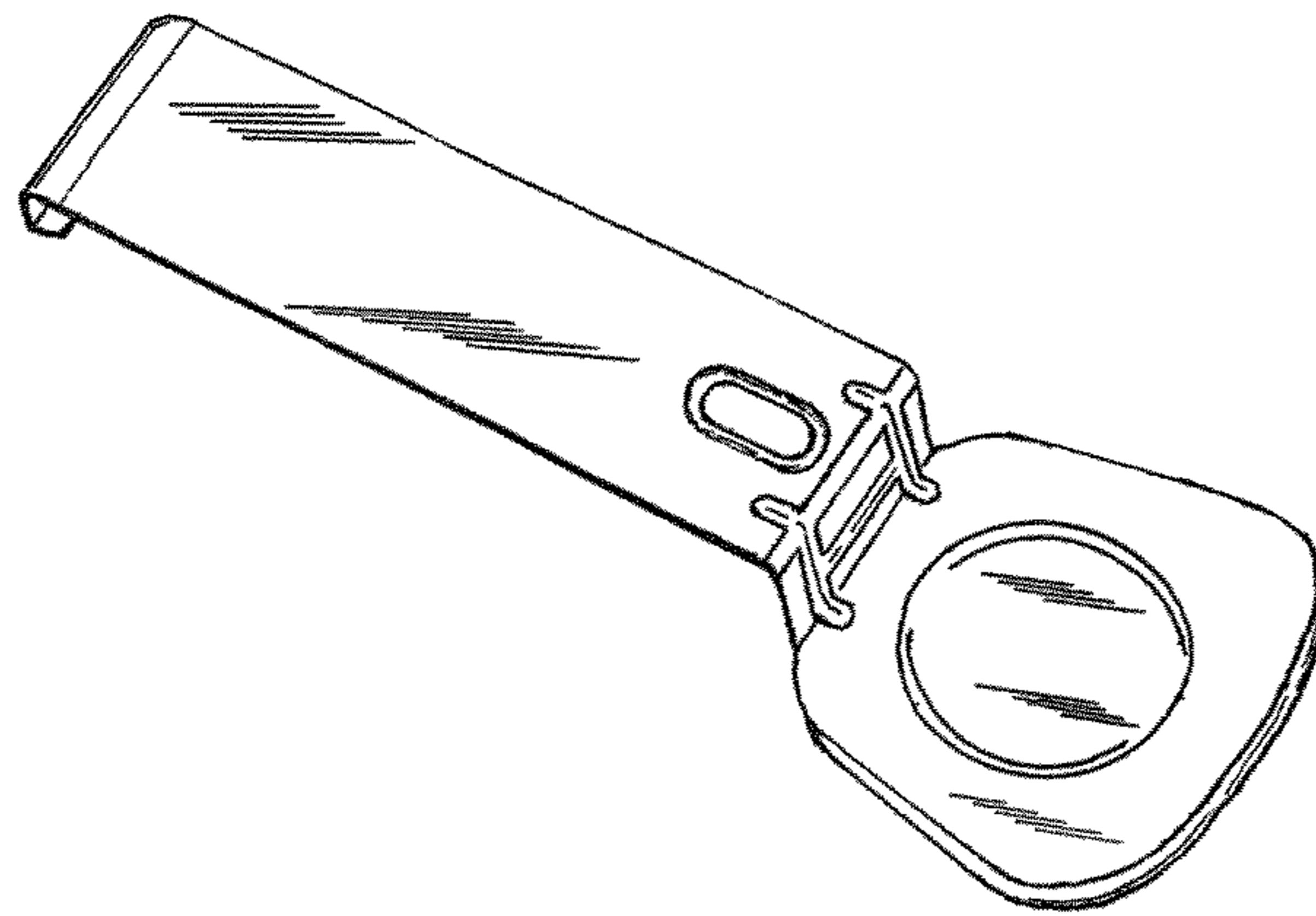


FIG. 21

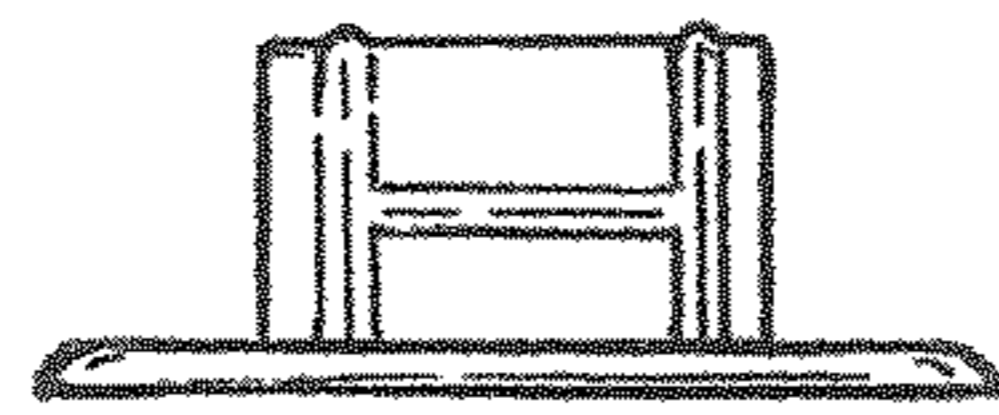


FIG. 22

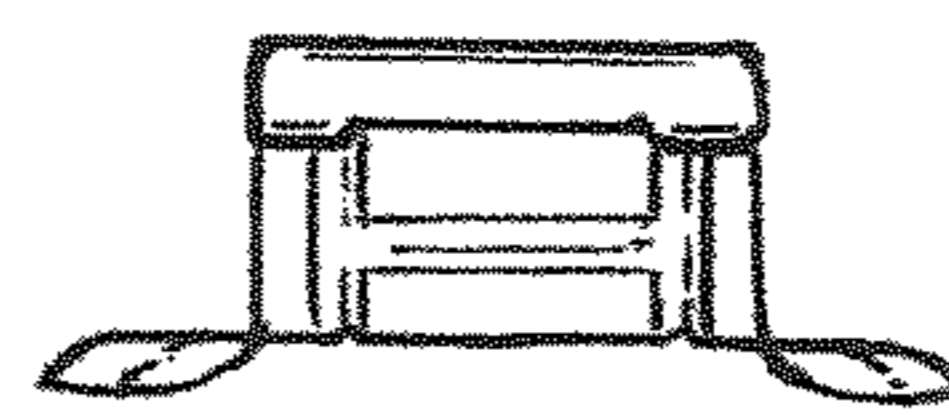


FIG. 23

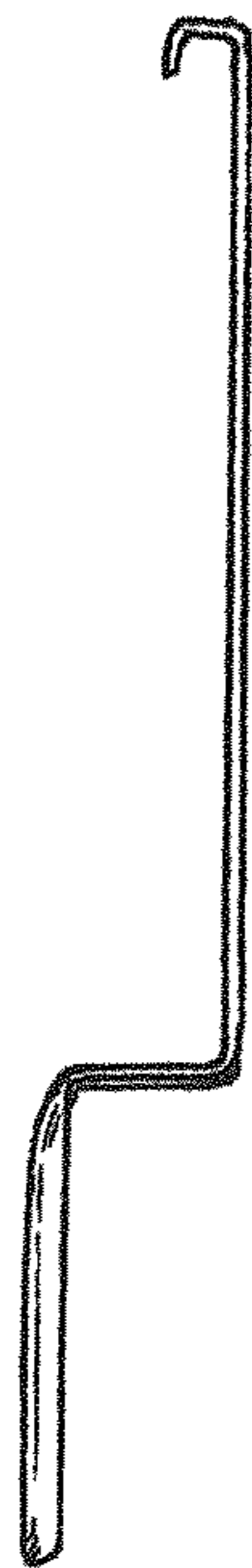


FIG. 24

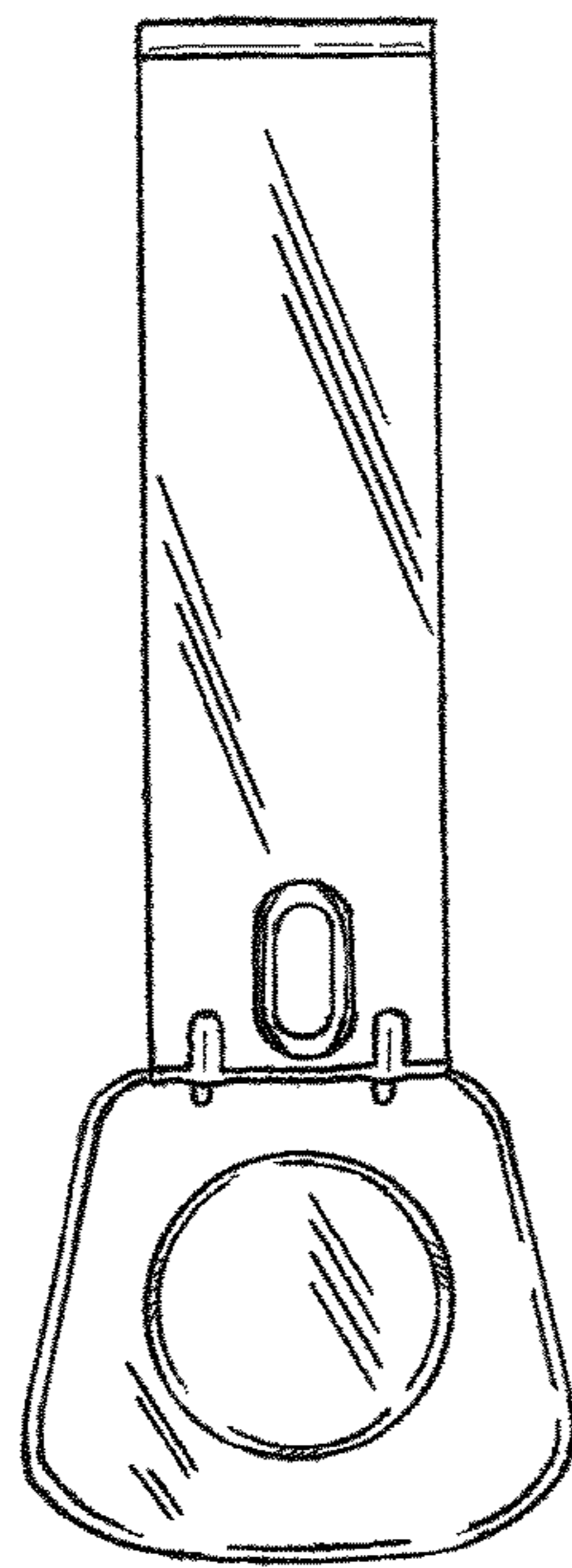


FIG. 25

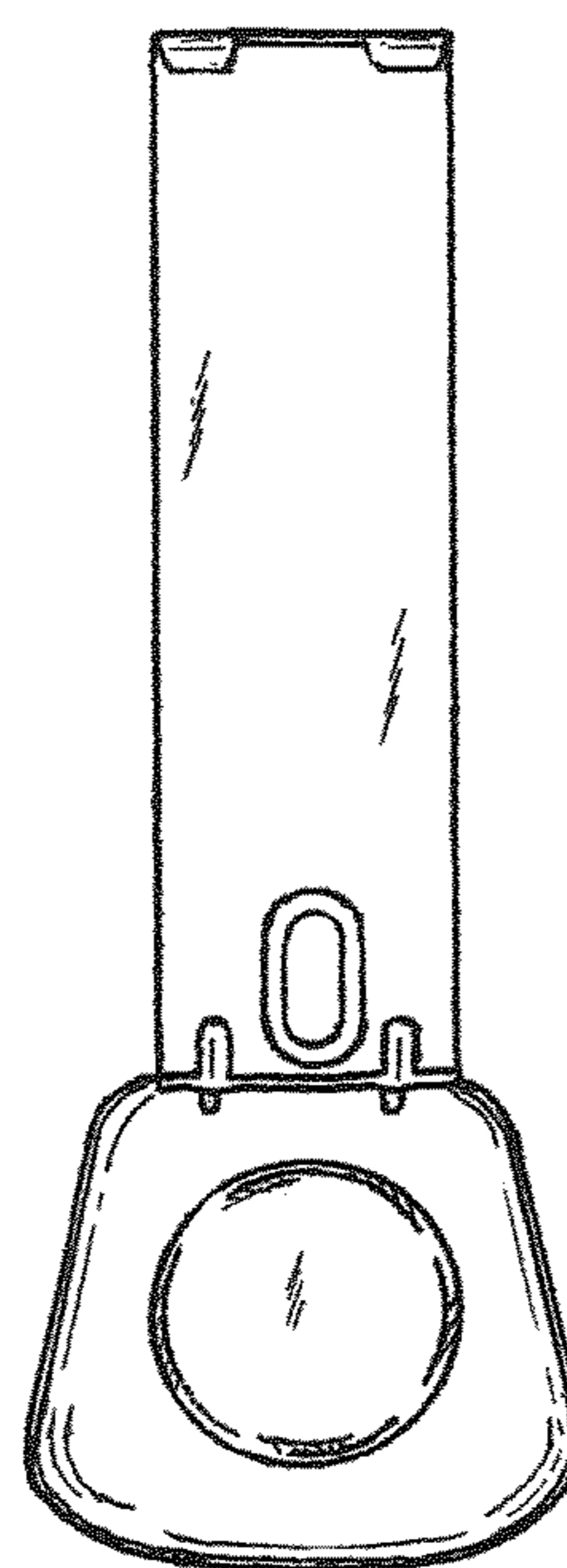


FIG. 26

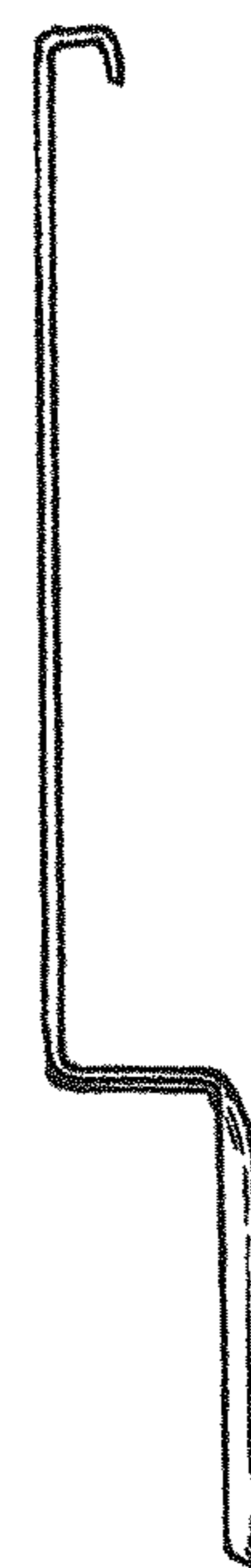


FIG. 27



FIG. 28

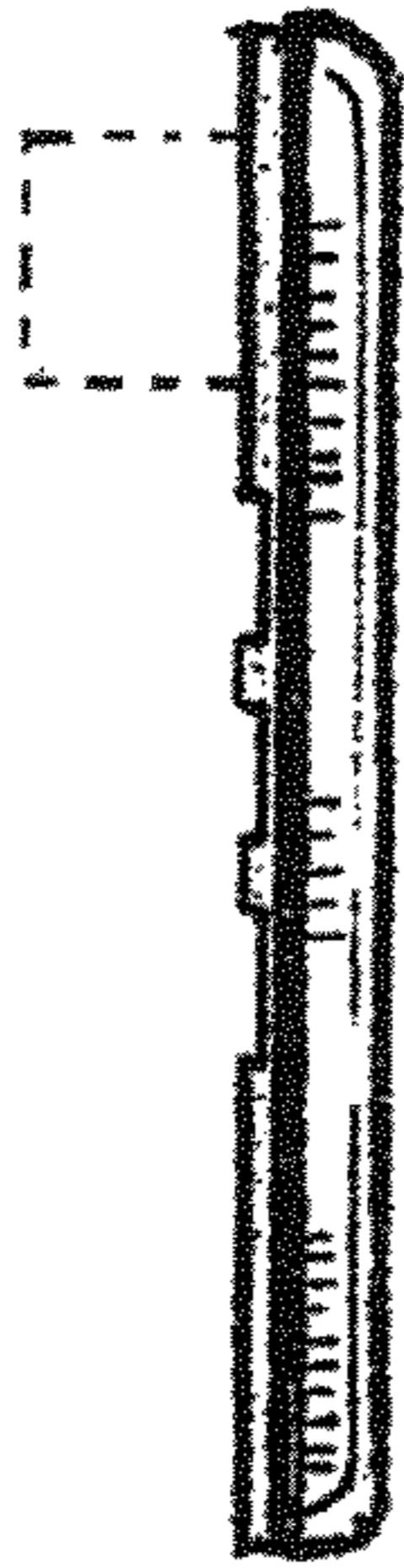


FIG. 32

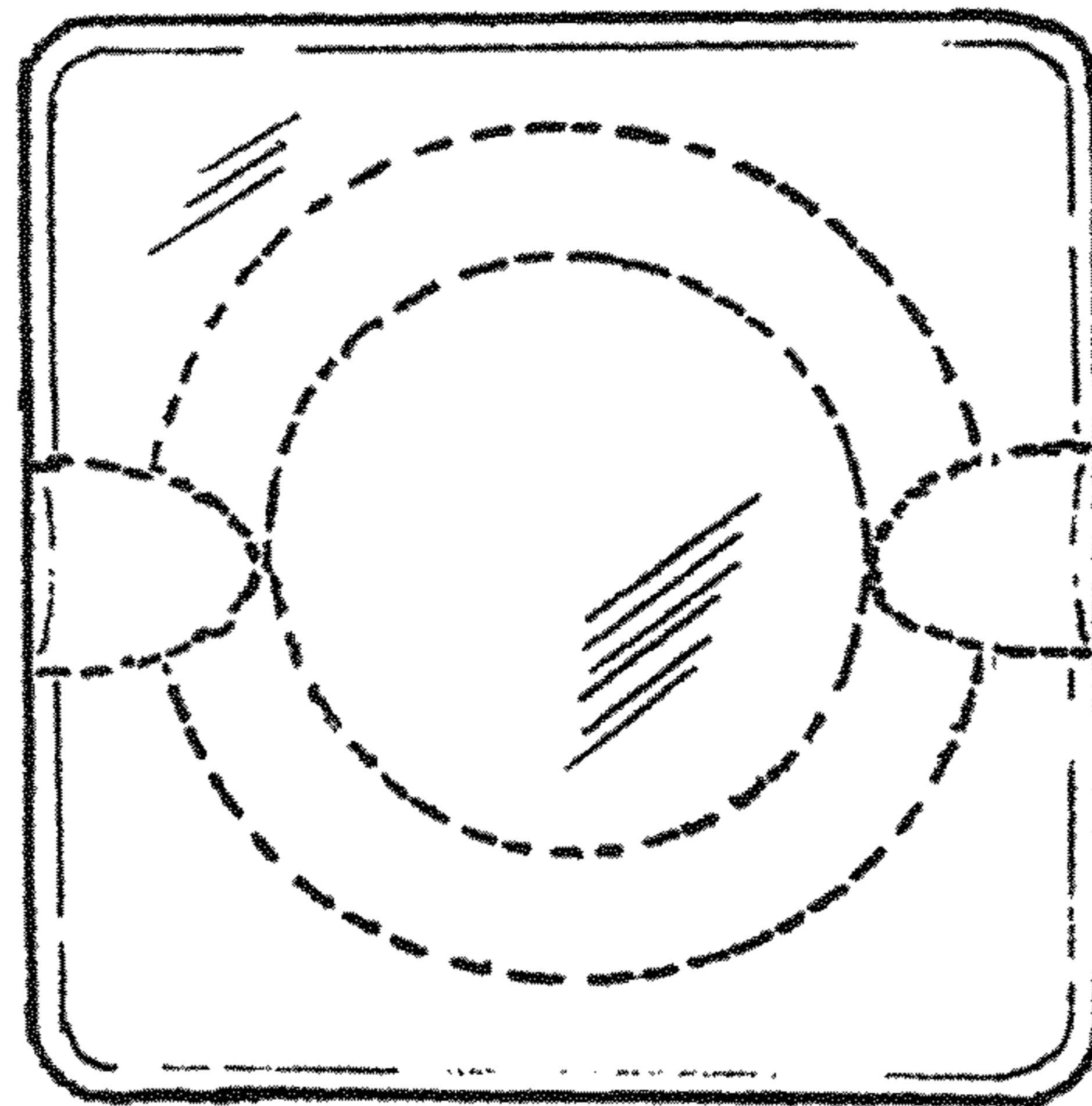


FIG. 29

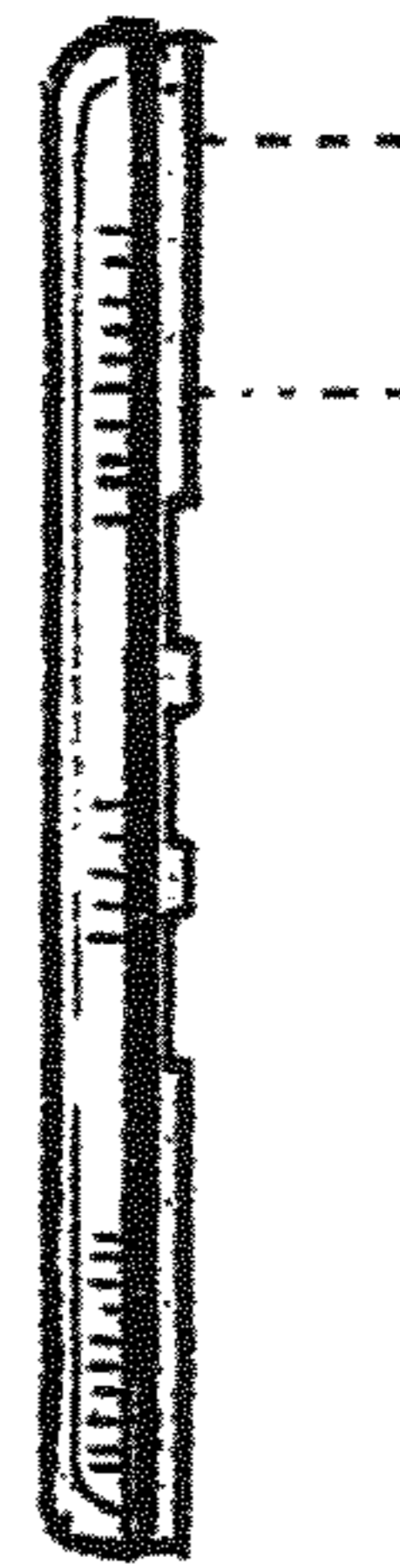


FIG. 33

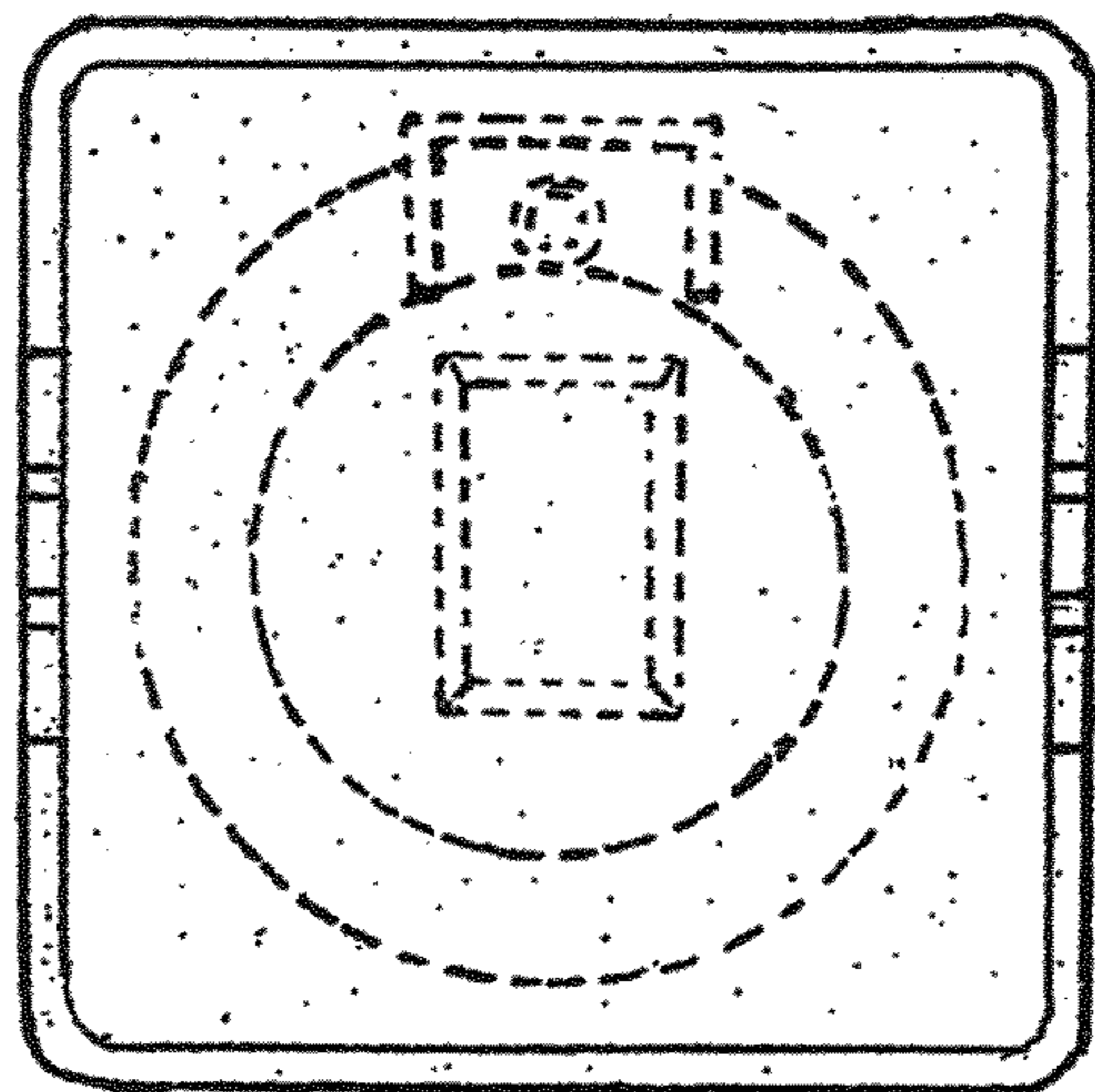


FIG. 30



FIG. 31



FIG. 34



FIG. 38

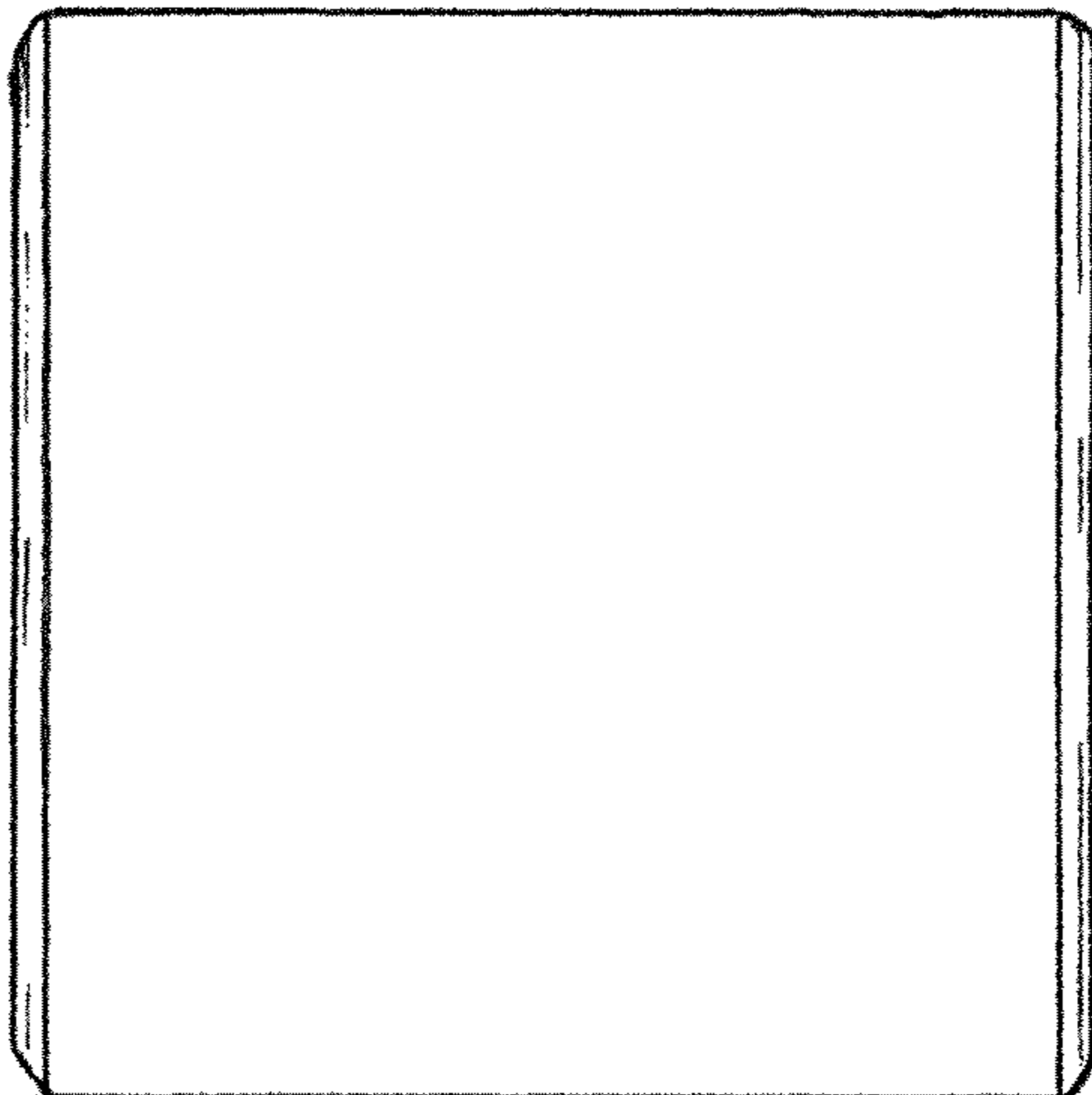


FIG. 35



FIG. 39

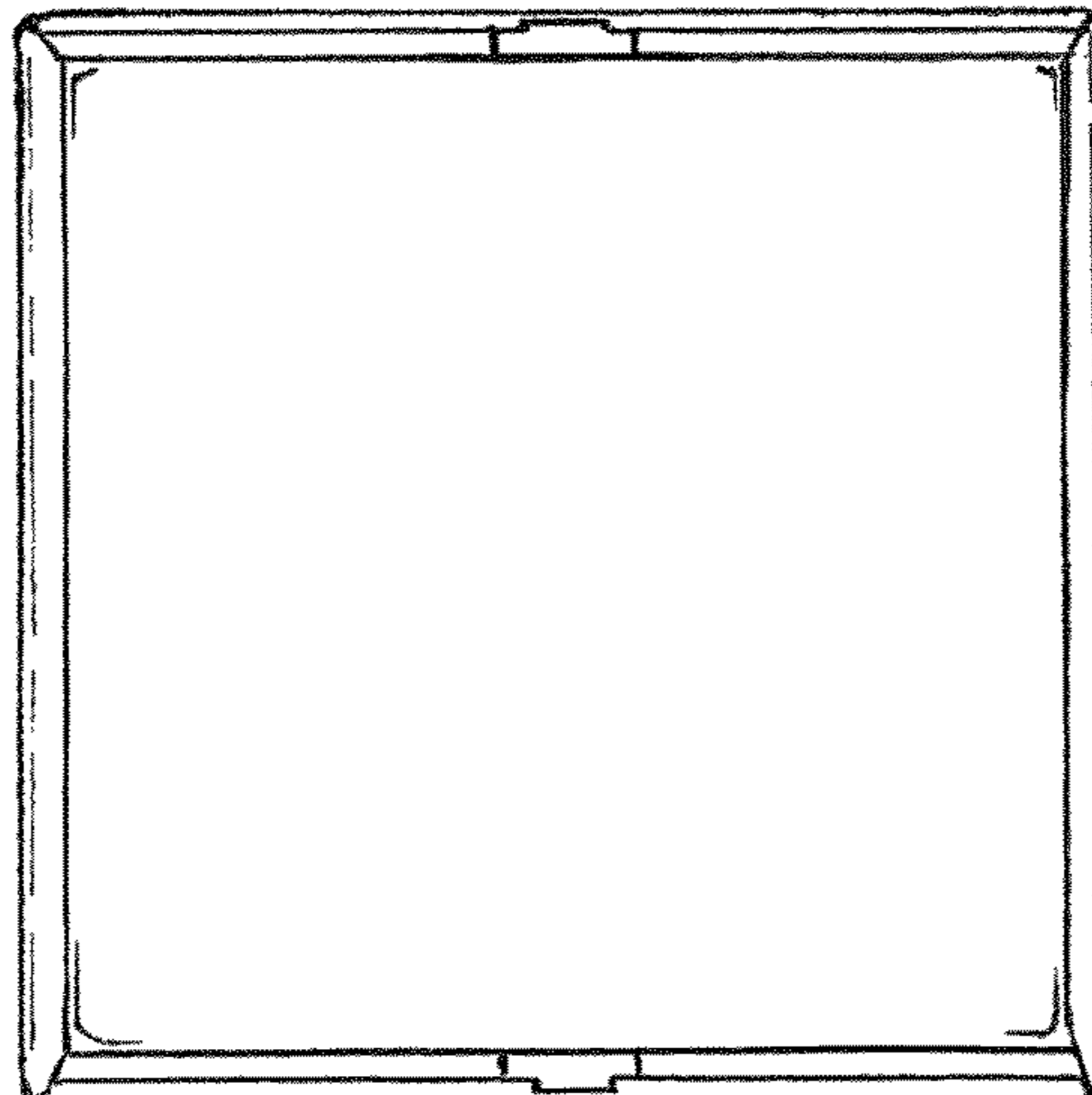


FIG. 36



FIG. 37

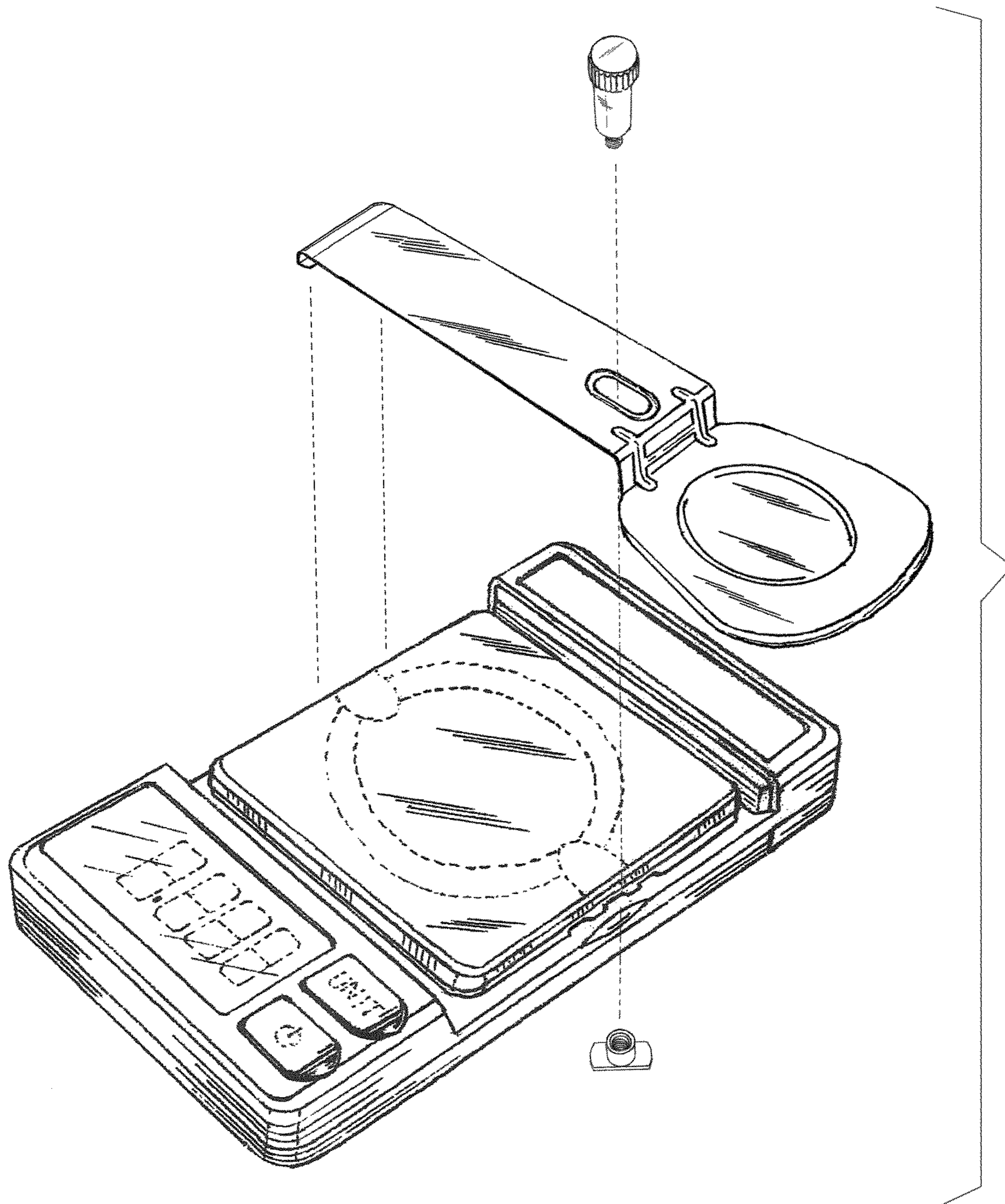


FIG. 40

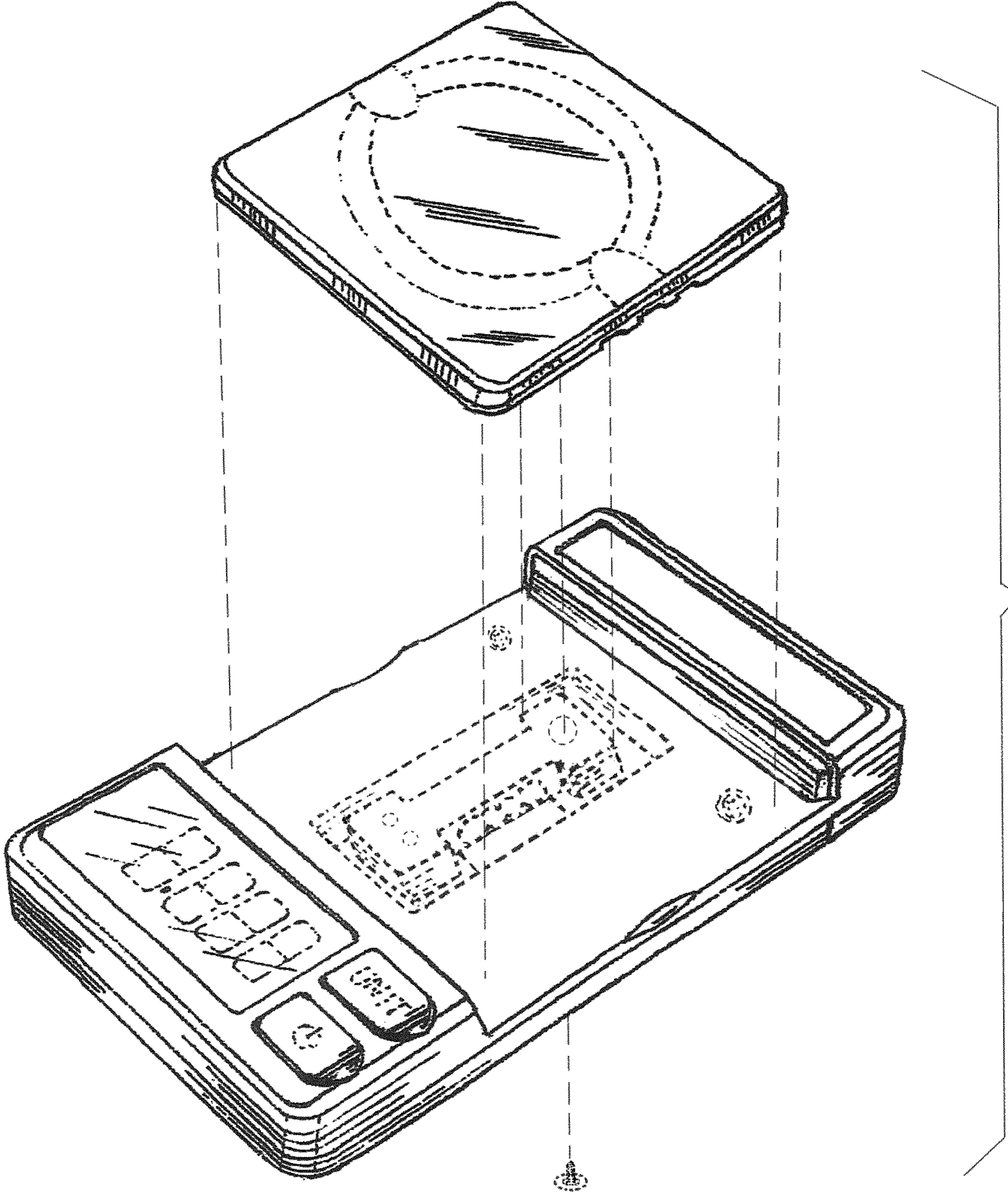


FIG. 41

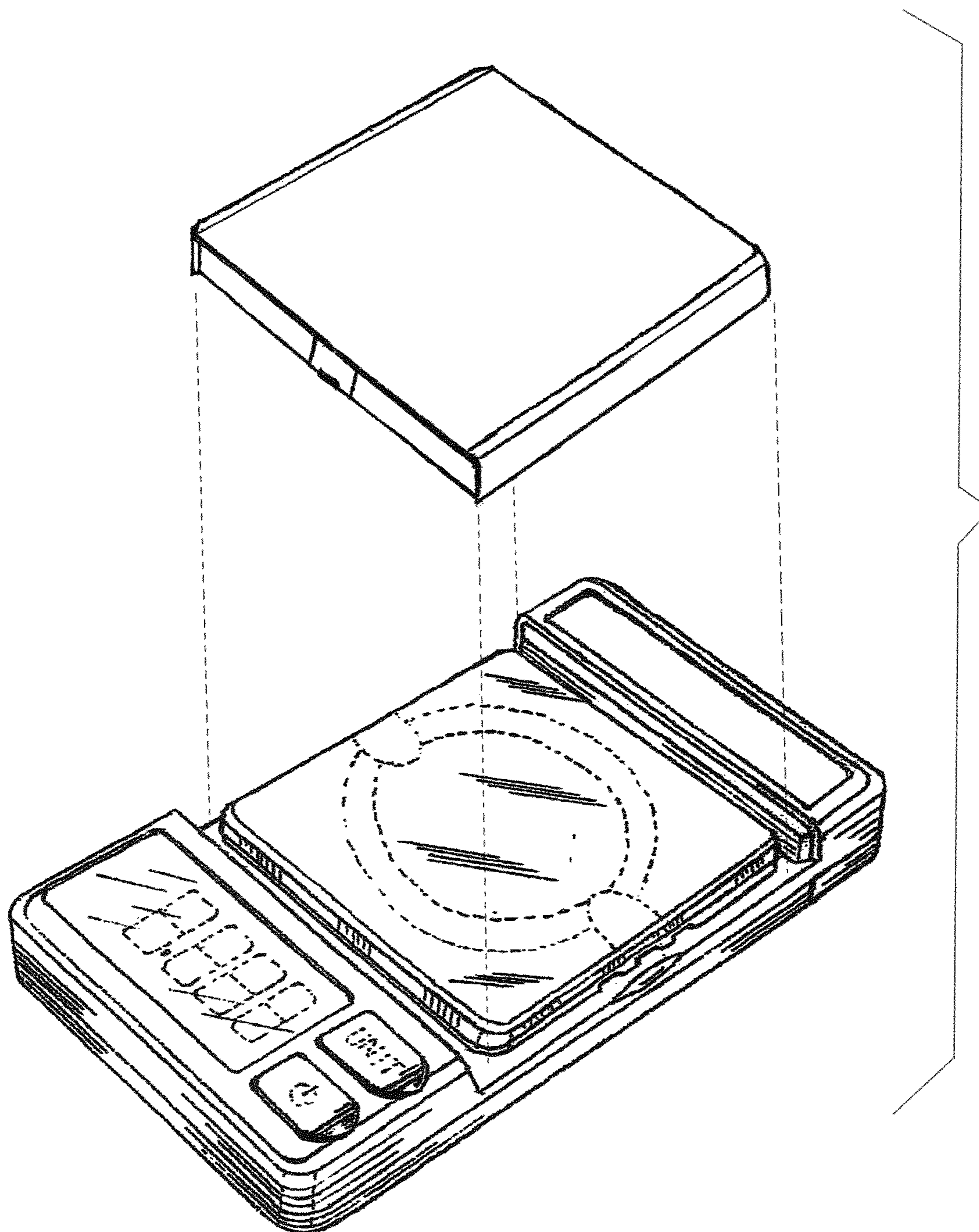


FIG. 42