



US00D878231S

(12) **United States Design Patent**  
**Ludwig**

(10) **Patent No.:** **US D878,231 S**

(45) **Date of Patent:** **\*\* Mar. 17, 2020**

- (54) **TIRE PRESSURE GAUGE**
- (71) Applicant: **Robert Bosch GmbH**, Stuttgart (DE)
- (72) Inventor: **Matthias Ludwig**, Moessingen (DE)
- (73) Assignee: **Robert Bosch GmbH**, Stuttgart (DE)
- (\*\*) Term: **15 Years**
- (21) Appl. No.: **29/645,317**
- (22) Filed: **Apr. 25, 2018**
- (51) **LOC (12) Cl.** ..... **10-04**
- (52) **U.S. Cl.**  
USPC ..... **D10/86**
- (58) **Field of Classification Search**  
USPC ..... D12/604, 606, 607, 608, 400;  
D10/83-86; D19/133  
CPC ..... G01L 17/00; G01L 17/005; G01M 17/02;  
B60C 23/0496  
See application file for complete search history.

- D631,768 S \* 2/2011 Petrucelli ..... D10/86
- D642,946 S \* 8/2011 Chen ..... D10/86
- D644,545 S \* 9/2011 Chen ..... D10/86
- D669,376 S \* 10/2012 Chen ..... D10/86
- D669,377 S \* 10/2012 Chen ..... D10/86
- D686,517 S \* 7/2013 Chen ..... D10/86

(Continued)

*Primary Examiner* — Michelle E. Wilson

*Assistant Examiner* — Clese Moore, Jr.

(74) *Attorney, Agent, or Firm* — Maginot, Moore & Beck LLP

(57) **CLAIM**

The ornamental design for a tire pressure gauge, as shown and described.

**DESCRIPTION**

Cross reference is made to copending U.S. design patent application Ser. No. 29/645,314 entitled “Tire Pressure Gauge” by Ludwig, Matthias, which was filed on even date herewith.

FIG. 1 is a perspective view of a first embodiment of a tire pressure gauge showing my new design;

FIG. 2 is a left side elevational view of the tire pressure gauge of FIG. 1;

FIG. 3 is a right side elevational view of the tire pressure gauge of FIG. 1;

FIG. 4 is a rear elevational view of the tire pressure gauge of FIG. 1;

FIG. 5 is a front elevational view of the tire pressure gauge of FIG. 1;

FIG. 6 is a top plan view of the tire pressure gauge of FIG. 1; and,

FIG. 7 is a bottom plan view of the tire pressure gauge of FIG. 1.

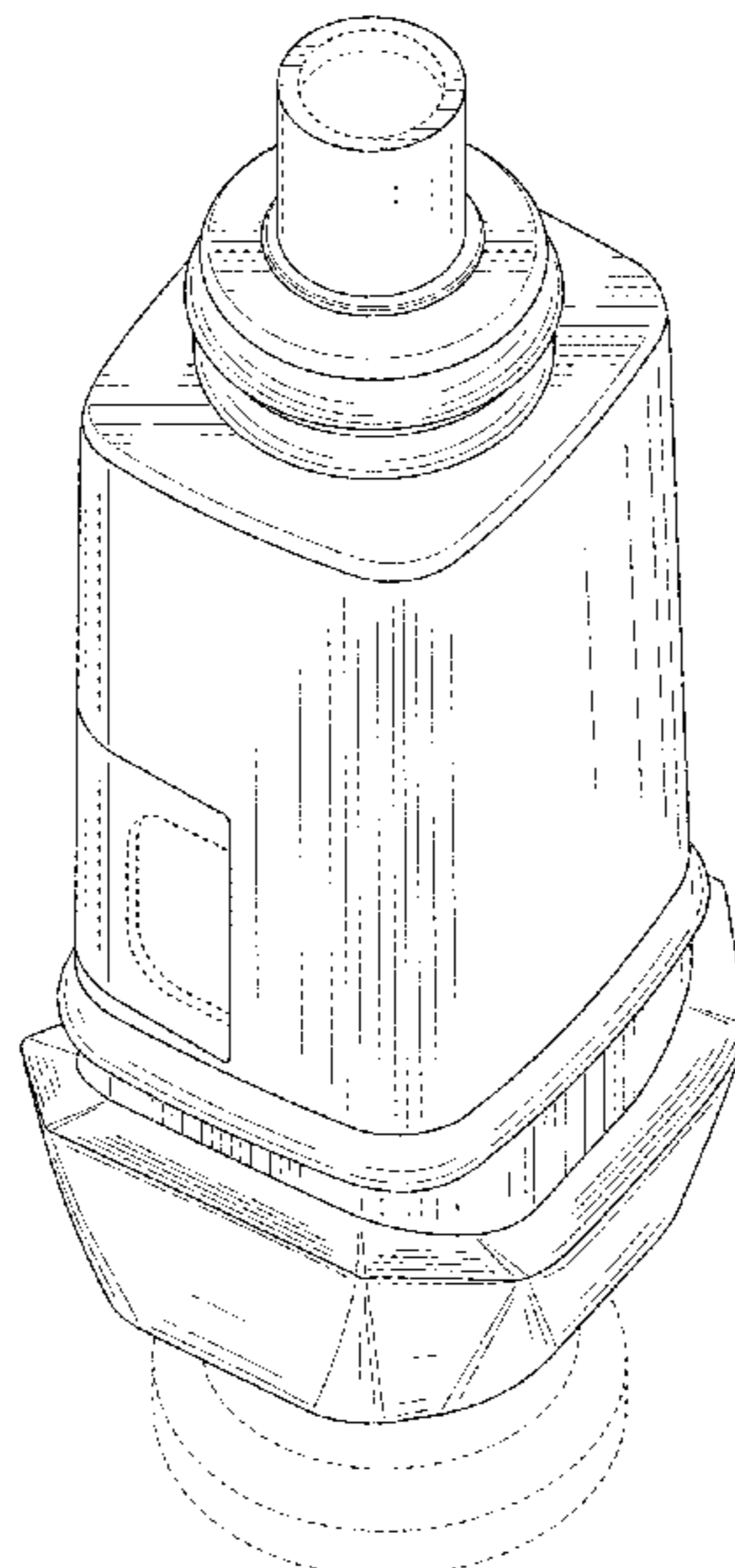
The broken lines shown in the drawings illustrate portions of the tire pressure gauge that form no part of the claimed design.

**1 Claim, 7 Drawing Sheets**

(56) **References Cited**

U.S. PATENT DOCUMENTS

- D331,371 S \* 12/1992 Weng ..... D10/86
- D338,839 S \* 8/1993 Akins ..... D10/86
- D390,140 S \* 2/1998 Germanton ..... D10/86
- D427,092 S \* 6/2000 Wu ..... D10/86
- D447,970 S \* 9/2001 Cappiello ..... D10/86
- D452,212 S \* 12/2001 Davidoski ..... D12/604
- D474,124 S \* 5/2003 Krieger ..... D10/86
- D488,082 S \* 4/2004 Durr ..... D10/86
- D491,480 S \* 6/2004 Huang ..... D10/86
- D522,894 S \* 6/2006 Stowers ..... D10/86
- D525,157 S \* 7/2006 Wrubel ..... D10/86
- D526,229 S \* 8/2006 Stowers ..... D10/86
- D526,589 S \* 8/2006 Stowers ..... D10/86
- D528,934 S \* 9/2006 Stowers ..... D10/86
- D596,970 S \* 7/2009 Petrucelli ..... D10/86
- D599,689 S \* 9/2009 Chen ..... D10/86
- D603,733 S \* 11/2009 Stowers ..... D10/86



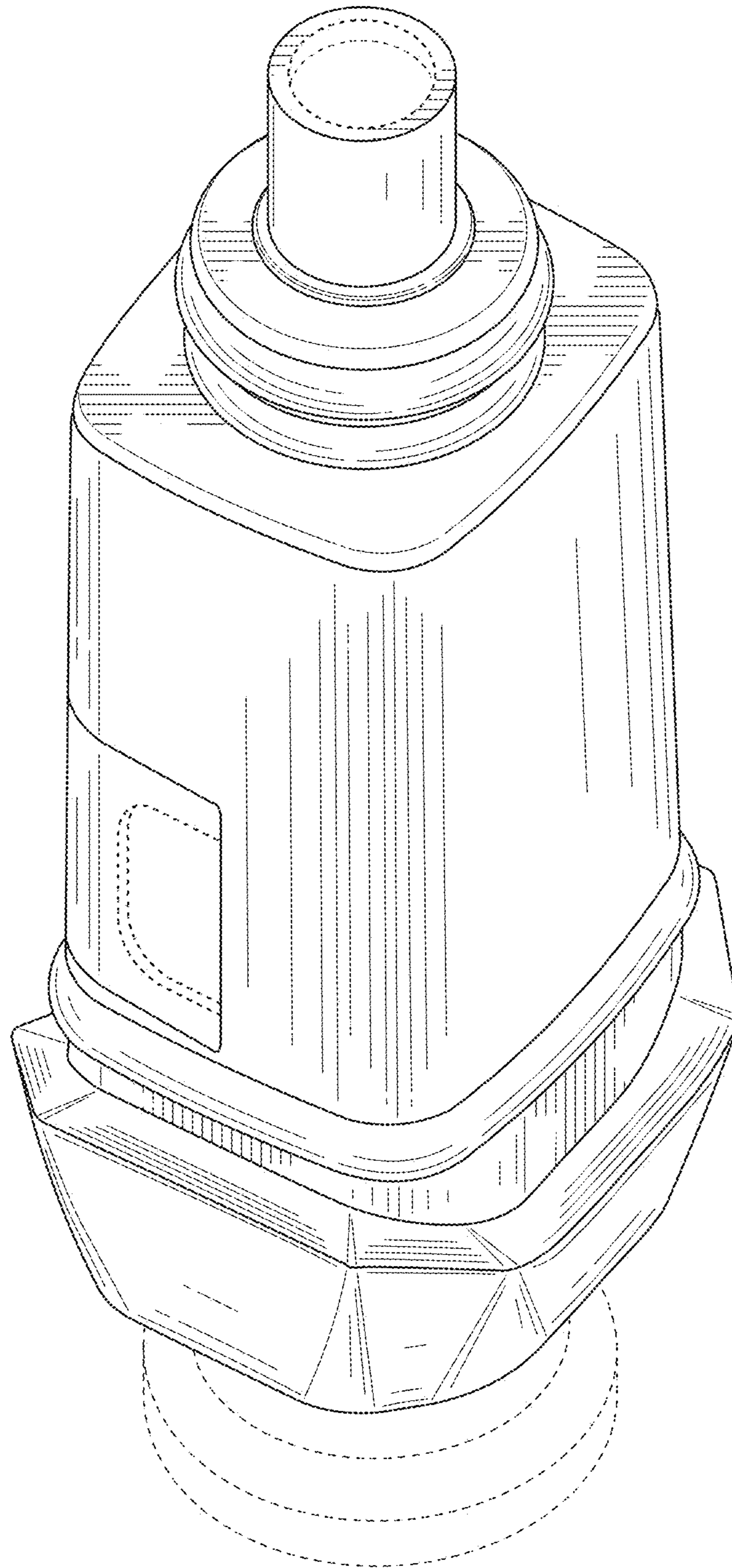
(56)

**References Cited**

U.S. PATENT DOCUMENTS

D703,076 S *	4/2014	Hogg	.....	D10/85
2014/0259438 A1 *	9/2014	Rubin	.....	B25F 1/006
				7/163

\* cited by examiner



**FIG. 1**

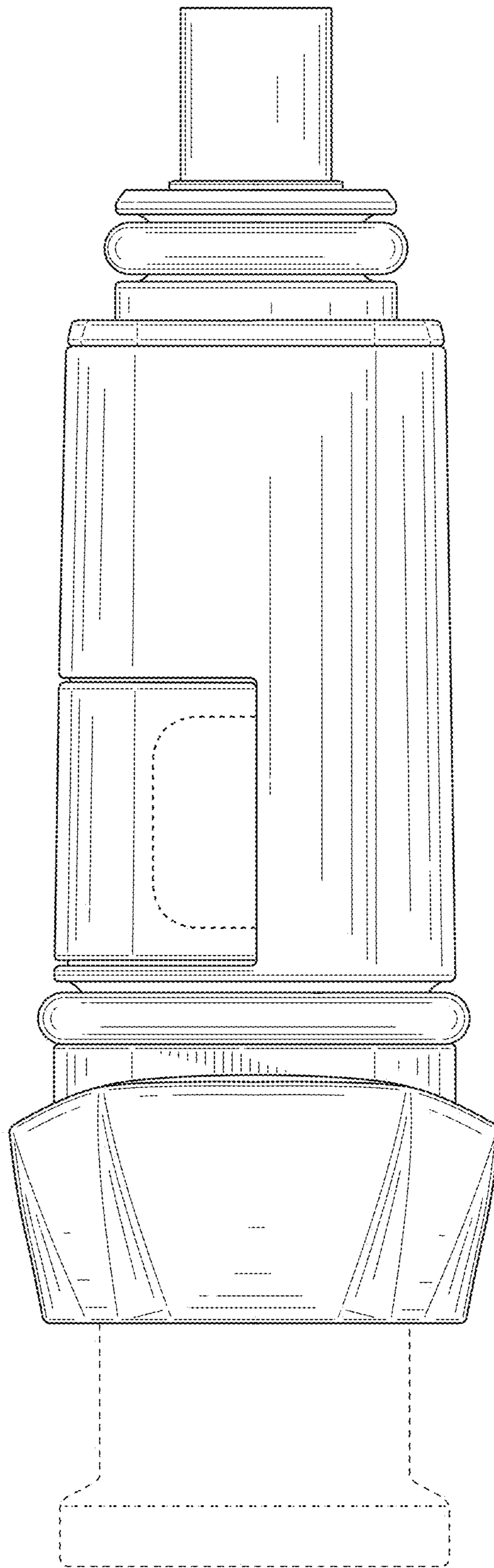


FIG. 2

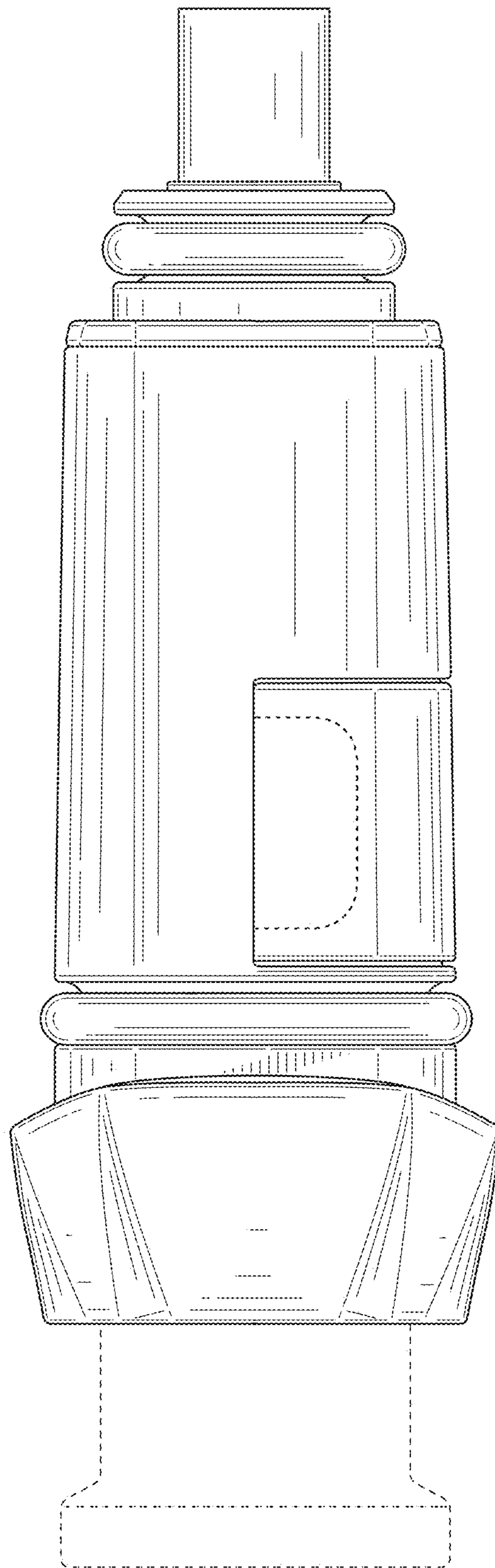


FIG. 3

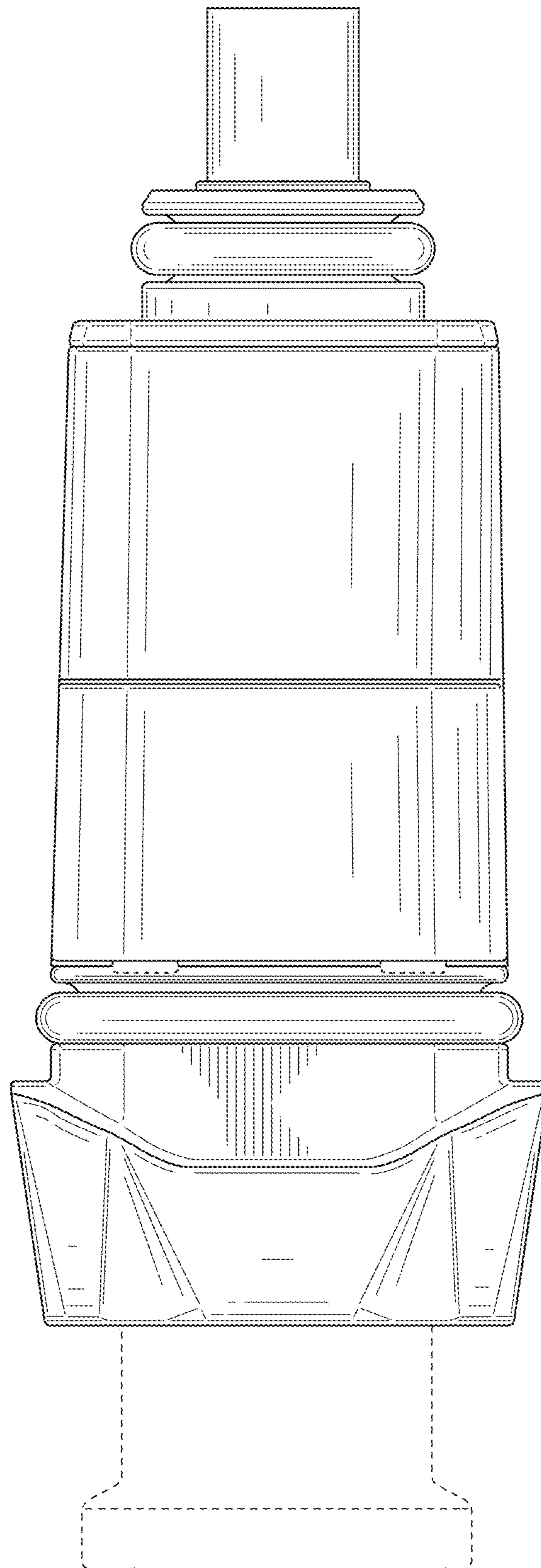


FIG. 4

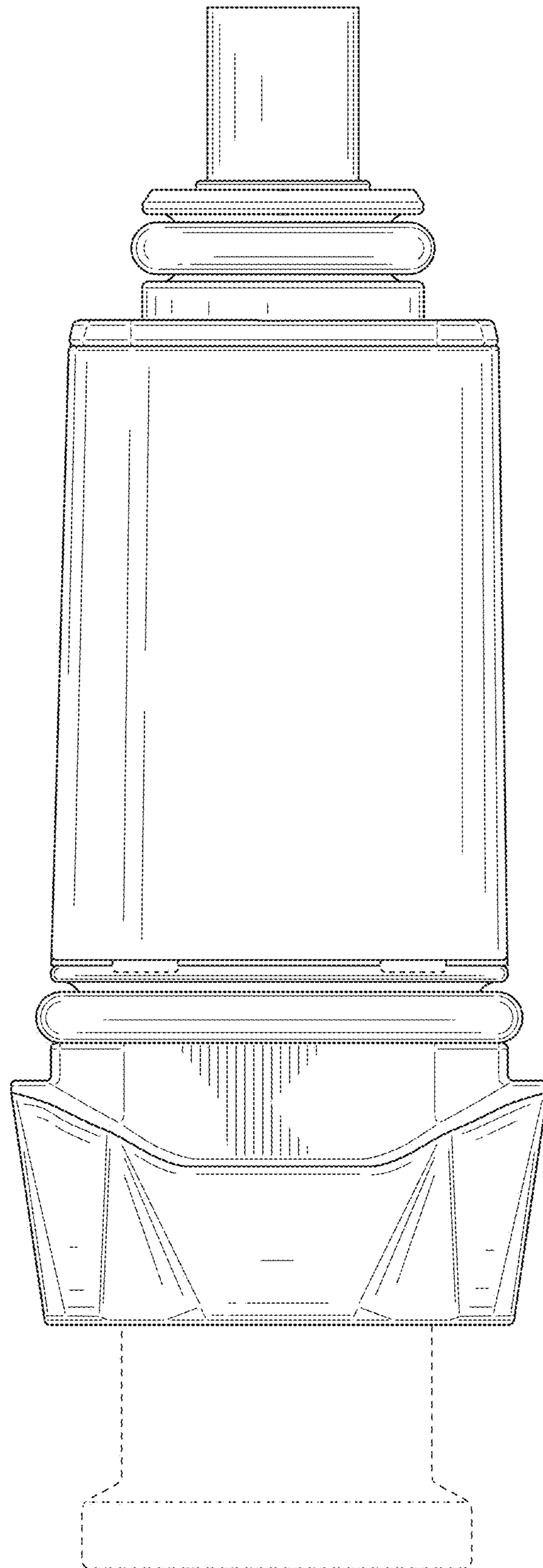
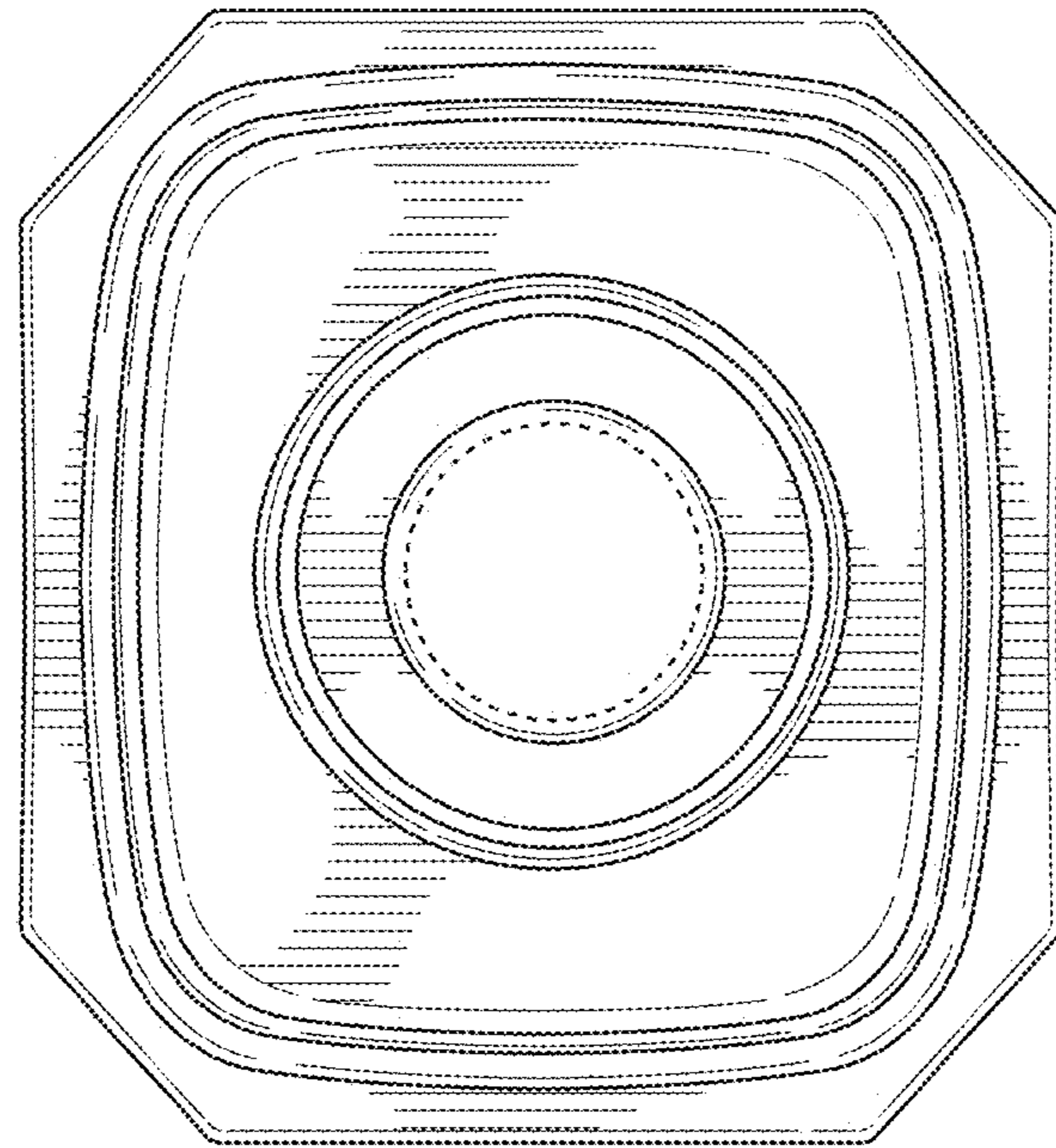
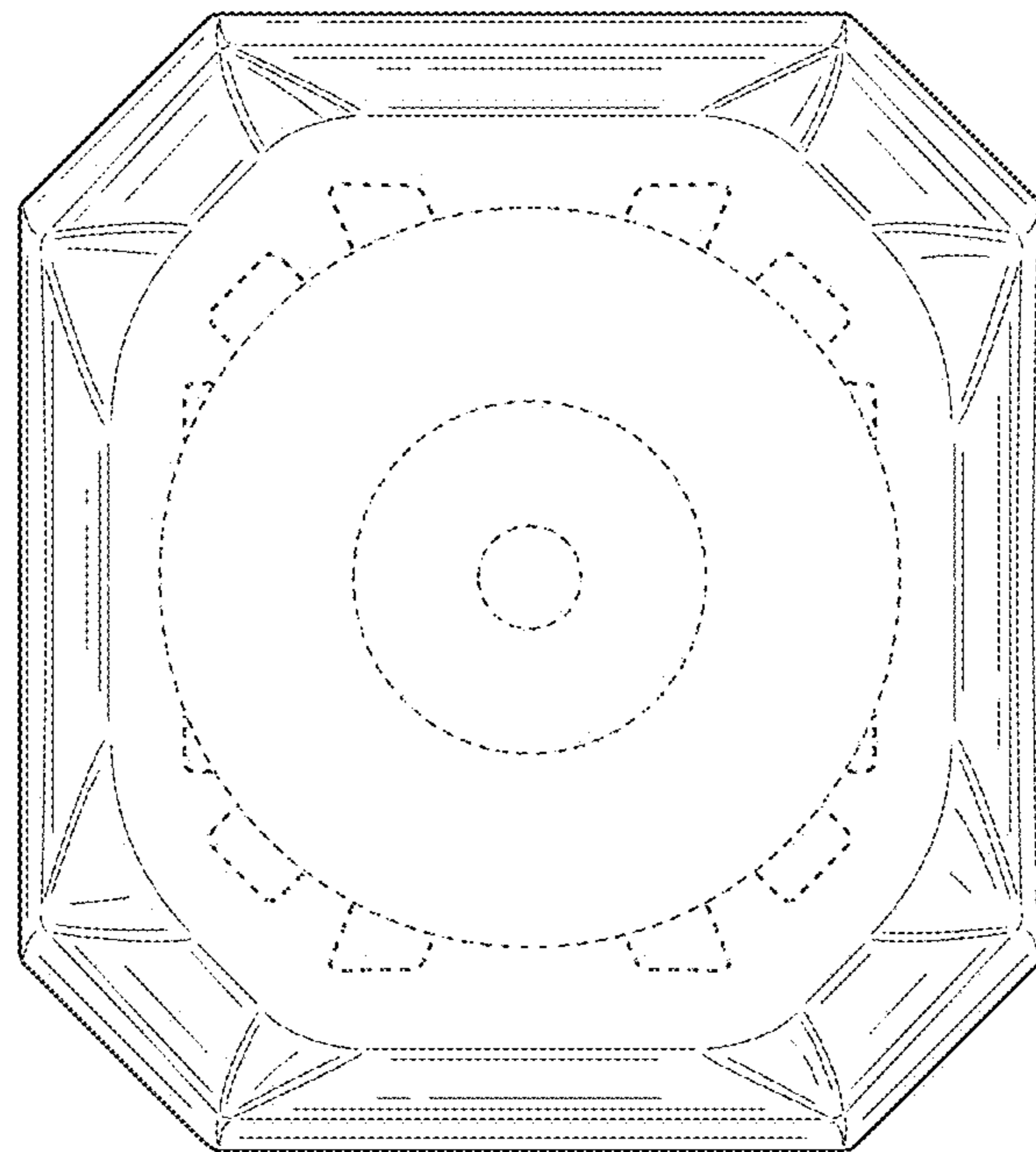


FIG. 5



**FIG. 6**





**FIG. 7**

UNITED STATES PATENT AND TRADEMARK OFFICE  
**CERTIFICATE OF CORRECTION**

PATENT NO. : D878,231 S  
APPLICATION NO. : 29/645317  
DATED : March 17, 2020  
INVENTOR(S) : Matthias Ludwig

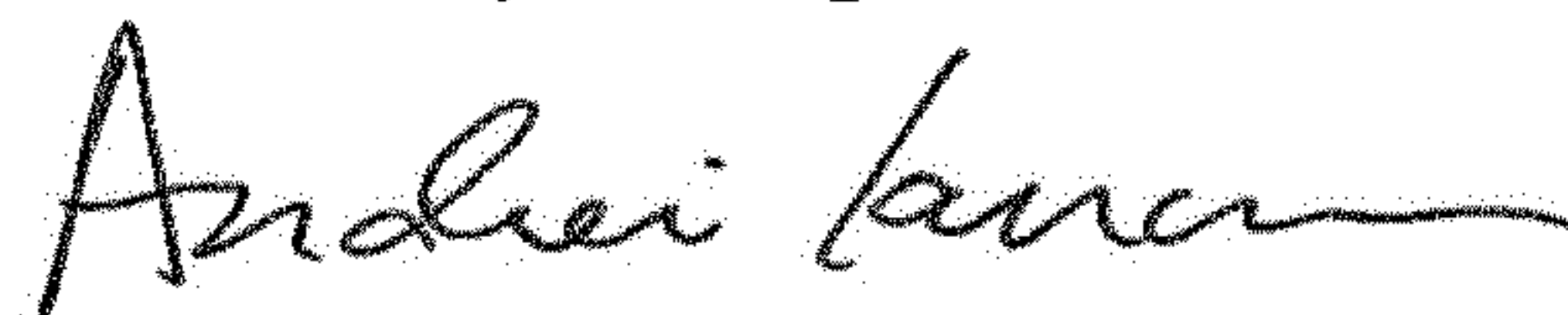
Page 1 of 1

It is certified that error appears in the above-identified patent and that said Letters Patent is hereby corrected as shown below:

On the Title Page

Between (22) and (51), insert:  
--(30) Foreign Application Priority Data  
Nov. 13, 2017 (EM).....004504082--

Signed and Sealed this  
First Day of September, 2020



Andrei Iancu  
*Director of the United States Patent and Trademark Office*