



US00D878230S

(12) **United States Design Patent**
Ludwig

(10) **Patent No.:** **US D878,230 S**
(45) **Date of Patent:** **** Mar. 17, 2020**

- (54) **TIRE PRESSURE GAUGE**
- (71) Applicant: **Robert Bosch GmbH**, Stuttgart (DE)
- (72) Inventor: **Matthias Ludwig**, Moessingen (DE)
- (73) Assignee: **Robert Bosch GmbH**, Stuttgart (DE)
- (**) Term: **15 Years**
- (21) Appl. No.: **29/645,314**
- (22) Filed: **Apr. 25, 2018**
- (51) **LOC (12) Cl.** **10-04**
- (52) **U.S. Cl.**
USPC **D10/86**
- (58) **Field of Classification Search**
USPC D12/604, 606, 607, 608, 400;
D10/83-86; D19/133
CPC G01L 17/00; G01L 17/005; G01M 17/02;
B60C 23/0496
See application file for complete search history.

- D631,768 S * 2/2011 Petrucelli D10/86
- D642,946 S * 8/2011 Chen D10/86
- D644,545 S * 9/2011 Chen D10/86
- D669,376 S * 10/2012 Chen D10/86
- D669,377 S * 10/2012 Chen D10/86
- D686,517 S * 7/2013 Chen D10/86

(Continued)

Primary Examiner — Michelle E. Wilson
Assistant Examiner — Clese Moore, Jr.
 (74) *Attorney, Agent, or Firm* — Maginot, Moore & Beck LLP

(57) **CLAIM**

The ornamental design for a tire pressure gauge, as shown and described.

DESCRIPTION

Cross reference is made to copending U.S. design patent application Ser. No. 29/645,317 entitled “Tire Pressure Gauge” by Ludwig, Matthias, which was filed on even date herewith.

FIG. 1 is a perspective view of a first embodiment of a tire pressure gauge showing my new design;

FIG. 2 is a right side elevational view of the tire pressure gauge of FIG. 1;

FIG. 3 is a left side elevational view of the tire pressure gauge of FIG. 1;

FIG. 4 is a front elevational view of the tire pressure gauge of FIG. 1;

FIG. 5 is a rear elevational view of the tire pressure gauge of FIG. 1;

FIG. 6 is a top plan view of the tire pressure gauge of FIG. 1; and,

FIG. 7 is a bottom plan view of the tire pressure gauge of FIG. 1.

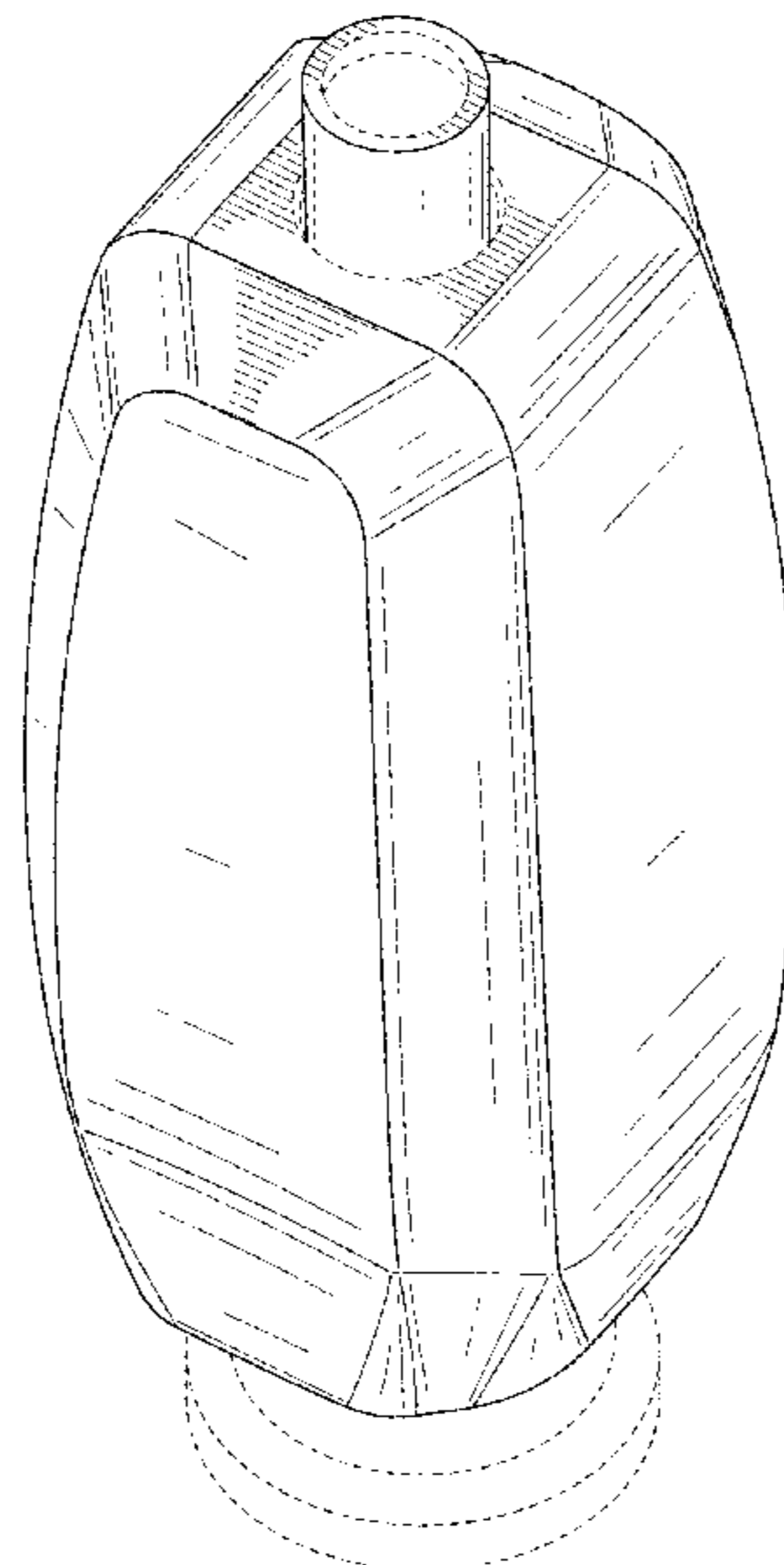
The broken lines shown in the drawings illustrate portions of the tire pressure gauge that form no part of the claimed design.

(56) **References Cited**

U.S. PATENT DOCUMENTS

- D331,371 S * 12/1992 Weng D10/86
- D338,839 S * 8/1993 Akins D10/86
- D390,140 S * 2/1998 Germanton D10/86
- D427,092 S * 6/2000 Wu D10/86
- D447,970 S * 9/2001 Cappiello D10/86
- D452,212 S * 12/2001 Davidoski D12/604
- D474,124 S * 5/2003 Krieger D10/86
- D488,082 S * 4/2004 Durr D10/86
- D491,480 S * 6/2004 Huang D10/86
- D522,894 S * 6/2006 Stowers D10/86
- D525,157 S * 7/2006 Wrubel D10/86
- D526,229 S * 8/2006 Stowers D10/86
- D526,589 S * 8/2006 Stowers D10/86
- D528,934 S * 9/2006 Stowers D10/86
- D596,970 S * 7/2009 Petrucelli D10/86
- D599,689 S * 9/2009 Chen D10/86
- D603,733 S * 11/2009 Stowers D10/86

1 Claim, 6 Drawing Sheets



(56)

References Cited

U.S. PATENT DOCUMENTS

D703,076 S * 4/2014 Hogg D10/85
2014/0259438 A1 * 9/2014 Rubin B25F 1/006
7/163

* cited by examiner

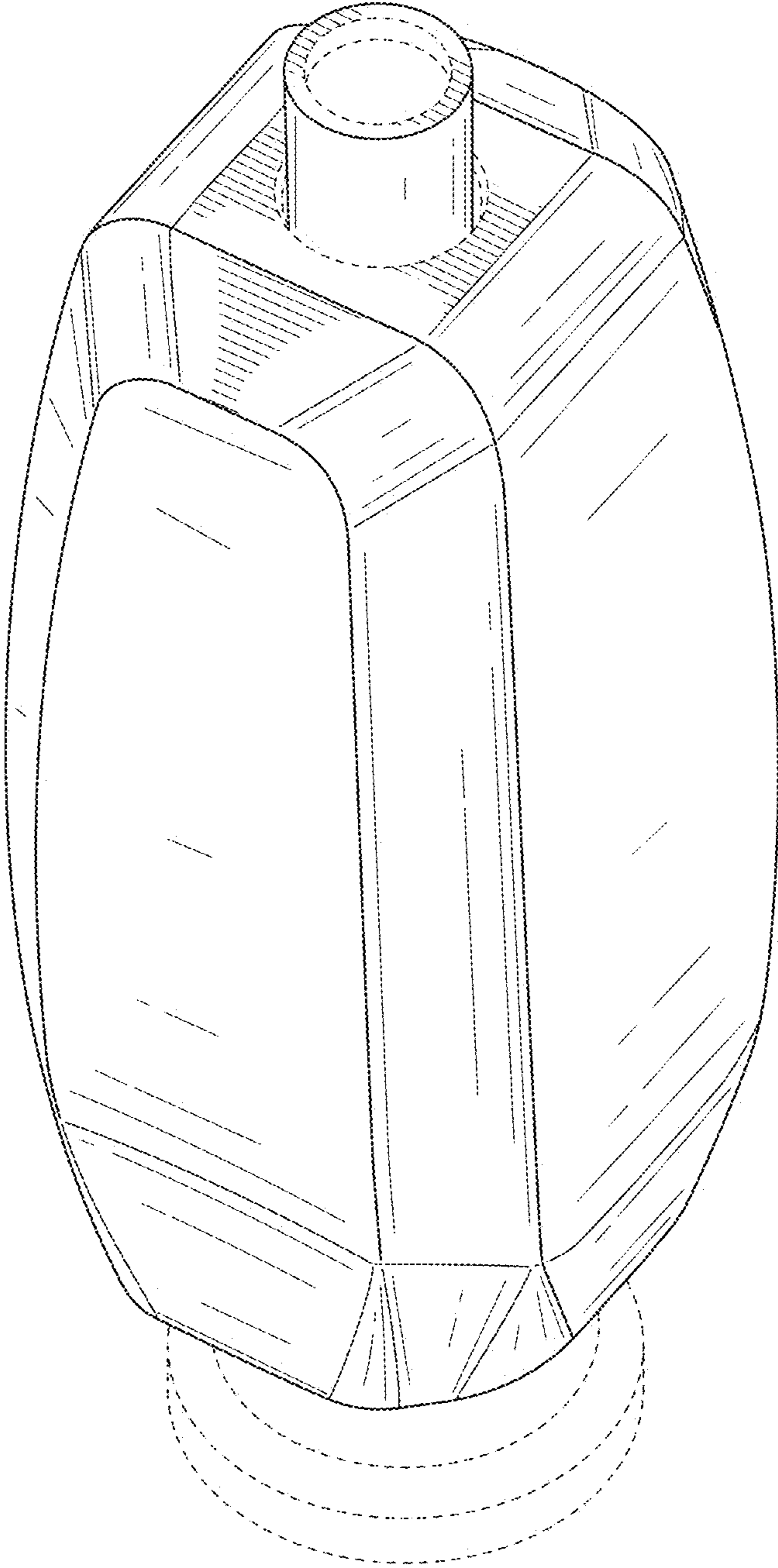


FIG. 1

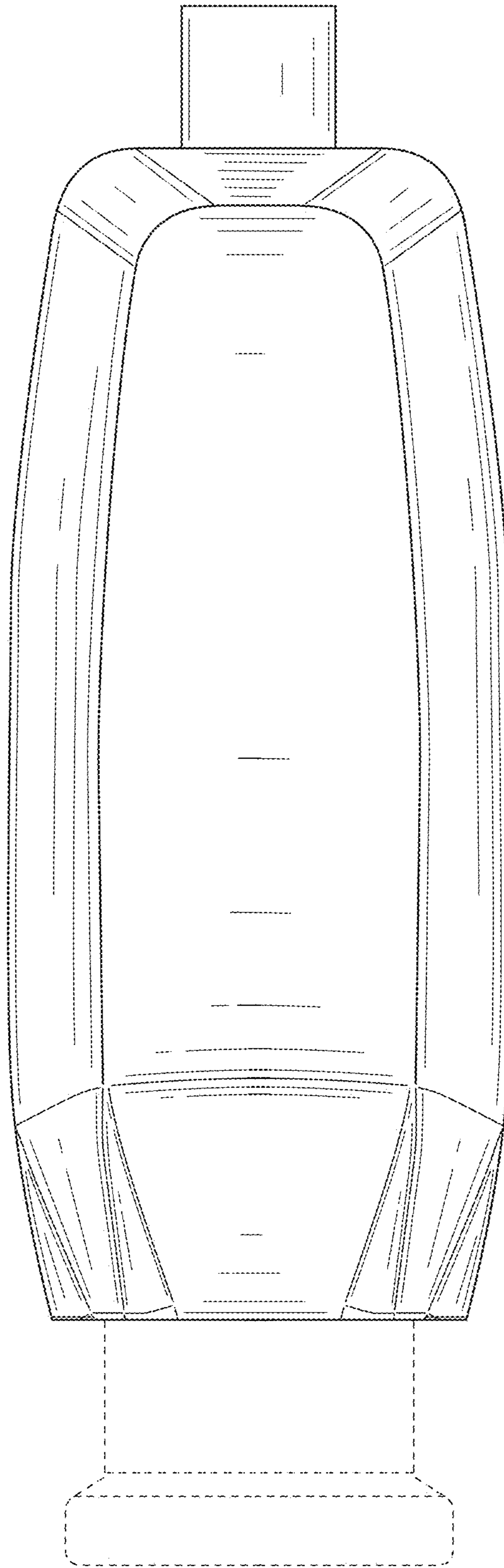


FIG. 2

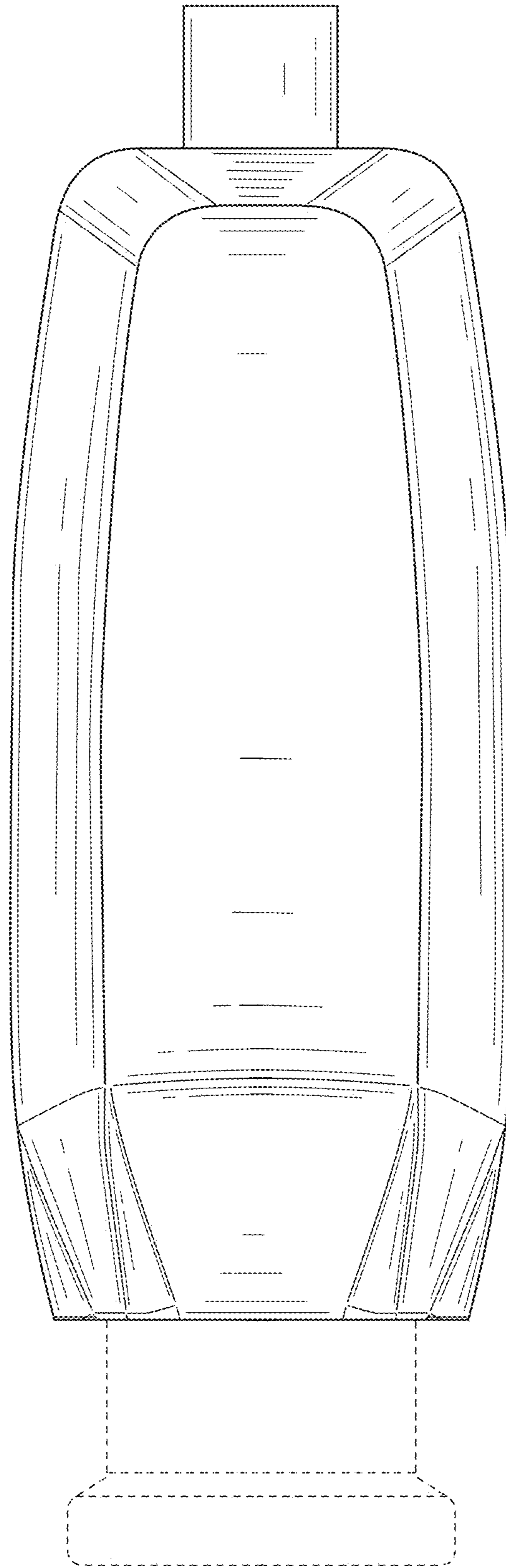


FIG. 3

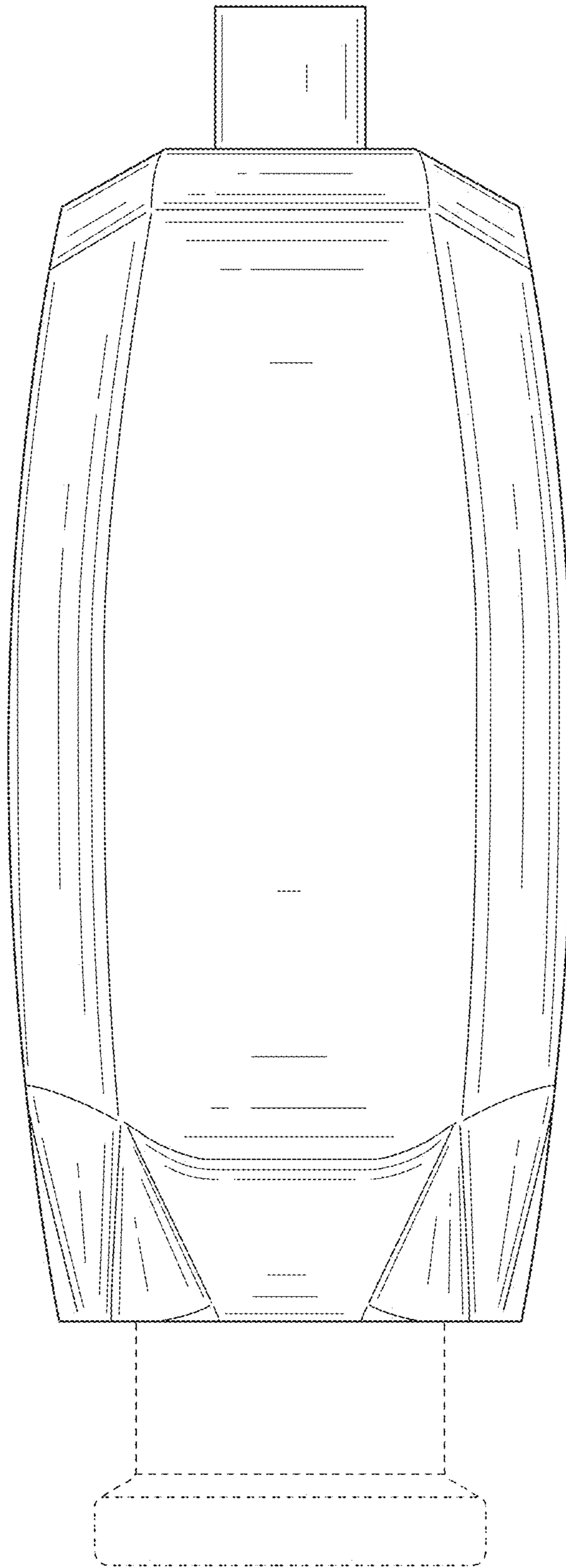


FIG. 4

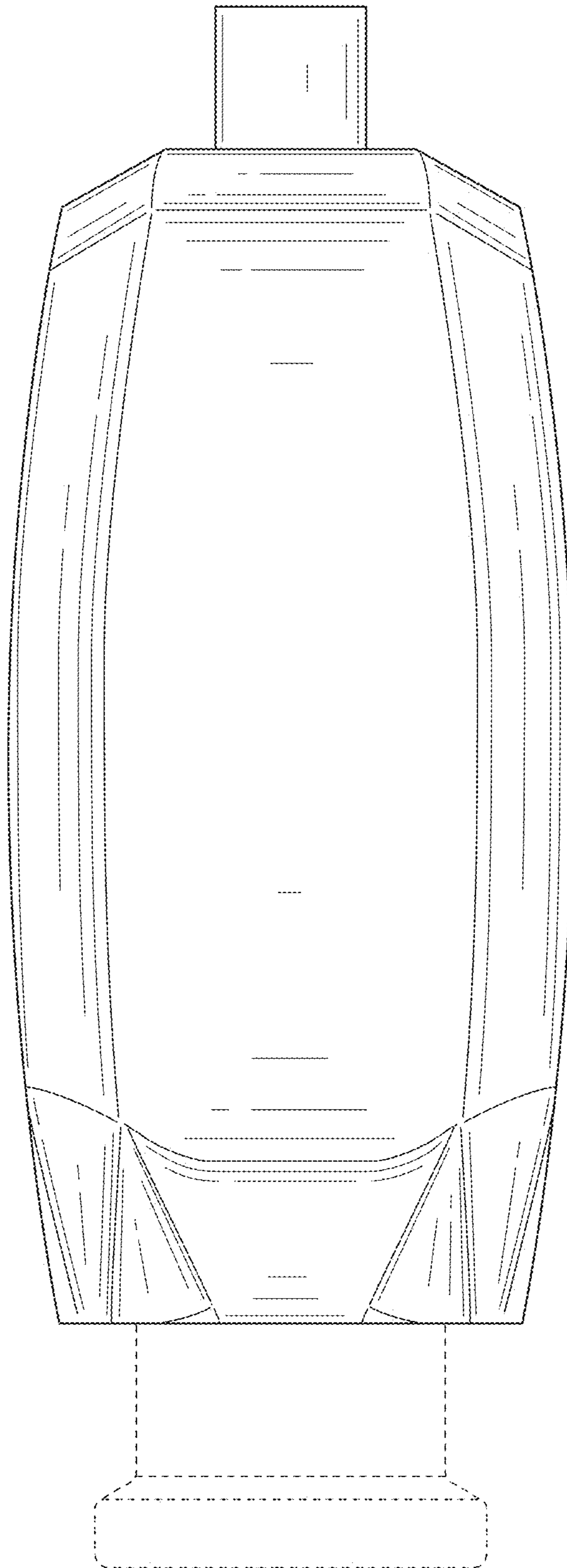


FIG. 5

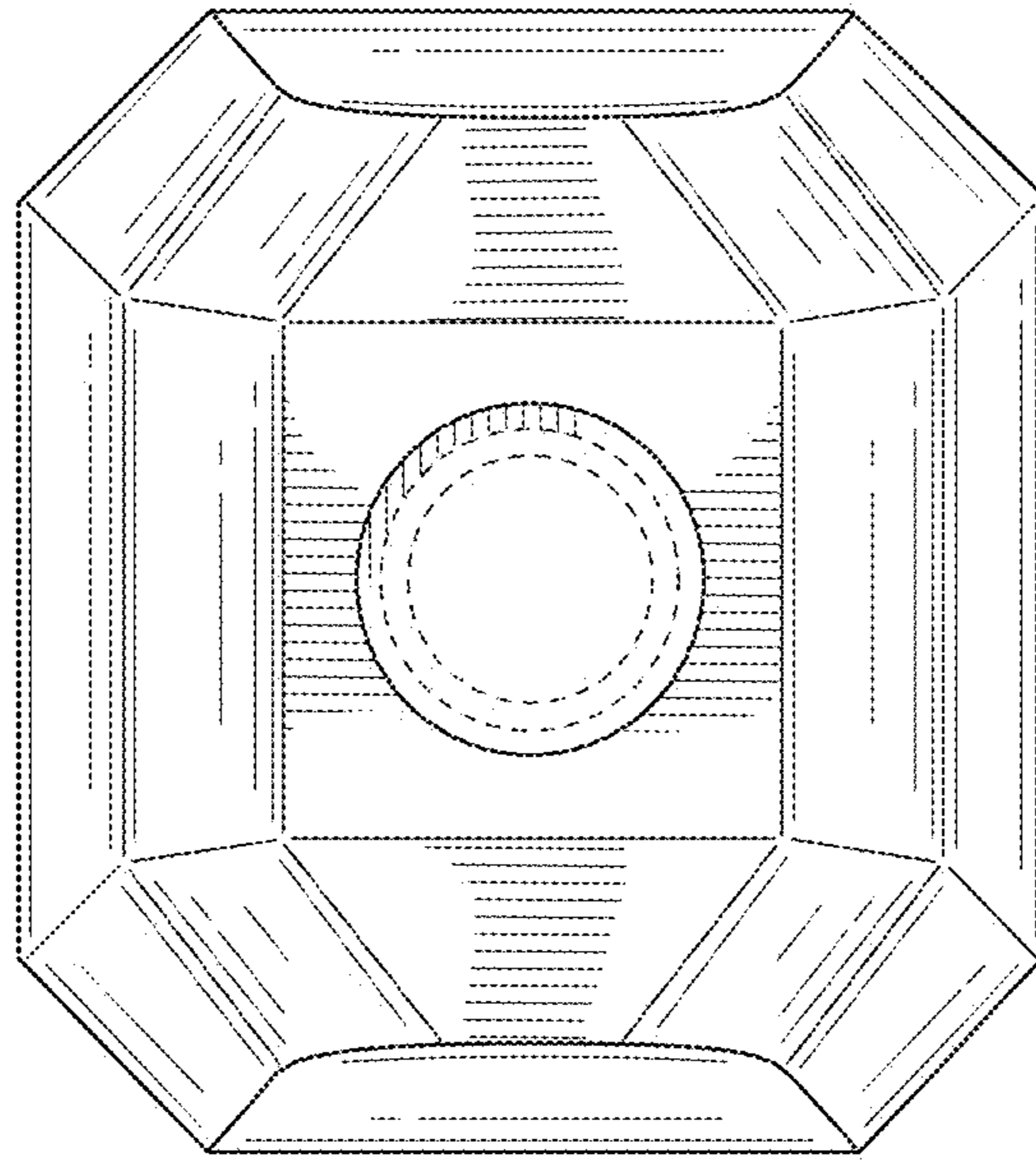


FIG. 6

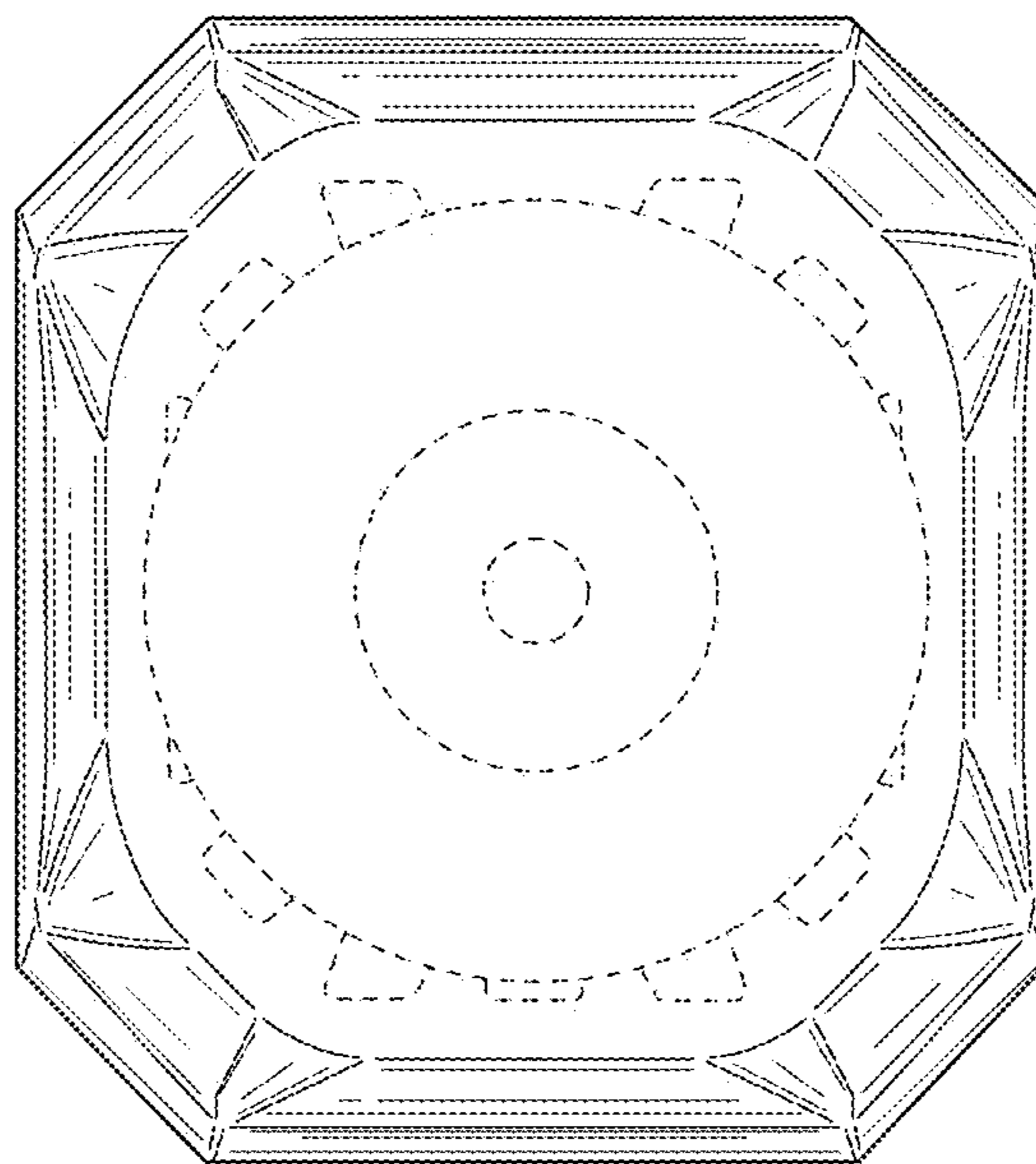


FIG. 7

UNITED STATES PATENT AND TRADEMARK OFFICE
CERTIFICATE OF CORRECTION

PATENT NO. : D878,230 S
APPLICATION NO. : 29/645314
DATED : March 17, 2020
INVENTOR(S) : Matthias Ludwig

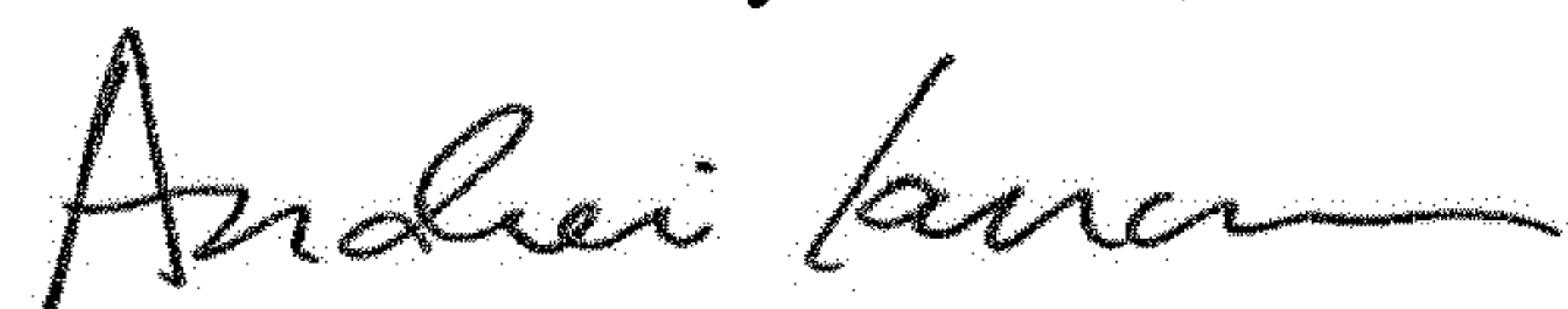
Page 1 of 1

It is certified that error appears in the above-identified patent and that said Letters Patent is hereby corrected as shown below:

On the Title Page

Between (22) and (51), insert:
--(30) Foreign Application Priority Data
Nov. 13, 2017 (EM).....004504082--

Signed and Sealed this
Sixteenth Day of June, 2020



Andrei Iancu
Director of the United States Patent and Trademark Office