



US00D878229S

(12) **United States Design Patent**
Tam

(10) **Patent No.:** **US D878,229 S**

(45) **Date of Patent:** **** Mar. 17, 2020**

(54) **TESTER**

Primary Examiner — Antoine Duval Davis

(71) Applicant: **Jubilee Diamond Instrument Limited,**
Hong Kong (HK)

(72) Inventor: **Kui Lim Tam,** Hong Kong (HK)

(73) Assignee: **Jubilee Diamond Instrument Limited,**
Hong Kong (HK)

(**) Term: **15 Years**

(21) Appl. No.: **29/672,631**

(22) Filed: **Dec. 7, 2018**

(51) **LOC (12) Cl.** **10-04**

(52) **U.S. Cl.**
USPC **D10/83**

(58) **Field of Classification Search**

USPC D10/83-85

CPC G01N 21/87; G01N 21/88; G01N 21/8803;
G01N 21/8806; G01N 2021/8854; G01N
2021/8858; G01N 33/381; G01N
2223/05; G01J 3/46; G01J 3/461; G01J
3/462; G01J 3/463; G01J 3/465; G01J
2003/466; G01J 2003/467; G01J
2003/468; G01J 3/50; G01J 3/501; G01J
3/502; G01J 2003/503; G01J 3/504; G01J
3/505; G01J 3/506; G01J 2003/507; G01J
3/508; G01J 3/51; G01J 3/513; G01J
2003/516; G01J 4/00; G01J 2004/001;
G01J 2004/002; G01J 2004/004; G01J
2004/005; G01J 2004/007; G01J
2005/0077

See application file for complete search history.

(56) **References Cited**

U.S. PATENT DOCUMENTS

6,292,315 B1 * 9/2001 Ravich G01N 21/87
29/10

* cited by examiner

(57) **CLAIM**

The ornamental design for a tester, as shown and described.

DESCRIPTION

FIG. 1 is a front elevational view of a tester showing my new design;

FIG. 2 is a rear elevational view thereof;

FIG. 3 is a left side view thereof;

FIG. 4 is a right side view thereof;

FIG. 5 is a top plan view thereof;

FIG. 6 is a bottom plan view thereof;

FIG. 7 is a bottom, rear and right side perspective view thereof;

FIG. 8 is a top, front and left side perspective view showing the tester in a substantially closed state;

FIG. 9 is a perspective view showing the tester in an open state;

FIG. 10 is an enlarged view of portion 10 in FIG. 9;

FIG. 11 is a perspective view of FIG. 9 showing the tester in a use state with a ring;

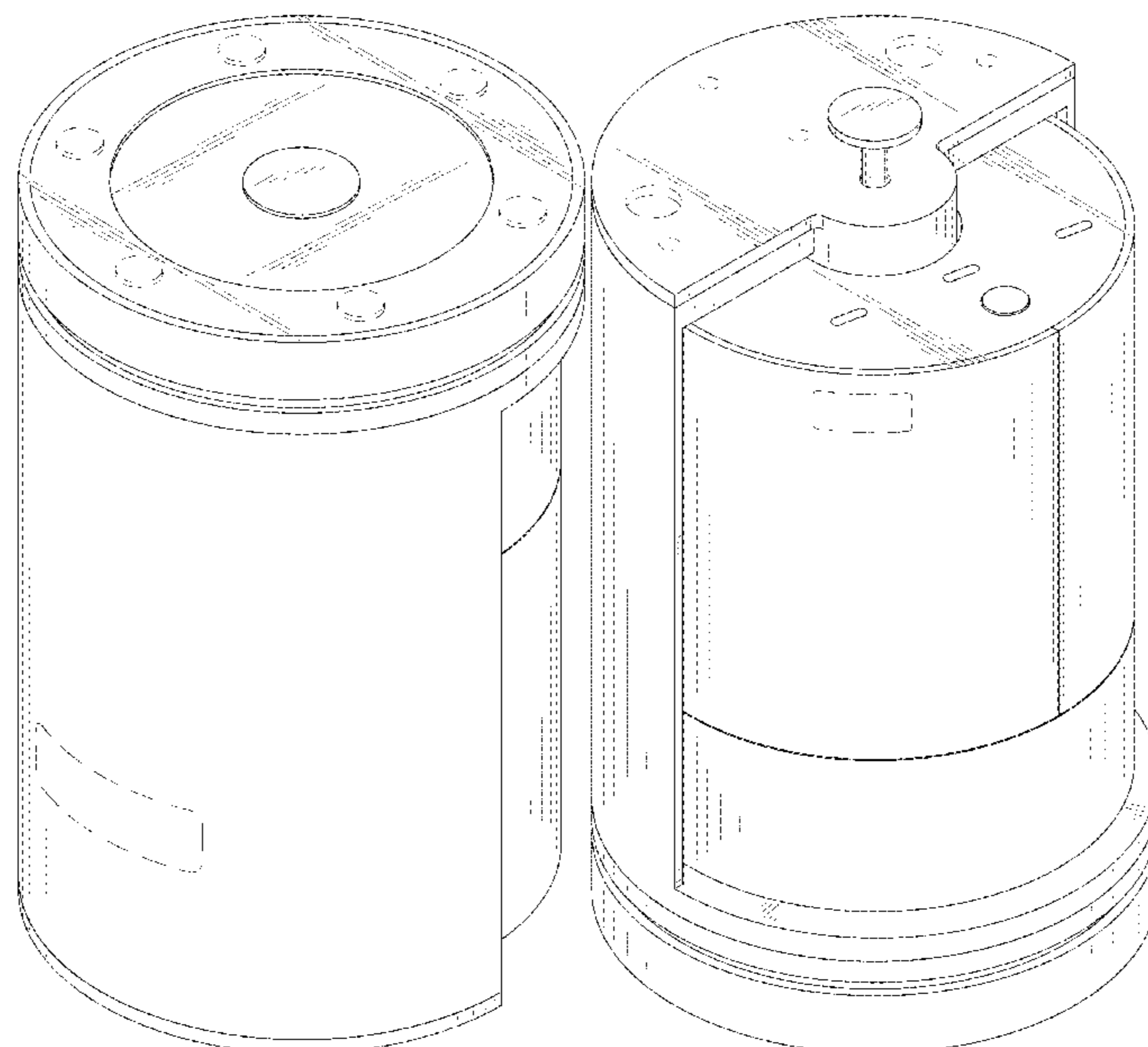
FIG. 12 is a perspective view showing the tester in an open state and the left and right brackets beside the test platform in an open state; and,

FIG. 13 is a perspective view of FIG. 12 showing the tester in a use state with a bracelet.

The present application relates to the ornamental design of a tester which is used to determine if a gemstone is Earth Mined (Natural) or HPHT treated or Lab Created (CVD) Diamond.

The broken lines in the drawings illustrate portions of the tester or environmental subject matters that form no part of the claimed design.

1 Claim, 13 Drawing Sheets



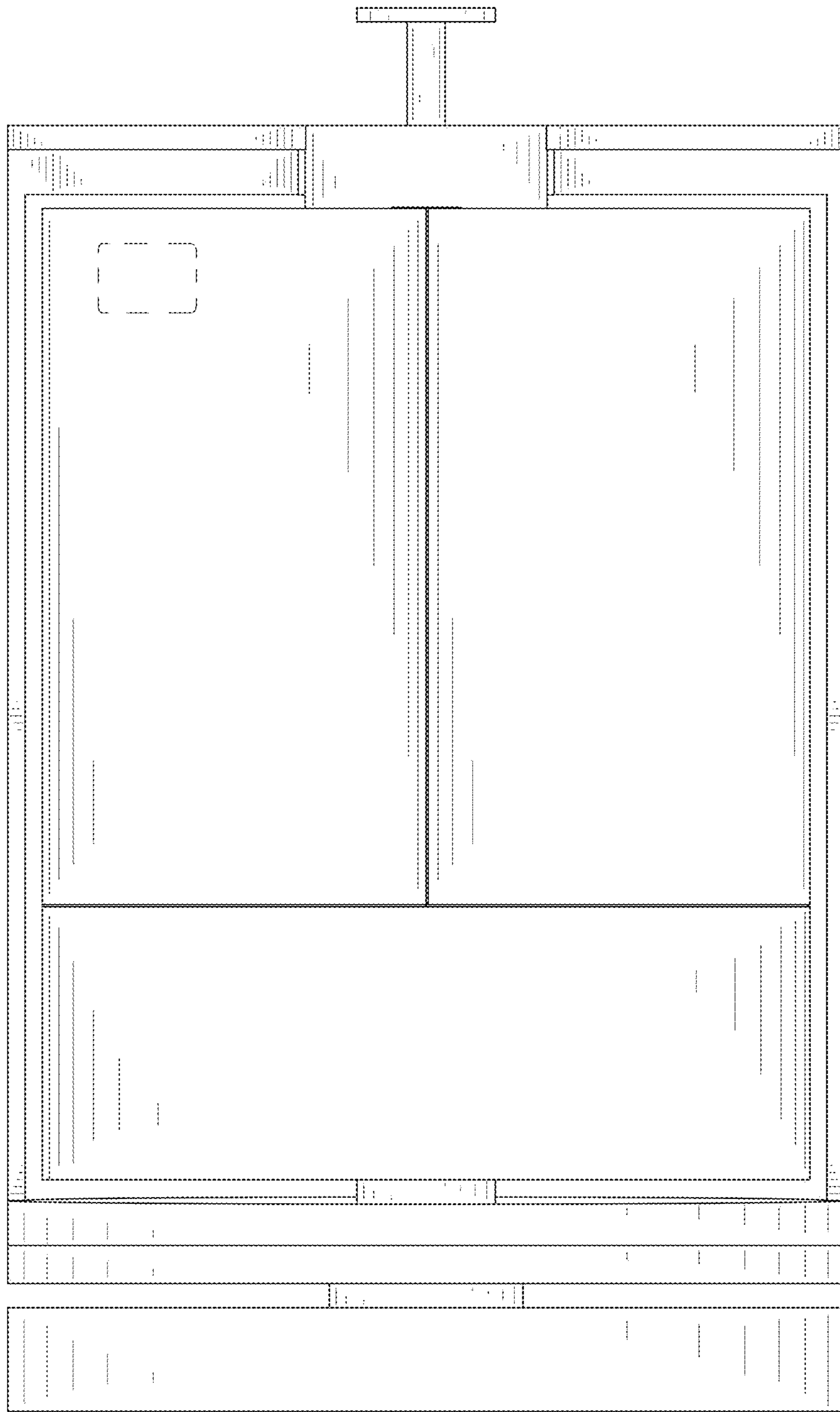


Fig. 1

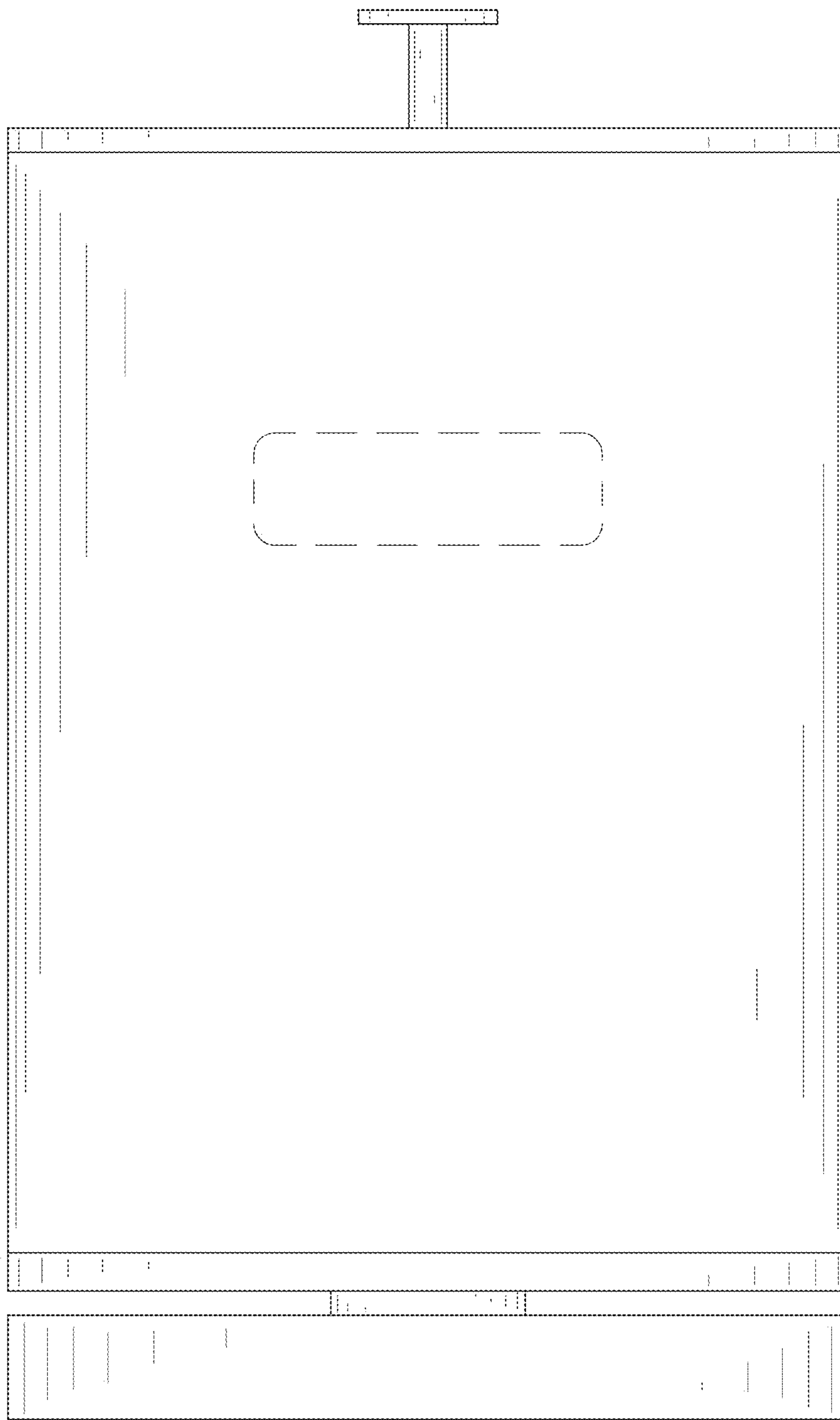


Fig. 2

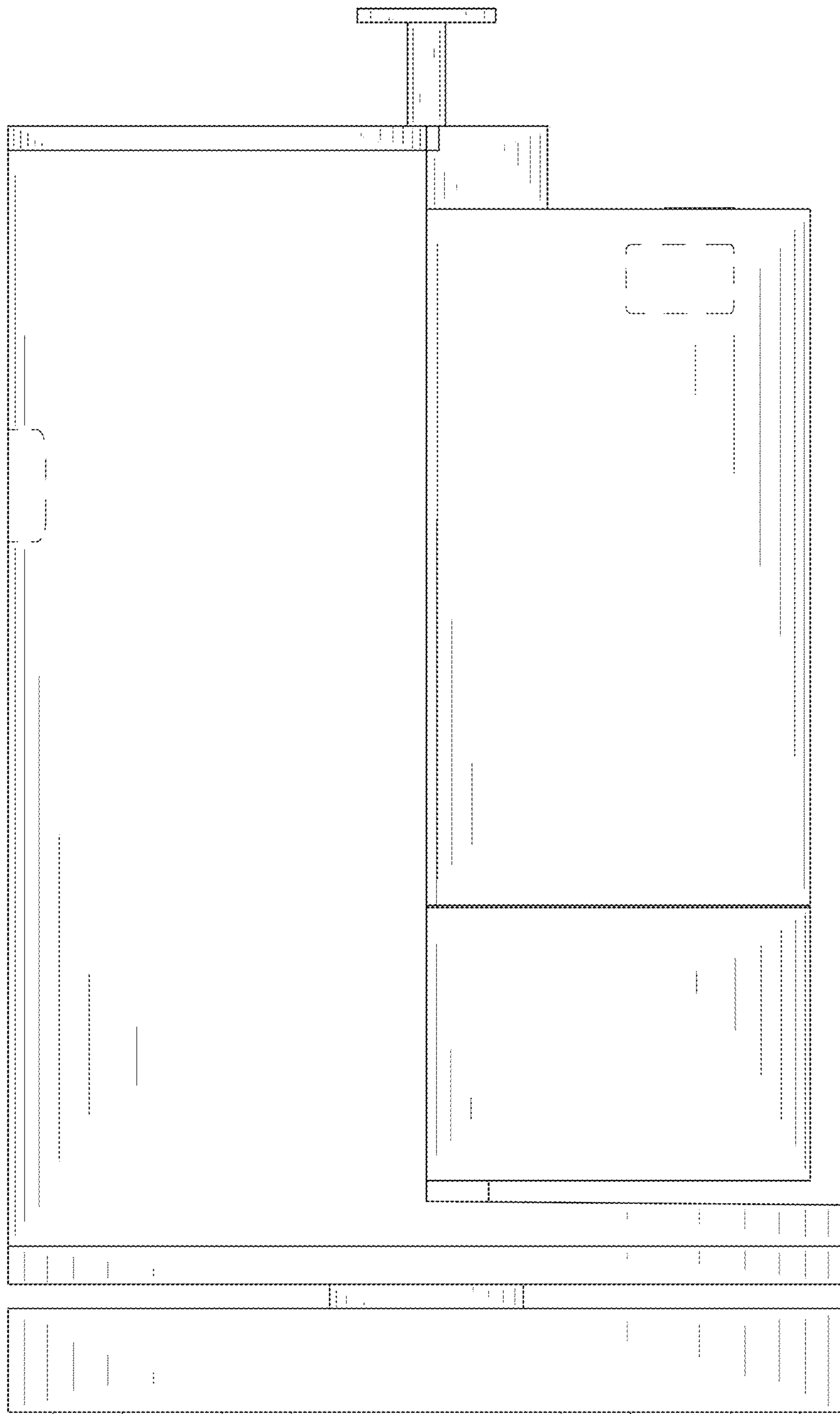


Fig. 3

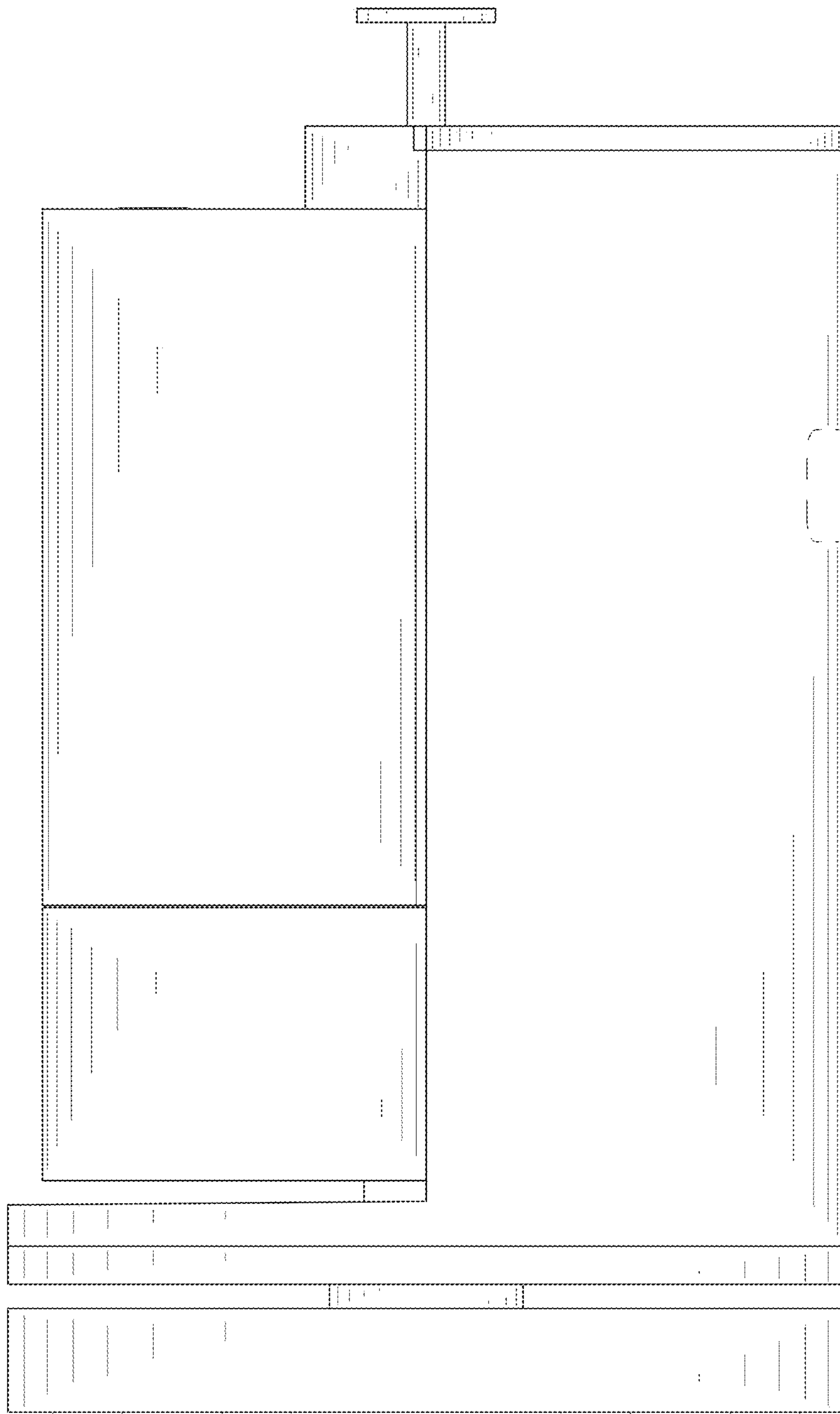


Fig. 4

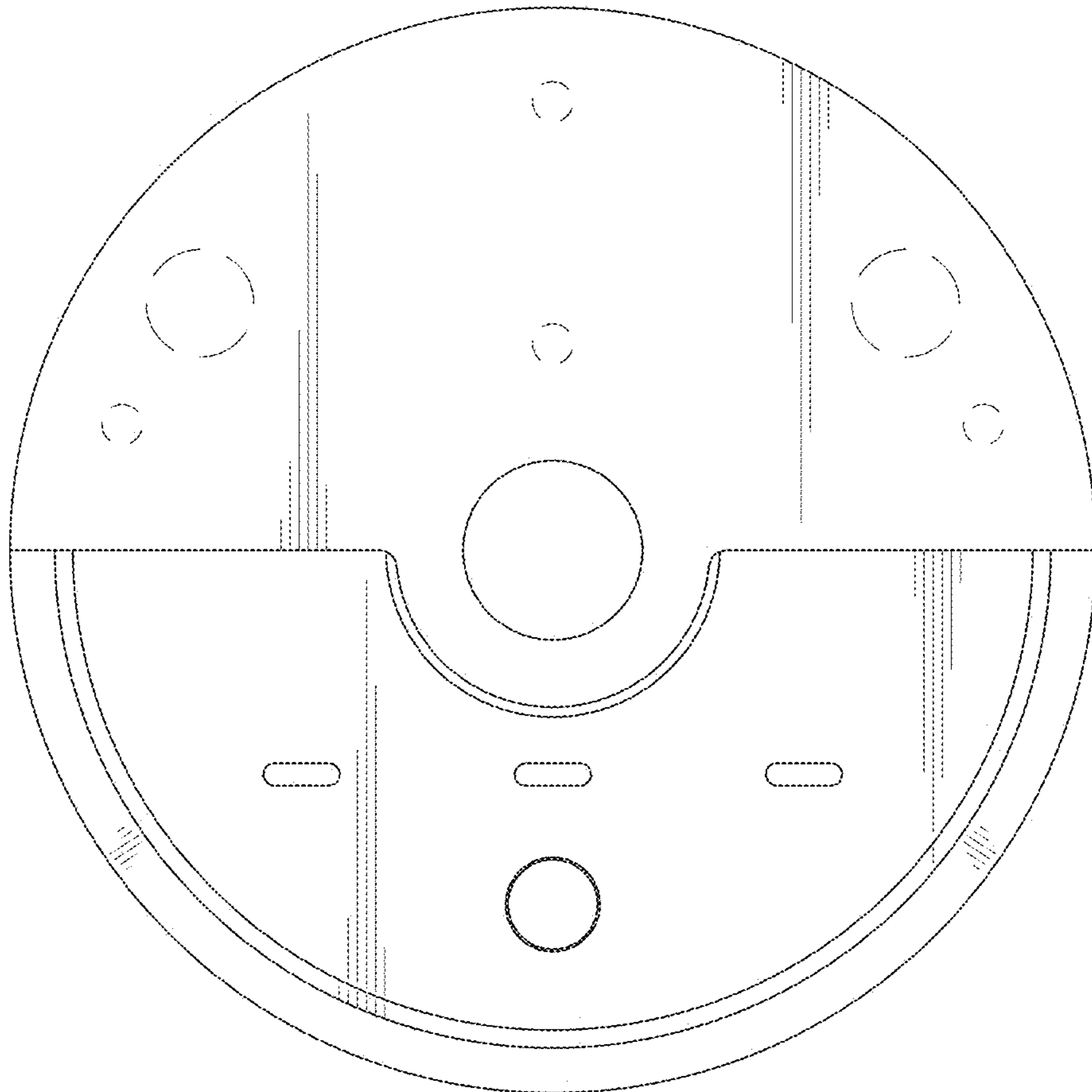


Fig. 5

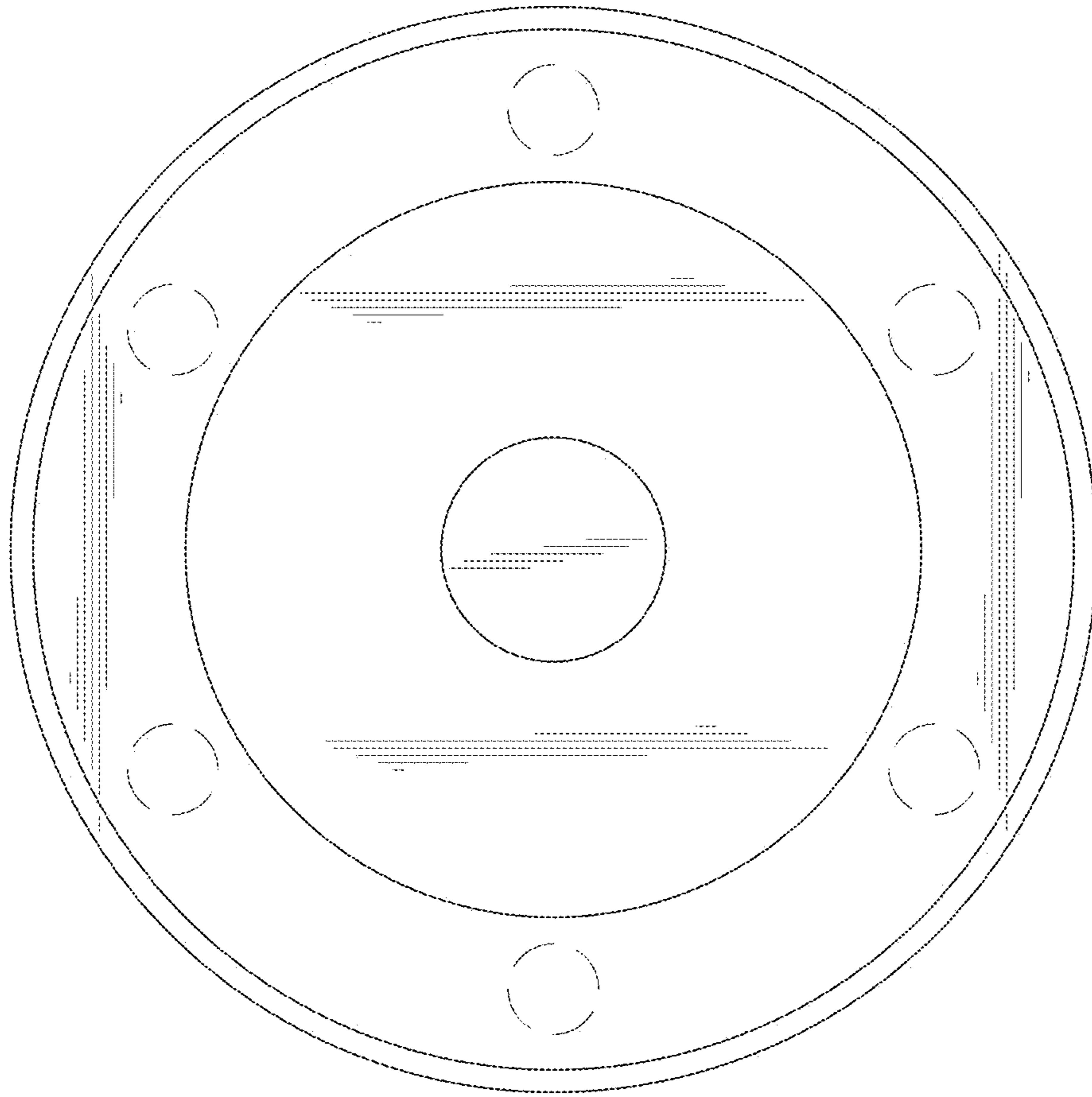


Fig. 6



Fig. 7

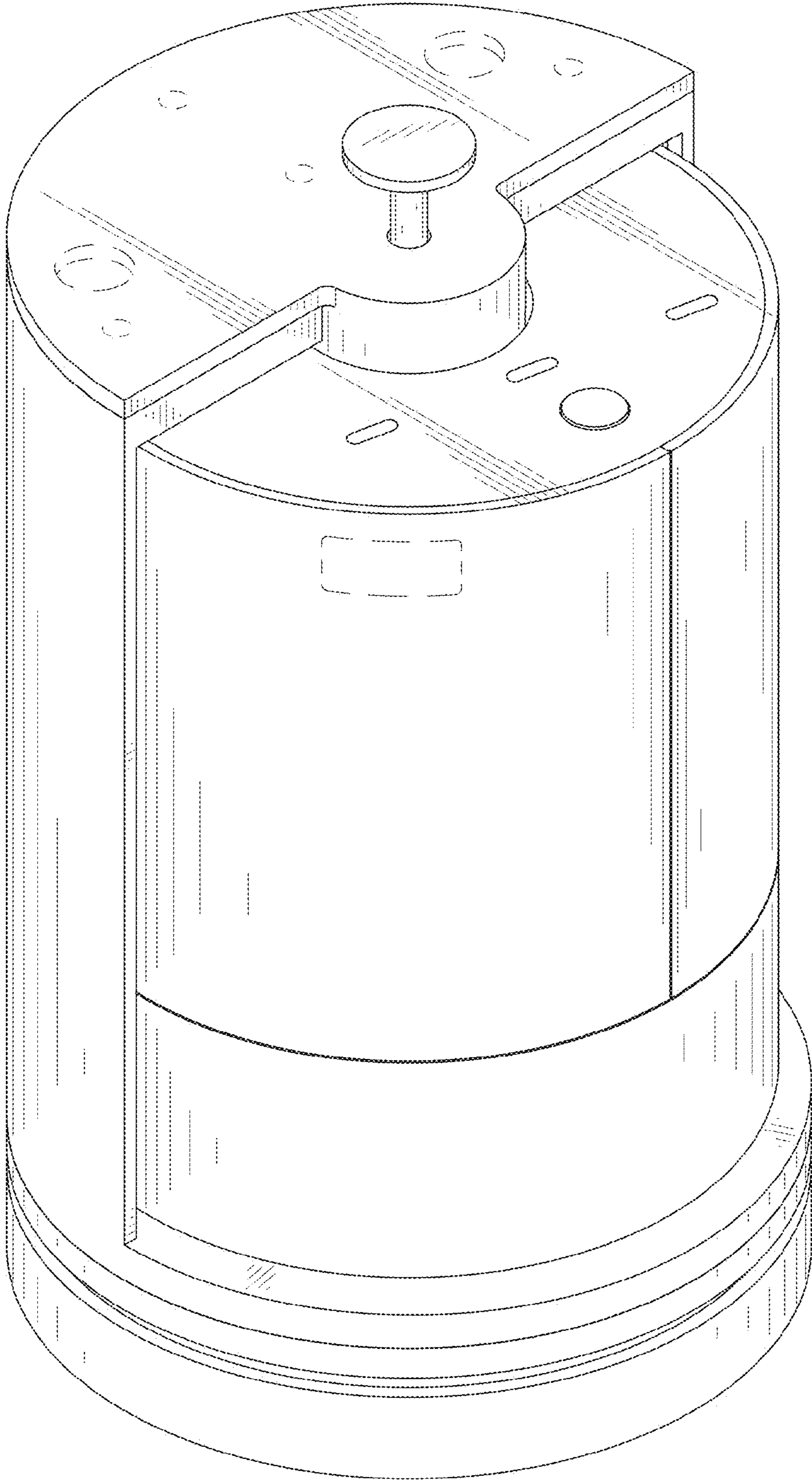


Fig. 8

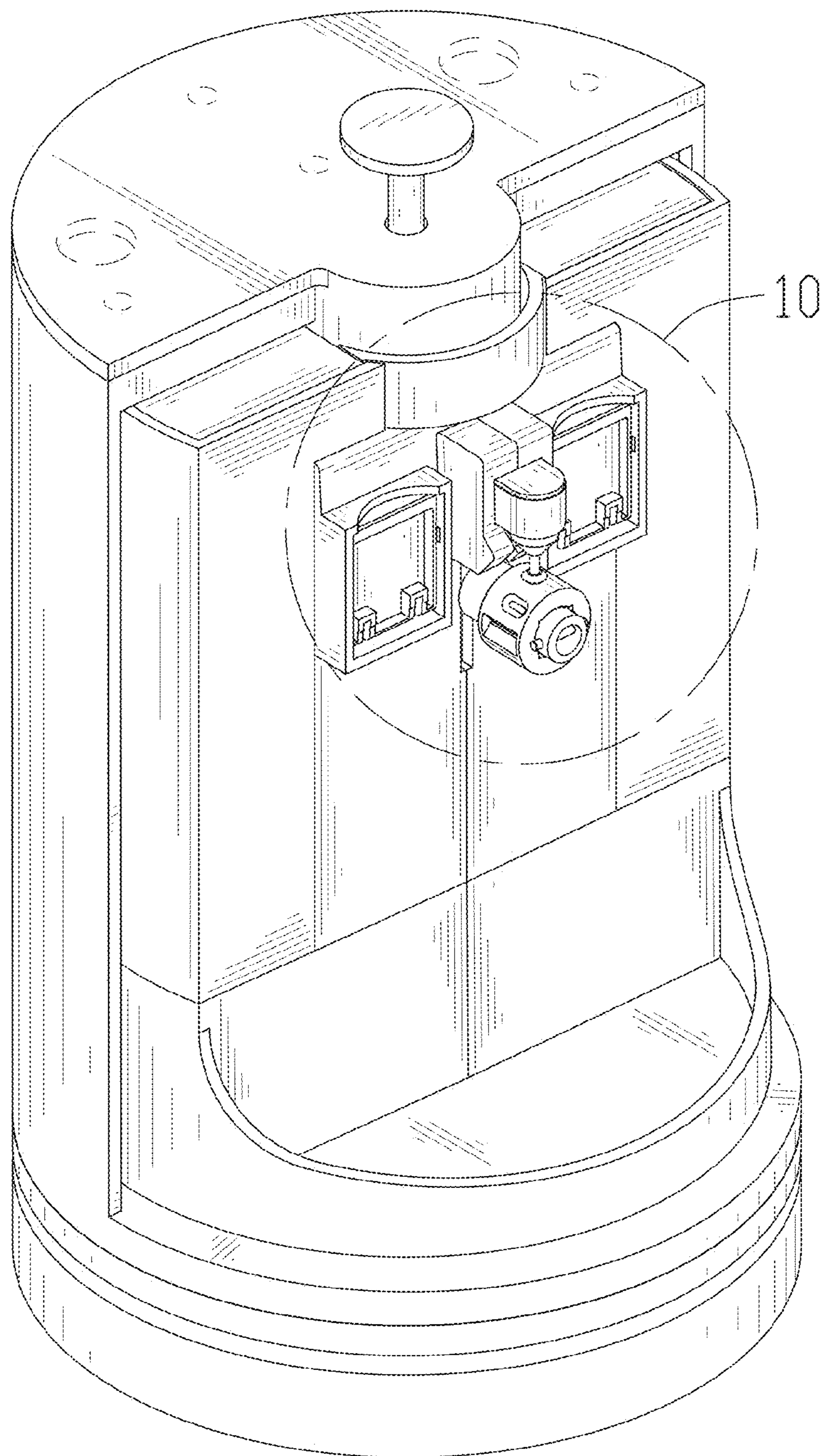


Fig. 9

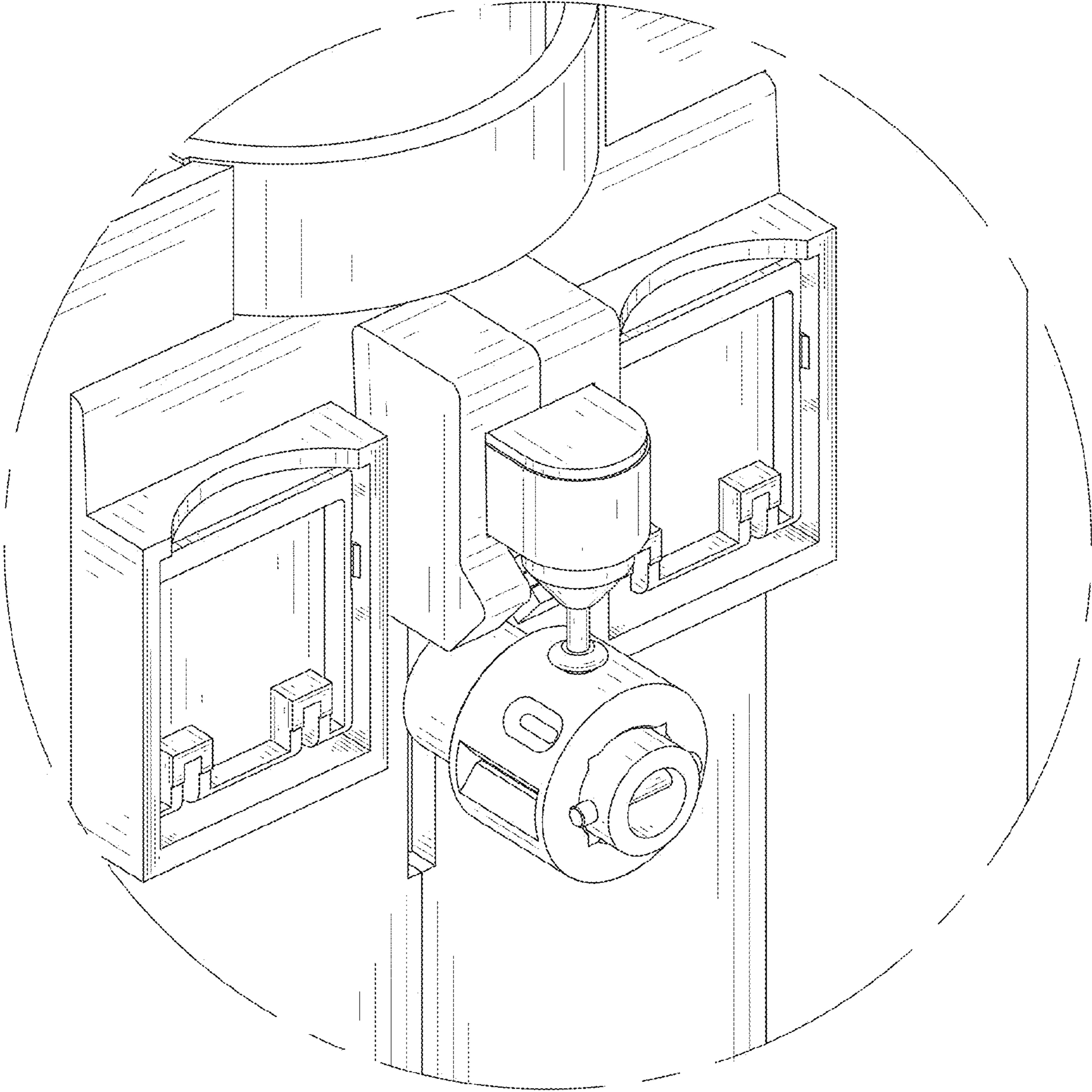


Fig. 10

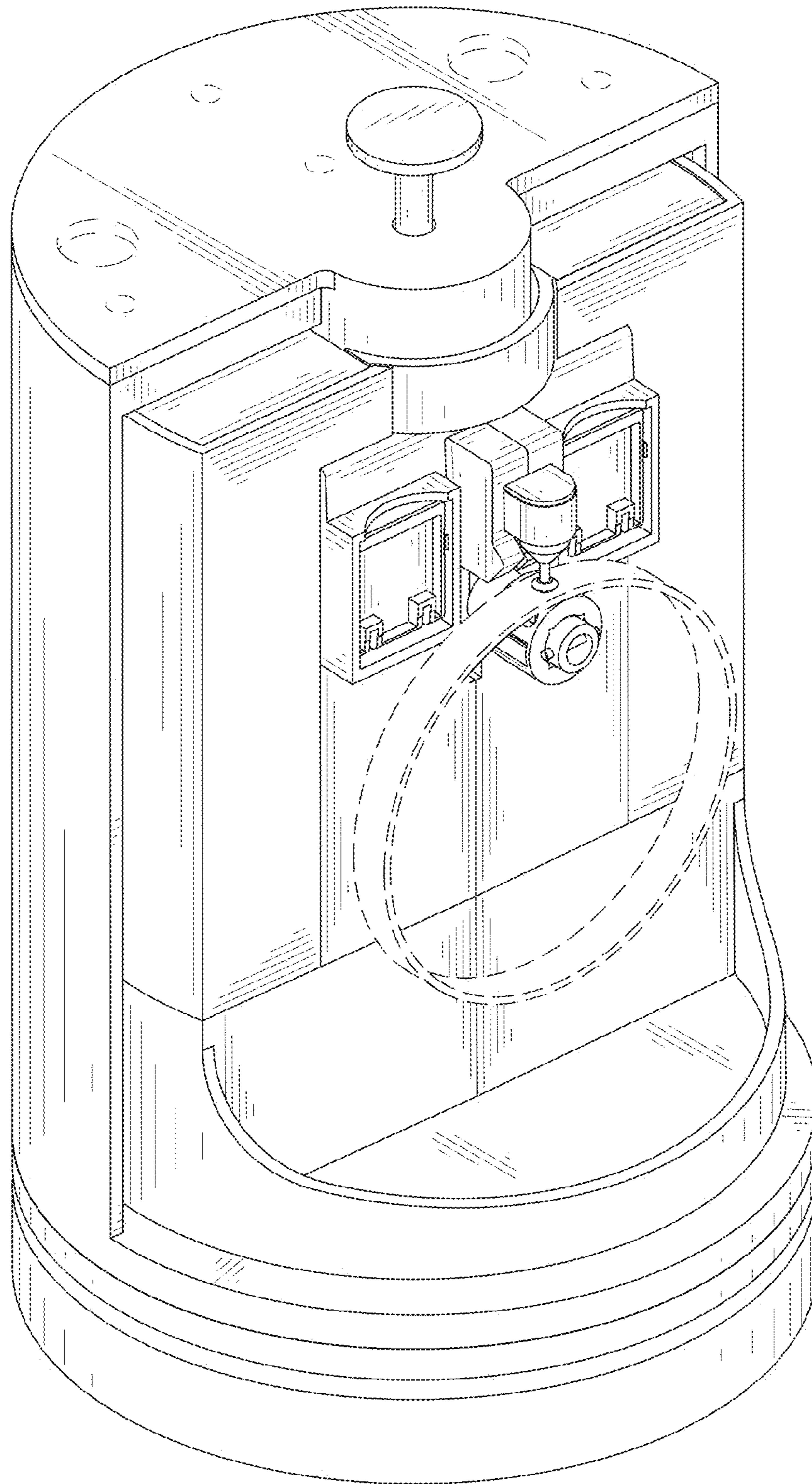


Fig. 11

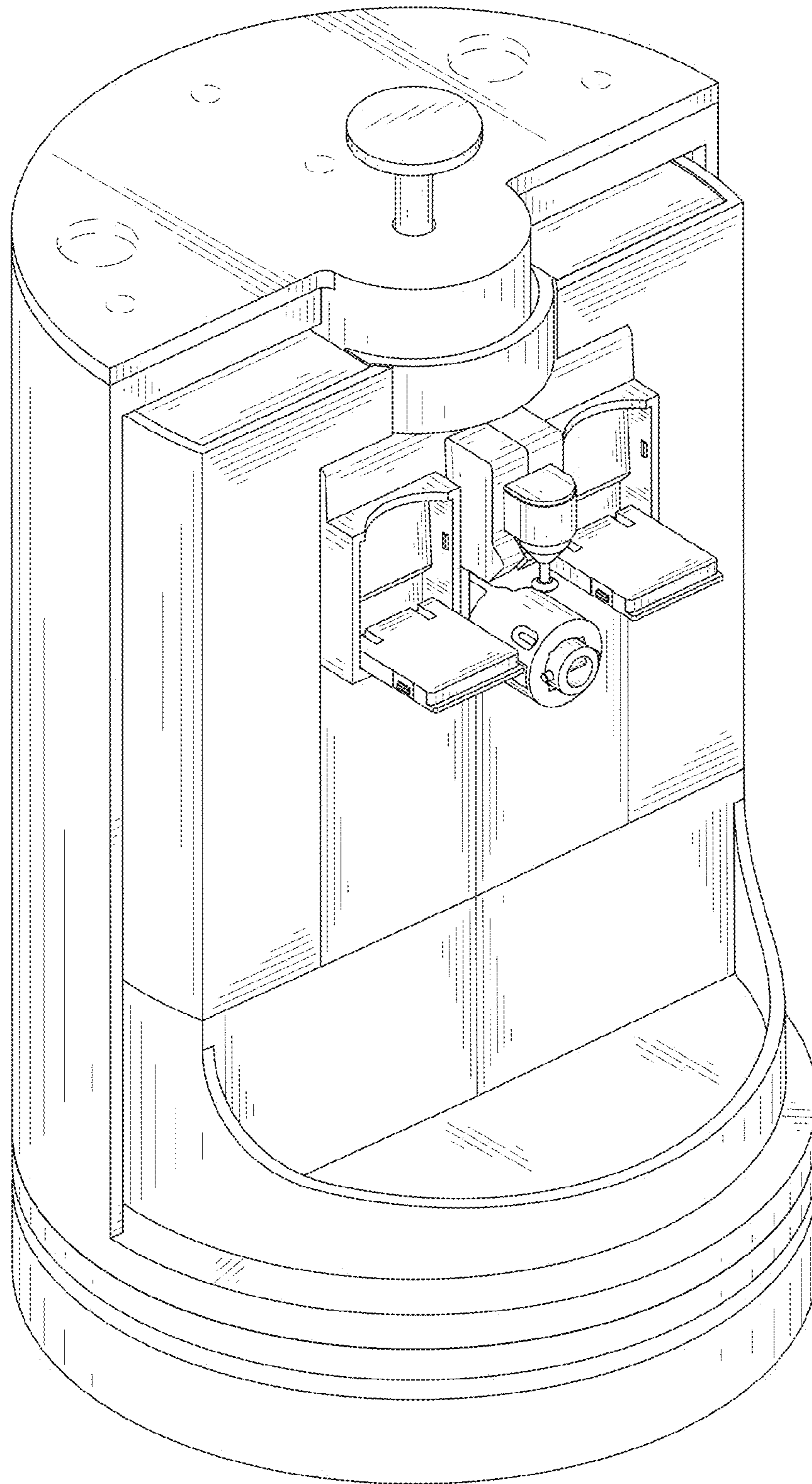


Fig. 12

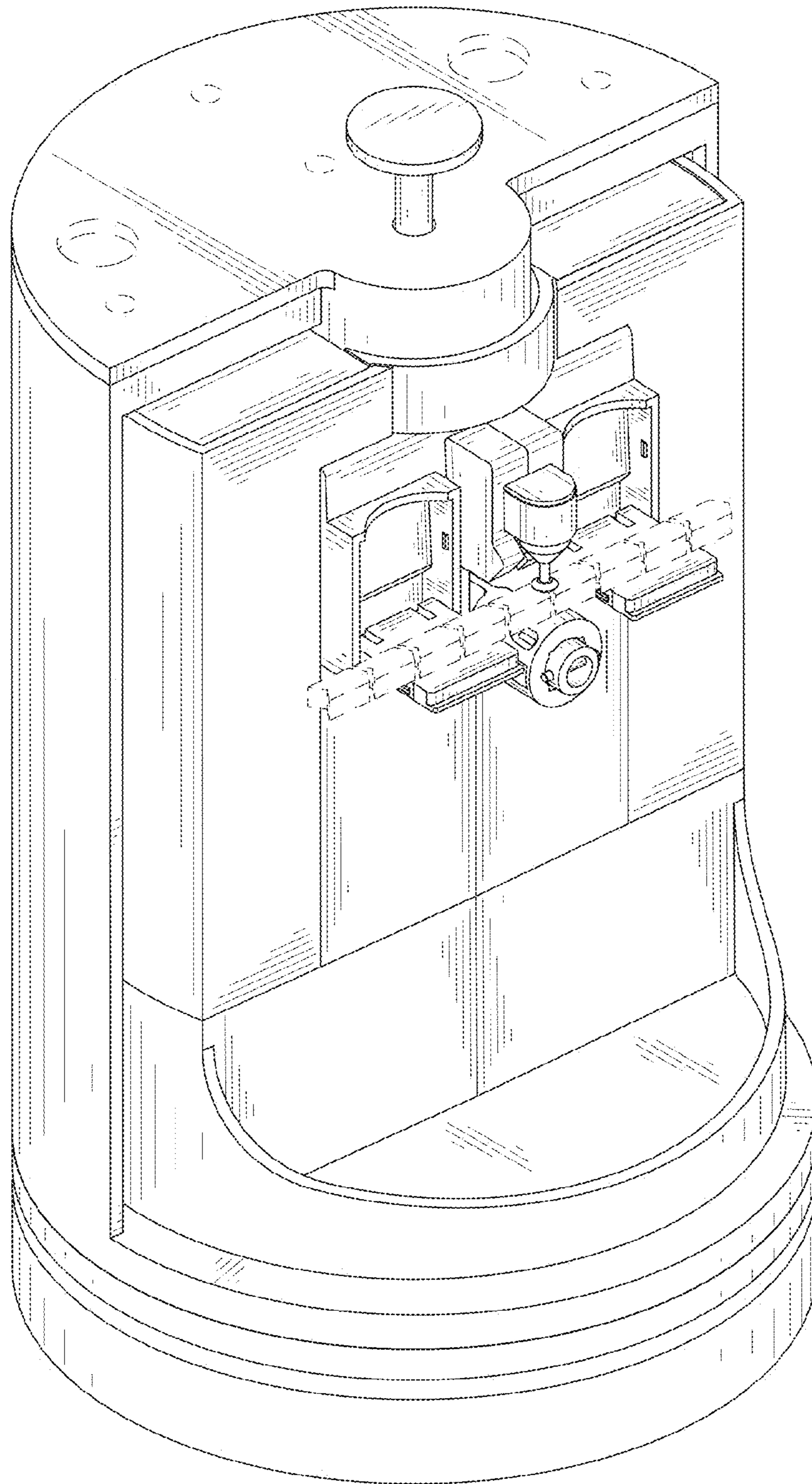


Fig. 13