



US00D878228S

(12) **United States Design Patent**
Takano

(10) **Patent No.:** **US D878,228 S**

(45) **Date of Patent:** **** Mar. 17, 2020**

(54) **GAS ANALYZER**

(71) Applicant: **YOKOGAWA ELECTRIC CORPORATION, Tokyo (JP)**

(72) Inventor: **Naoto Takano, Musashino (JP)**

(73) Assignee: **YOKOGAWA ELECTRIC CORPORATION (JP)**

(**) Term: **15 Years**

(21) Appl. No.: **35/506,210**

(22) Filed: **Jun. 8, 2018**

(80) **Hague Agreement Data**

Int. Filing Date: **Jun. 8, 2018**

Int. Reg. No.: **DM/103492**

Int. Reg. Date: **Jun. 8, 2018**

Int. Reg. Pub. Date: **Dec. 14, 2018**

(51) **LOC (12) Cl.** **10-04**

(52) **U.S. Cl.**
USPC **D10/81**

(58) **Field of Classification Search**
USPC D10/81, 96
CPC G01N 21/05; A61M 11/06
See application file for complete search history.

(56) **References Cited**

U.S. PATENT DOCUMENTS

D375,056 S *	10/1996	Sewell	D10/96
5,797,389 A *	8/1998	Ryder	A61M 11/06
				128/200.21
D762,504 S *	8/2016	Senba	D10/81
2013/0215412 A1 *	8/2013	Wynn	G01N 21/05
				356/51

* cited by examiner

Primary Examiner — George D. Kirschbaum

(74) *Attorney, Agent, or Firm* — Saidman DesignLaw Group, LLC

(57) **CLAIM**

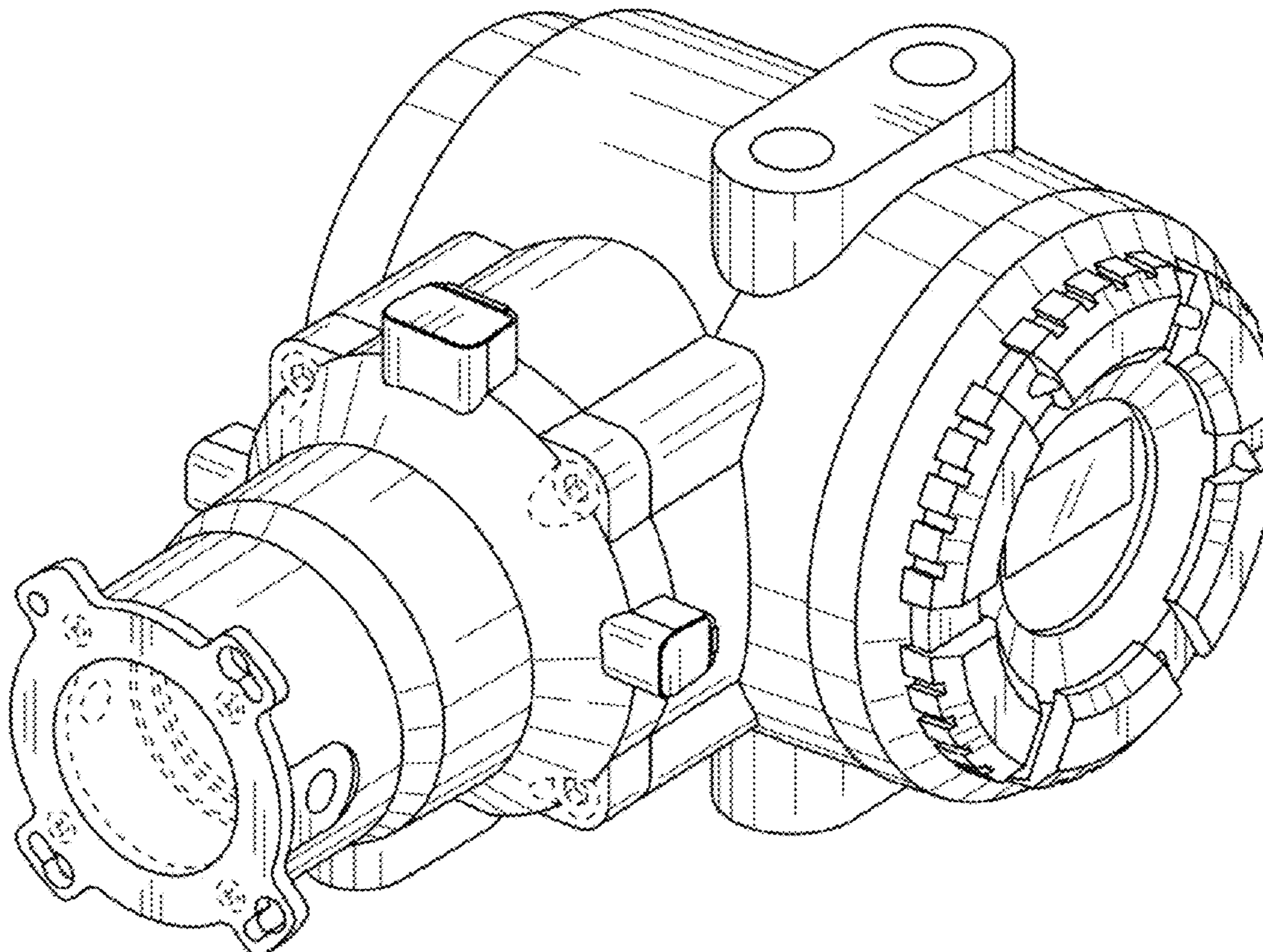
The ornamental design for gas analyzer, as shown and described.

DESCRIPTION

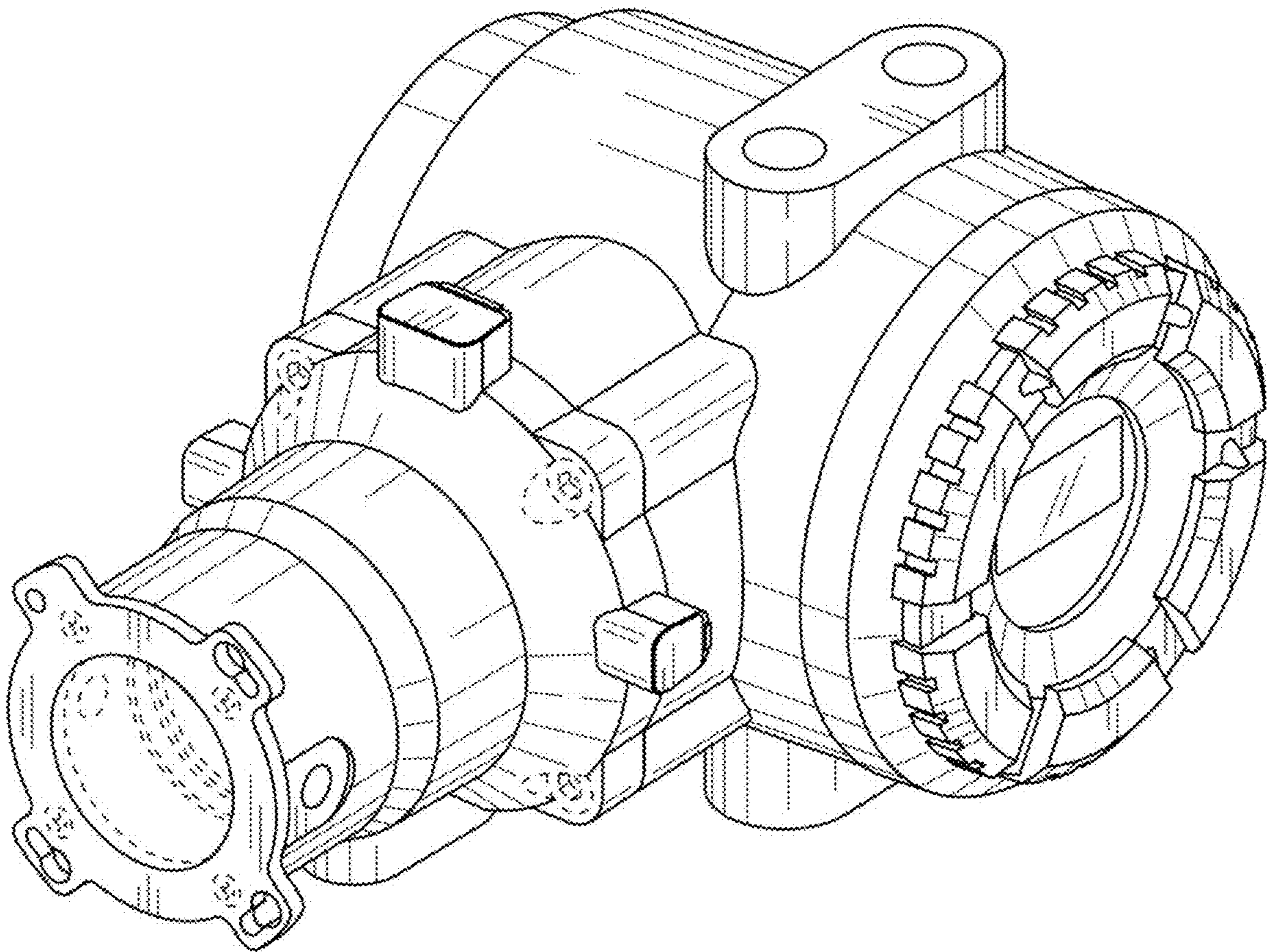
- 1. Gas analyzer
- 1.1 Perspective
- 1.2 Front
- 1.3 Back
- 1.4 Top
- 1.5 Bottom
- 1.6 Left
- 1.7 Right

The broken lines do not form part of the claimed design.

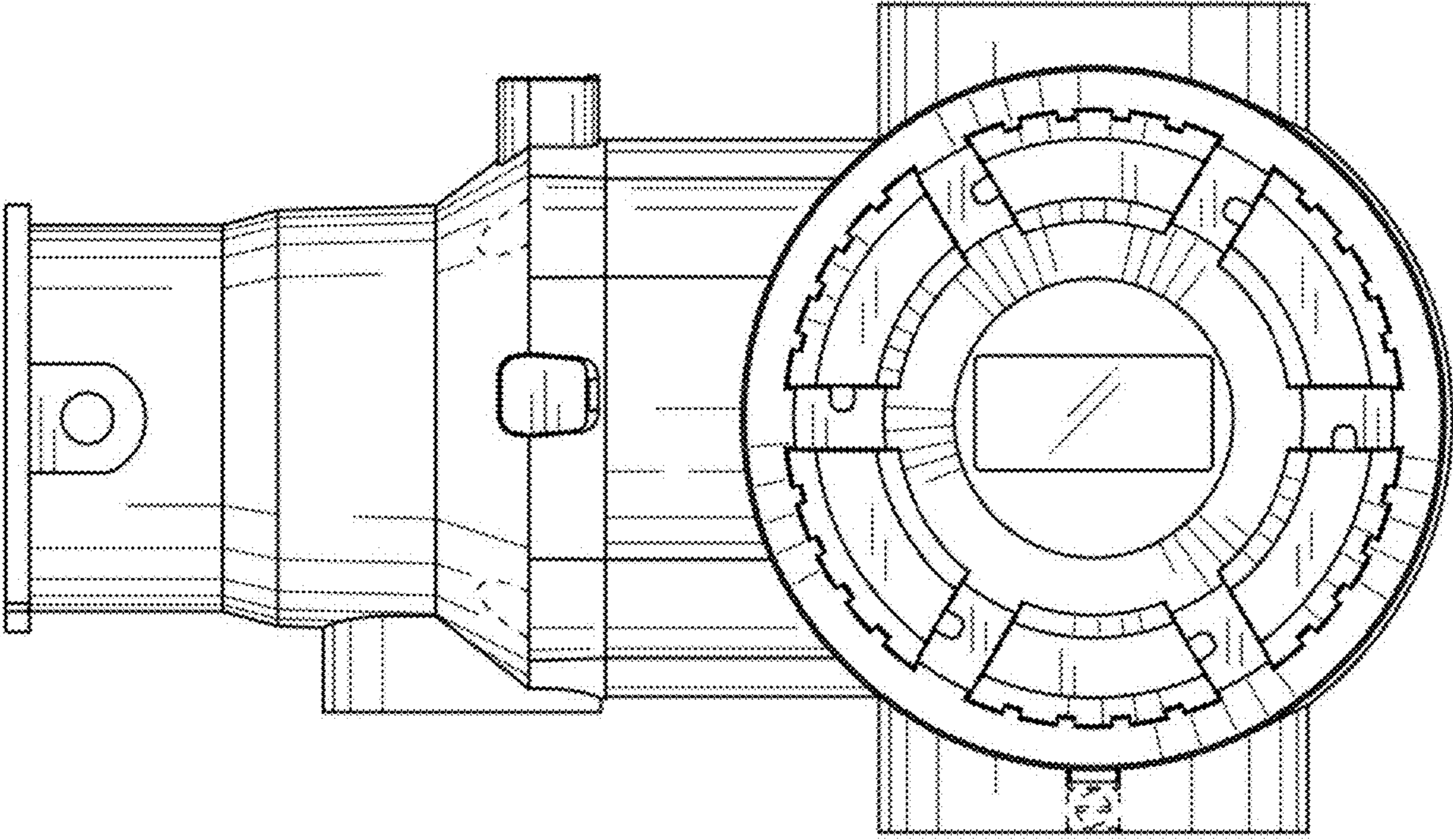
1 Claim, 7 Drawing Sheets



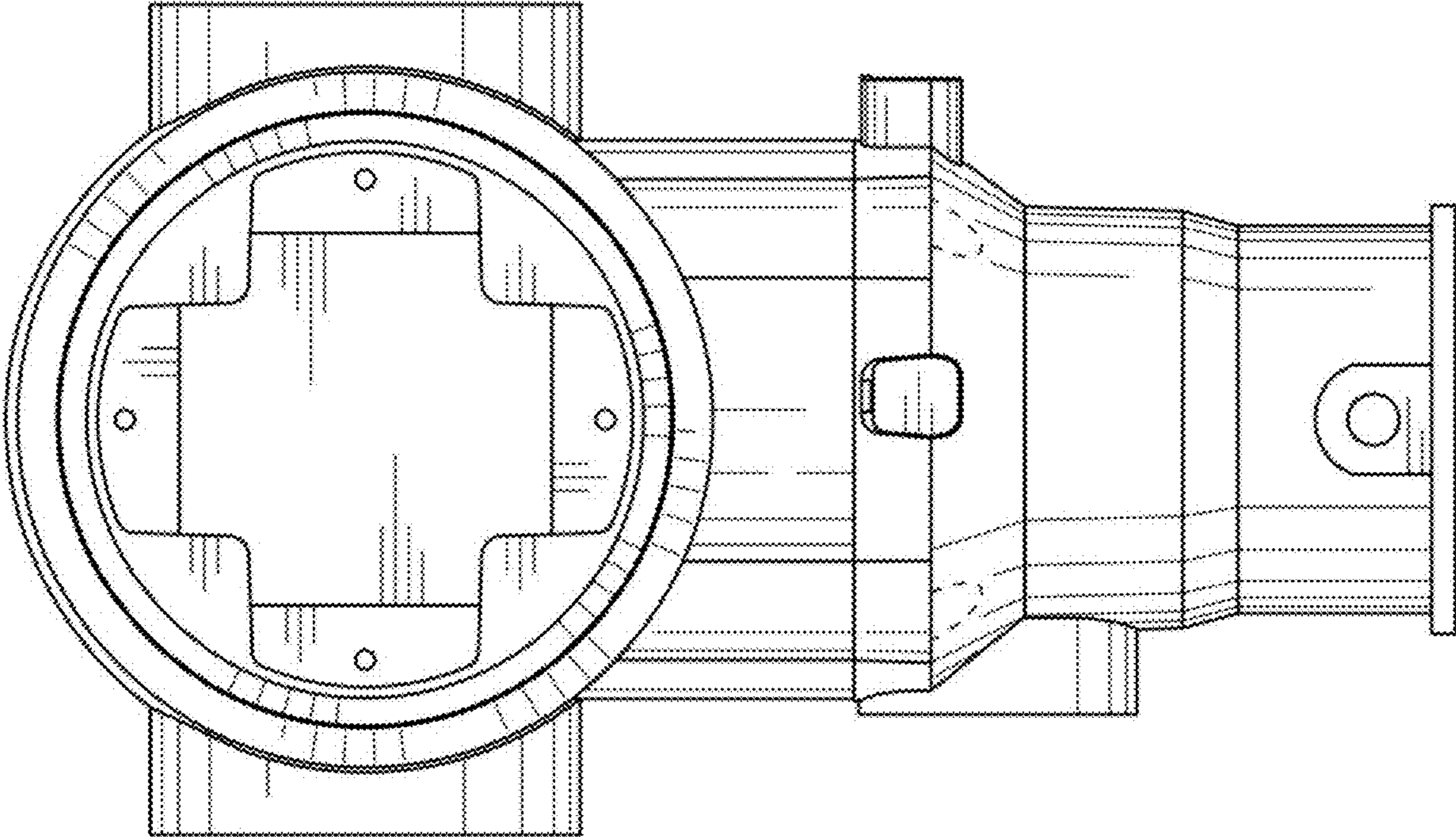
1.1



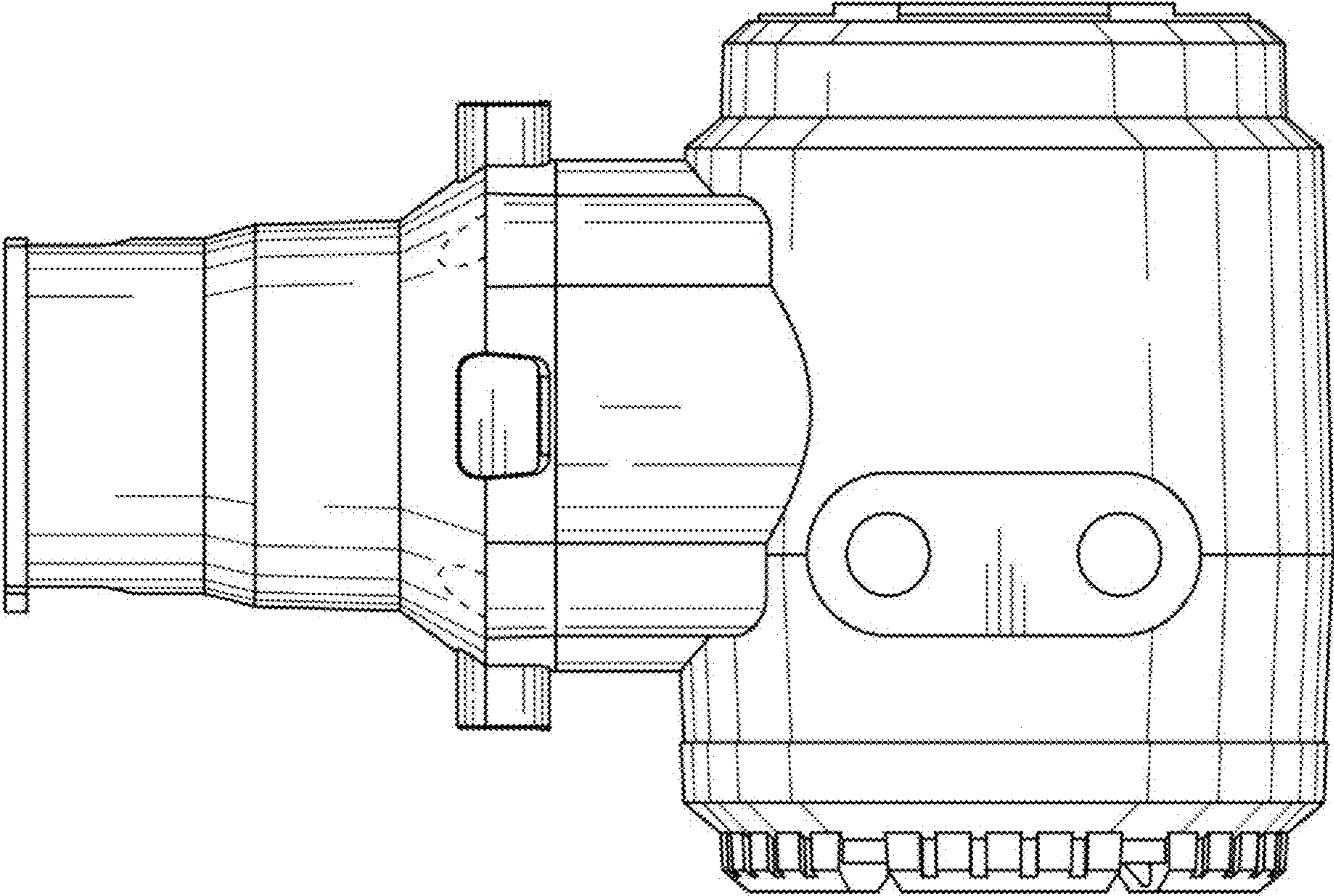
1.2



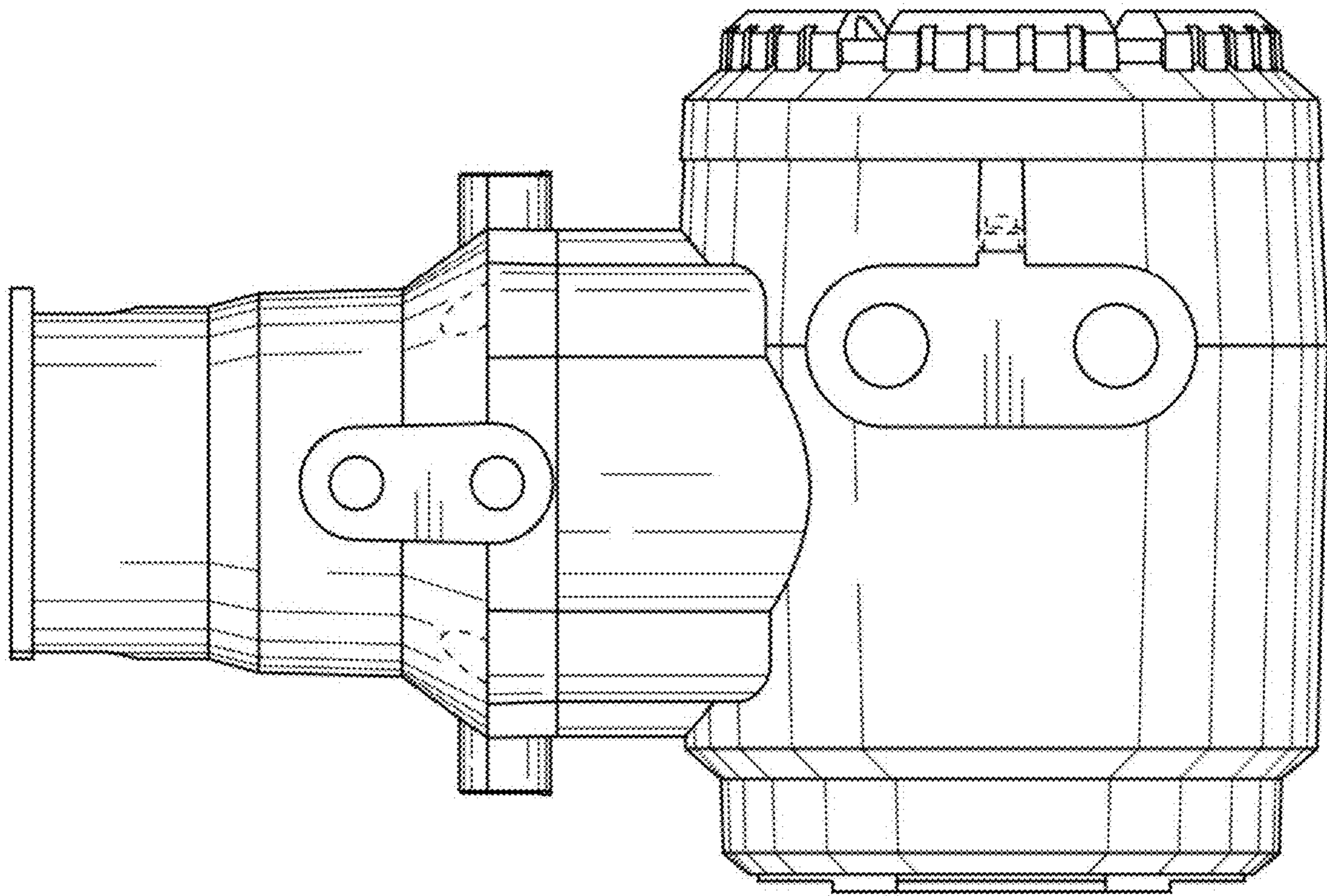
1.3



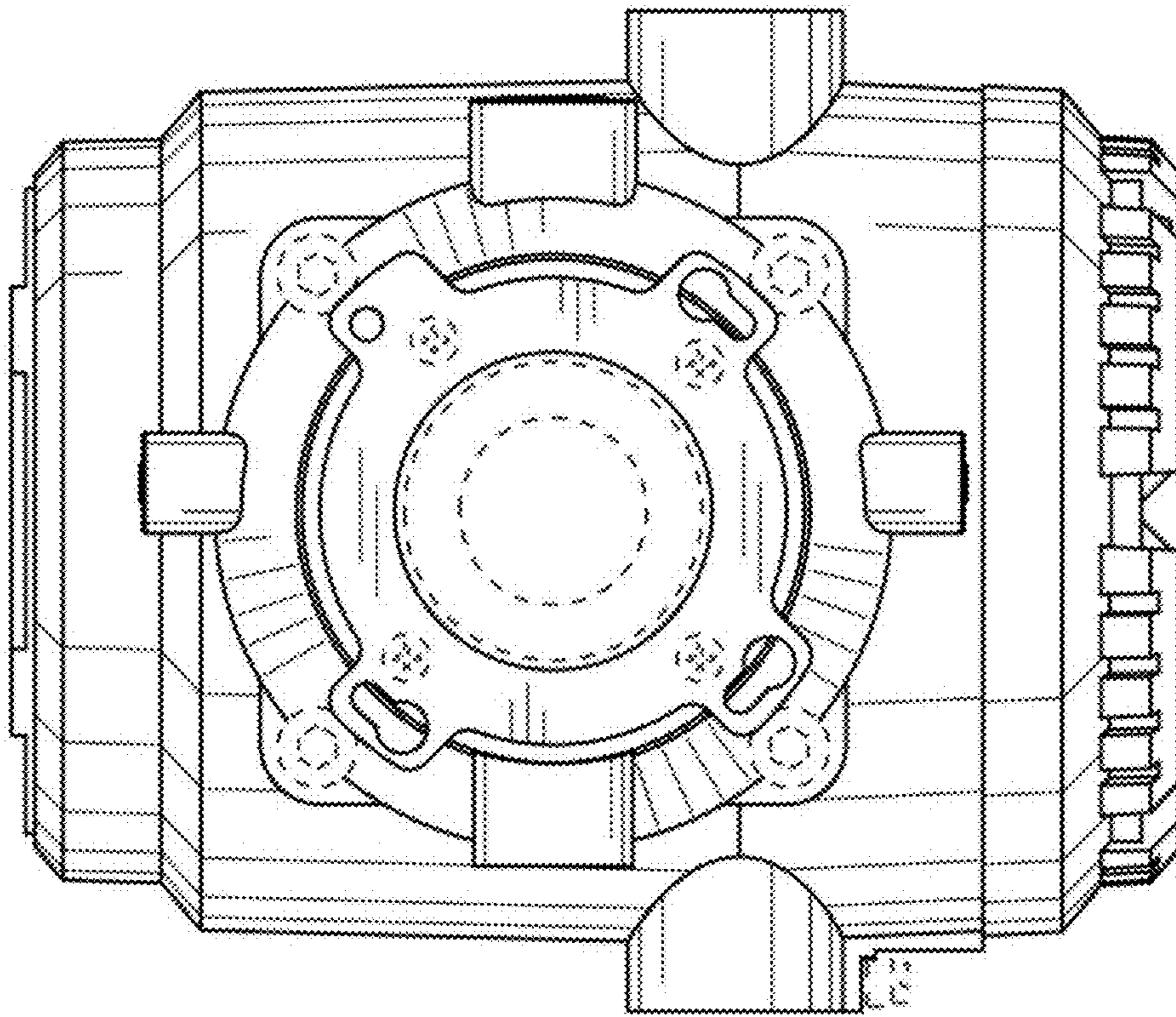
1.4



1.5



1.6



1.7

