



US00D878225S

(12) **United States Design Patent**  
**Qian et al.**

(10) **Patent No.:** **US D878,225 S**

(45) **Date of Patent:** **\*\* \*Mar. 17, 2020**

(54) **BATTERY TESTING DEVICE**

(71) Applicants: **Tsinghua University**, Beijing (CN);  
**HON HAI PRECISION INDUSTRY CO., LTD.**, New Taipei (TW)

(72) Inventors: **Li Qian**, Beijing (CN); **Yu-Quan Wang**, Beijing (CN); **Fu-Jun Wang**, Beijing (CN); **Li-Yong Ma**, Beijing (CN); **Xue-Wei Guo**, Beijing (CN); **Yang Wu**, Beijing (CN)

(73) Assignee: **Tsinghua University**, Beijing (CN)

(\*) Notice: This patent is subject to a terminal disclaimer.

(\*\*) Term: **15 Years**

(21) Appl. No.: **29/600,796**

(22) Filed: **Apr. 14, 2017**

(30) **Foreign Application Priority Data**

Jan. 23, 2017 (CN) ..... 2017 3 0027219

(51) **LOC (12) Cl.** ..... **10-04**

(52) **U.S. Cl.**  
USPC ..... **D10/77**

(58) **Field of Classification Search**  
USPC ..... D10/75, 77, 78, 79, 80, 81  
CPC .... G01R 31/36; G01R 31/385; G01R 31/389;  
G01R 31/392; G01R 31/3627; G01R 31/3644; G01N 21/27; H01M 10/4285  
See application file for complete search history.

(56) **References Cited**

U.S. PATENT DOCUMENTS

D228,914	S	*	10/1973	Mackenzie	.....	D10/75
D270,142	S	*	8/1983	Schwartz	.....	D10/77
5,376,887	A	*	12/1994	Saubolle	.....	G01R 31/378
						324/433
6,121,753	A	*	9/2000	Walker	.....	G01R 15/04
						320/132
D442,503	S	*	5/2001	Lundbeck	.....	D10/77
D474,703	S	*	5/2003	Scaglione	.....	D10/77
2010/0054488	A1	*	3/2010	Young	.....	H04R 29/00
						381/60

\* cited by examiner

*Primary Examiner* — Derrick E Holland

(74) *Attorney, Agent, or Firm* — ScienBiziP, P.C.

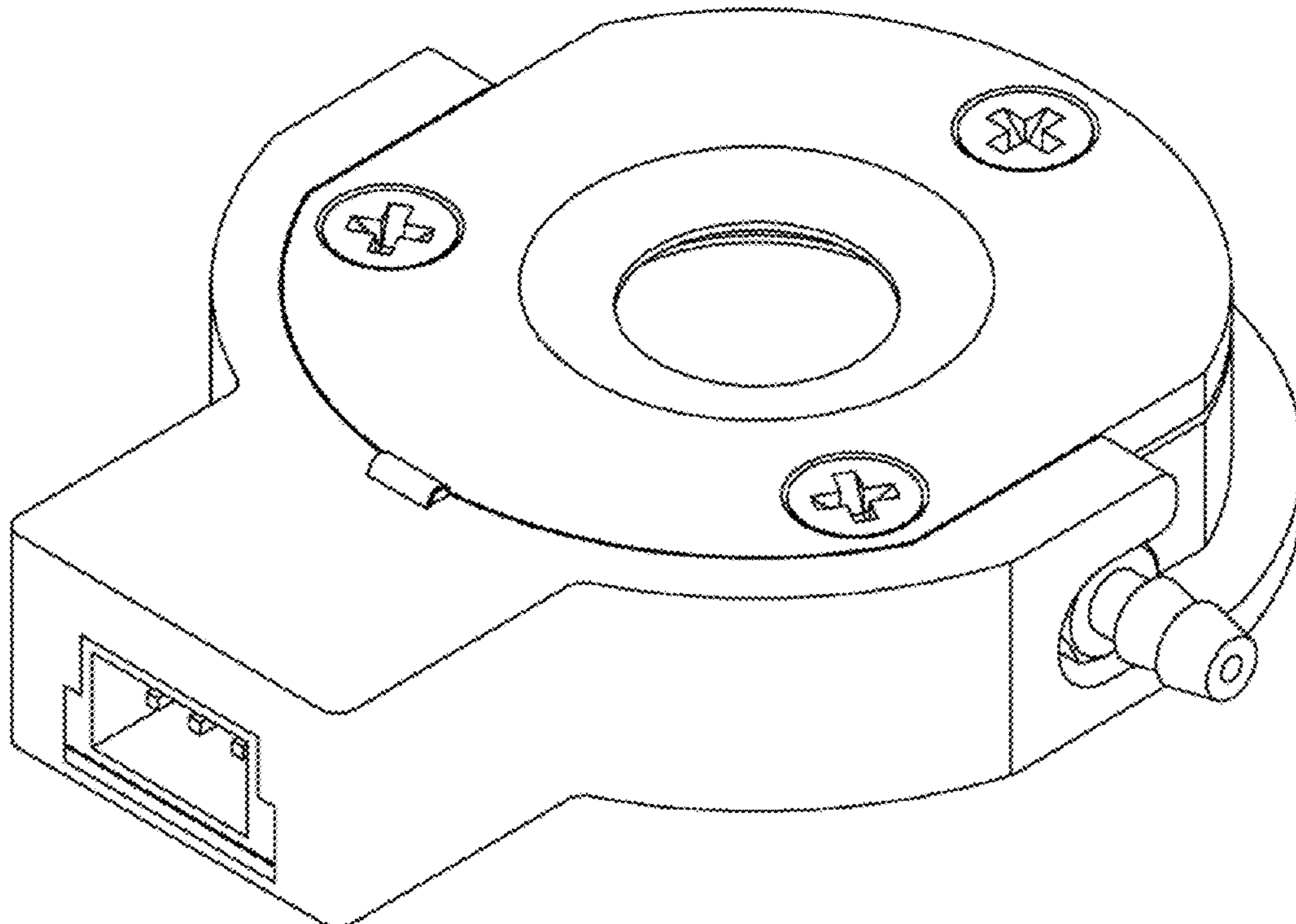
(57) **CLAIM**

The ornamental design for a battery testing device, as shown and described.

**DESCRIPTION**

FIG. 1 is a perspective view of a battery testing device showing our new design;  
FIG. 2 is a front elevation view thereof;  
FIG. 3 is a rear elevation view thereof;  
FIG. 4 is a left side elevation view thereof;  
FIG. 5 is a right side elevation view thereof;  
FIG. 6 is a top plan view thereof; and,  
FIG. 7 is a bottom plan view thereof.  
The broken lines show the portions of the battery testing device that form no part of the claimed design.

**1 Claim, 7 Drawing Sheets**



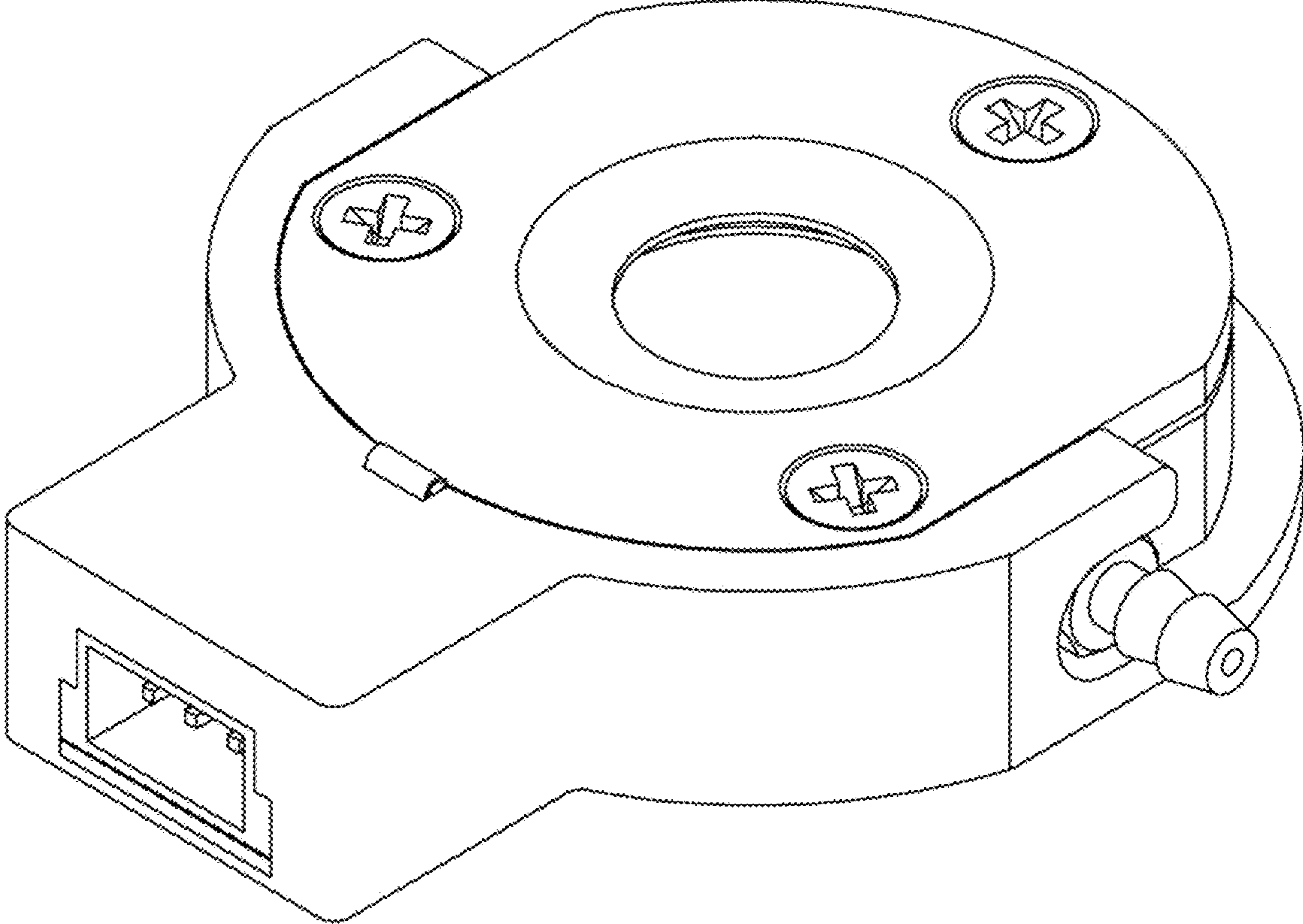


FIG. 1

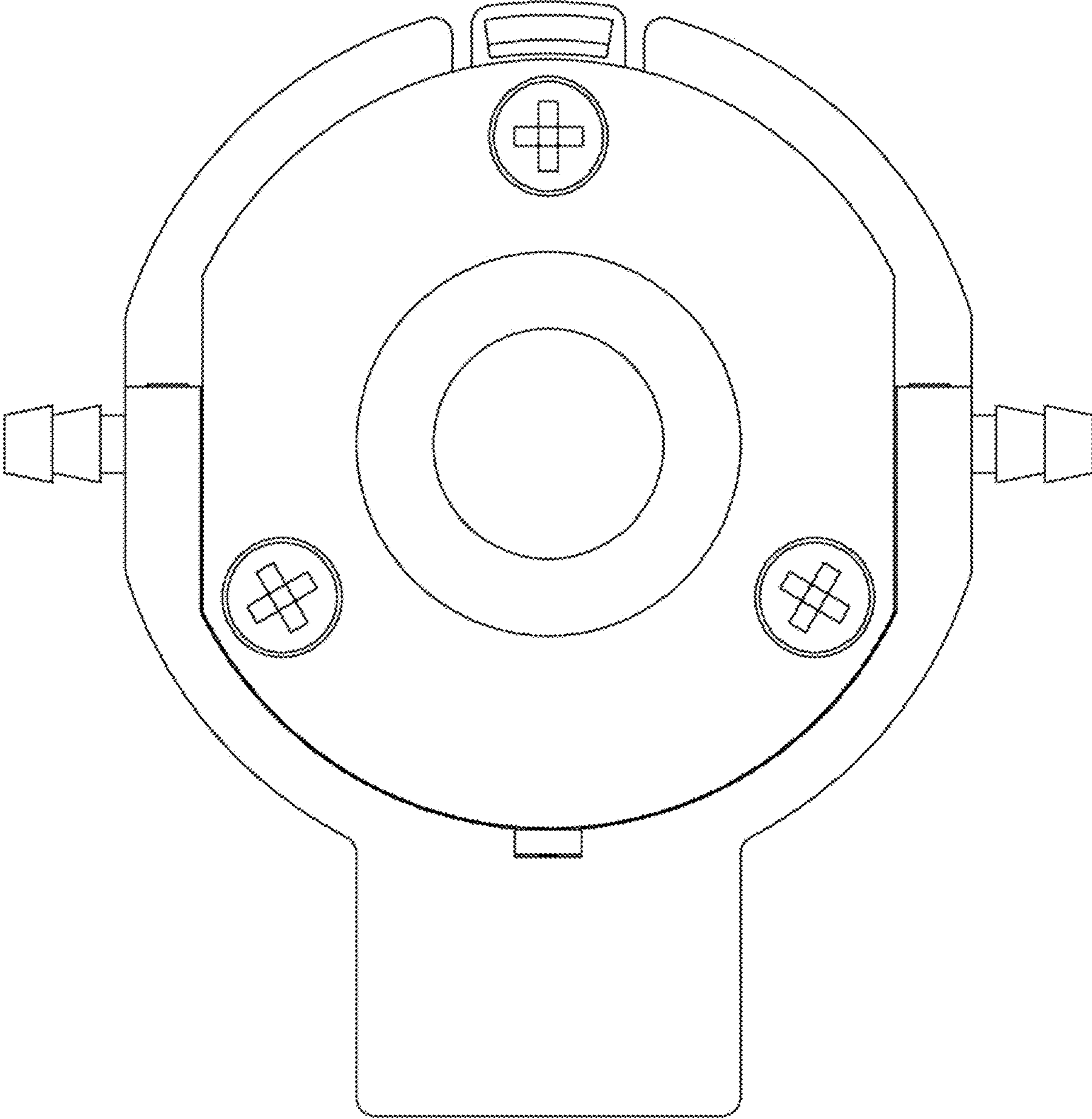


FIG. 2

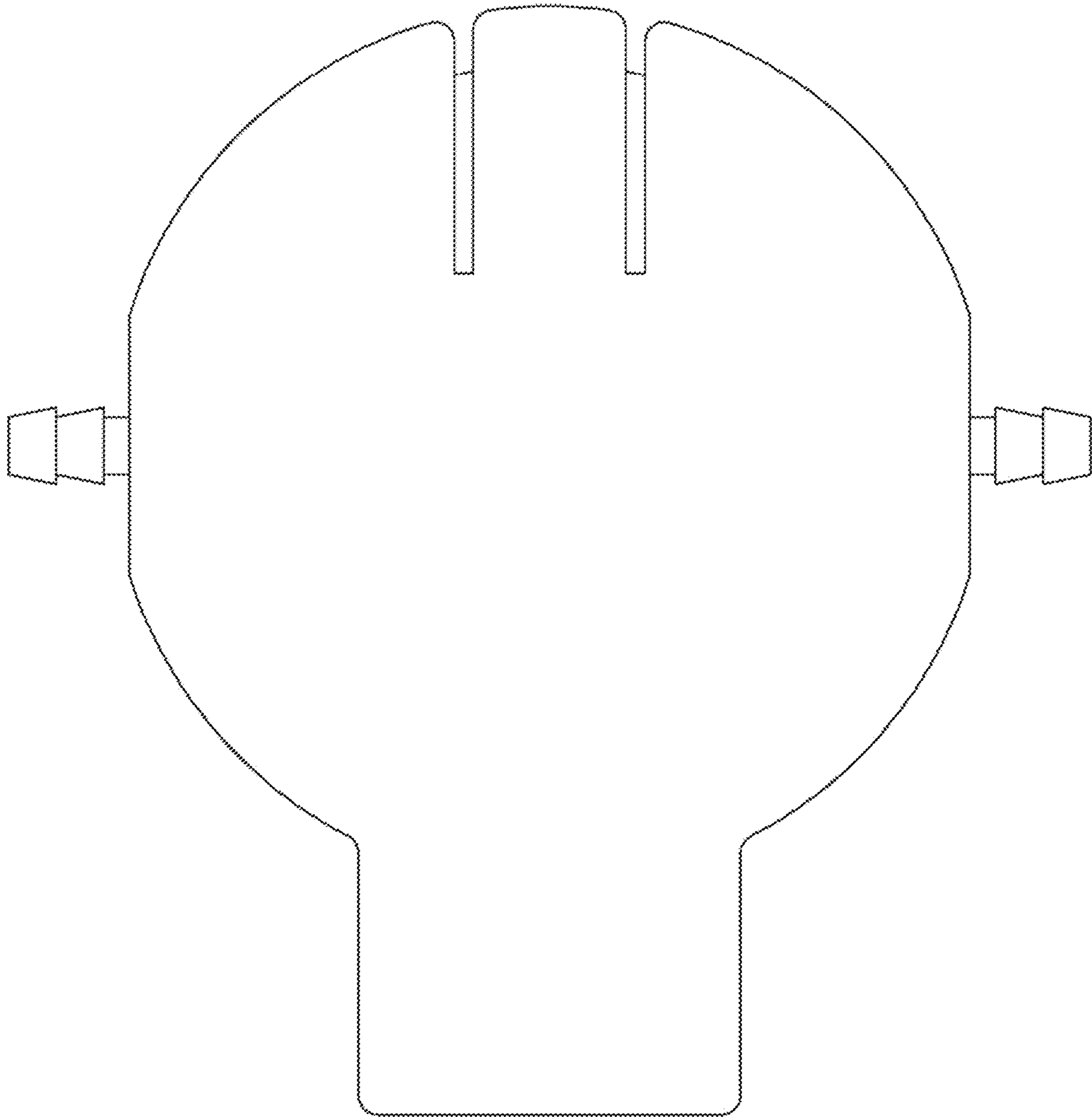


FIG. 3

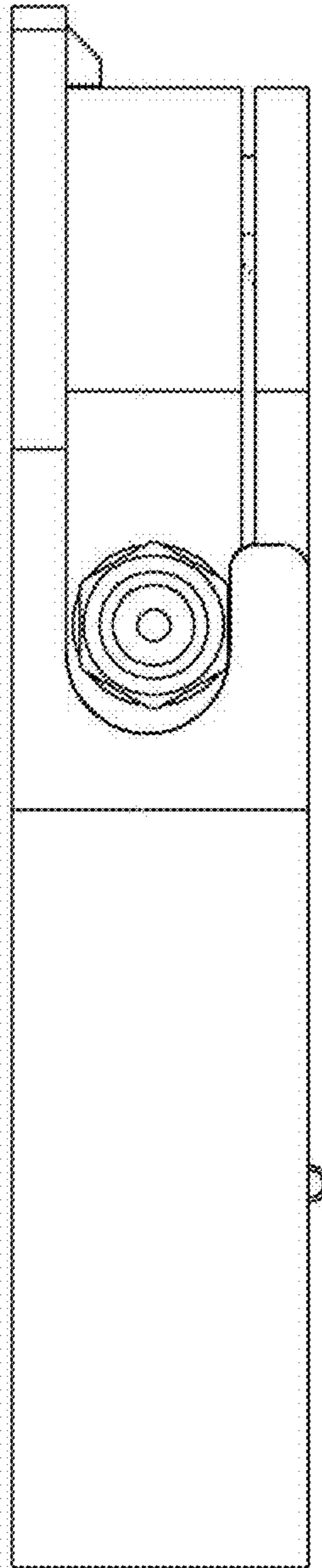


FIG. 4



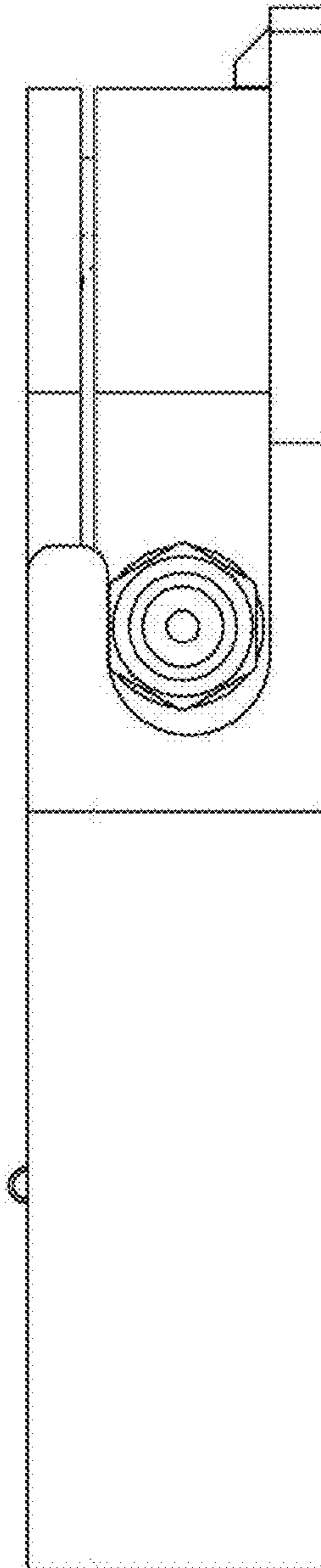


FIG. 5

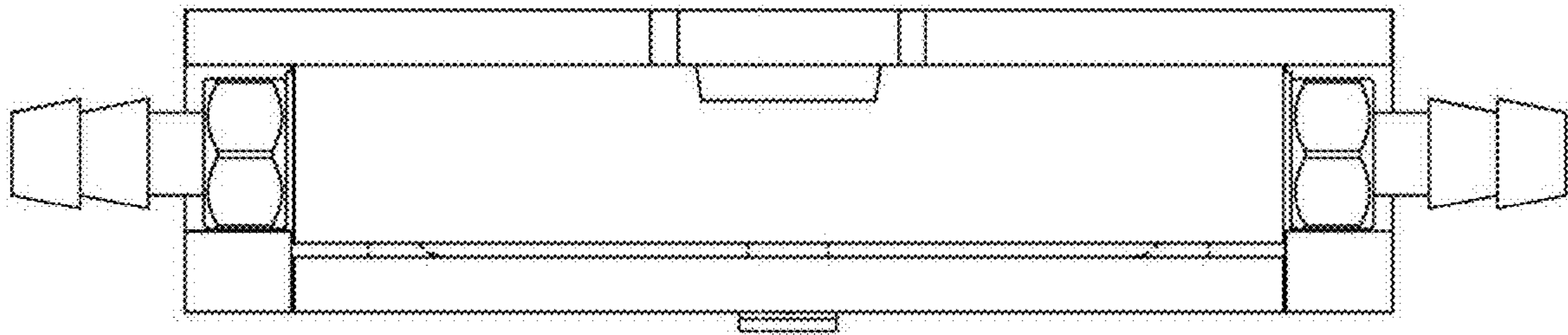


FIG. 6

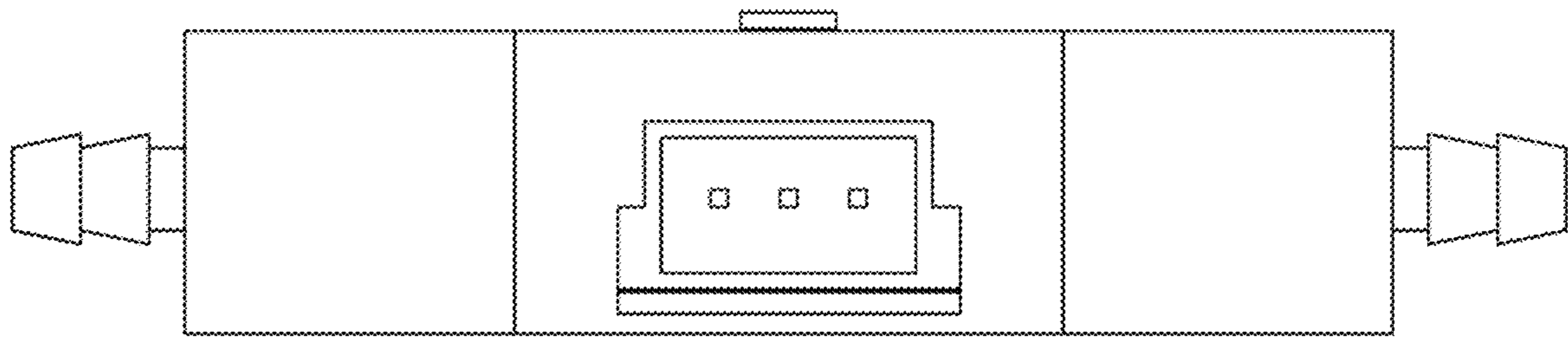


FIG. 7



UNITED STATES PATENT AND TRADEMARK OFFICE  
**CERTIFICATE OF CORRECTION**

PATENT NO. : D878,225 S  
APPLICATION NO. : 29/600796  
DATED : March 17, 2020  
INVENTOR(S) : Li Qian et al.

Page 1 of 1

It is certified that error appears in the above-identified patent and that said Letters Patent is hereby corrected as shown below:

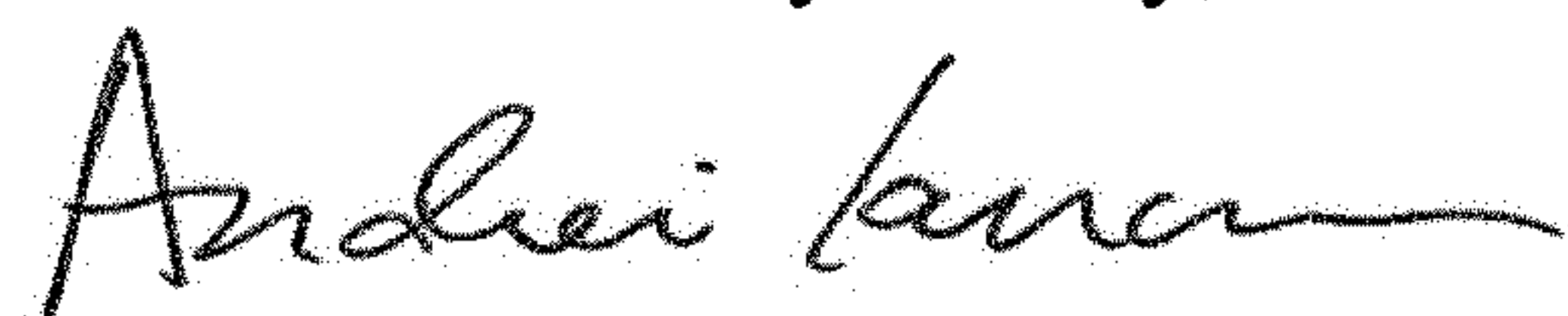
On the Title Page

Please replace item (73) regarding "Assignee" with the following:

(73) Assignees: Tsinghua University, Beijing (CN)

HON HAI PRECISION INDUSTRY CO., LTD., New Taipei (TW)

Signed and Sealed this  
Fourteenth Day of July, 2020



Andrei Iancu  
*Director of the United States Patent and Trademark Office*