



US00D878224S

(12) **United States Design Patent**
Hale

(10) **Patent No.:** **US D878,224 S**

(45) **Date of Patent:** **** Mar. 17, 2020**

(54) **TRUE FORM SPUR GAUGE**

(71) Applicant: **True Form, LLC**, Northern Cambria, PA (US)

(72) Inventor: **David J. Hale**, Jersey Shore, PA (US)

(73) Assignee: **TRUE FORM, LLC**, Northern Cambria, PA (US)

(**) Term: **15 Years**

(21) Appl. No.: **29/669,123**

(22) Filed: **Nov. 6, 2018**

(51) **LOC (12) Cl.** **10-04**

(52) **U.S. Cl.**
USPC **D10/64; D10/71**

(58) **Field of Classification Search**
USPC D10/64, 65, 71
CPC G01B 5/02; G01B 3/04; A01K 29/00
See application file for complete search history.

(56) **References Cited**

U.S. PATENT DOCUMENTS

D185,921 S * 8/1959 Draper D10/71
6,263,585 B1 7/2001 Dickinson et al.

6,647,635 B1 11/2003 Banfield
9,593,929 B2 * 3/2017 Shirley G01B 5/02
2006/0119095 A1 6/2006 Heffernon

* cited by examiner

Primary Examiner — Antoine Duval Davis

(74) *Attorney, Agent, or Firm* — David G. Oberdick

(57) **CLAIM**

The ornamental design for the true form spur gauge, as shown and described.

DESCRIPTION

FIG. 1 is a front elevational view of a spur gauge showing my new design.

FIG. 2 is a rear elevational view thereof.

FIG. 3 is a front plan view thereof.

FIG. 4 is a rear plan view thereof.

FIG. 5 is a top plan view thereof.

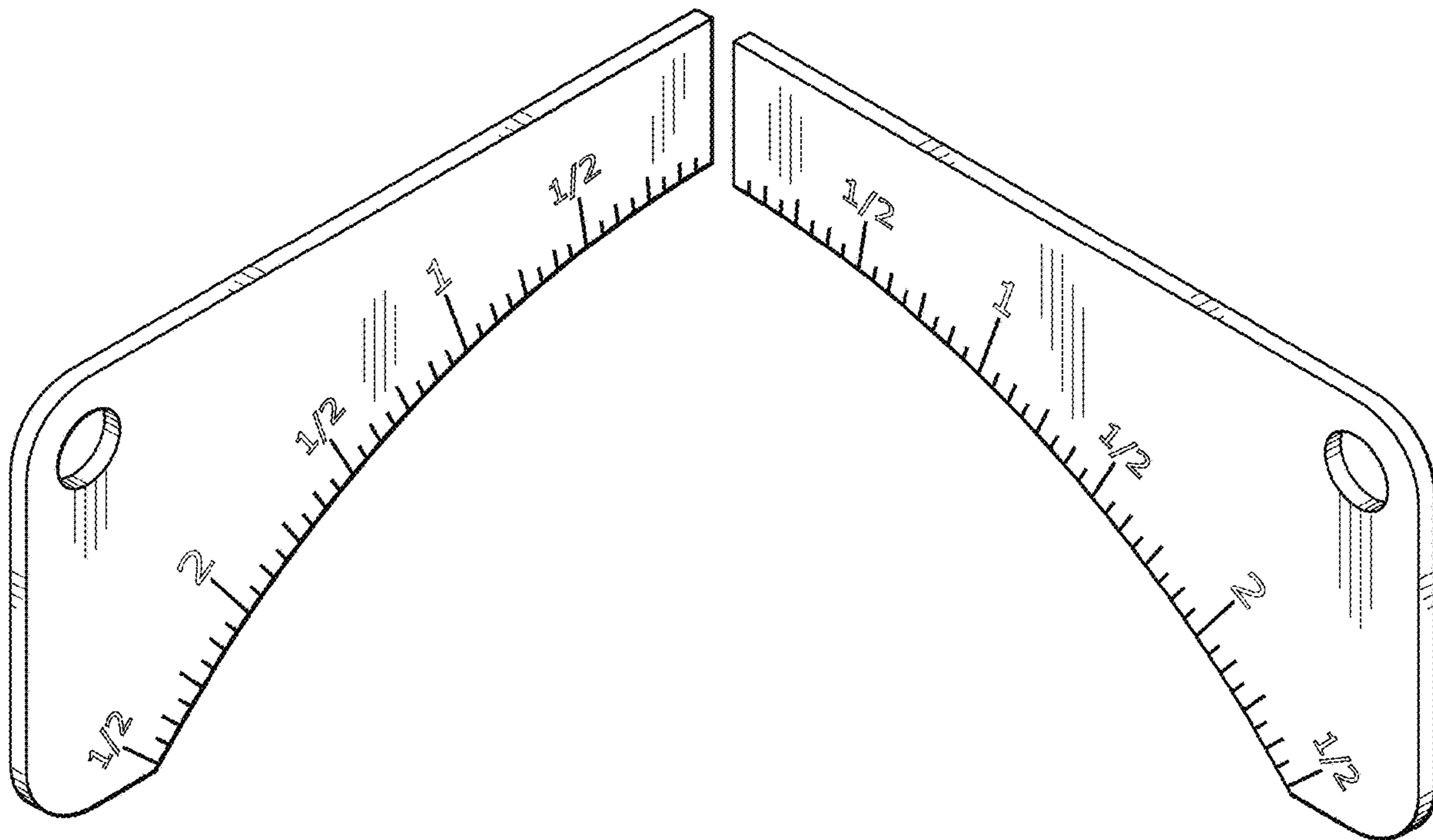
FIG. 6 is a bottom plan view thereof.

FIG. 7 is a left side plan view thereof; and,

FIG. 8 is a right side plan view thereof.

The shade lines are for environmental purposes only and form no part of the claimed design.

1 Claim, 3 Drawing Sheets



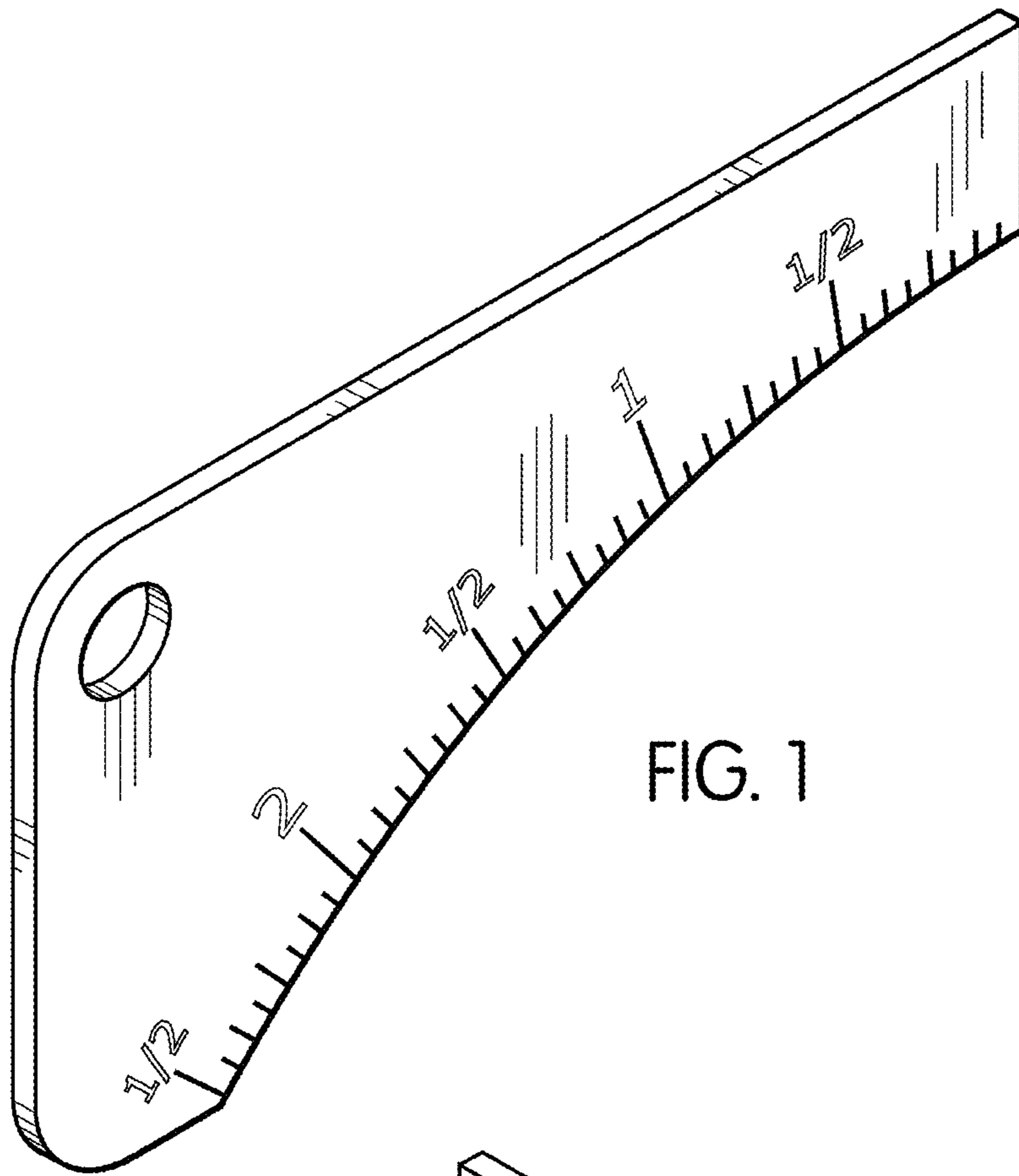


FIG. 1

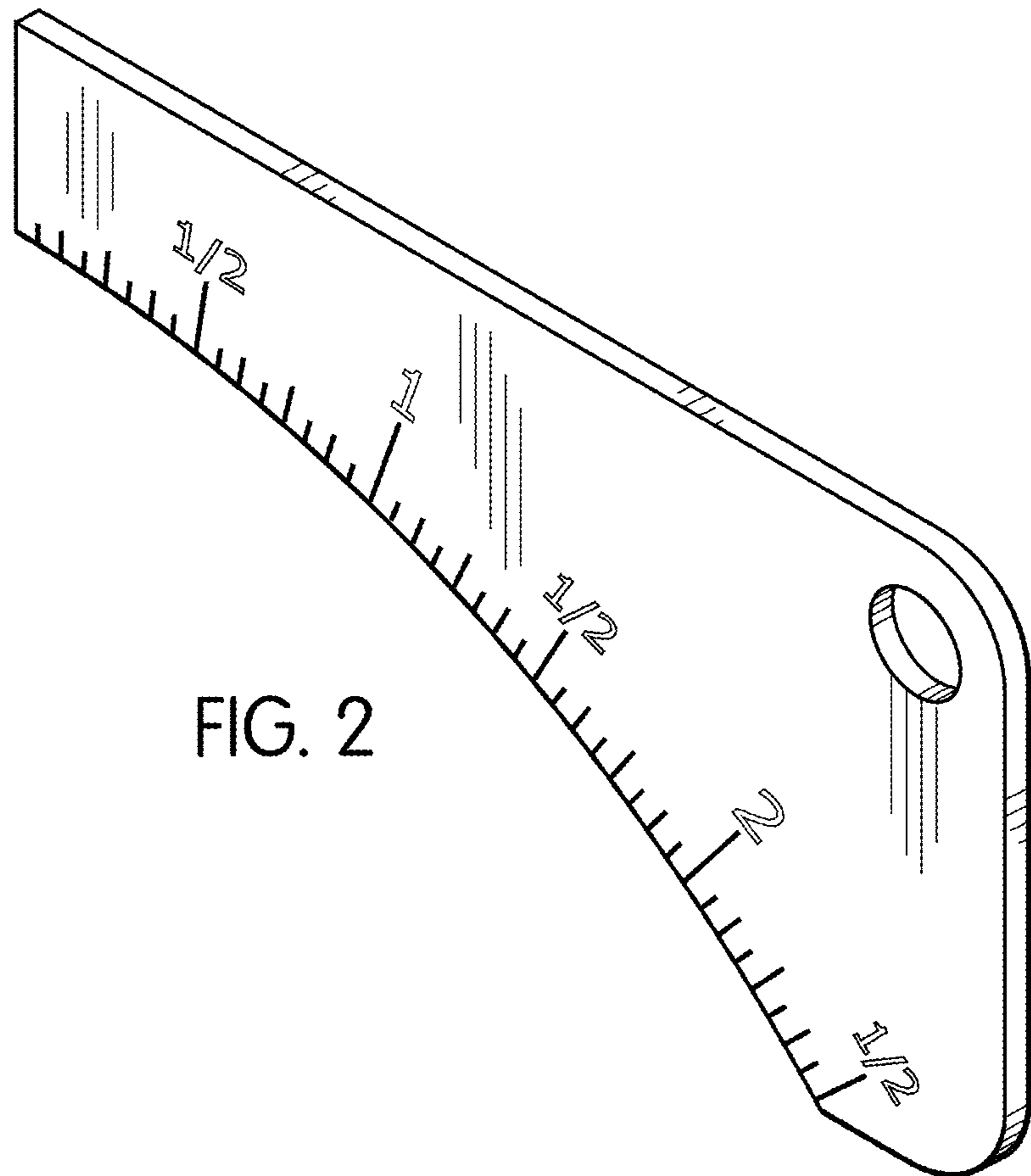


FIG. 2

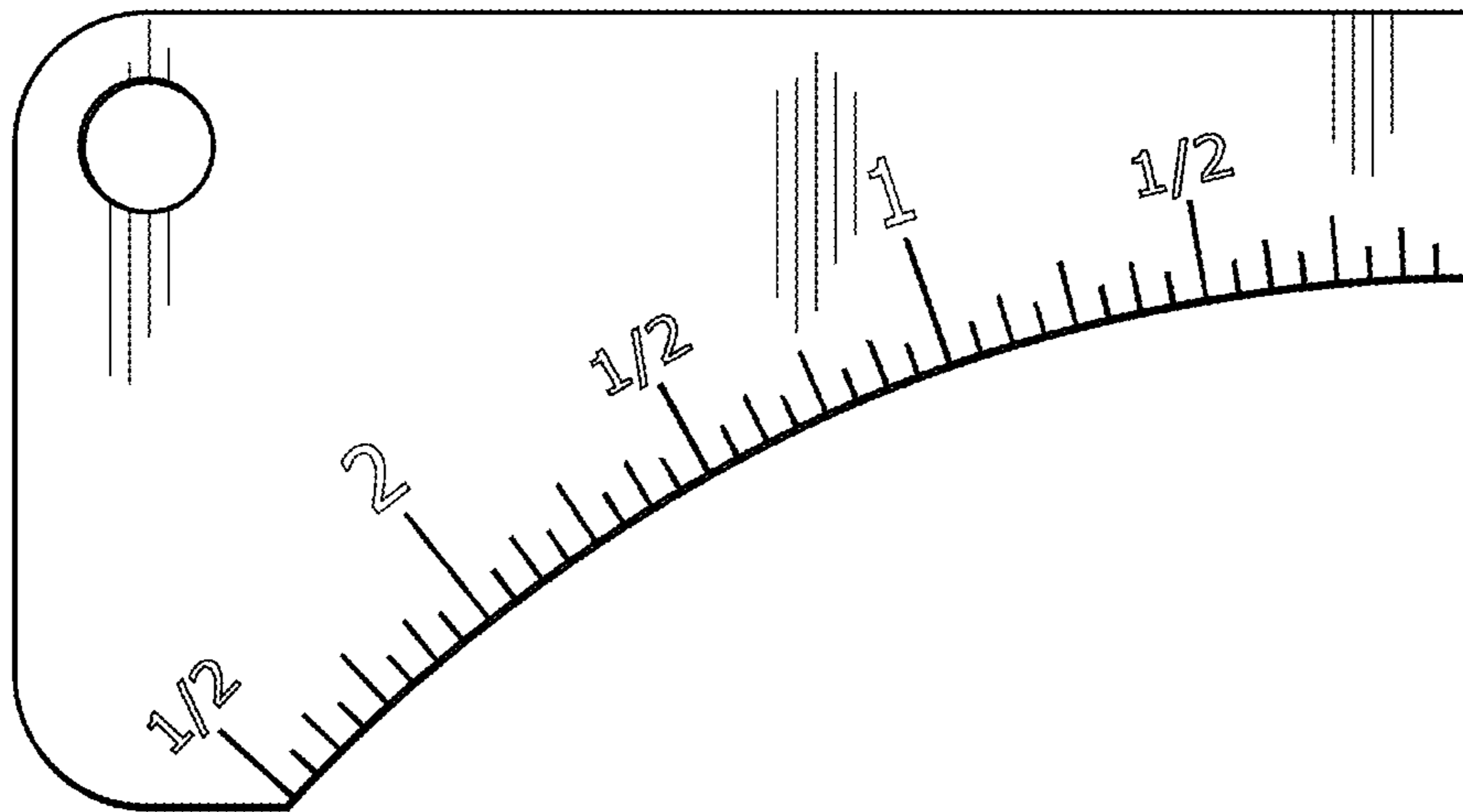


FIG. 3

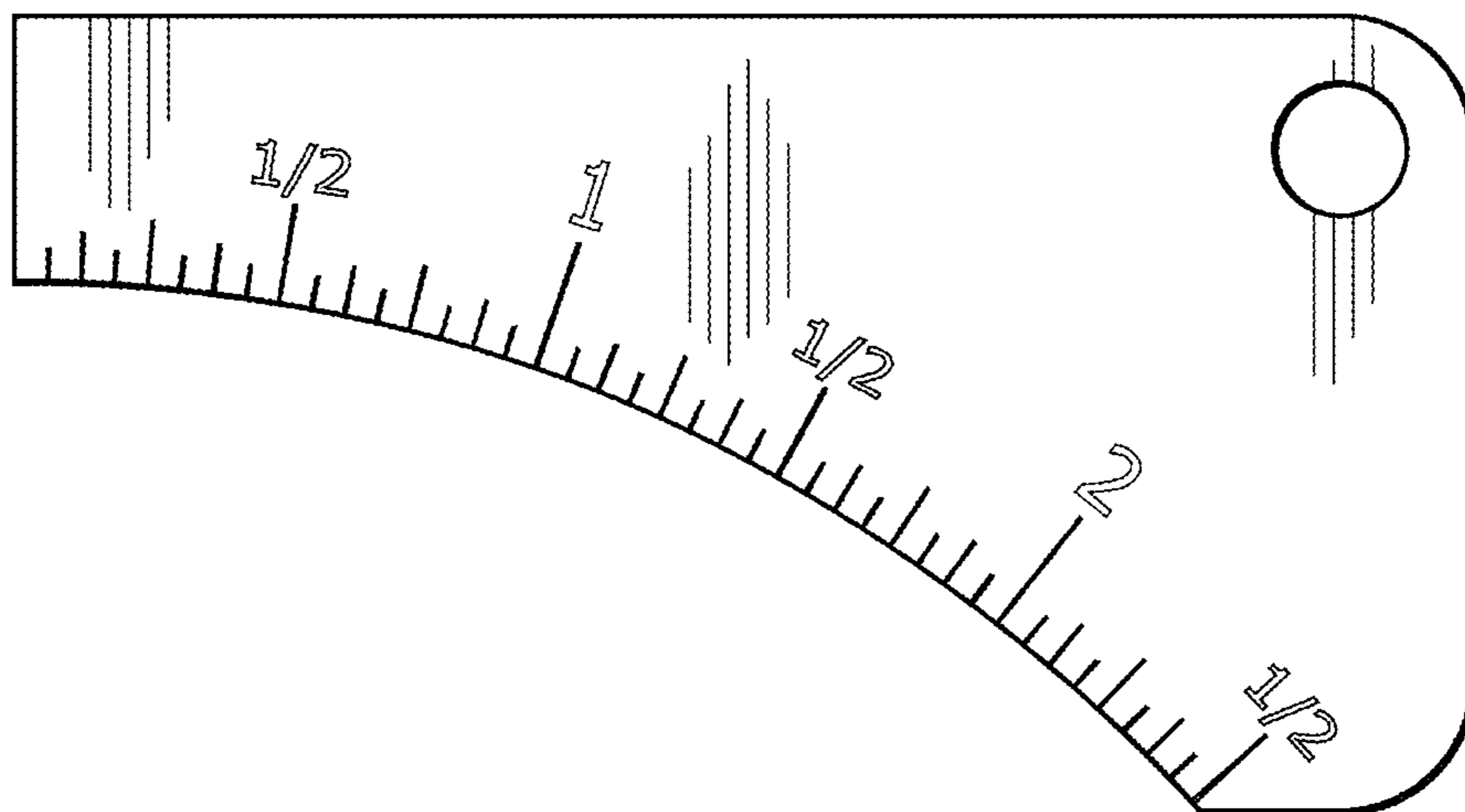


FIG. 4



FIG. 5

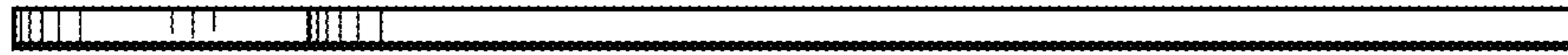


FIG. 6



FIG. 7



FIG. 8