



US00D878223S

(12) **United States Design Patent**  
**Carrière**

(10) **Patent No.:** **US D878,223 S**

(45) **Date of Patent:** **\*\* Mar. 17, 2020**

(54) **THERMOMETER**

D553,024 S \* 10/2007 Reed ..... D10/58

(71) Applicant: **CPA POOL PRODUCTS, INC.**,  
Blainville (CA)

\* cited by examiner

(72) Inventor: **William Carrière**, Pointe-Claire (CA)

*Primary Examiner* — Antoine Duval Davis

(73) Assignee: **CPA POOL PRODUCTS, INC.**,  
Blainville (CA)

(74) *Attorney, Agent, or Firm* — Hodgson Russ LLP

(\*\*) Term: **15 Years**

(57) **CLAIM**

(21) Appl. No.: **29/669,717**

The ornamental design for a thermometer, as shown and described.

(22) Filed: **Nov. 9, 2018**

(51) **LOC (12) Cl.** ..... **10-04**

(52) **U.S. Cl.**  
USPC ..... **D10/57**

**DESCRIPTION**

(58) **Field of Classification Search**  
USPC ..... D10/57, 58, 60  
CPC ..... G01K 1/02; G01K 1/022; G01K 1/024;  
G01K 1/08; G01K 1/14; G01K 1/143;  
G01K 13/00; G01K 2013/026  
See application file for complete search history.

FIG. 1 is a perspective view of a thermometer, showing my new design;

FIG. 2 is a front elevation view thereof;

FIG. 3 is a rear elevation view thereof;

FIG. 4 is a right side elevation view thereof

FIG. 5 is a left side elevation view thereof;

FIG. 6 a top plan view thereof; and,

FIG. 7 is a bottom plan view thereof.

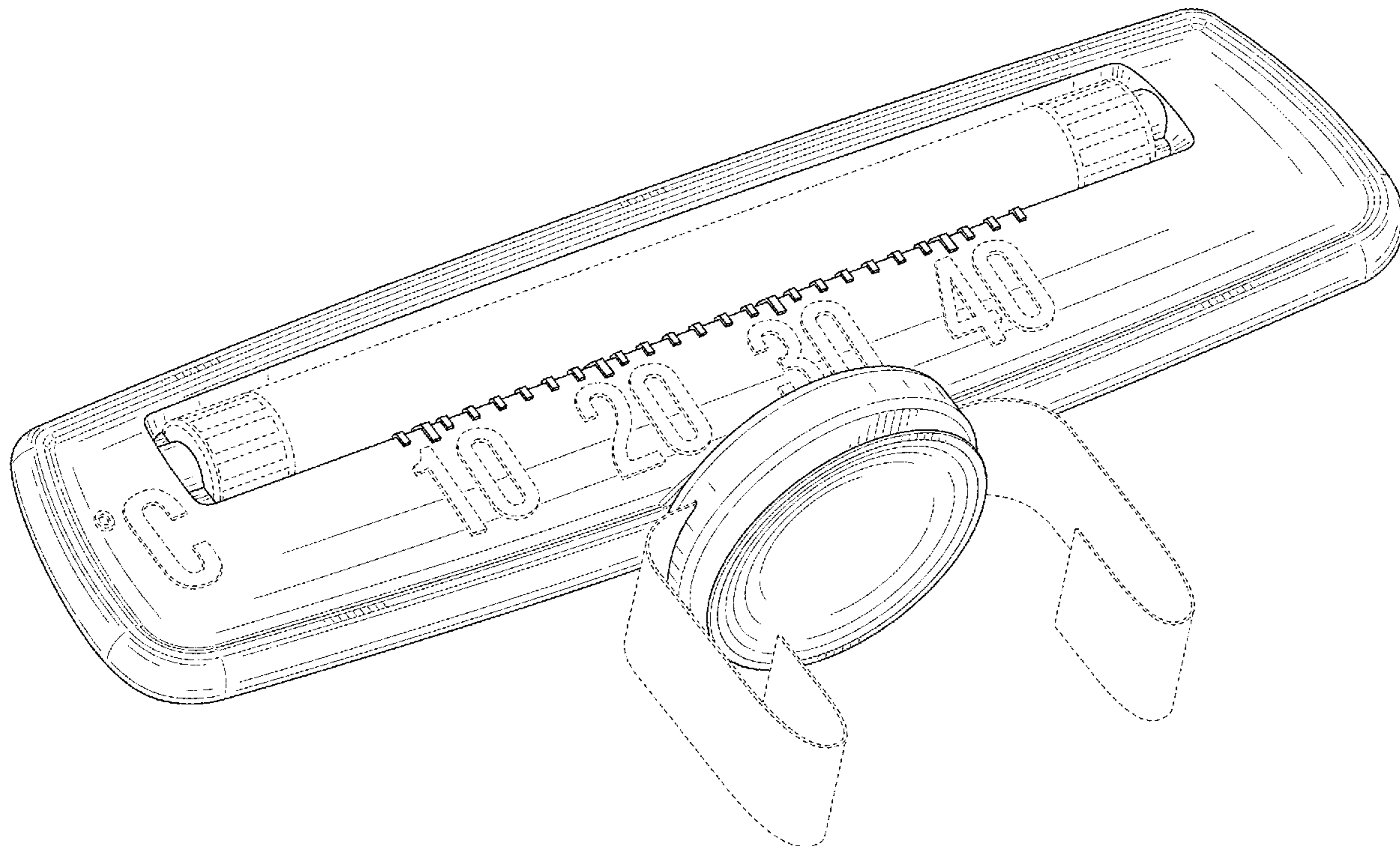
The broken lines in the figures illustrate portions of the thermometer that form no part of the claimed design.

(56) **References Cited**

**U.S. PATENT DOCUMENTS**

D229,343 S \* 11/1973 Shanklin ..... D10/58  
D402,573 S \* 12/1998 Chen ..... D10/58

**1 Claim, 5 Drawing Sheets**



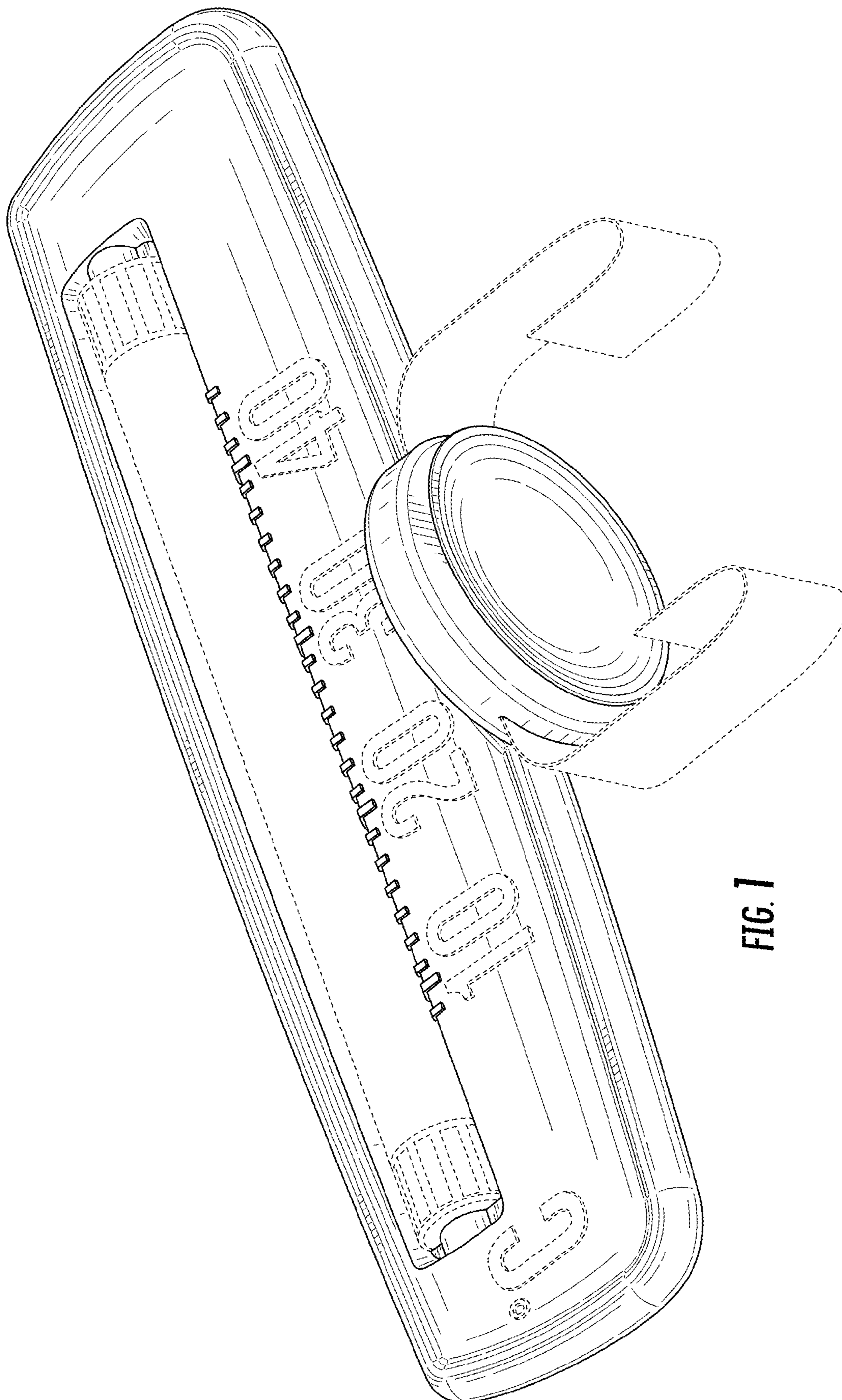


FIG. 1



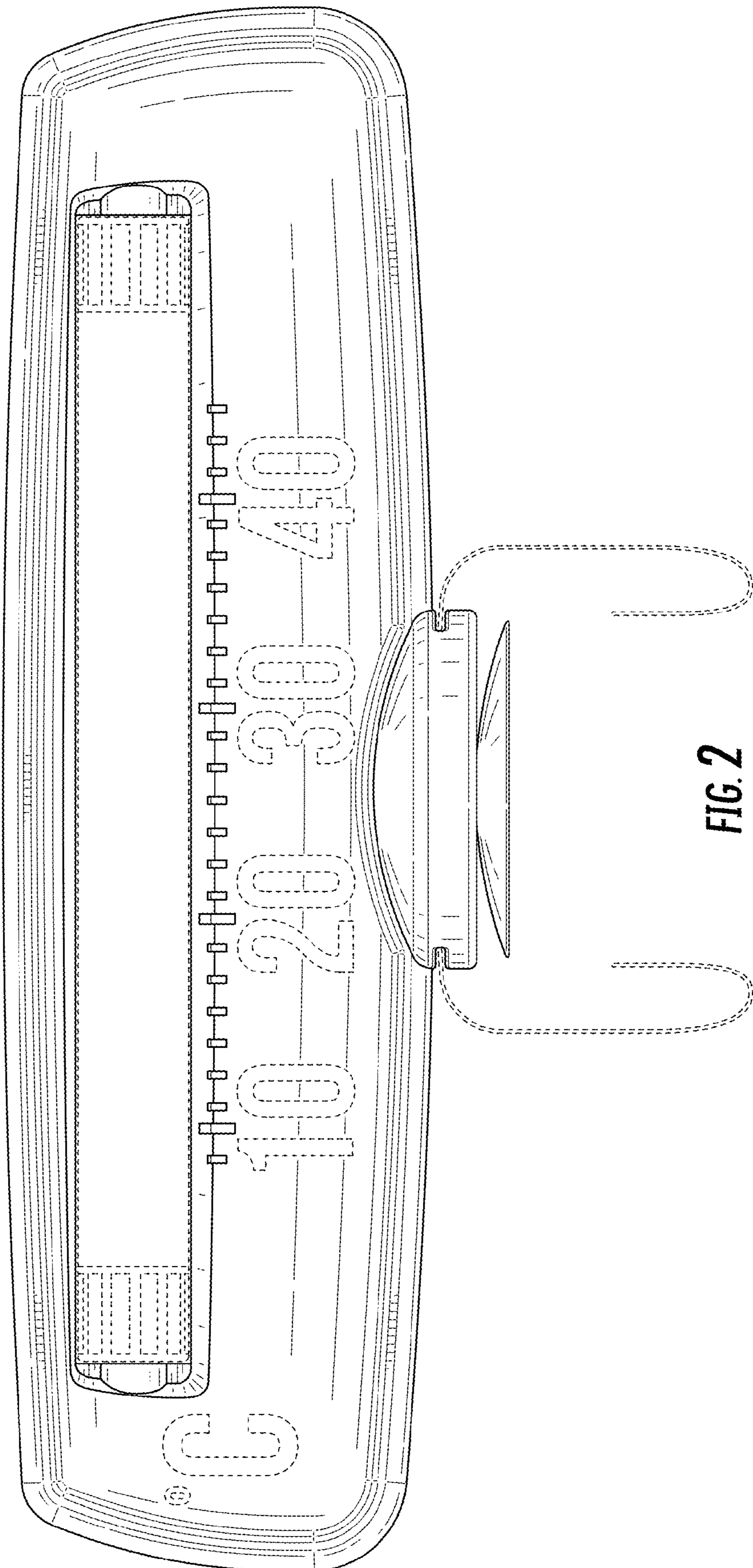


FIG. 2

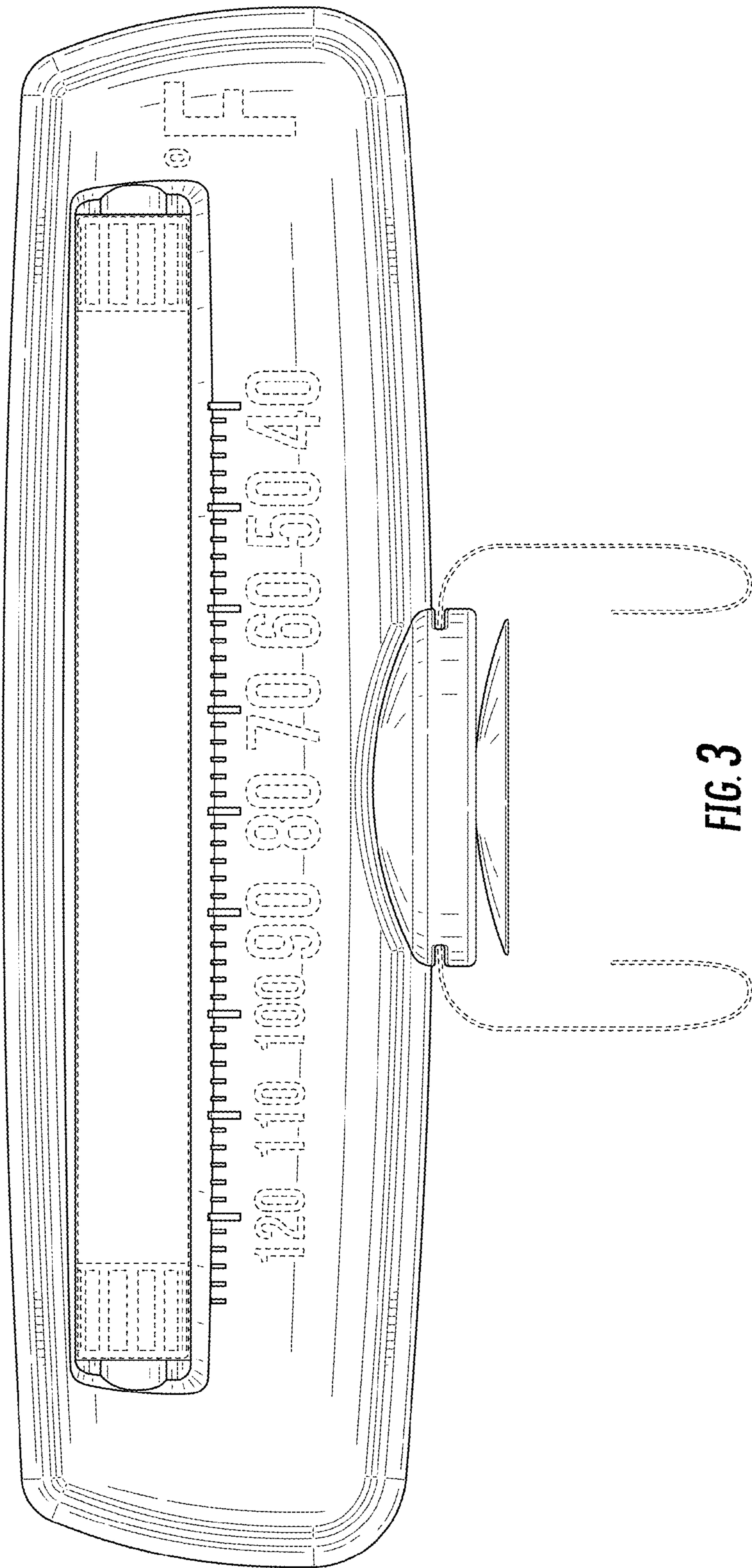
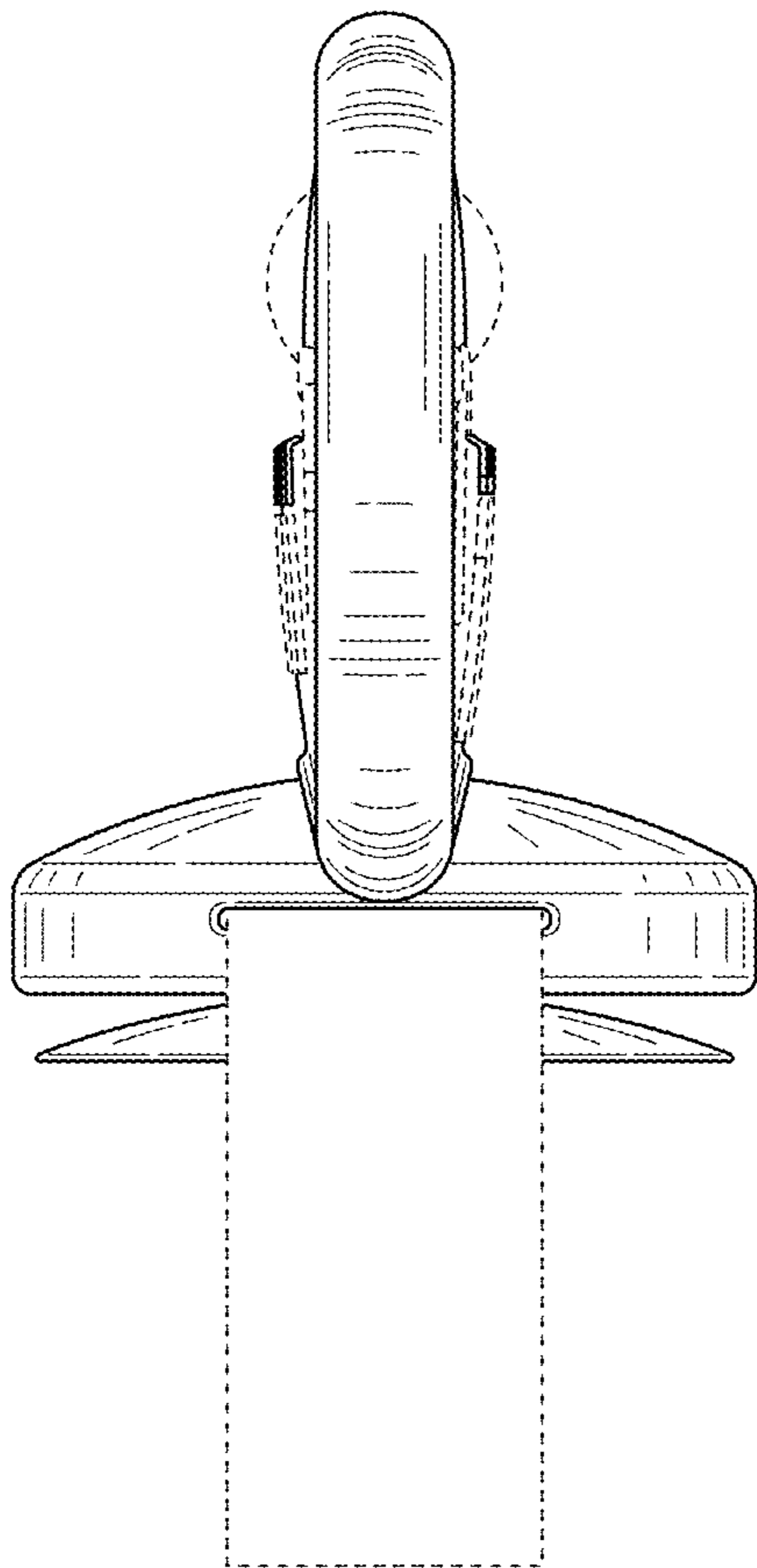
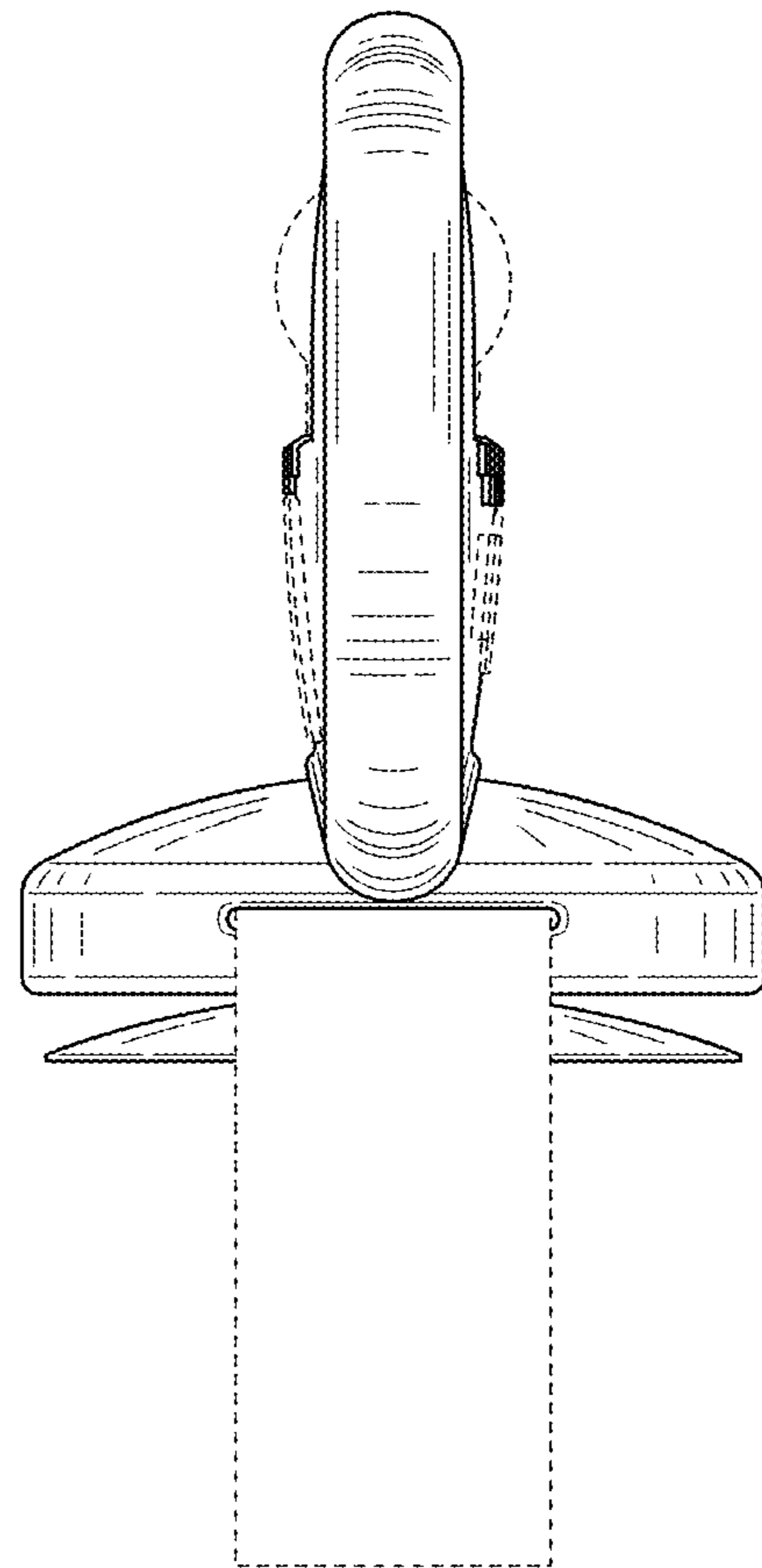


FIG. 3



**FIG. 4**



**FIG. 5**

