



US00D878221S

(12) **United States Design Patent**  
**Sharp et al.**

(10) **Patent No.:** **US D878,221 S**  
(45) **Date of Patent:** **\*\* Mar. 17, 2020**

- (54) **IRRIGATION TAP TIMER**
- (71) Applicant: **Hunter Industries, Inc.**, San Marcos, CA (US)
- (72) Inventors: **Stephen A. Sharp**, San Diego, CA (US); **Thomas E. Veloskey**, San Marcos, CA (US)
- (73) Assignee: **HUNTER INDUSTRIES, INC.**, San Marcos, CA (US)
- (\*\*) Term: **15 Years**
- (21) Appl. No.: **29/642,288**
- (22) Filed: **Mar. 28, 2018**
- (51) **LOC (12) Cl.** ..... **10-03**
- (52) **U.S. Cl.**  
USPC ..... **D10/41**
- (58) **Field of Classification Search**  
USPC ..... D10/1-2, 30-39, 40-41, 104.2, 106.94, D10/114.1-114.9, 116.1, 120-121; D14/344; D24/167, 186  
CPC . H04R 1/00; H04R 1/30; H04R 1/023; G10K 9/12; G10K 9/22; G10K 9/04; G04F 1/00; G04F 1/005; G04F 3/00; G04F 5/00  
See application file for complete search history.

- D714,663 S \* 10/2014 Chandran ..... D10/40
- D722,895 S \* 2/2015 Chandran ..... D10/40
- D770,309 S \* 11/2016 Edwards ..... D10/40
- 9,577,415 B1 \* 2/2017 Veloskey ..... H02G 3/14
- 9,581,264 B1 \* 2/2017 Ericksen ..... A01G 25/16

\* cited by examiner

*Primary Examiner* — Sandra S Snapp

*Assistant Examiner* — Katherine Glennon

(74) *Attorney, Agent, or Firm* — Knobbe, Martens, Olson & Bear, LLP

(57) **CLAIM**

The ornamental design for an irrigation tap timer, as shown and described.

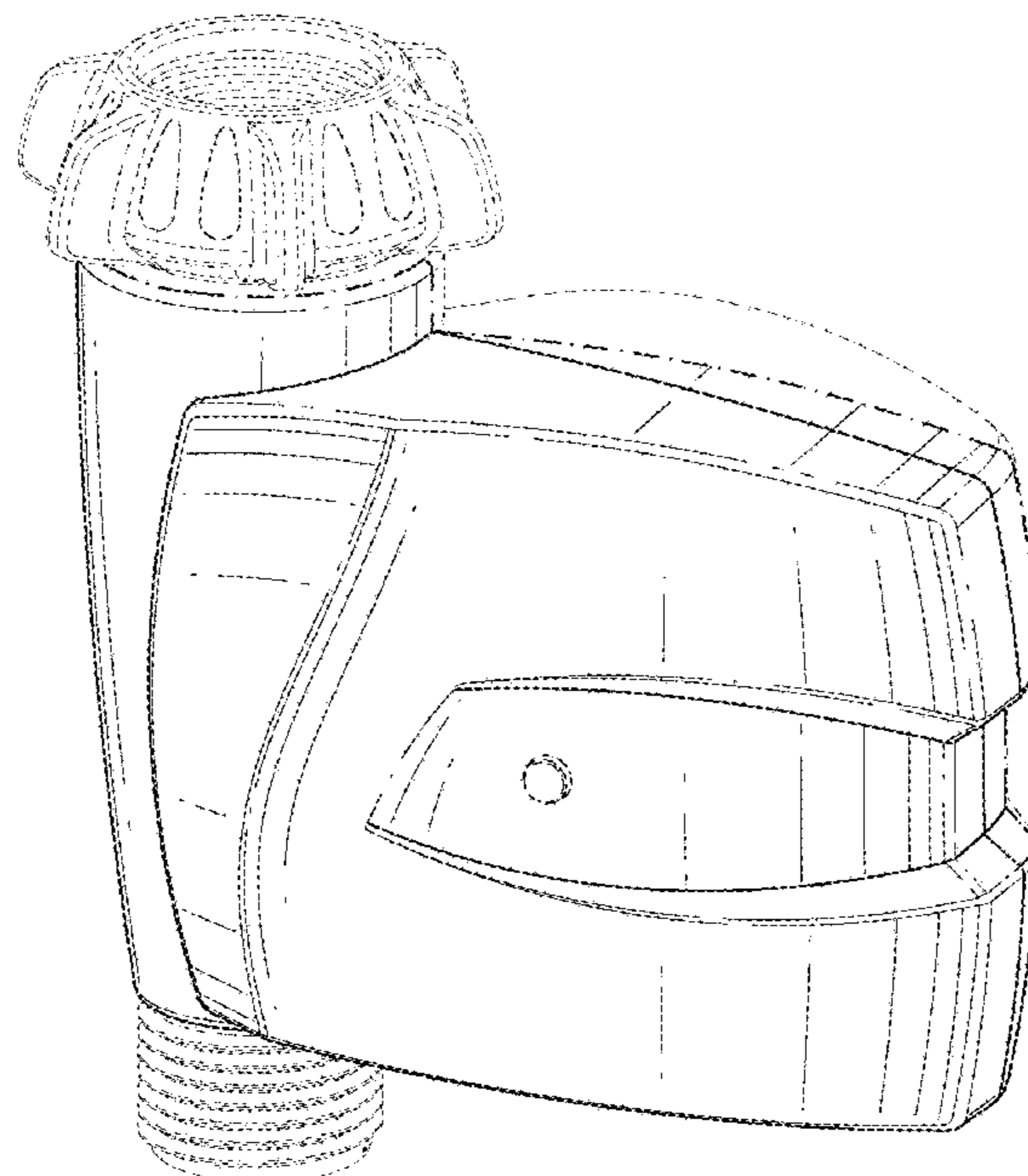
**DESCRIPTION**

- FIG. 1 illustrates a top, front, and right side perspective view of an irrigation tap timer embodying a new design.
- FIG. 2 illustrates a bottom, back, and right side perspective view of the irrigation tap timer of FIG. 1.
- FIG. 3 illustrates a front view of the irrigation tap timer of FIG. 1.
- FIG. 4 illustrates a back view of the irrigation tap timer of FIG. 1.
- FIG. 5 illustrates a right side view of the irrigation tap timer of FIG. 1.
- FIG. 6 illustrates a left side view of the irrigation tap timer of FIG. 1.
- FIG. 7 illustrates a top view of the irrigation tap timer of FIG. 1; and,
- FIG. 8 illustrates a bottom view of the irrigation tap timer of FIG. 1.

Broken lines are used to illustrate features of the irrigation tap timer, which form no part of the claimed design. Dot-dash lines are used to illustrate boundary lines and form no part of the claimed design.

**1 Claim, 7 Drawing Sheets**

- (56) **References Cited**  
U.S. PATENT DOCUMENTS
- D377,316 S \* 1/1997 Roman ..... D10/40
- D431,195 S \* 9/2000 Clivio ..... D10/40
- D451,412 S \* 12/2001 Jacobs ..... D10/40
- D567,681 S \* 4/2008 Michael ..... D10/40
- D642,077 S \* 7/2011 Nies ..... D10/40
- D653,219 S \* 1/2012 Woytowicz ..... D13/159
- D657,264 S \* 4/2012 Nies ..... D10/40



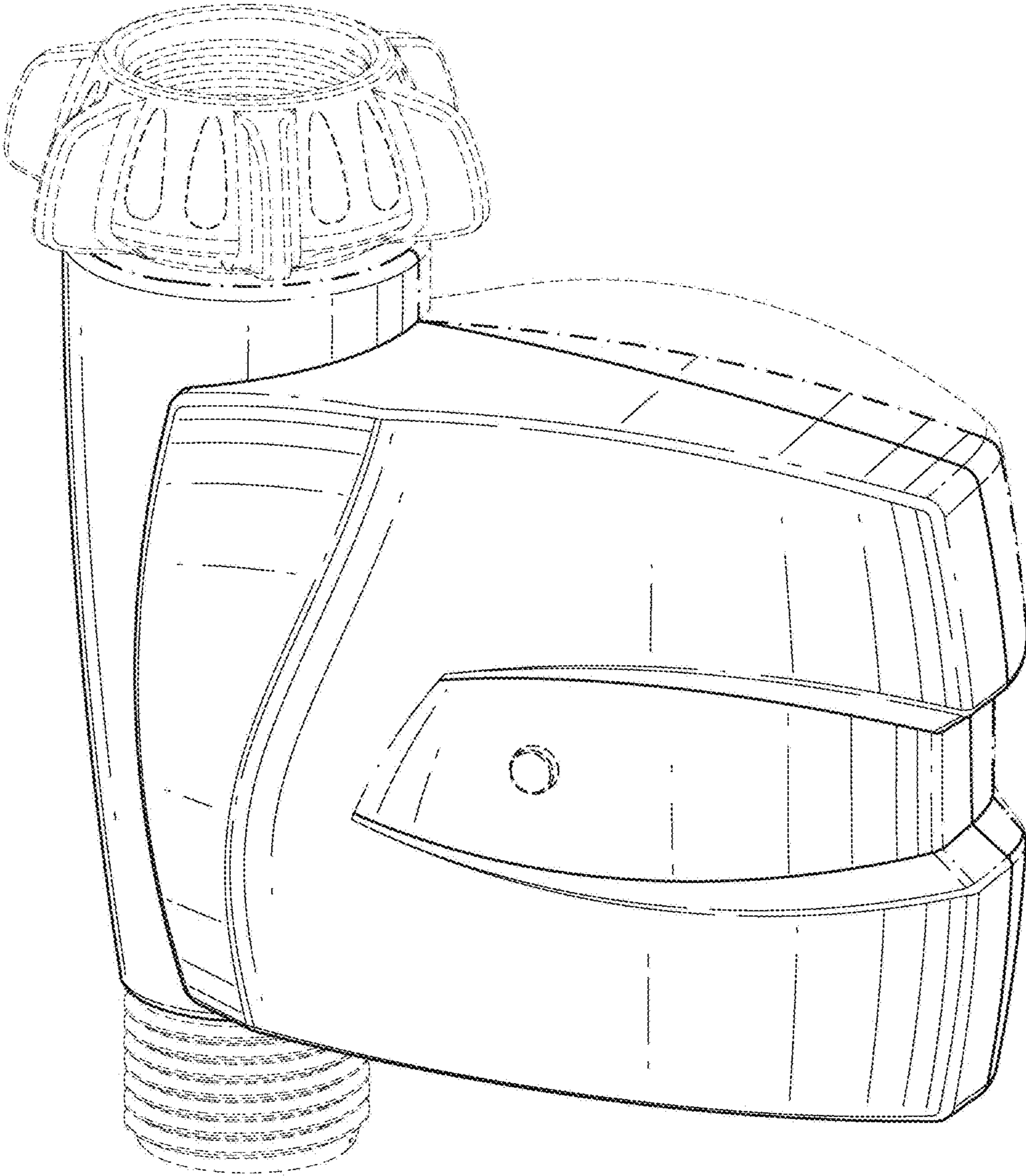


FIG. 1

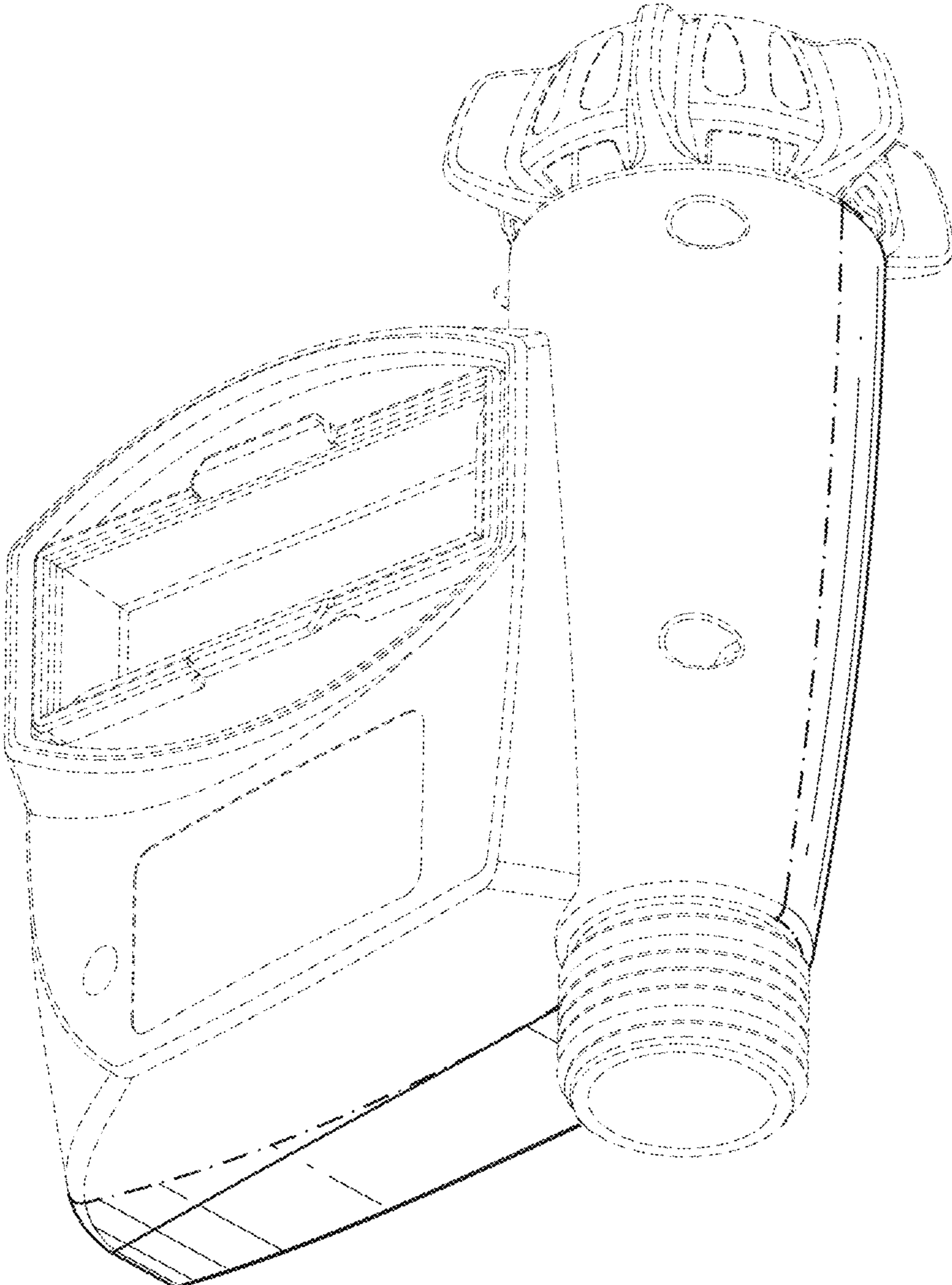


FIG. 2



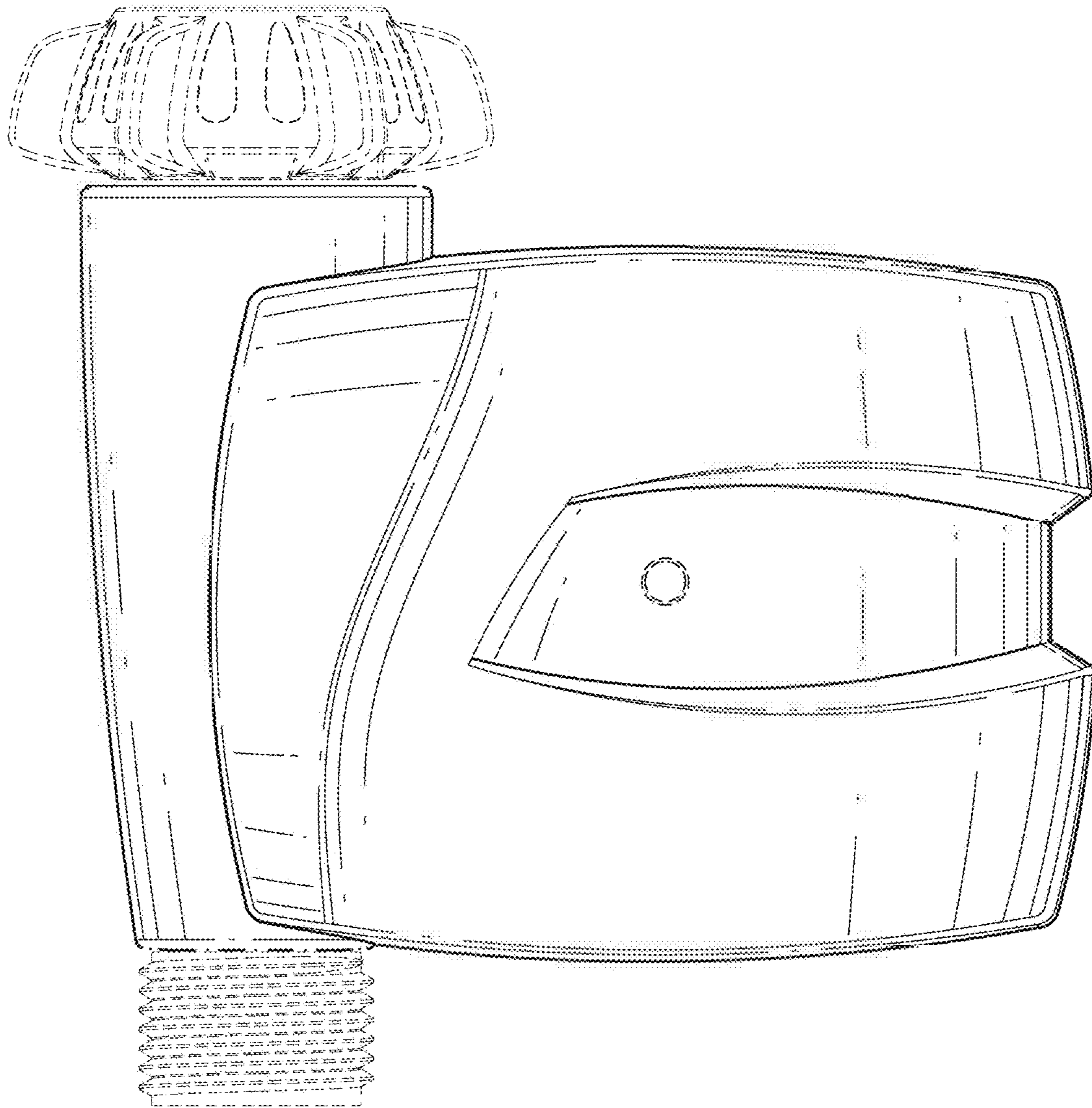


FIG. 3

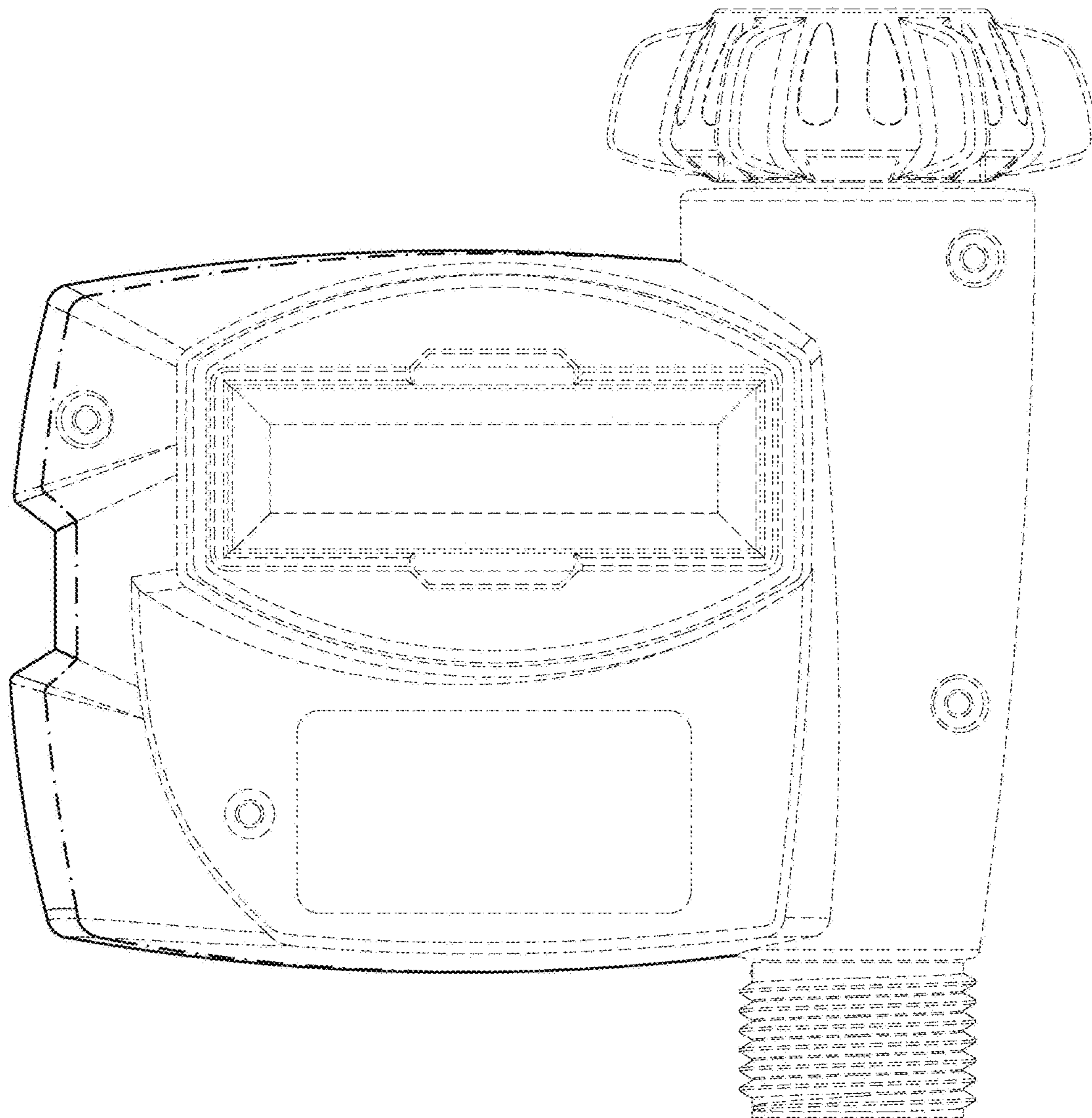


FIG. 4

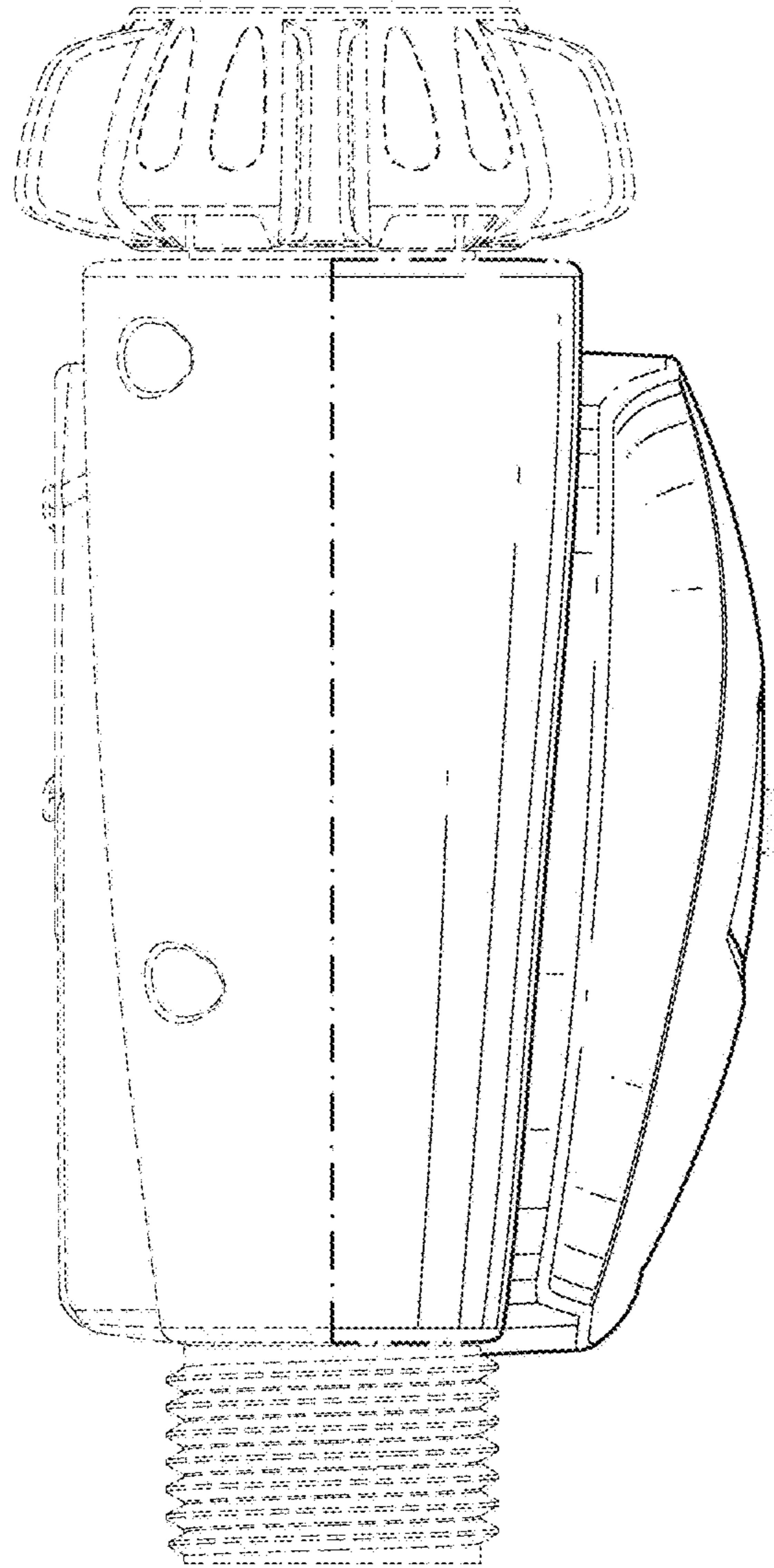


FIG. 5

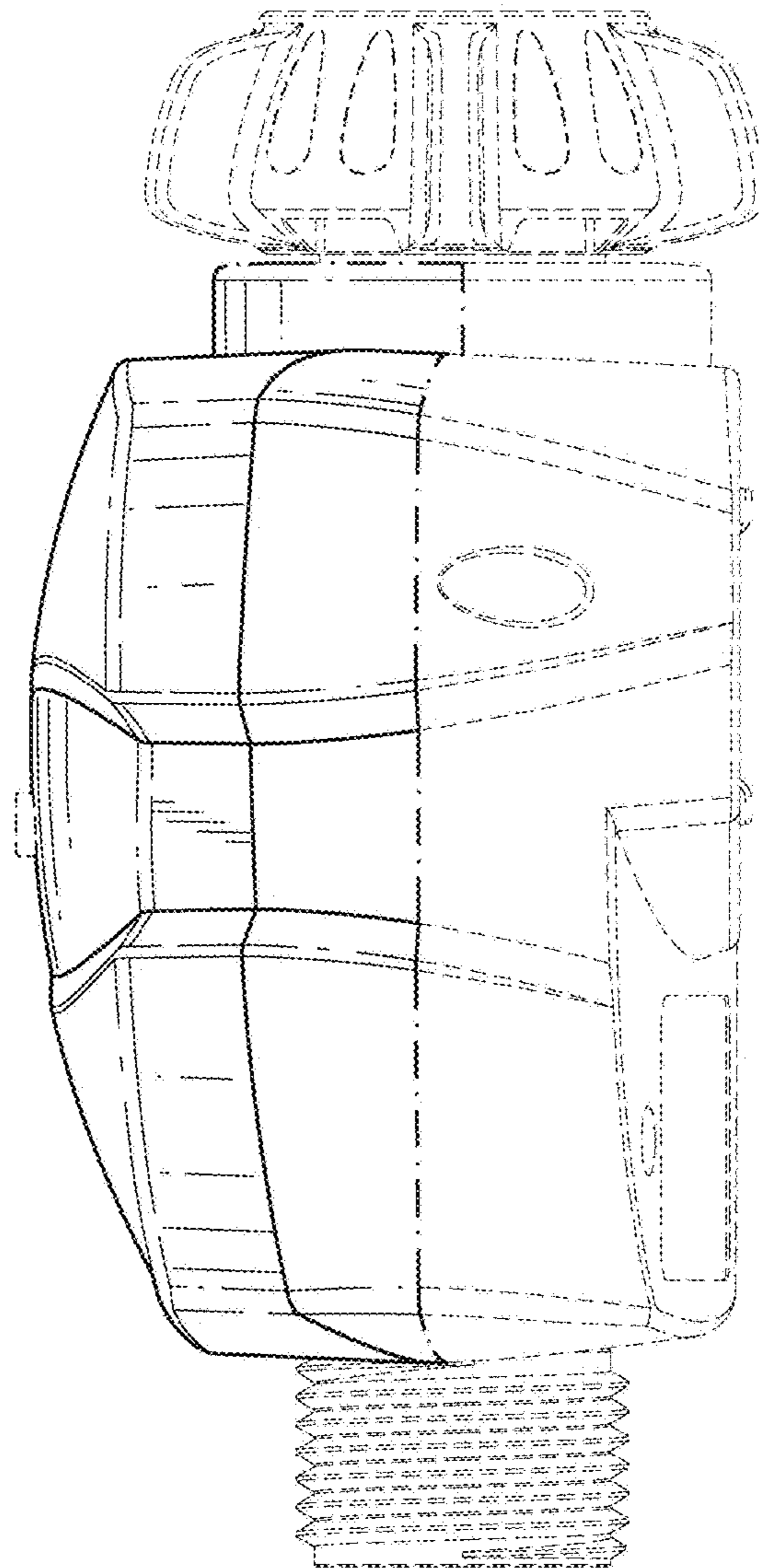


FIG. 6



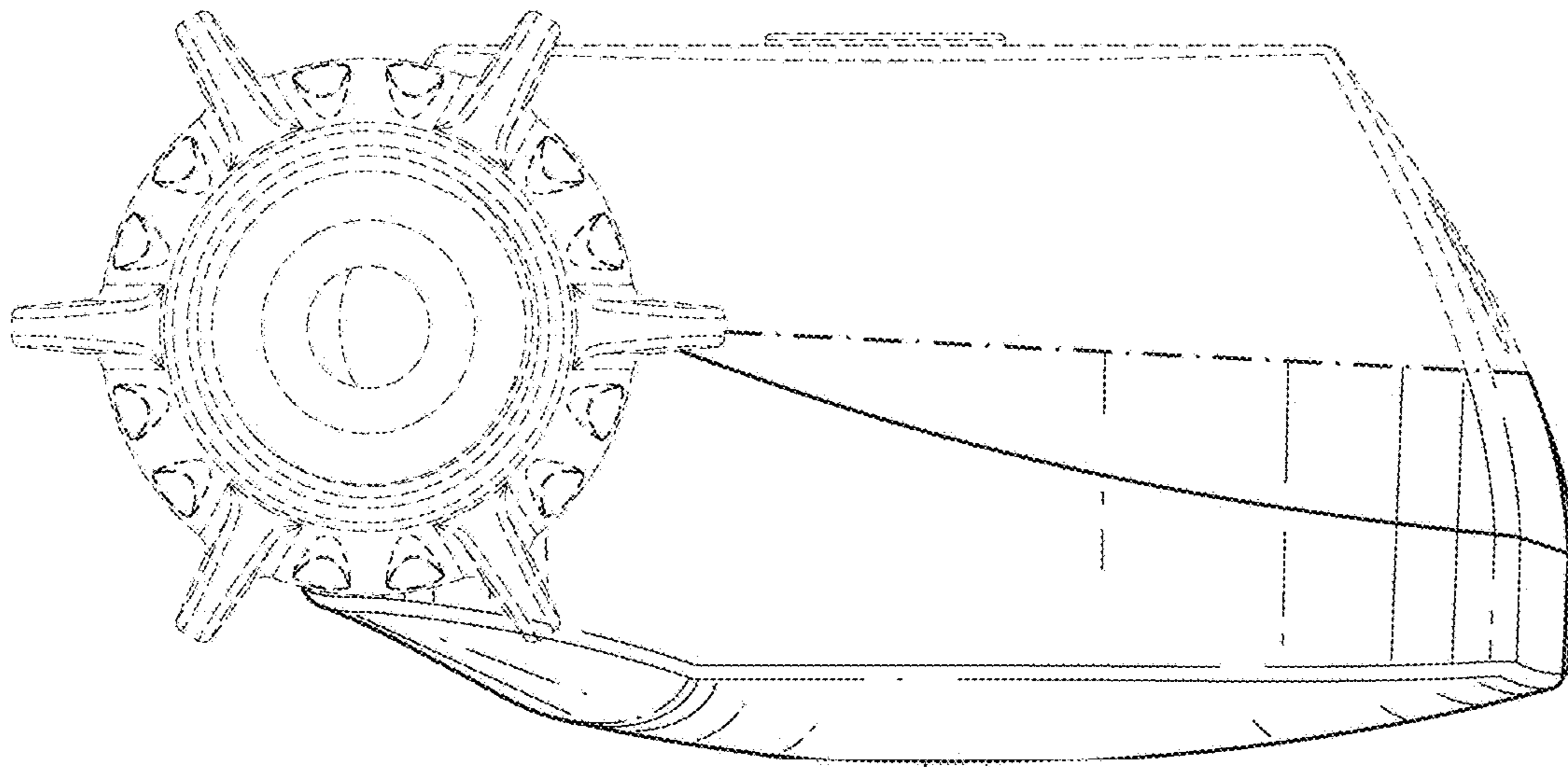


FIG. 7

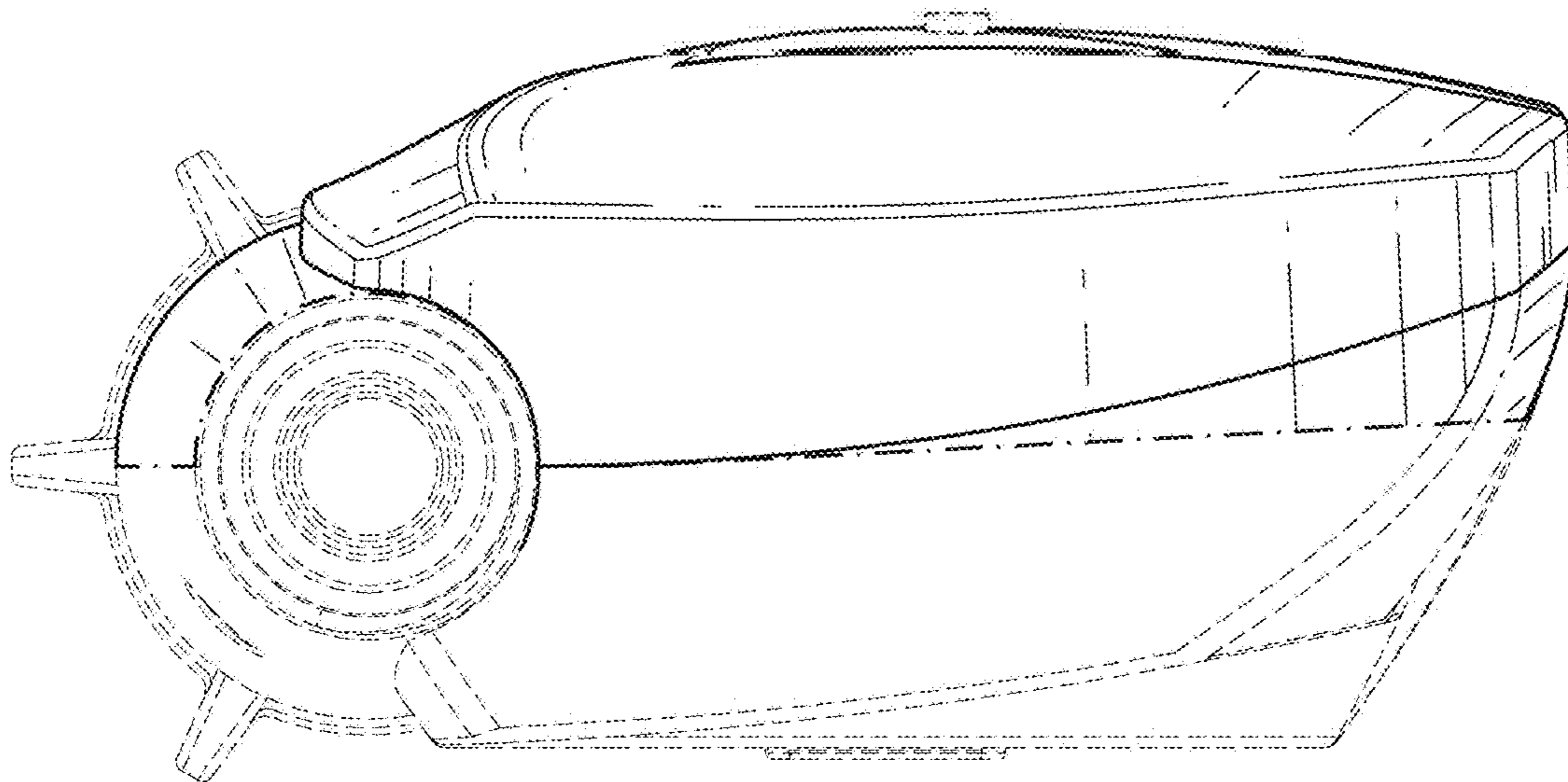


FIG. 8