



US00D878220S

(12) **United States Design Patent**  
**Legeay**

(10) **Patent No.:** **US D878,220 S**  
(45) **Date of Patent:** **\*\* Mar. 17, 2020**

- (54) **WATCH**
- (71) Applicant: **Richemont International SA,**  
Villars-sur-Glane (CH)
- (72) Inventor: **Baptiste Legeay,** Ornex (FR)
- (73) Assignee: **Richemont International SA,**  
Villars-sur-Glane (CH)
- (\*\*) Term: **15 Years**
- (21) Appl. No.: **29/674,559**
- (22) Filed: **Dec. 21, 2018**
- (51) **LOC (12) Cl.** ..... **10-02**
- (52) **U.S. Cl.**  
USPC ..... **D10/39**
- (58) **Field of Classification Search**  
USPC ... D10/1, 30, 31, 32, 33, 34, 35, 36, 37, 38,  
D10/39, 122, 123, 124, 126, 128; D11/3,  
D11/4, 6, 12, 13  
CPC .... G04B 37/00; G04B 37/0008; G04B 37/05;  
G04B 37/081; G04B 37/087; G04B  
19/106; G04B 19/10; G04B 19/12; G04B  
19/14  
See application file for complete search history.

D658,517 S *	5/2012	Behling	.....	D10/39
D732,985 S *	6/2015	Cerrato	.....	D10/39
D746,157 S *	12/2015	Babcock	.....	D10/30
D759,512 S *	6/2016	Belamich	.....	D10/126
D769,762 S *	10/2016	Behling	.....	D10/126
D786,704 S *	5/2017	Behling	.....	D10/38

**FOREIGN PATENT DOCUMENTS**

WO	DM/096387	12/2017
WO	DM/100846	10/2018

**OTHER PUBLICATIONS**

Amazon, Fossil Men's Analog Watch, posted Dec. 13, 2017, [online], [visited Oct. 22, 2019]. Internet, URL: [https://www.amazon.co.uk/Fossil-Analogue-Quartz-Leather-FS5402/dp/B078C9288W/ref=sr\\_1\\_140?keywords=fossil+watch&qid=1571694700&sr=8-140](https://www.amazon.co.uk/Fossil-Analogue-Quartz-Leather-FS5402/dp/B078C9288W/ref=sr_1_140?keywords=fossil+watch&qid=1571694700&sr=8-140) (Year: 2017).\*

\* cited by examiner

*Primary Examiner* — Sheryl Lane  
*Assistant Examiner* — Samantha N Wood  
(74) *Attorney, Agent, or Firm* — Taft Stettinius & Hollister LLP

(57) **CLAIM**

The ornamental design for a watch, as shown and described.

**DESCRIPTION**

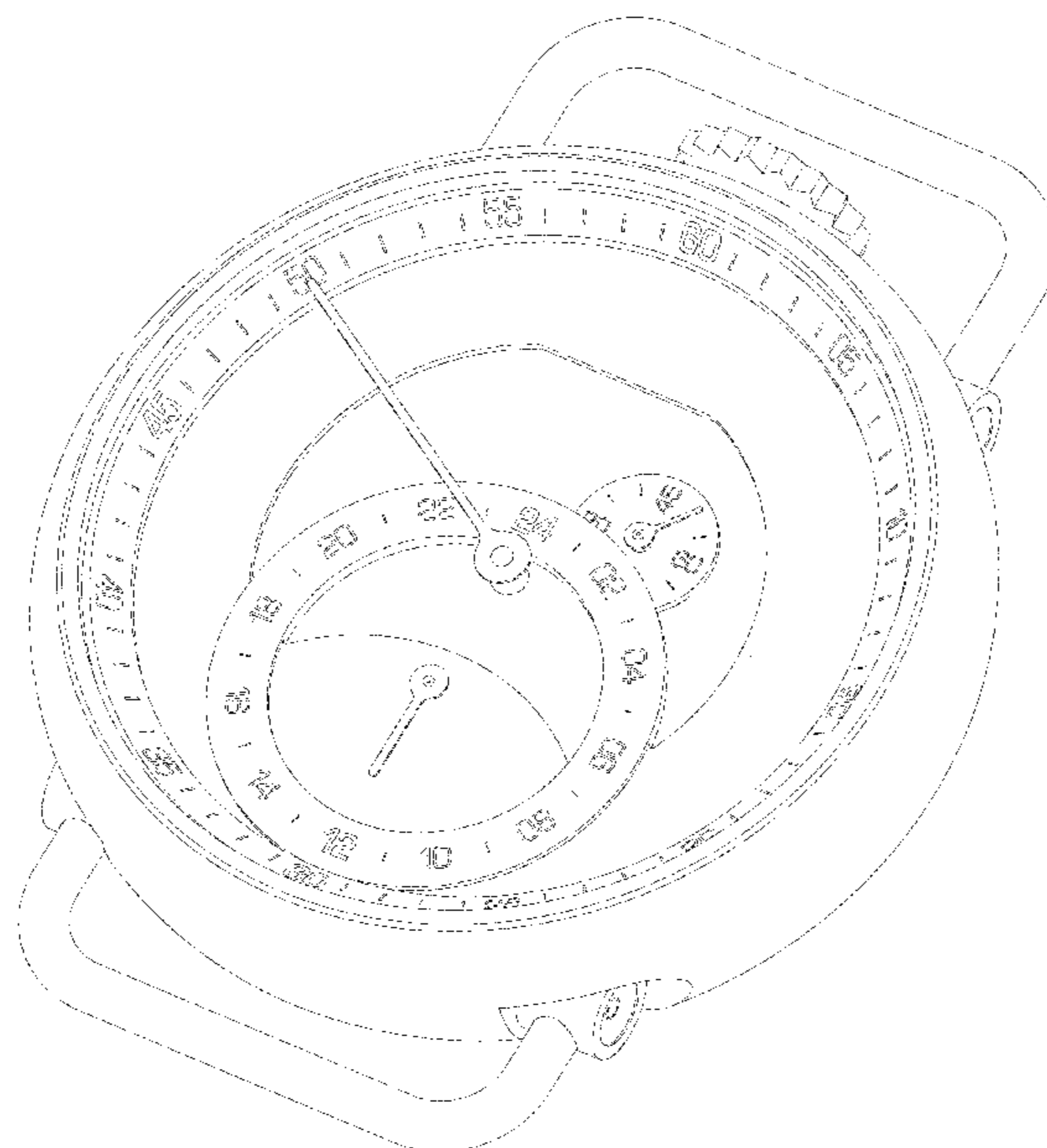
FIG. 1 is a front elevational view of a watch showing my new design;  
FIG. 2 is a back elevational view thereof;  
FIG. 3 is a right side elevational view thereof;  
FIG. 4 is a left side elevational view thereof;  
FIG. 5 is a bottom plan view thereof;  
FIG. 6 is a top plan view thereof;  
FIG. 7 is a front, right side perspective view thereof; and,  
FIG. 8 is a back, left side perspective view thereof.

**1 Claim, 8 Drawing Sheets**

(56) **References Cited**

**U.S. PATENT DOCUMENTS**

D126,622 S *	4/1941	Didisheim	.....	D10/37
D234,579 S *	3/1975	Leslie	.....	D10/37
D360,142 S *	7/1995	Polenberg	.....	D10/30
D437,791 S *	2/2001	Roden	.....	D10/32
D455,662 S *	4/2002	Johnston	.....	D10/32
D471,822 S *	3/2003	Goeckeritz	.....	D10/32
D473,473 S *	4/2003	Wunderman	.....	D10/32
D552,491 S *	10/2007	Vidal	.....	D10/38
D562,705 S *	2/2008	Laucella	.....	D10/37
D605,543 S *	12/2009	Juraschek	.....	D10/124



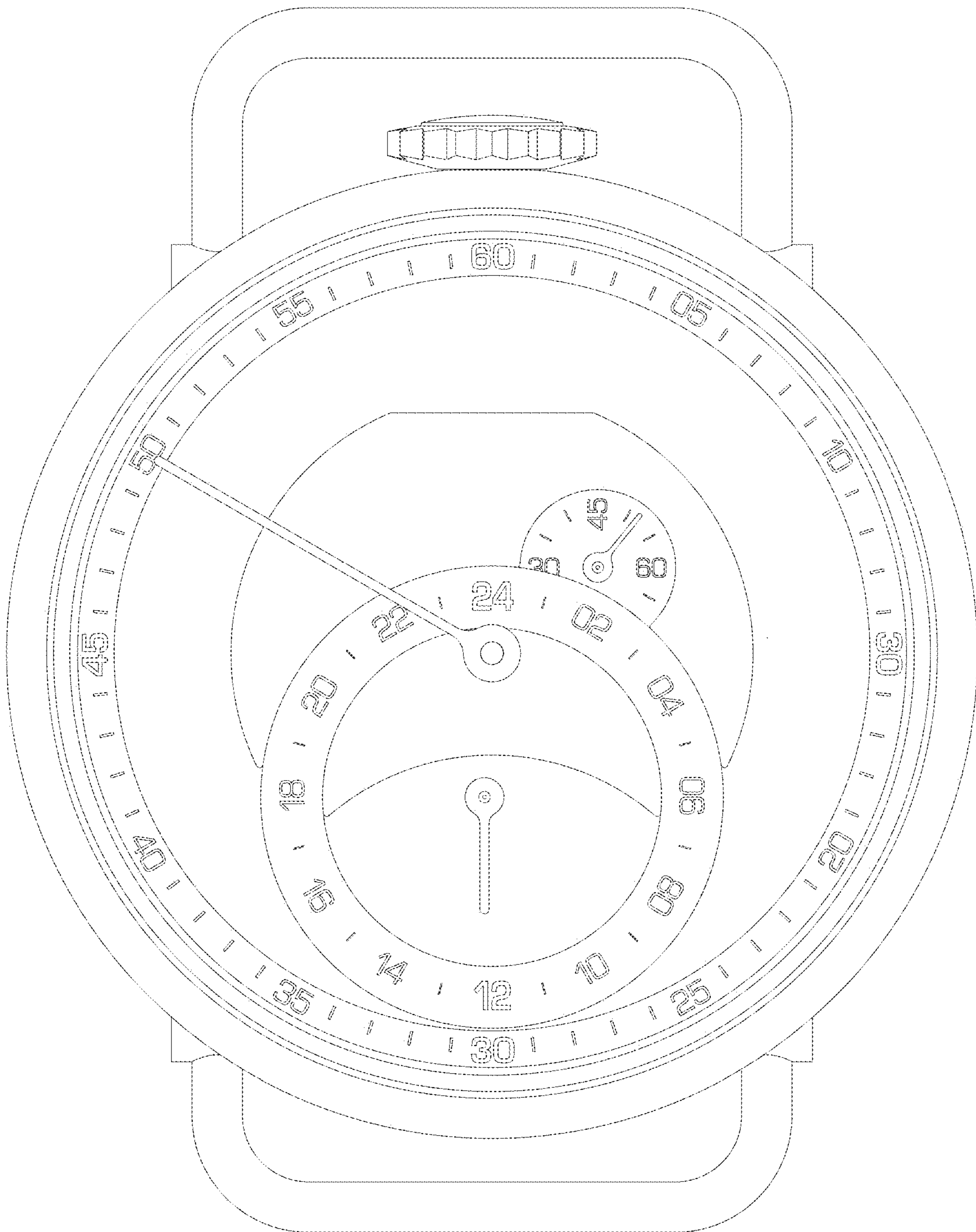


Fig. 1

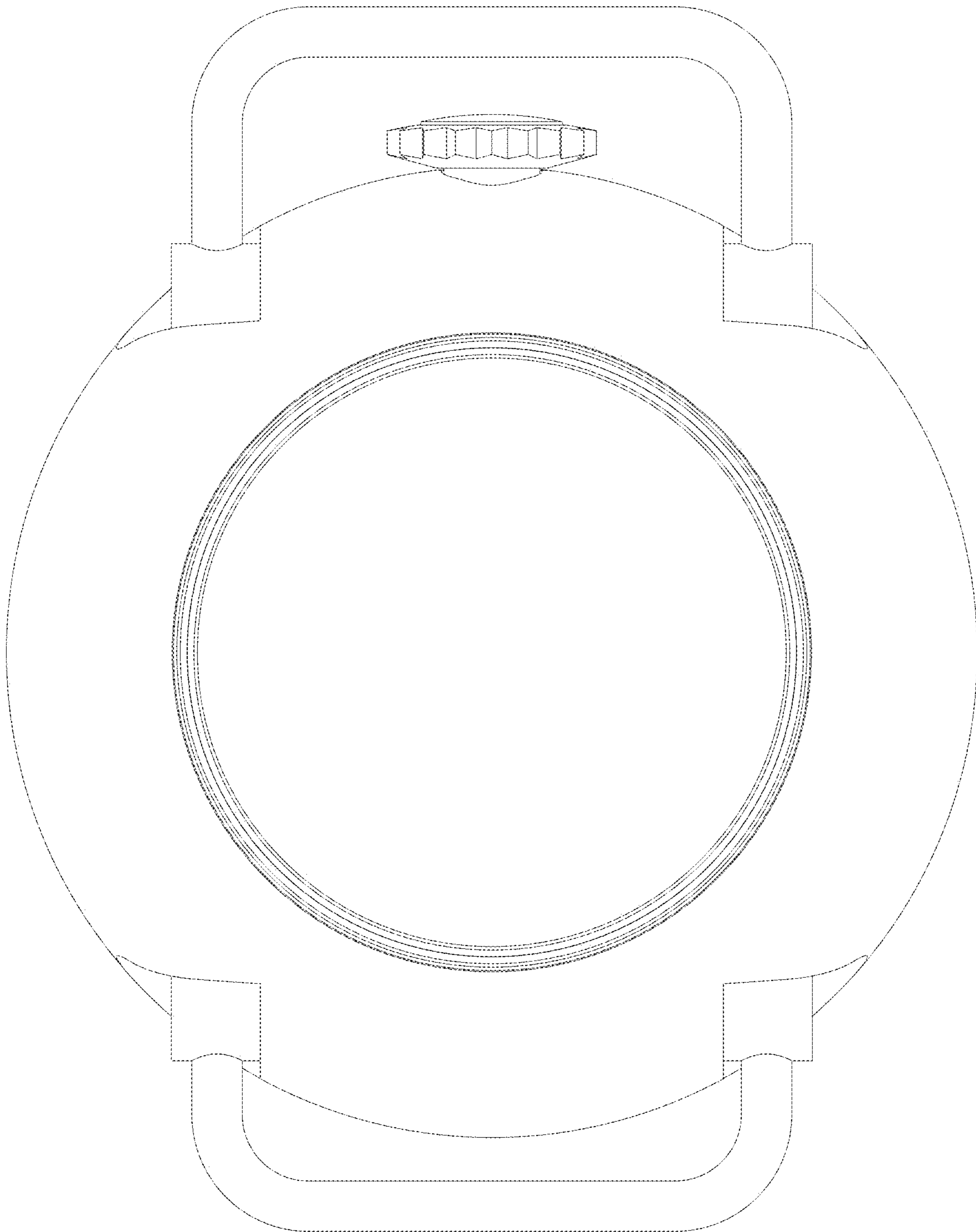


Fig. 2

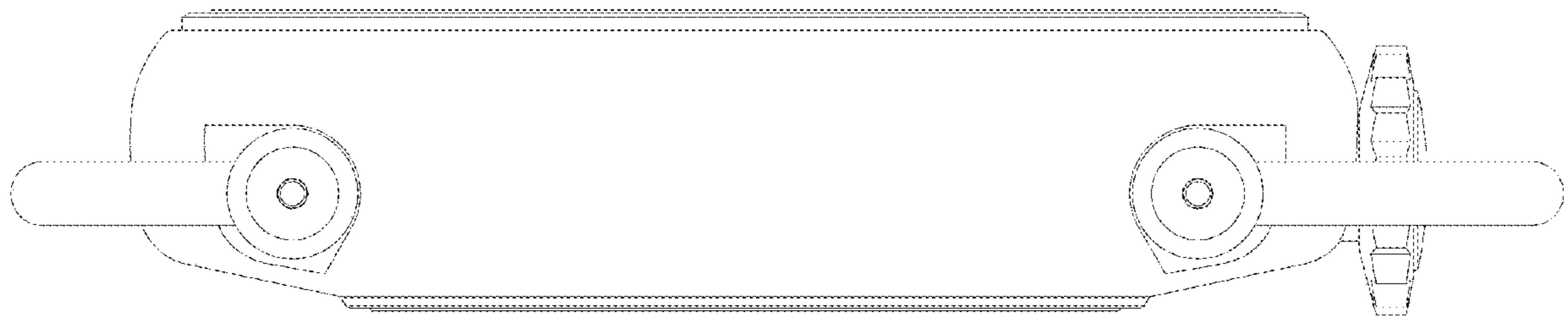


Fig. 3

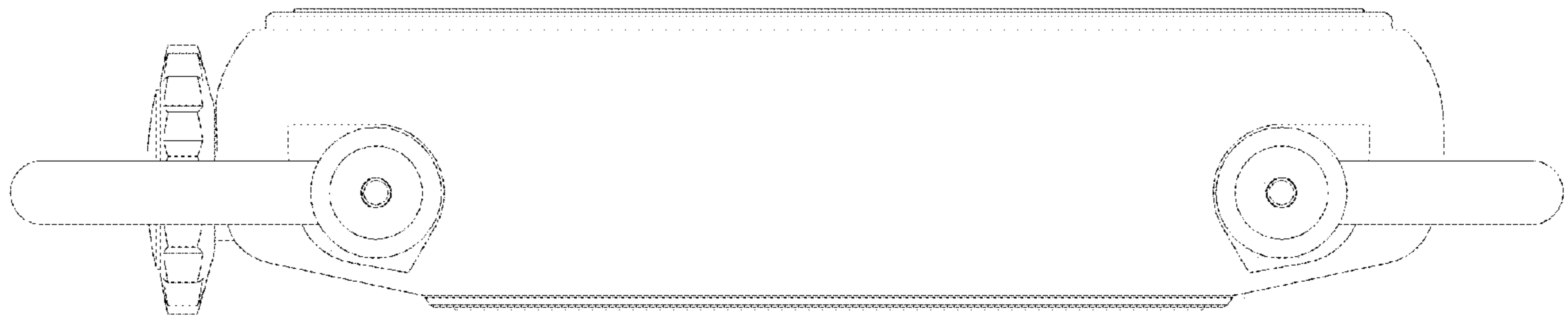


Fig. 4



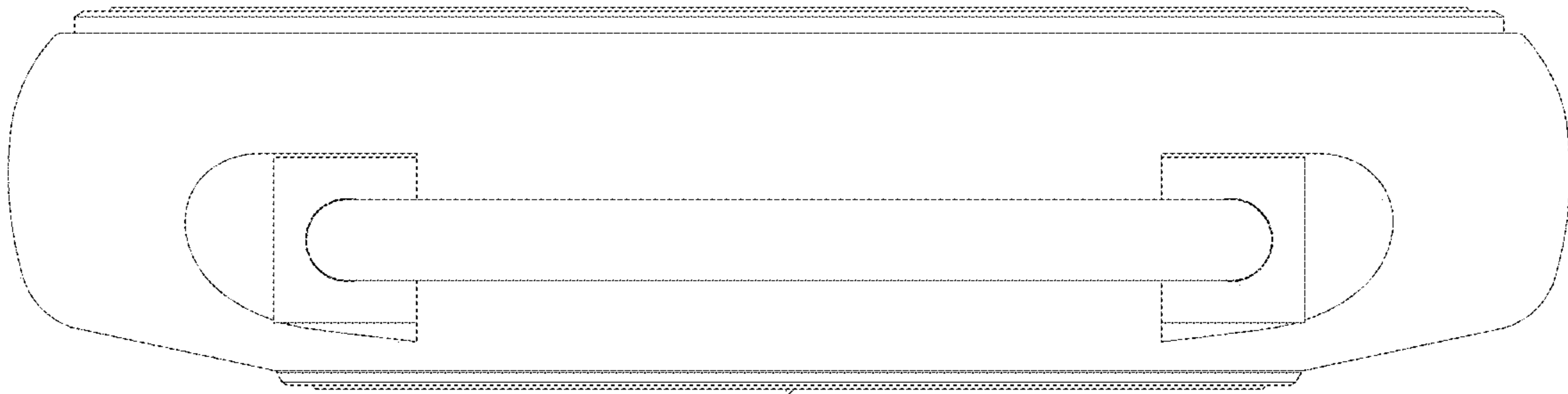


Fig. 5

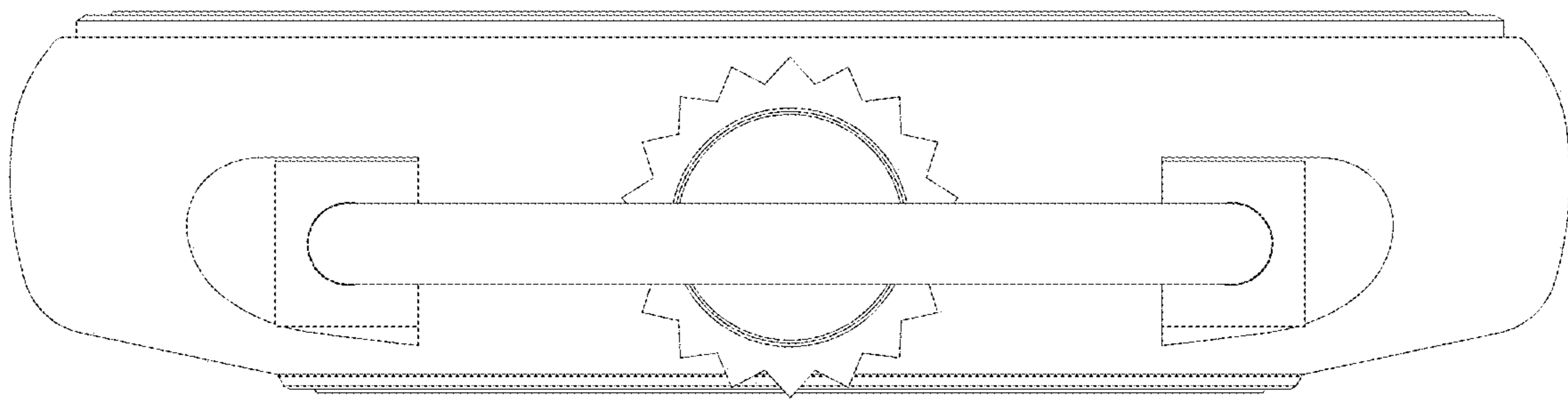


Fig. 6

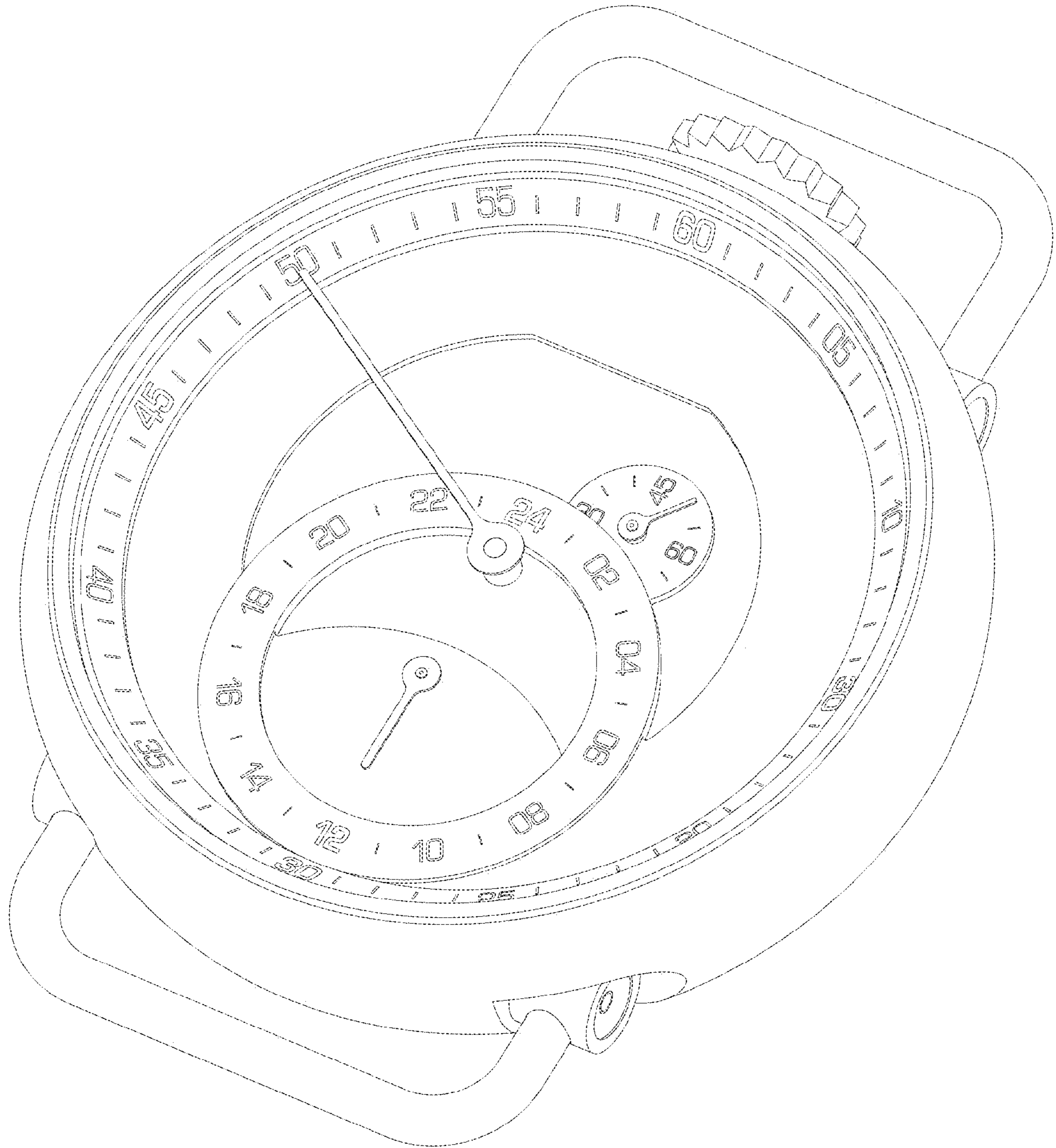


Fig. 7



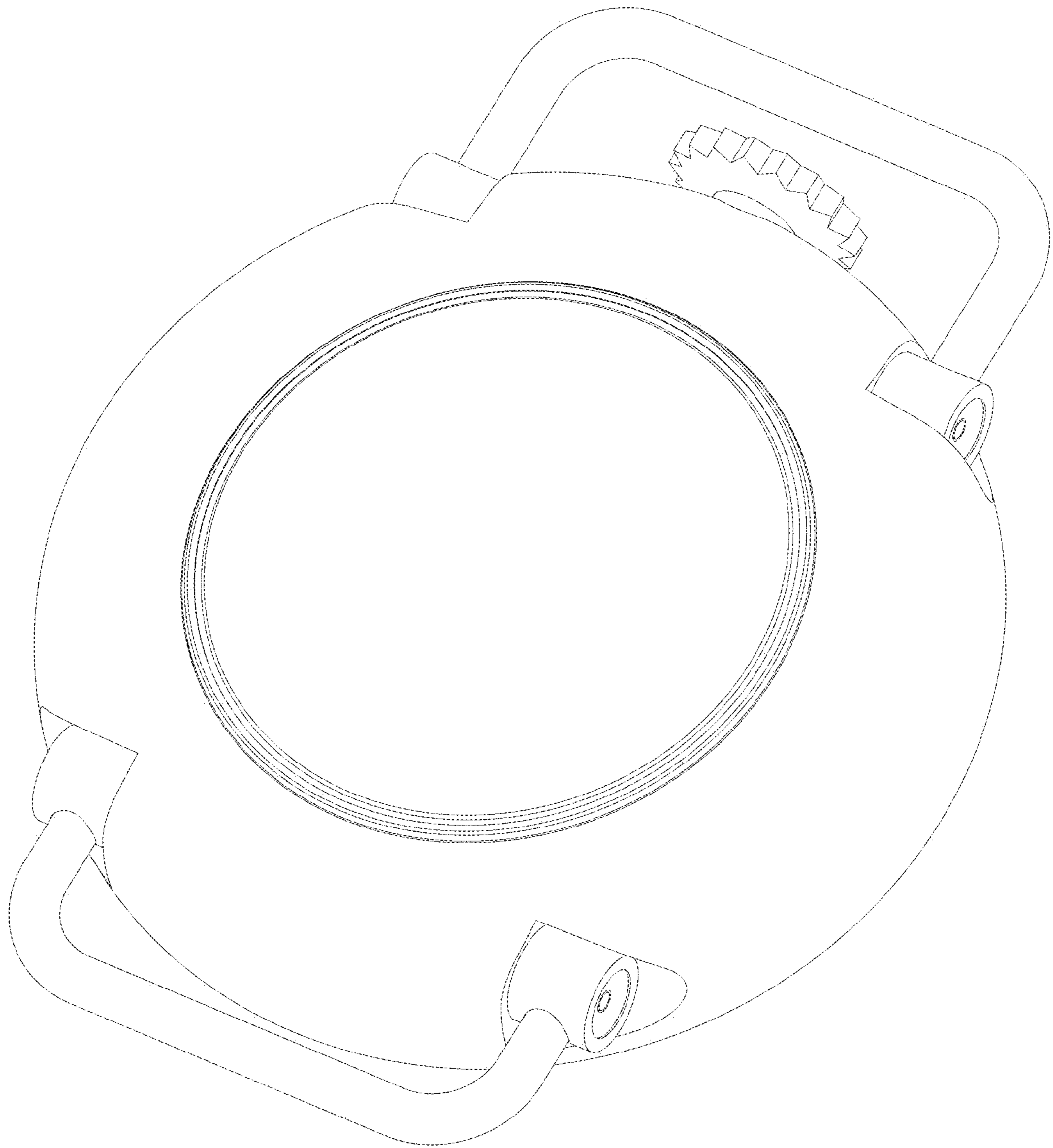


Fig. 8